



US00D851055S

(12) **United States Design Patent**
Woensdregt

(10) **Patent No.:** **US D851,055 S**
(45) **Date of Patent:** **** Jun. 11, 2019**

(54) **INTERCOMMUNICATION DEVICE**
(71) Applicant: **Robert Bosch GmbH**, Stuttgart (DE)
(72) Inventor: **Maarten Woensdregt**, Eindhoven (NL)
(73) Assignee: **Robert Bosch GmbH**, Stuttgart (DE)
(**) Term: **15 Years**

D534,151 S * 12/2006 Marquez D14/158
D651,192 S * 12/2011 Timmer D14/159
D715,778 S * 10/2014 Yilin D14/227
D718,748 S * 12/2014 Pan D14/159
D729,779 S * 5/2015 Cavero D14/227
D761,234 S * 7/2016 Aglassinger D14/226
D831,621 S * 10/2018 Ito D14/227
2003/0134666 A1 * 7/2003 Fletcher H04M 1/725
455/575.2

(21) Appl. No.: **29/630,957**
(22) Filed: **Dec. 26, 2017**

* cited by examiner

Primary Examiner — Austin Murphy
(74) *Attorney, Agent, or Firm* — Maginot, Moore & Beck
LLP

(30) **Foreign Application Priority Data**
Jun. 29, 2017 (EM) 004074516

(57) **CLAIM**

The ornamental design for an intercommunication device, as shown and described.

(51) **LOC (11) Cl.** **14-02**
(52) **U.S. Cl.**
USPC **D14/159**

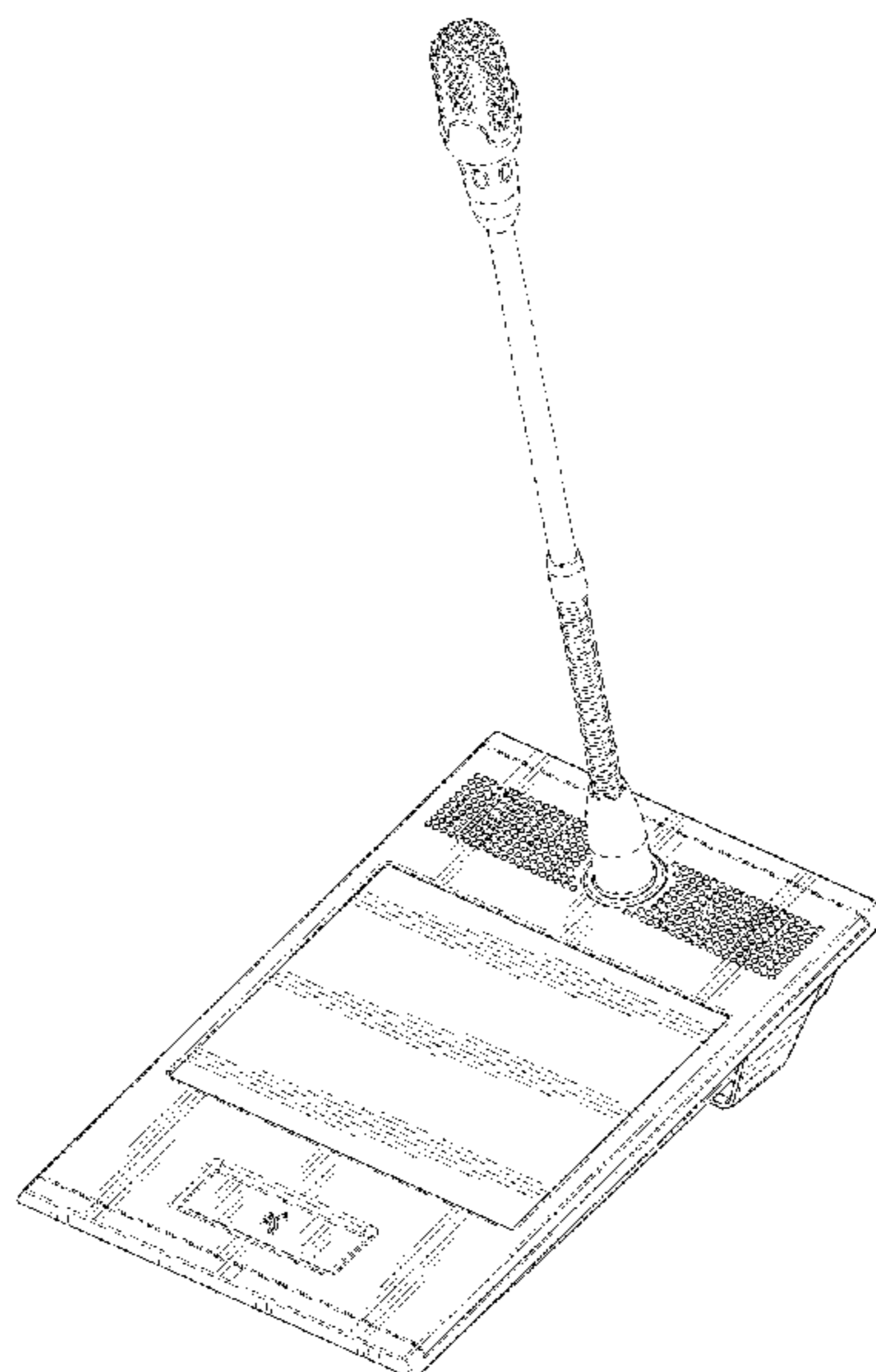
DESCRIPTION

(58) **Field of Classification Search**
USPC D14/240, 242, 356, 358, 363, 365, 367,
D14/370, 432–437, 439, 498, 125, 366,
D14/168, 496; D13/147, 164, 123, 133,
D13/146, 110, 199, 103, 162, 159, 160,
D13/184; 361/683, 684, 686, 724, 735,
361/737, 752; D18/40
CPC H01R 25/006; H01R 27/02; H01R 31/005;
G06F 13/4022; G06F 13/382; G06F
1/1632; G06F 1/1684; G06F 1/20; G06F
1/1607
See application file for complete search history.

FIG. 1 is a perspective view of an intercommunication device showing my new design;
FIG. 2 is a right side elevational view of the intercommunication device of FIG. 1;
FIG. 3 is a left side elevational view of the intercommunication device of FIG. 1;
FIG. 4 is a front elevational view of the intercommunication device of FIG. 1;
FIG. 5 is a rear elevational view of the intercommunication device of FIG. 1;
FIG. 6 is a top plan view of the intercommunication device of FIG. 1; and,
FIG. 7 is a bottom plan view of the intercommunication device of FIG. 1.
The broken lines shown in the drawings illustrate portions of the intercommunication device that form no part of the claimed design.

(56) **References Cited**
U.S. PATENT DOCUMENTS
D450,308 S * 11/2001 Benders D14/149
D493,441 S * 7/2004 Sabick D14/149
D494,152 S * 8/2004 Sabick D14/149

1 Claim, 7 Drawing Sheets



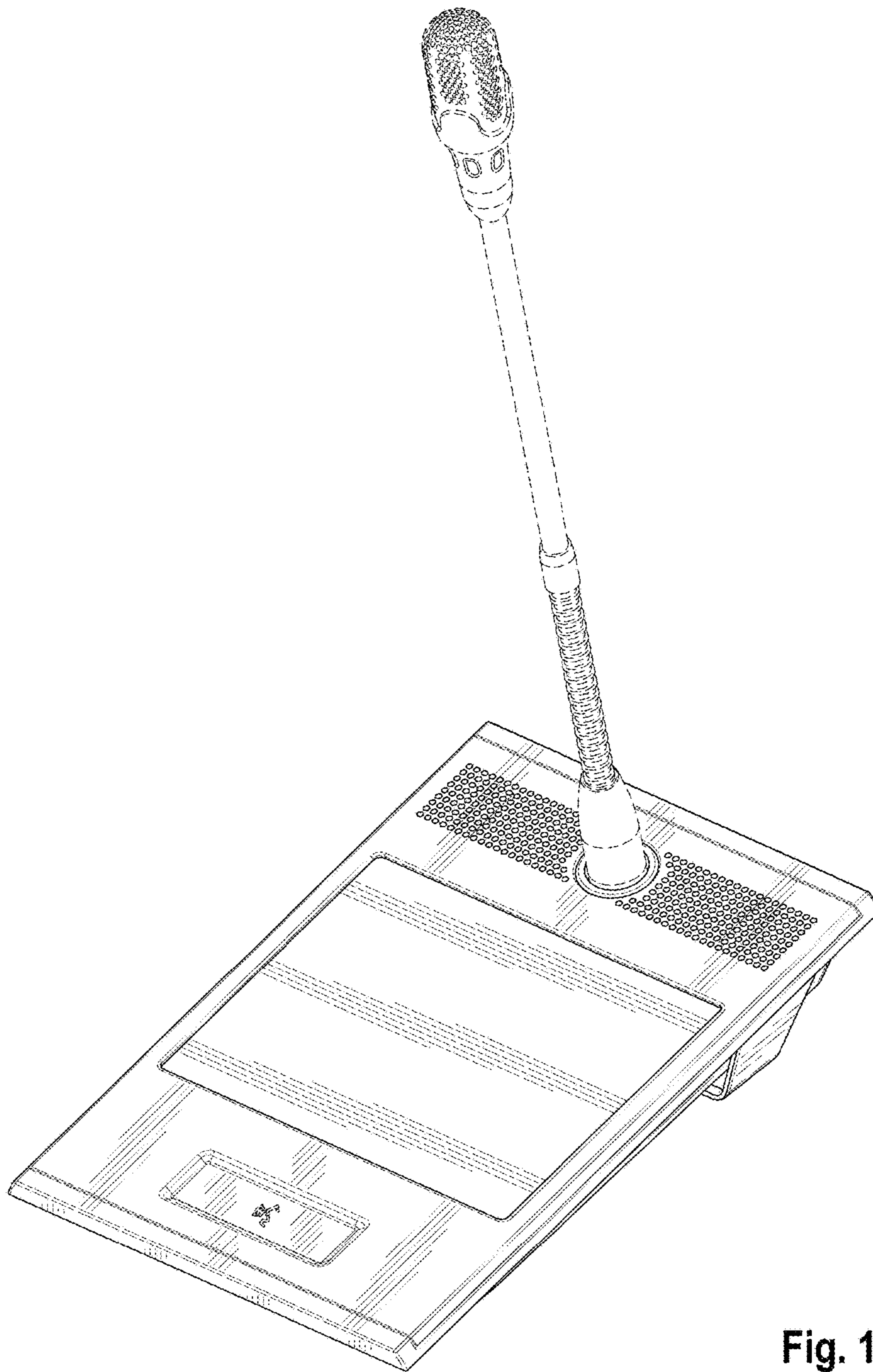


Fig. 1

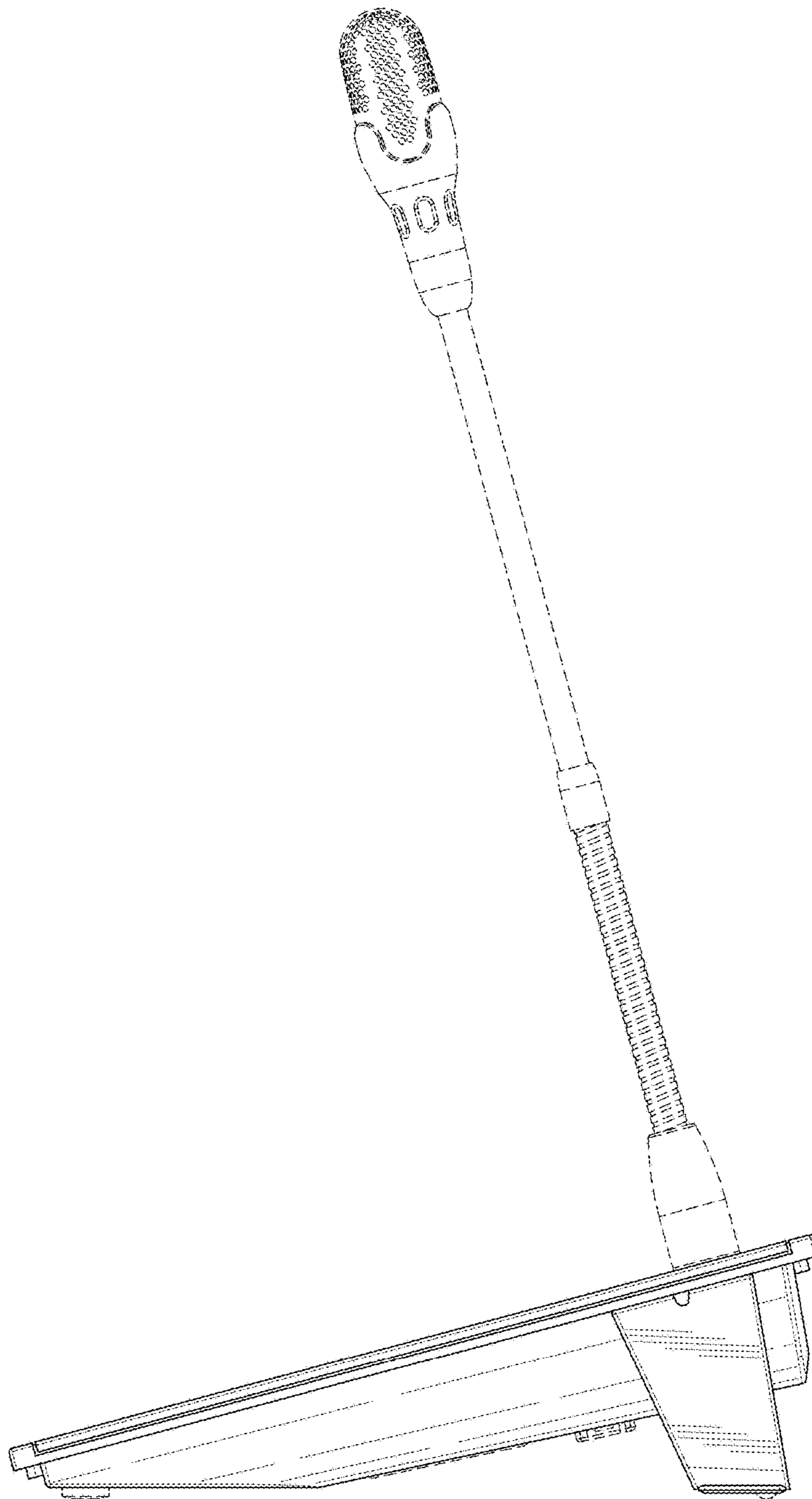


Fig. 2

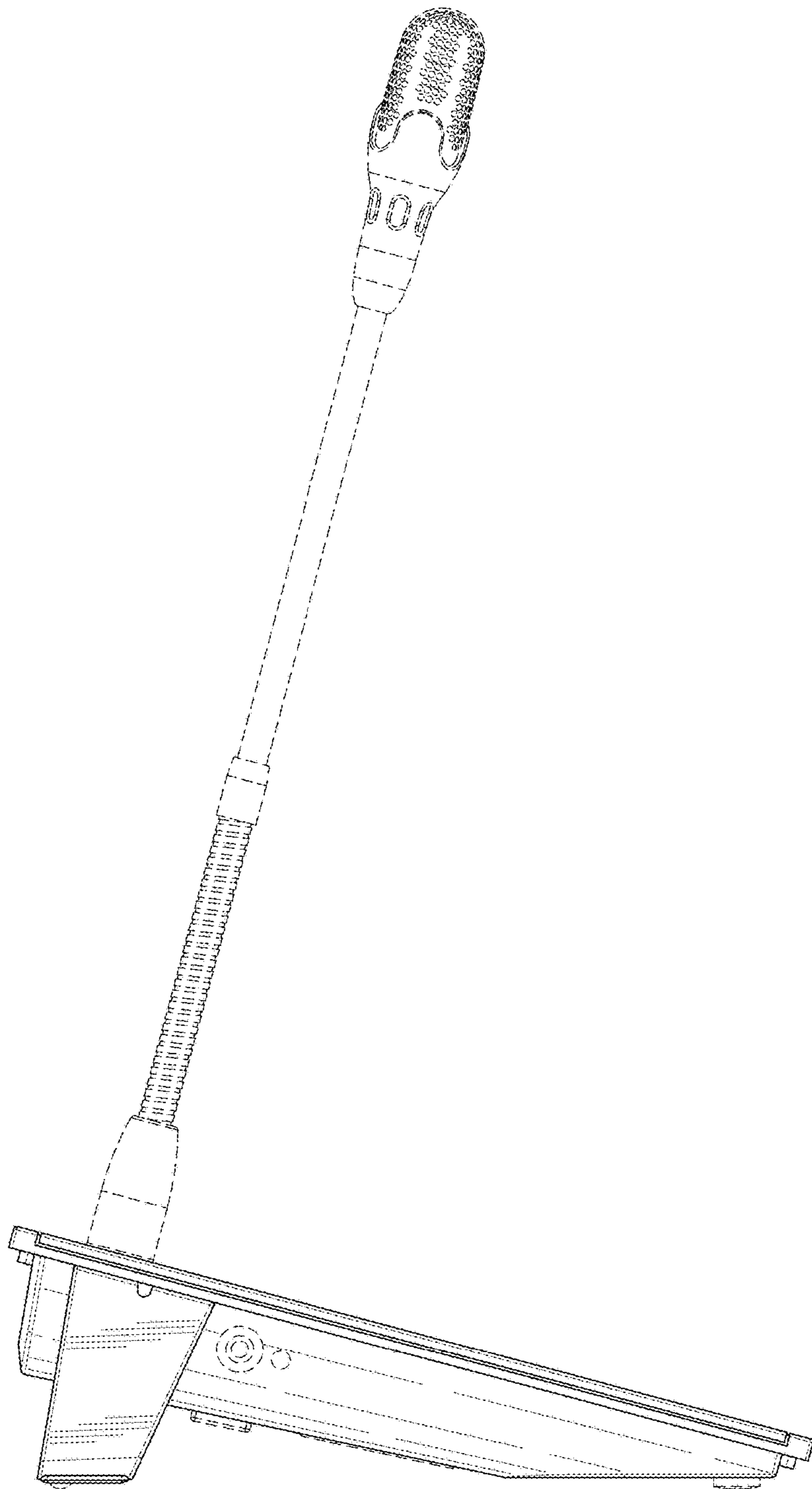


Fig. 3

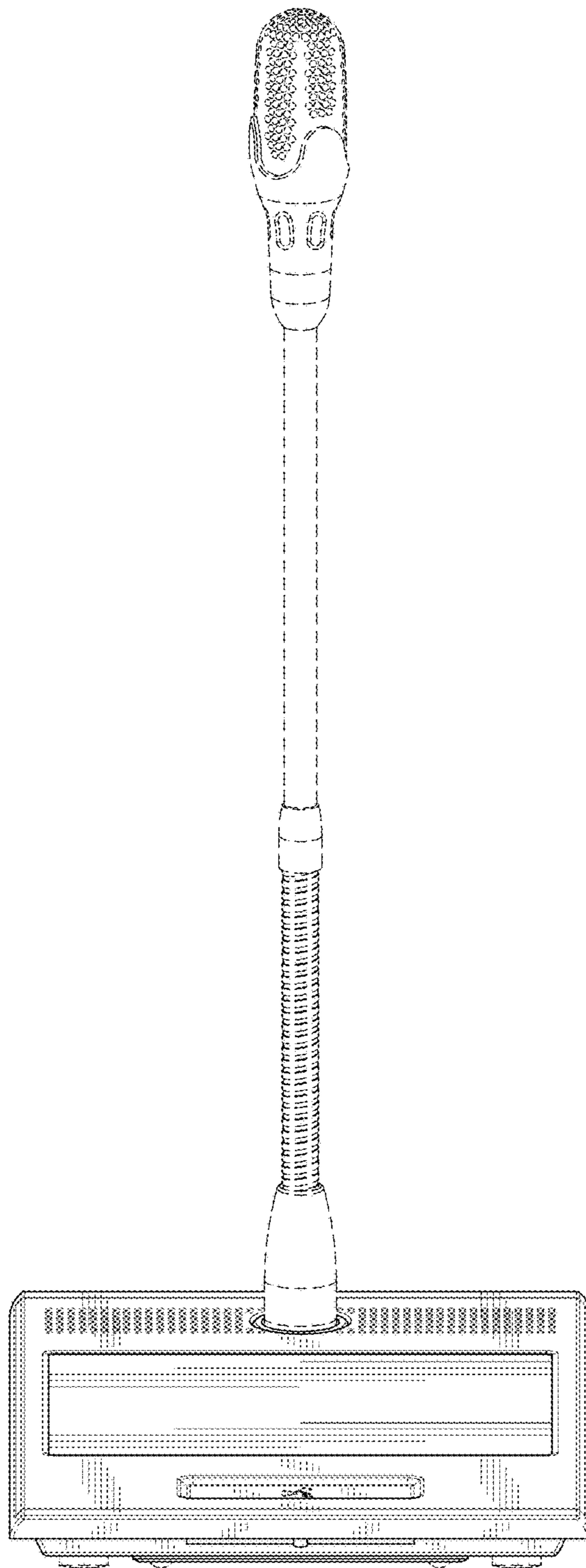


Fig. 4

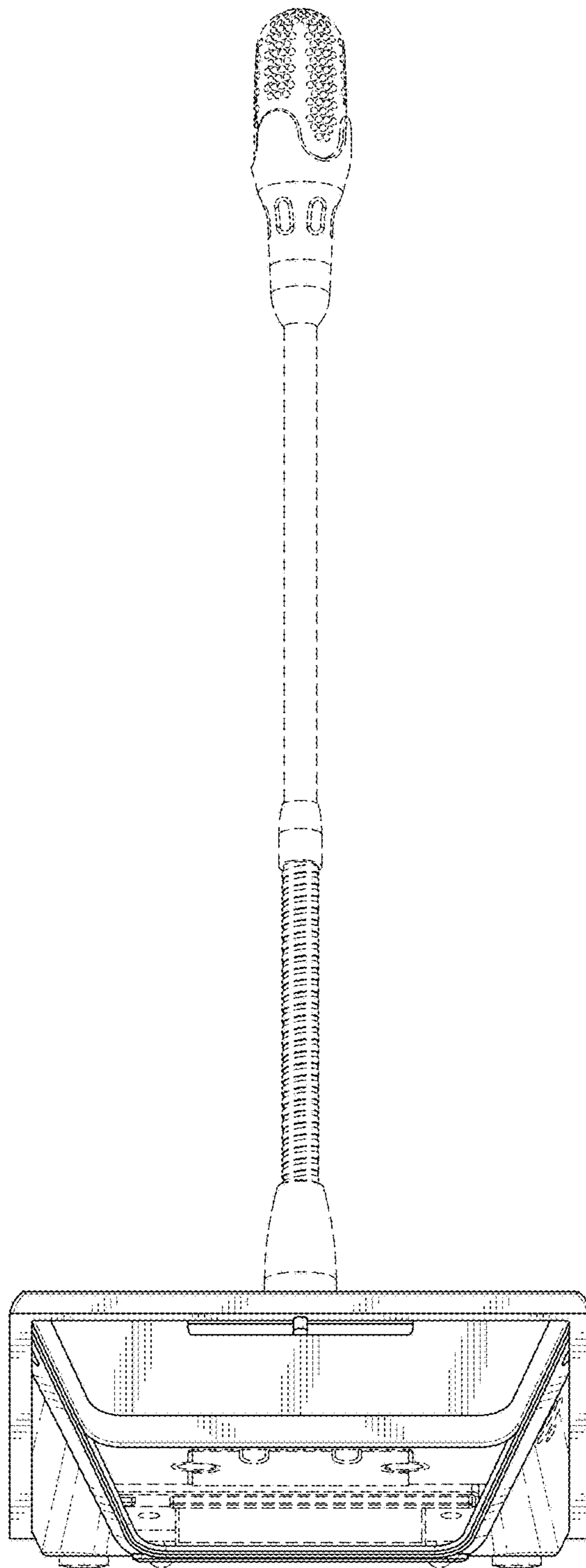


Fig. 5

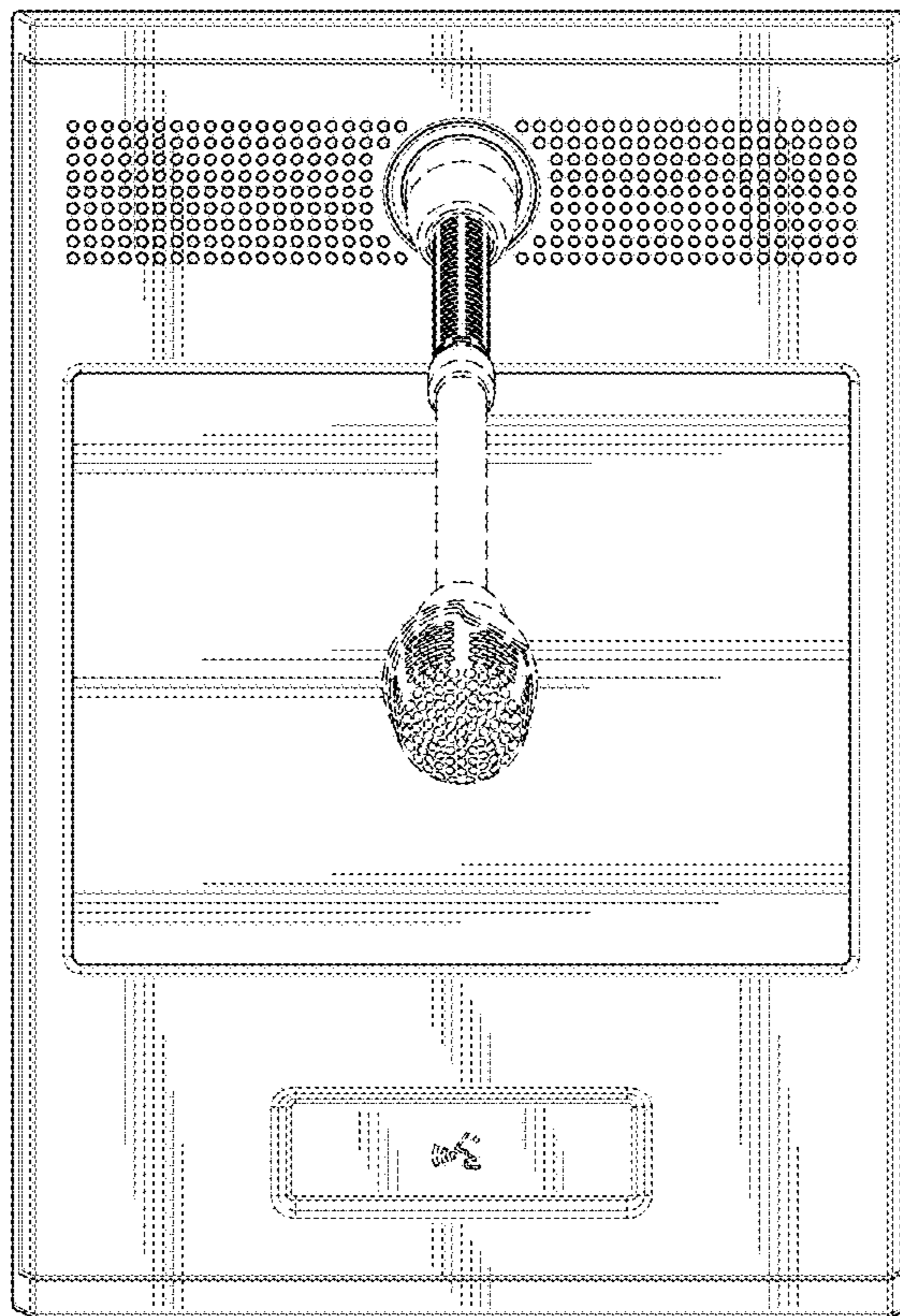


Fig. 6

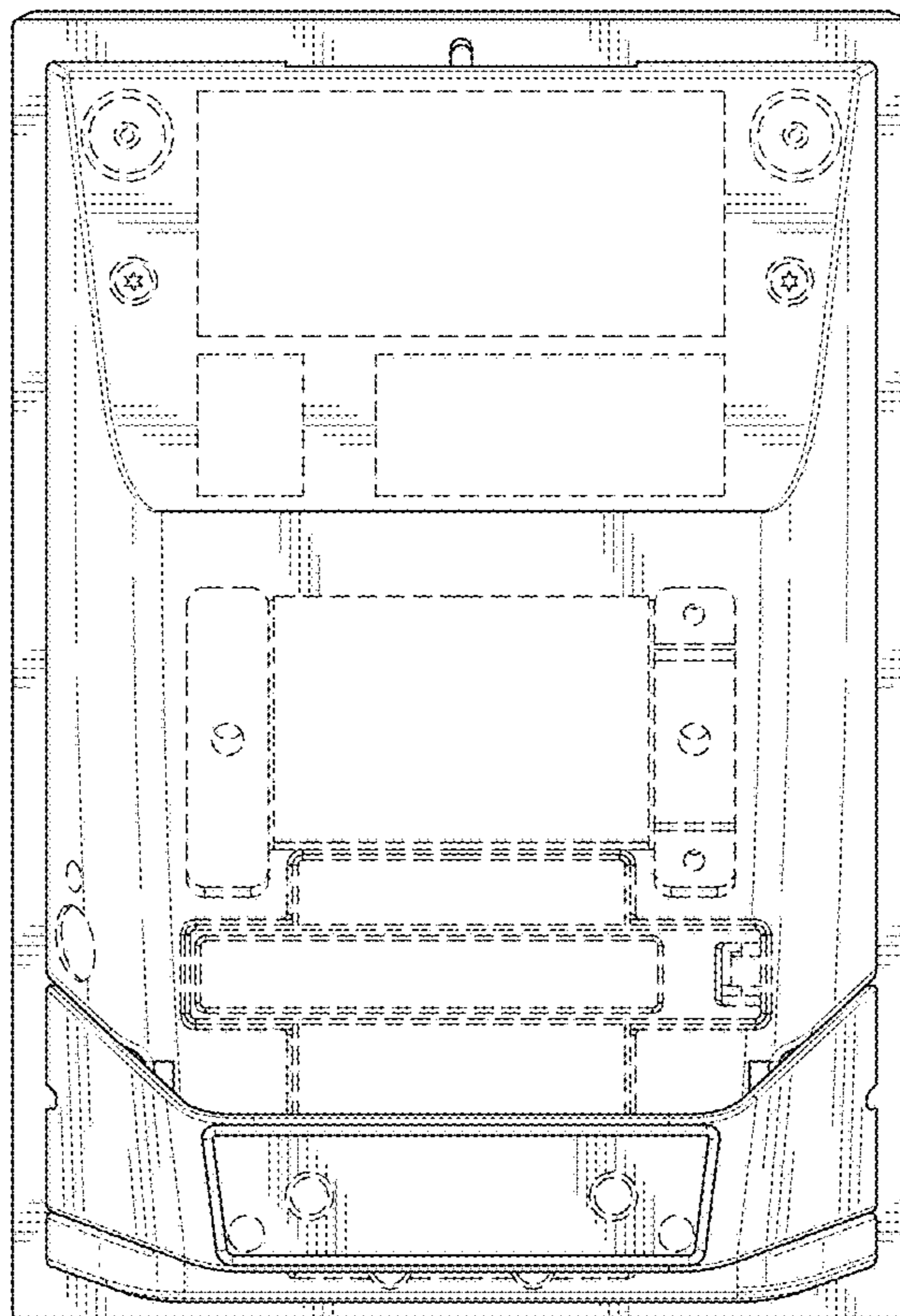


Fig. 7