



US00D851052S

(12) **United States Design Patent** (10) **Patent No.:** **US D851,052 S**  
**Wilcox et al.** (45) **Date of Patent:** **\*\* \*Jun. 11, 2019**

(54) **FIBER OPTIC CLOSURE WITH SURFACE ORNAMENTATION**  
(71) Applicant: **Corning Optical Communications LLC**, Hickory, NC (US)  
(72) Inventors: **Dayne Wilcox**, Menlo Park, CA (US); **Lea Kobeli**, San Francisco, CA (US); **Marie Noury**, Croix (FR); **Marcelle Van Beusekom**, San Francisco, CA (US)

(73) Assignee: **Corning Optical Communications LLC**, Hickory, NC (US)

(\*) Notice: This patent is subject to a terminal disclaimer.

(\*\*) Term: **15 Years**

(21) Appl. No.: **29/551,700**

(22) Filed: **Jan. 15, 2016**

(51) **LOC (11) Cl.** ..... **13-03**

(52) **U.S. Cl.**  
USPC ..... **D13/184**

(58) **Field of Classification Search**  
USPC ..... D13/184, 131, 132, 133; D14/353, 441, D14/440, 444, 181; 385/135  
CPC ..... G02B 6/4463; G02B 6/443; G02B 6/44  
See application file for complete search history.

(56) **References Cited**

**U.S. PATENT DOCUMENTS**

2,344,302	A *	3/1944	Harza	.....	E02B 3/14
					405/16
4,362,432	A *	12/1982	Conover	.....	E02B 3/06
					405/33
4,458,936	A *	7/1984	Mulholland	.....	B62D 35/001
					296/180.4
D433,418	S *	11/2000	Newman	.....	D14/444
D436,945	S *	1/2001	Tanaka	.....	D14/214
D450,686	S	11/2001	Beaumont et al.		

D451,479	S	12/2001	Bateson et al.		
6,467,833	B1 *	10/2002	Travers	.....	B62D 35/004
					296/180.1
D476,764	S	7/2003	Khovaylo et al.		
D484,469	S	12/2003	Thibault		
D507,546	S	7/2005	Fairfull		
D528,537	S *	9/2006	Wang	.....	D14/230
D533,510	S	12/2006	Guercio		
D549,663	S	8/2007	Tsou et al.		
7,346,253	B2 *	3/2008	Bloodworth	.....	G02B 6/4453
					385/134

(Continued)

**OTHER PUBLICATIONS**

Corning Inc., "OptiSheath® Sealed Terminal, UCA Series," [http://catalog.corning.com/opcomm/en-US/catalog/MasterProduct.aspx?cid=OptiSheath\\_Sealed\\_Terminal\\_UCA\\_Series\\_web&pid=25657&context=;CCS\\_Global\\_Web\\_Catalog;fiber\\_optic\\_closures\\_web;&rot=fiber\\_optic\\_closures\\_web](http://catalog.corning.com/opcomm/en-US/catalog/MasterProduct.aspx?cid=OptiSheath_Sealed_Terminal_UCA_Series_web&pid=25657&context=;CCS_Global_Web_Catalog;fiber_optic_closures_web;&rot=fiber_optic_closures_web), accessed Apr. 19, 2016.

*Primary Examiner* — Janice Hallmark

*Assistant Examiner* — Harold E Blackwell, II

(74) *Attorney, Agent, or Firm* — Tamika A. Crawl-Bey

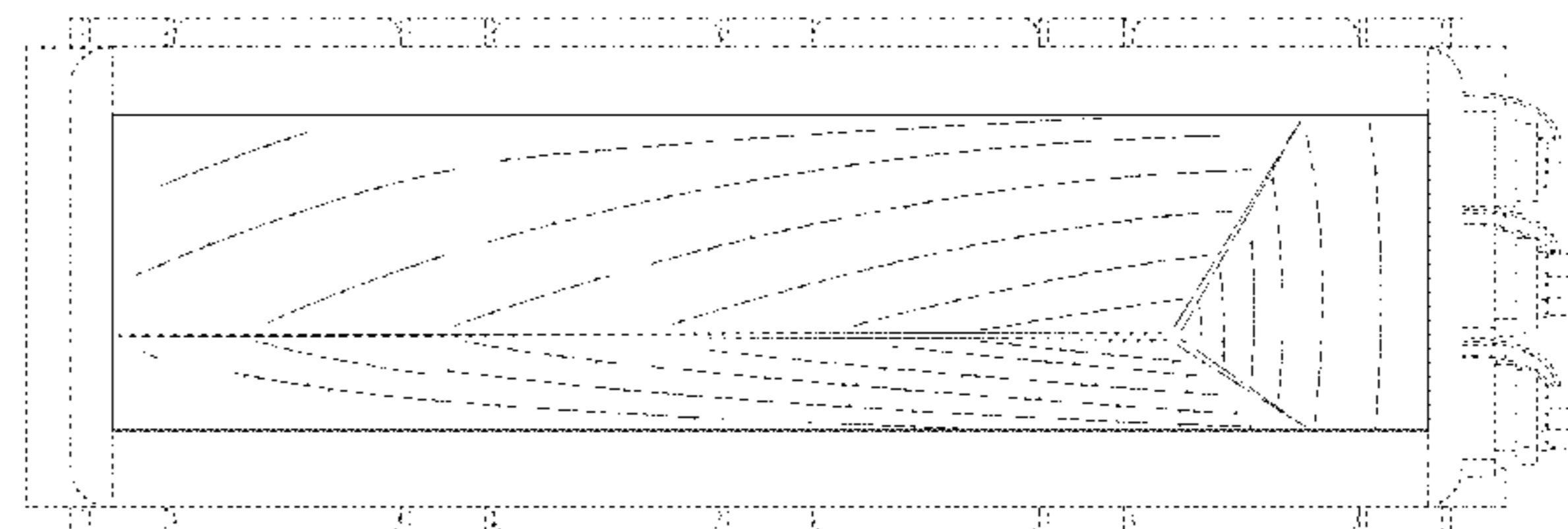
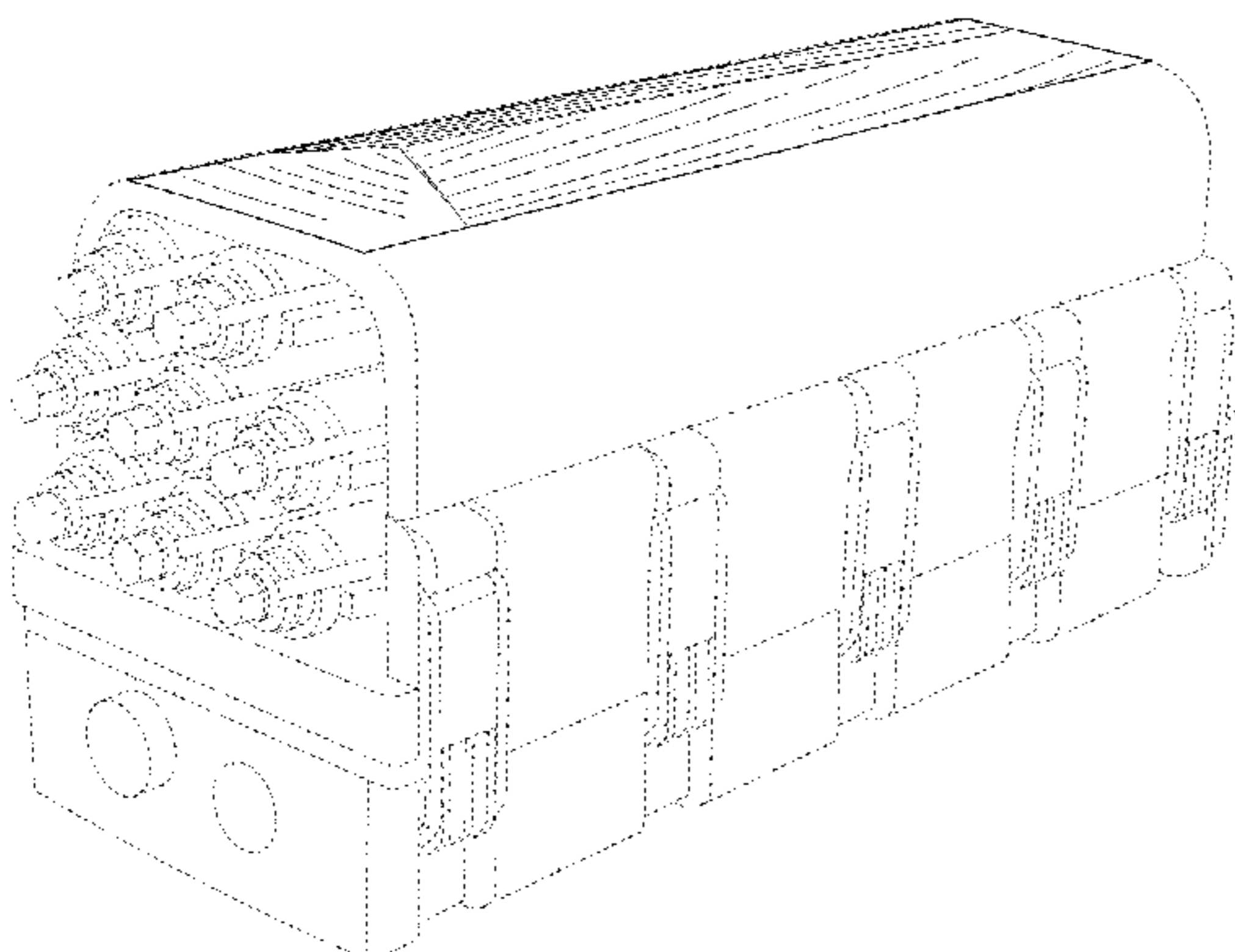
(57) **CLAIM**

The ornamental design for a fiber optic closure with surface ornamentation, as shown and described.

**DESCRIPTION**

FIG. 1 is a front perspective view of a fiber optic closure with surface ornamentation illustrating our new design; FIG. 2 is a top view thereof; FIG. 3 is a bottom view thereof; FIG. 4 is a left view thereof; FIG. 5 is a right view thereof; FIG. 6 is a front view thereof; and, FIG. 7 is a rear view thereof. The broken lines immediately adjacent the surface ornamentation represent the bounds of the claimed design while all other broken lines are directed to the environment, which form no part of the claimed design.

**1 Claim, 6 Drawing Sheets**



(56)

**References Cited**

## U.S. PATENT DOCUMENTS

D571,736 S	6/2008	Copeland et al.	
D595,292 S *	6/2009	Harden .....	D14/240
D604,725 S	11/2009	Chen	
D620,898 S	8/2010	Wang	
D625,719 S	10/2010	Carroll et al.	
D631,448 S	1/2011	Wang	
D636,333 S	4/2011	Kulikowski	
D637,162 S *	5/2011	Bridgman .....	D13/152
D644,185 S	8/2011	Hargreaves	
D674,785 S *	1/2013	Kyriakides, II .....	D14/240
D688,657 S	8/2013	Hallar et al.	
D718,727 S	12/2014	Burek et al.	
D732,041 S	6/2015	Conn et al.	
D782,536 S *	3/2017	Chu .....	D14/203.3
D791,774 S *	7/2017	Wilcox .....	D14/444
D795,079 S *	8/2017	Wilcox .....	D9/703
D802,415 S *	11/2017	Wilcox .....	D9/432
D815,642 S *	4/2018	Wilcox .....	D14/441
D818,952 S *	5/2018	Wilcox .....	D13/110
D821,325 S *	6/2018	Duran .....	D13/124
D824,333 S *	7/2018	Wilcox .....	D13/133
D824,335 S *	7/2018	Wilcox .....	D13/147
D824,337 S *	7/2018	Wilcox .....	D13/147
D825,466 S *	8/2018	Wilcox .....	D13/133

\* cited by examiner

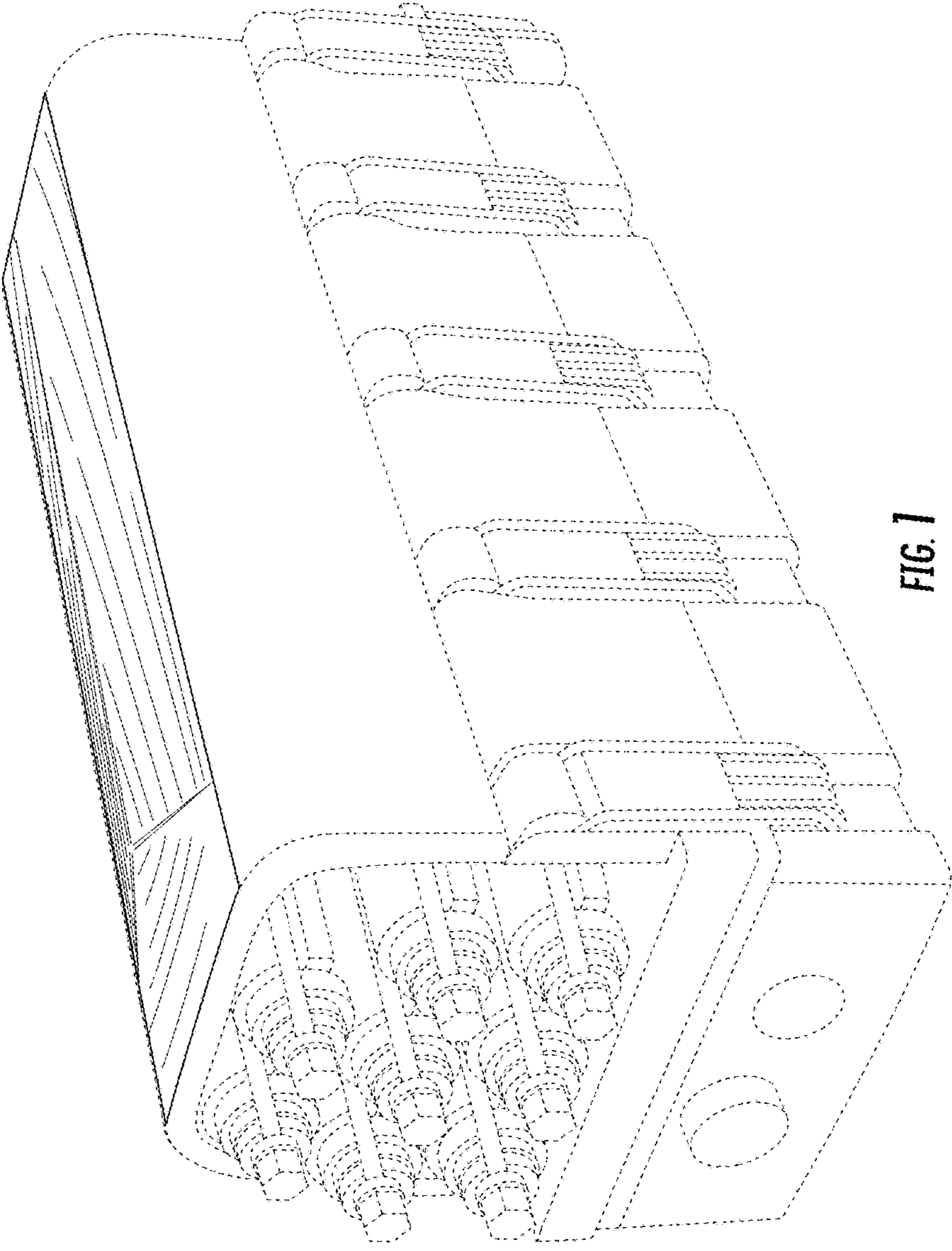


FIG. 1

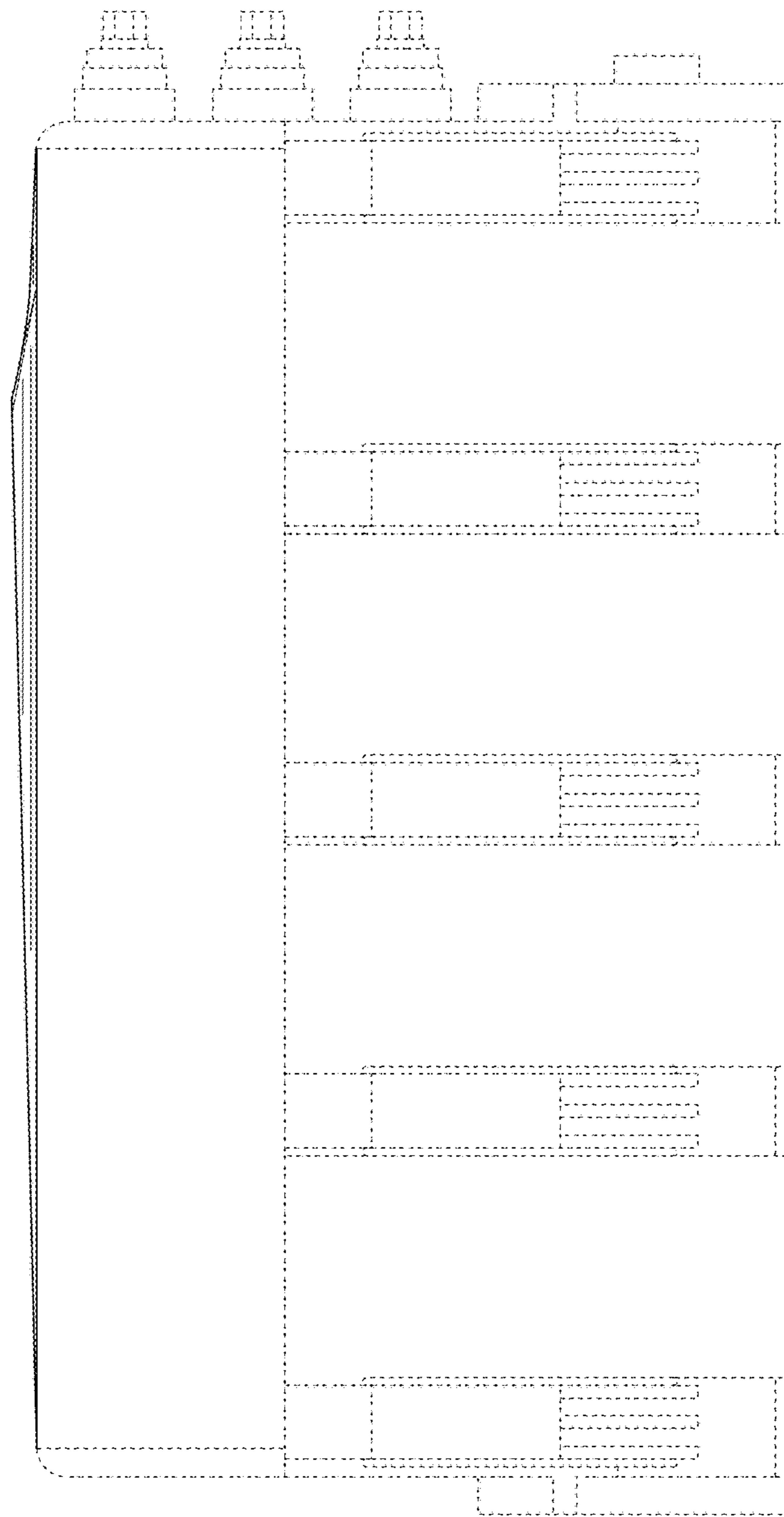


FIG. 2

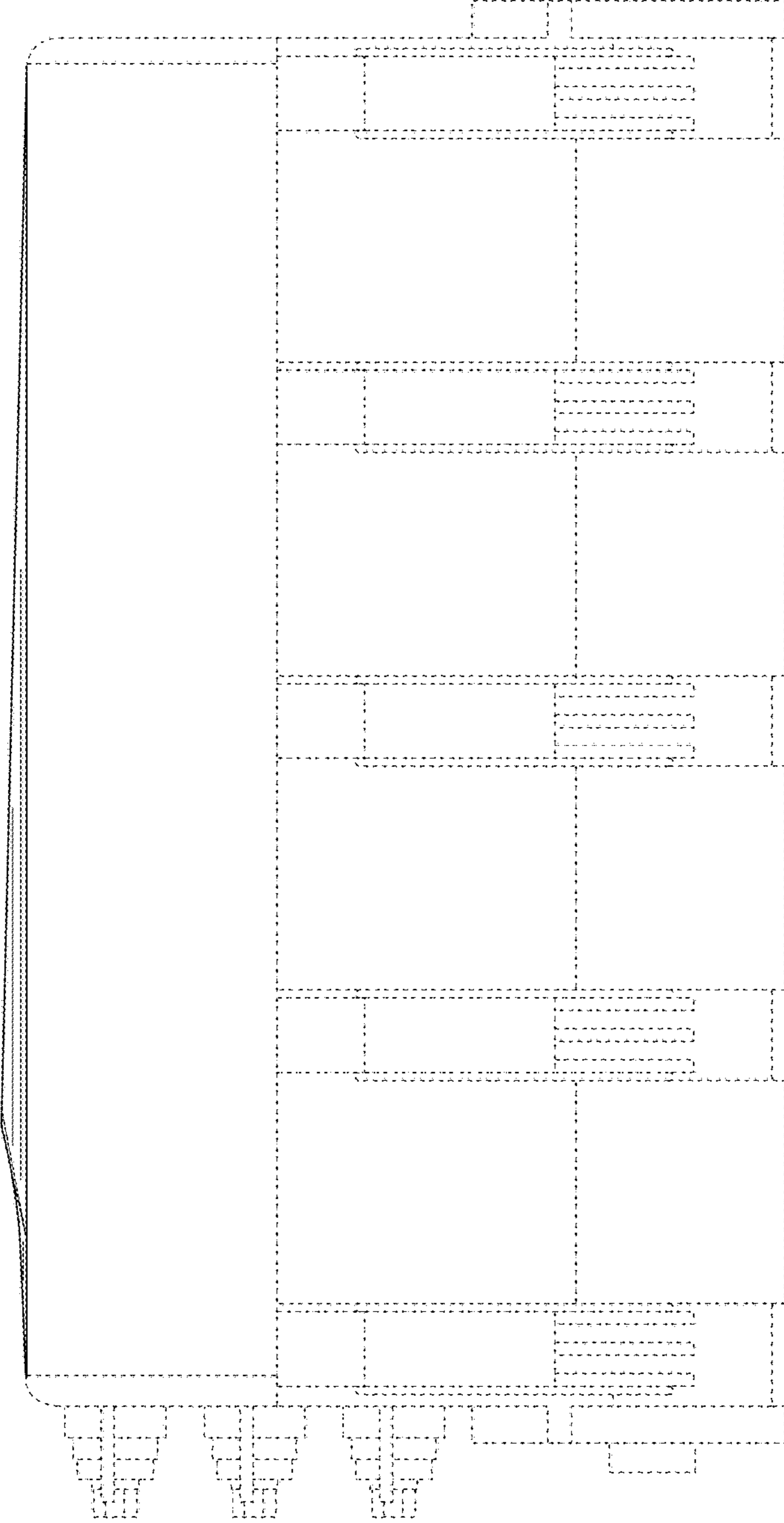


FIG. 3



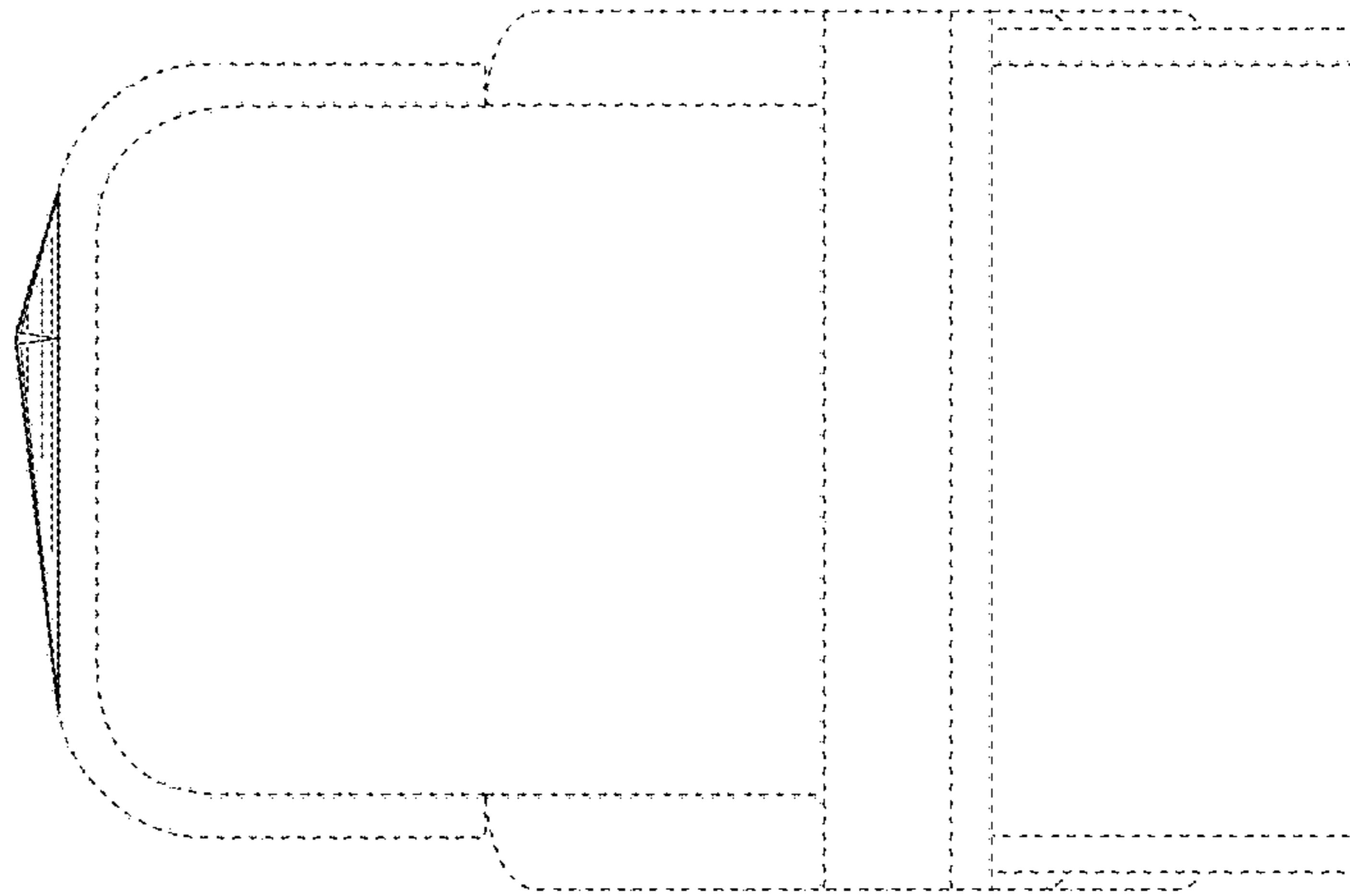


FIG. 5

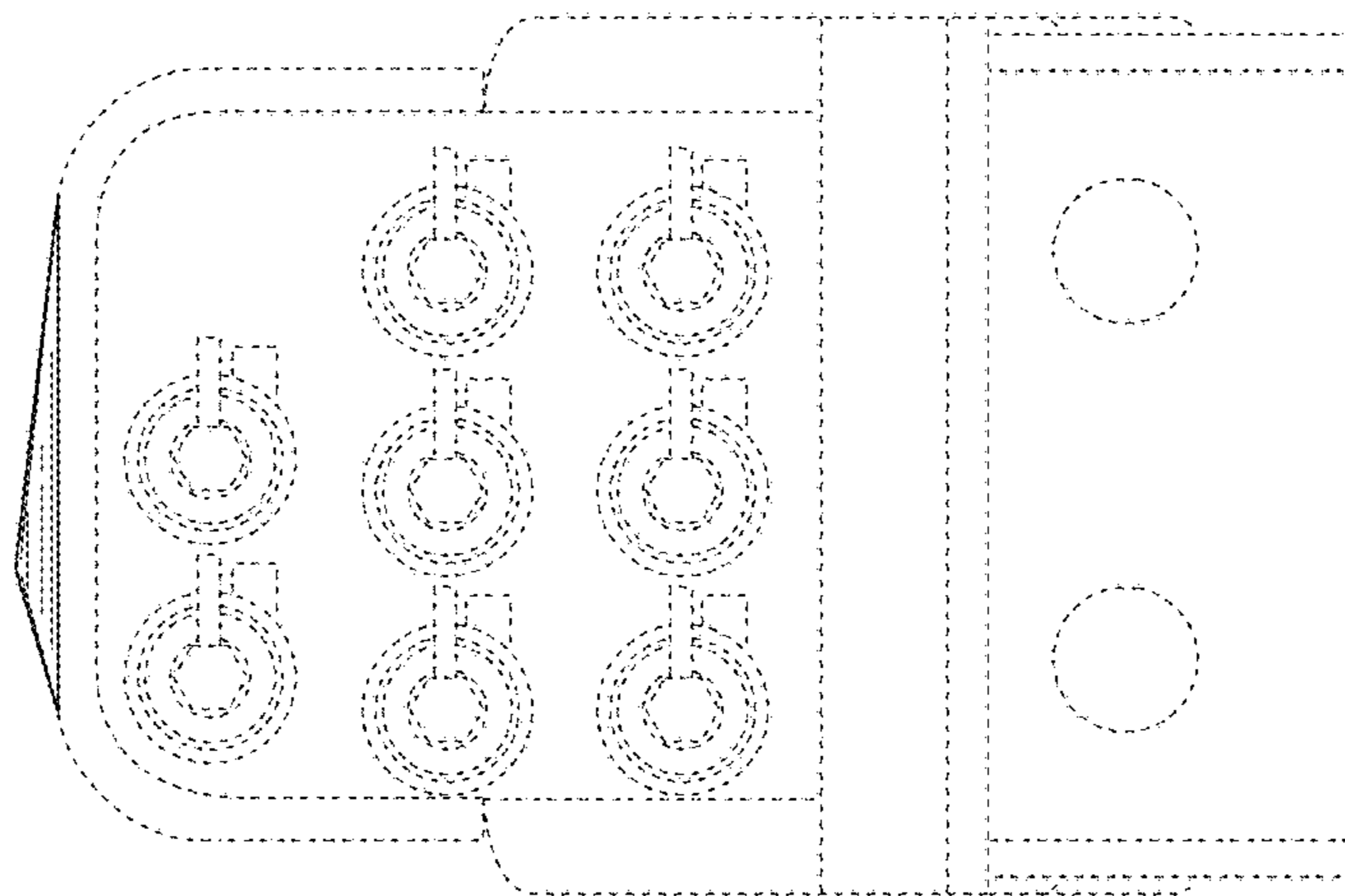


FIG. 4

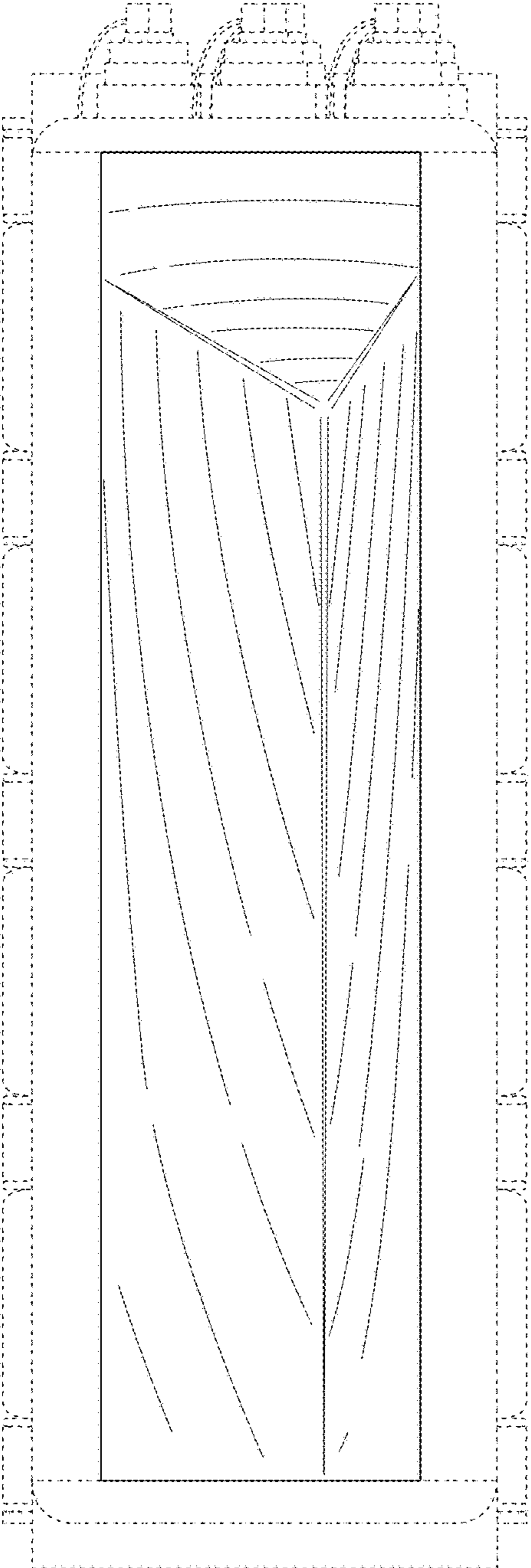


FIG. 6

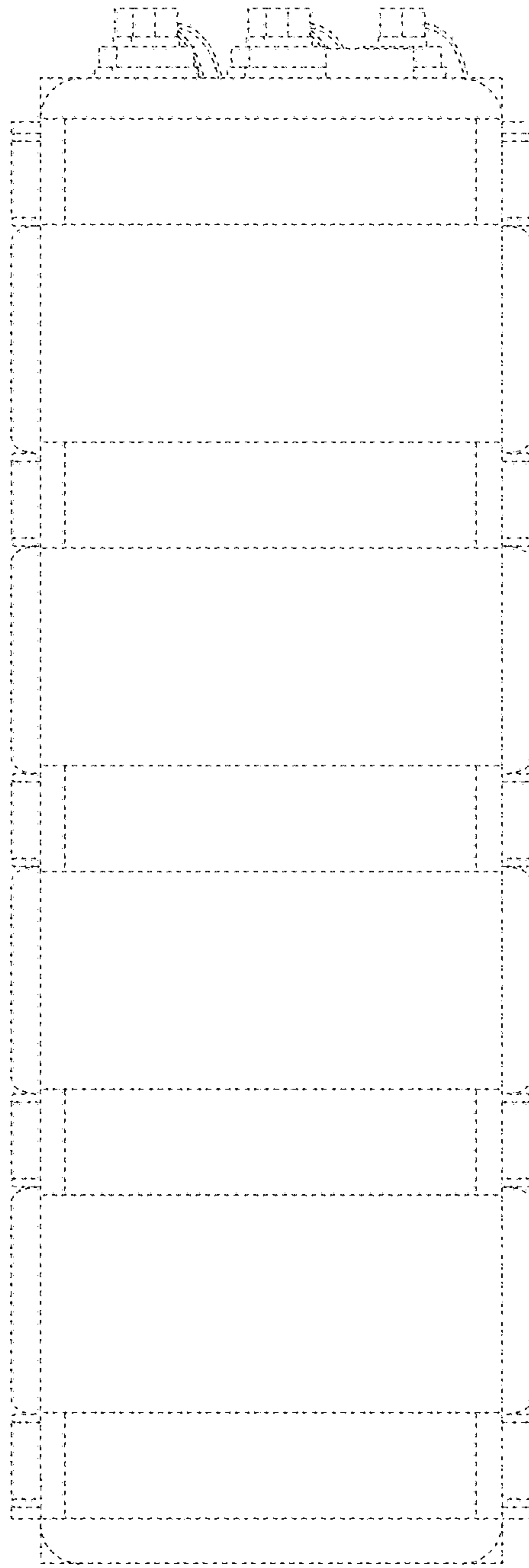


FIG. 7