



US00D851050S

(12) **United States Design Patent**  
**Maetani et al.**

(10) **Patent No.:** **US D851,050 S**  
(45) **Date of Patent:** **\*\* Jun. 11, 2019**

(54) **REMOTE CONTROLLER FOR AIR CONDITIONER**  
(71) Applicant: **Mitsubishi Electric Corporation,**  
Tokyo (JP)  
(72) Inventors: **Noriaki Maetani,** Tokyo (JP); **Yusuke Yokosuka,** Tokyo (JP); **Yuko Fujikawa,** Tokyo (JP)  
(73) Assignee: **Mitsubishi Electric Corporation,**  
Tokyo (JP)  
(\*\*) Term: **15 Years**  
(21) Appl. No.: **29/630,710**

1,144,487 A \* 6/1915 McGinley ..... G09B 19/02  
434/203  
3,885,794 A \* 5/1975 Coffin ..... A63F 9/12  
273/160  
D307,452 S \* 4/1990 Laubscher ..... D21/479  
5,205,747 A \* 4/1993 Tan ..... G06C 1/00  
434/203  
D339,996 S \* 10/1993 Rattley ..... D10/104.1  
D423,509 S \* 4/2000 Park ..... D14/218  
D509,534 S \* 9/2005 Suzuki ..... D14/248  
D546,295 S \* 7/2007 Marchetto ..... D13/168  
D587,756 S \* 3/2009 Rule ..... D19/62  
D606,519 S \* 12/2009 Painter ..... D14/218  
D614,145 S \* 4/2010 Arosio ..... D13/168  
D632,265 S \* 2/2011 Choi ..... D13/168  
D647,065 S \* 10/2011 Charleux ..... D13/168  
D673,512 S \* 1/2013 Huang ..... D13/168

(Continued)

(22) Filed: **Dec. 22, 2017**

*Primary Examiner* — Selina Sikder

(30) **Foreign Application Priority Data**

(74) *Attorney, Agent, or Firm* — Studebaker & Brackett PC

Jun. 28, 2017 (JP) ..... 2017-013881

(51) **LOC (11) Cl.** ..... **14-03**

(57) **CLAIM**

(52) **U.S. Cl.**

The ornamental design for a remote controller for air conditioner, as shown and described.

USPC ..... **D13/168**

(58) **Field of Classification Search**

**DESCRIPTION**

USPC ..... D13/162, 168; D10/49, 50; D14/218;  
D19/62, 64; D21/385, 386, 466, 468,  
D21/471, 475, 479, 480, 489, 504, 505  
CPC ..... G05D 23/1905; G05D 23/1932; G05D  
23/1902; G05D 23/1931; G05B 19/0426;  
G05B 19/409; G05B 15/02; G06F  
1/1601; G06F 3/041; G06F 3/044; G06F  
3/0482; G06F 3/0488; G06F 3/0489;  
G02F 1/33308; H01H 9/02; H05B 37/02

FIG. 1 is a front, top and right side perspective view of a remote controller for air conditioner showing our new design;

FIG. 2 is a front view thereof;

FIG. 3 is a top view thereof;

FIG. 4 is a bottom view thereof;

FIG. 5 is a left view thereof;

FIG. 6 is a right view thereof; and,

FIG. 7 is reference perspective view showing state in use thereof.

The parts shown in the broken lines do not form part of the claimed designs.

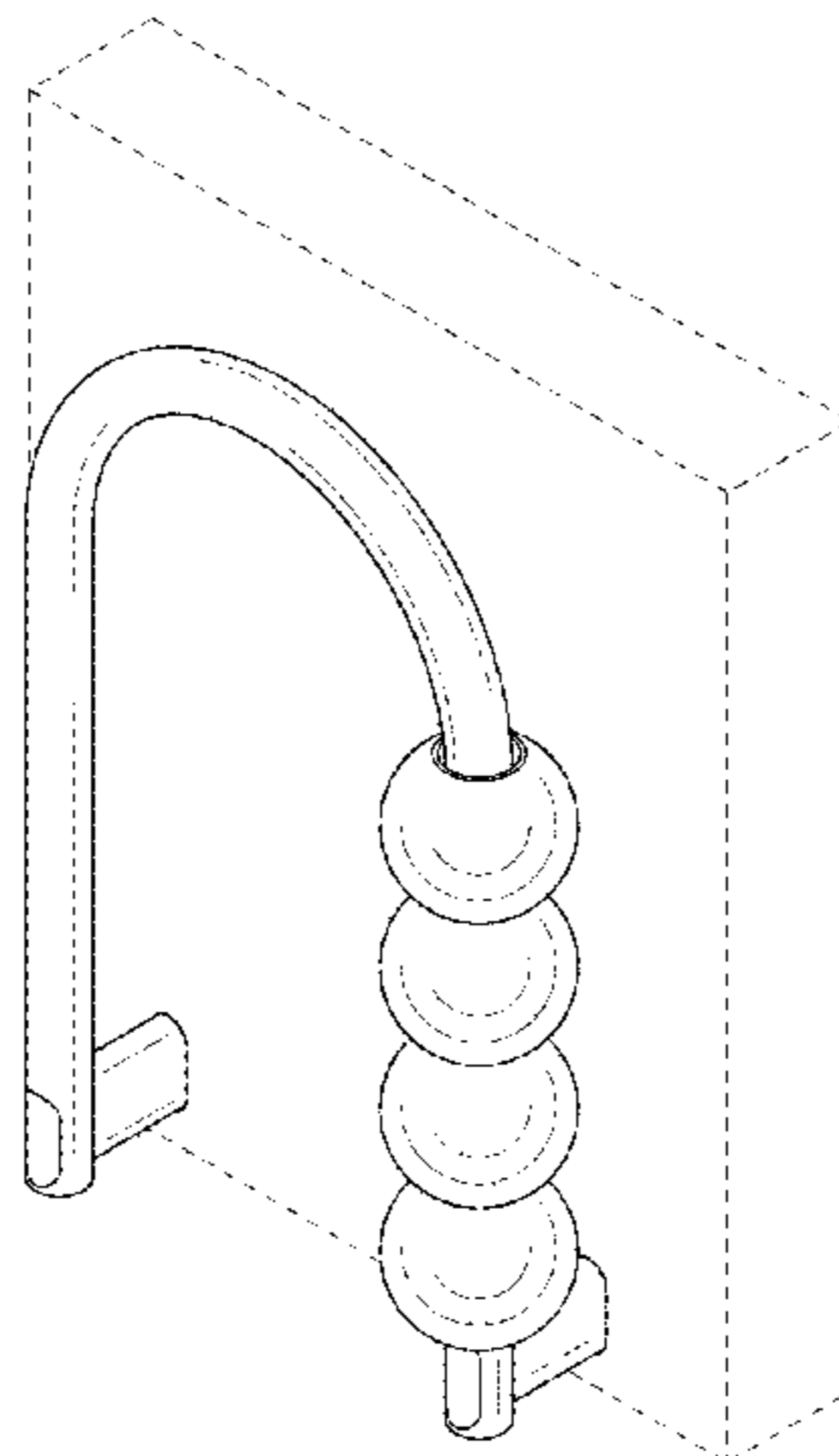
See application file for complete search history.

(56) **References Cited**

**U.S. PATENT DOCUMENTS**

985,253 A \* 2/1911 Lin et al. .... A63F 9/12  
273/160  
1,099,009 A \* 6/1914 Bennett ..... G09B 19/02  
434/203

**1 Claim, 5 Drawing Sheets**



(56)

**References Cited**

## U.S. PATENT DOCUMENTS

D674,441 S \* 1/2013 Rule ..... D19/62  
D701,841 S \* 4/2014 Huang ..... D13/168  
D717,743 S \* 11/2014 Larkin ..... D13/164  
D731,348 S \* 6/2015 Vangell ..... D11/11  
D740,236 S \* 10/2015 Terzoli ..... D13/168  
D758,217 S \* 6/2016 Kumfer ..... D10/50  
D763,204 S \* 8/2016 Ikegaya ..... D13/168  
D764,418 S \* 8/2016 Kashimoto ..... D13/168  
D764,419 S \* 8/2016 Kashimoto ..... D13/168  
D765,053 S \* 8/2016 Navarrete ..... D10/104.1  
9,423,114 B1 \* 8/2016 Malina ..... F21V 23/045  
D772,201 S \* 11/2016 Lepchenske ..... D14/218  
D781,246 S \* 3/2017 Zhang ..... D13/162  
D808,390 S \* 1/2018 Jordan ..... G06F 3/039  
D14/388  
D813,823 S \* 3/2018 Zhang ..... D13/162  
2007/0241929 A1 \* 10/2007 Marchetto ..... H01H 9/0235  
340/13.24  
2015/0204561 A1 \* 7/2015 Sadwick ..... F24F 11/006  
236/1 C  
2016/0178230 A1 \* 6/2016 Vendt ..... F24F 11/0086  
236/1 C  
2018/0147913 A1 \* 5/2018 Bergin ..... B60H 1/00364

\* cited by examiner

Fig. 1

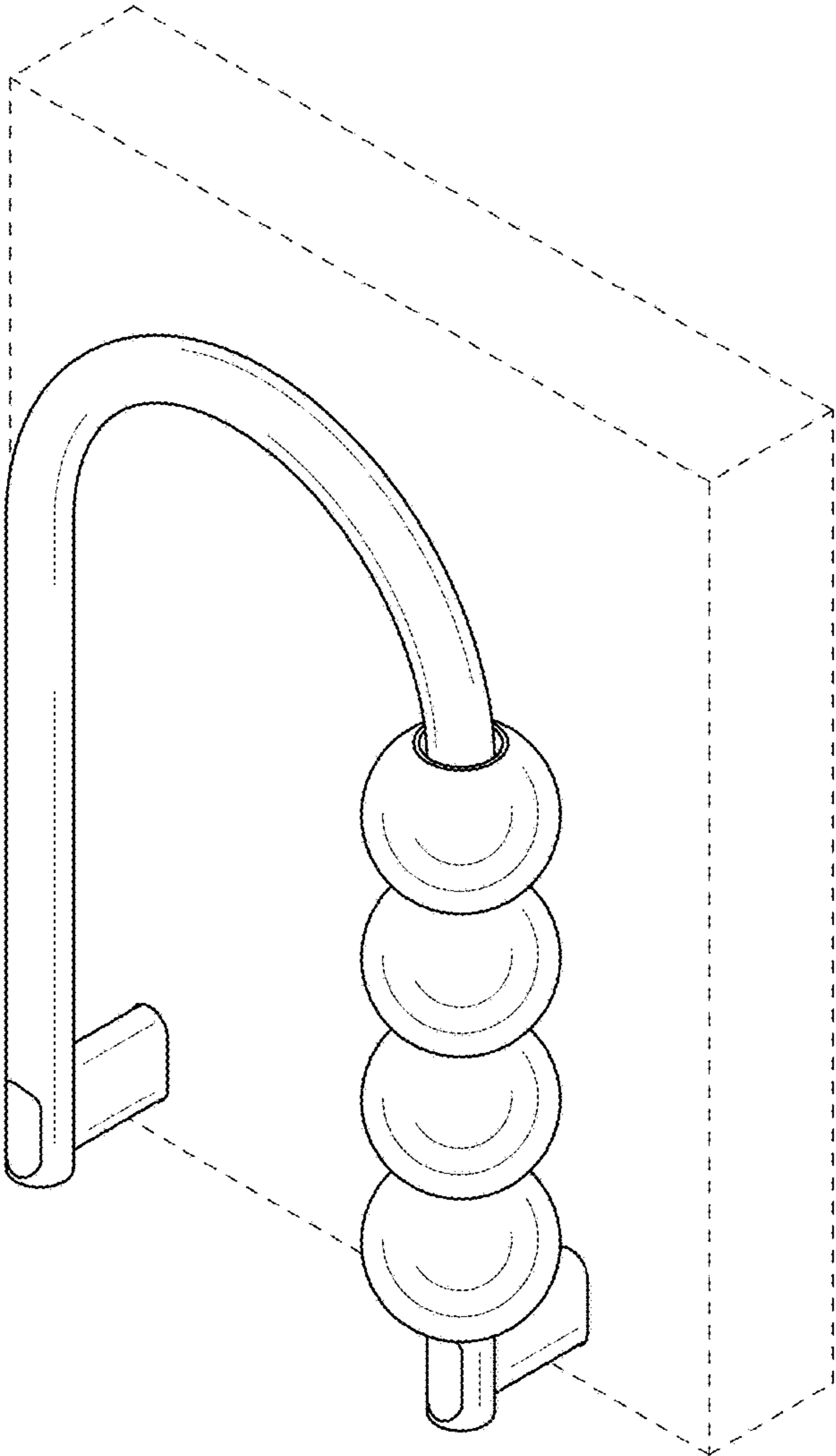


Fig. 2

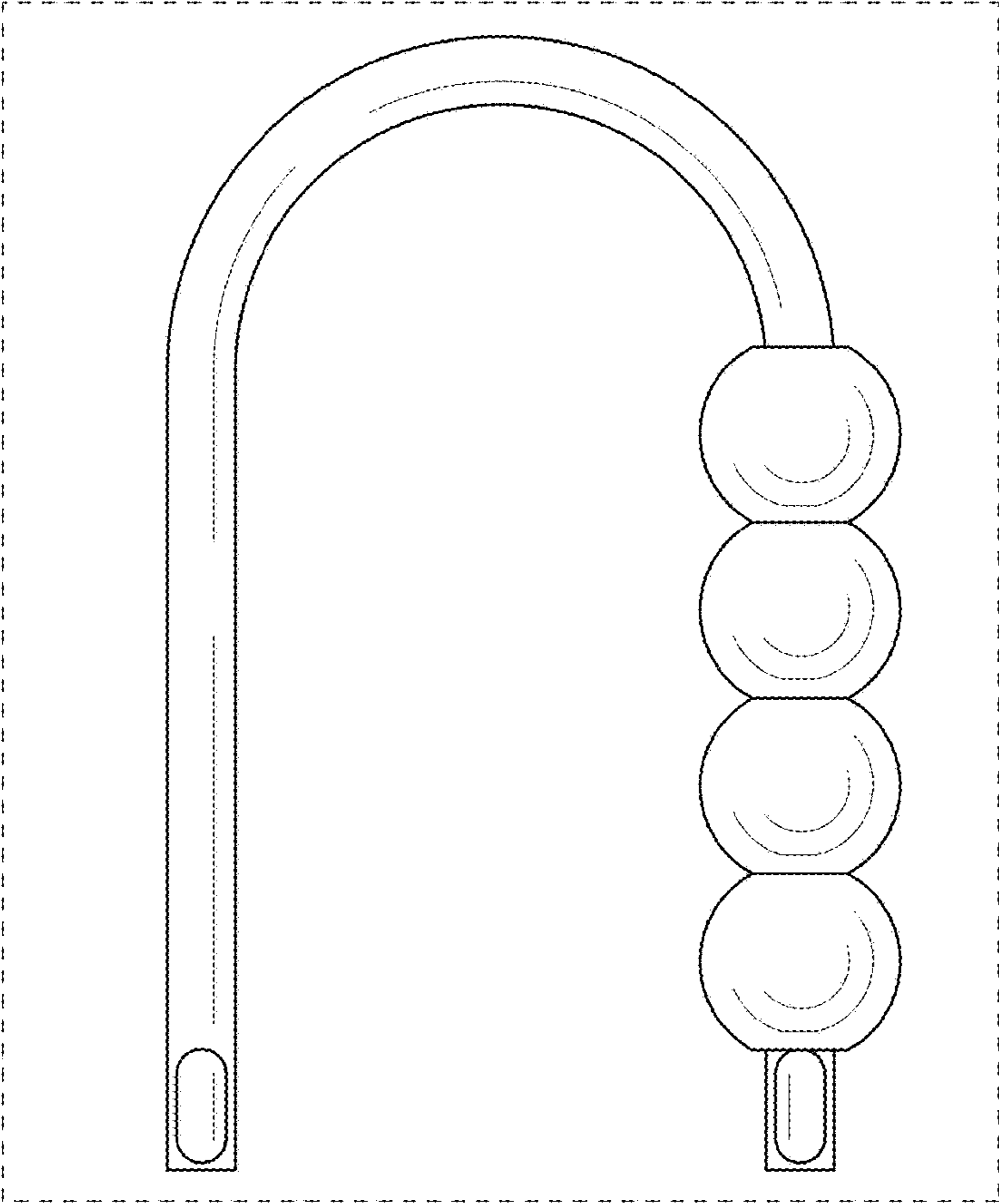


Fig. 3

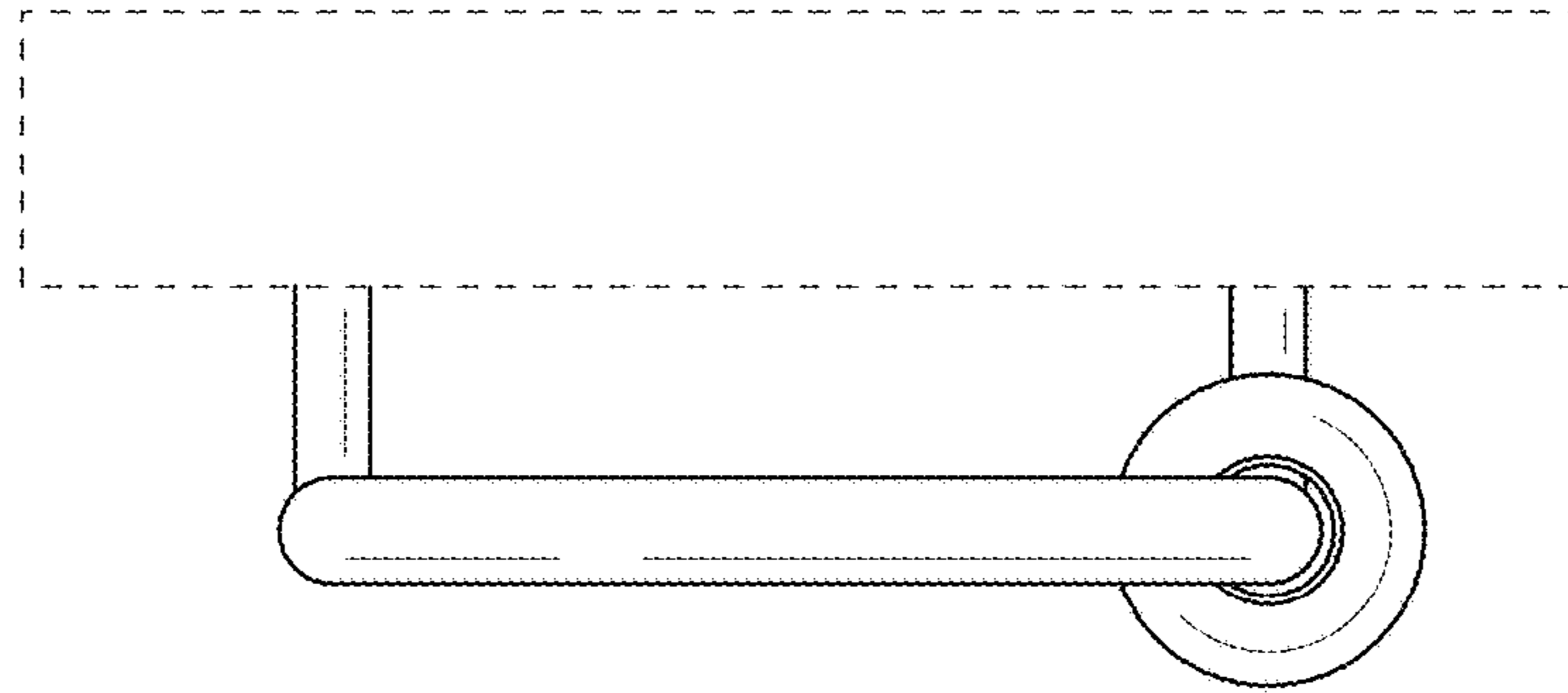


Fig. 4

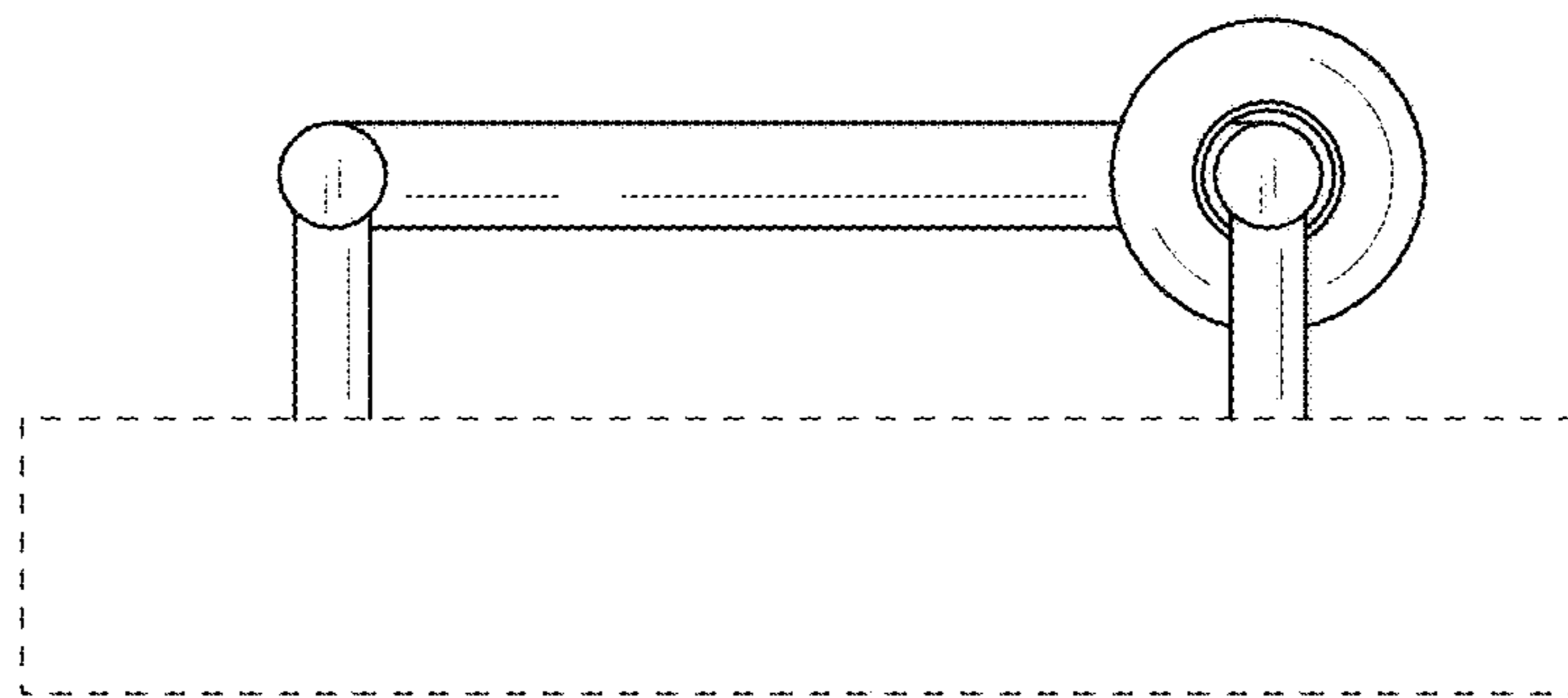


Fig. 5

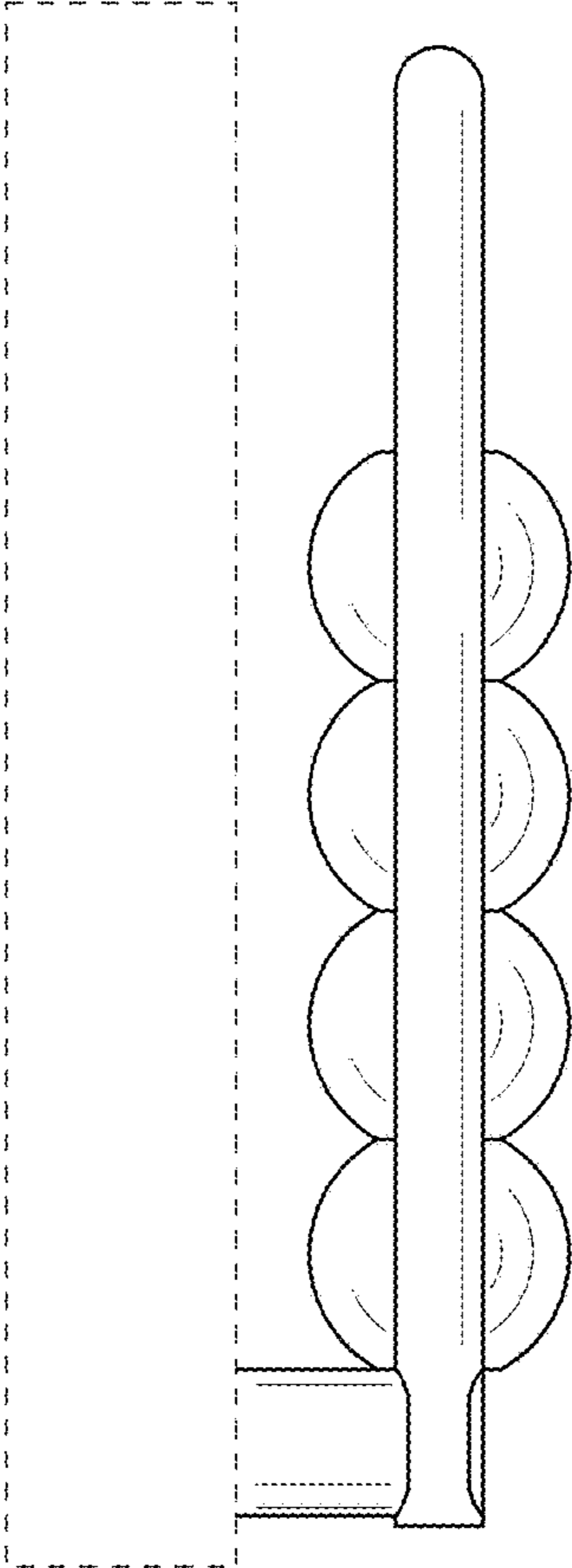


Fig. 6

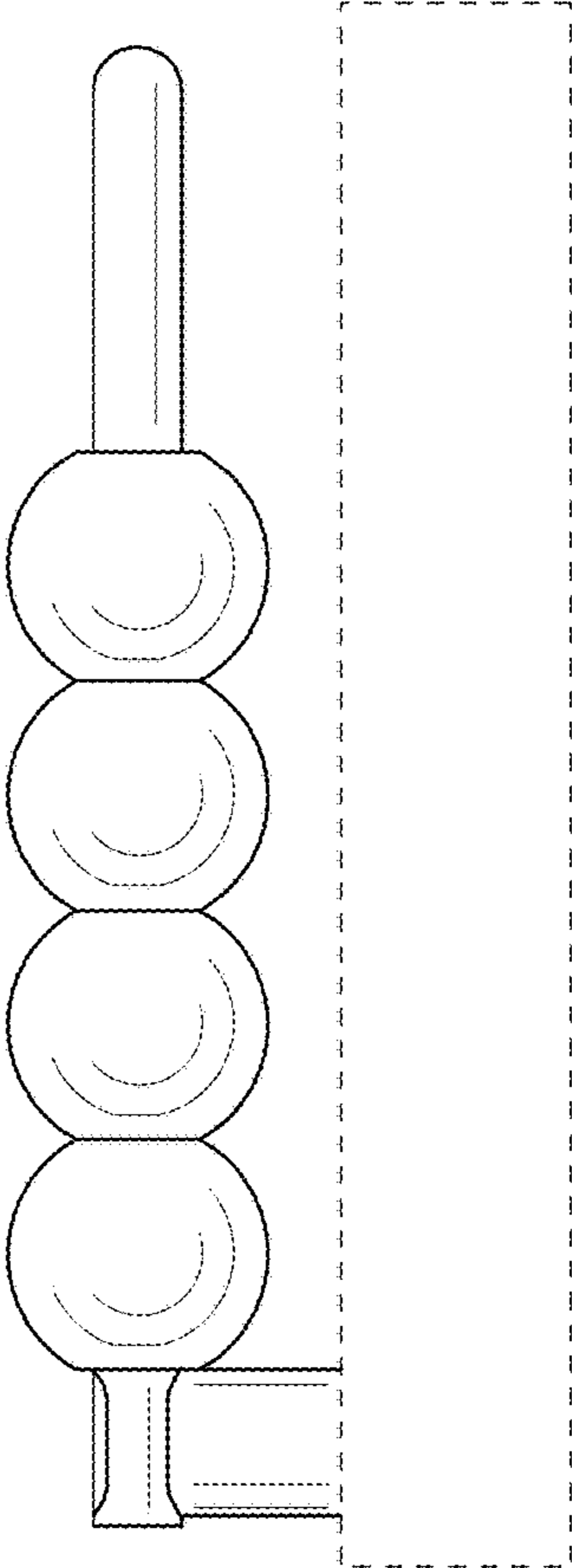


Fig. 7

