



US00D851046S

(12) **United States Design Patent** (10) **Patent No.:** **US D851,046 S**
Peng et al. (45) **Date of Patent:** **** *Jun. 11, 2019**

(54) **ELECTRICAL JUNCTION BOX**
(71) Applicant: **DMF, Inc.**, Carson, CA (US)
(72) Inventors: **Xinzhi Peng**, Downey, CA (US);
Michael D. Danesh, Beverly Hills, CA (US)
(73) Assignee: **DMF, Inc.**, Carson, CA (US)
(*) Notice: This patent is subject to a terminal disclaimer.
(**) Term: **15 Years**
(21) Appl. No.: **29/541,565**
(22) Filed: **Oct. 5, 2015**
(51) **LOC (11) Cl.** **13-03**
(52) **U.S. Cl.**
USPC **D13/152**
(58) **Field of Classification Search**
USPC D13/152, 119, 147, 156, 177, 184, 107,
D13/108, 110, 123, 133, 137.1-137.4,
D13/138.1-138.2, 139.1-139.8, 153, 154,
D13/146, 158; D8/350, 351-353;
D25/119, 127, 134, 48.4; D26/74
(Continued)

(56) **References Cited**
U.S. PATENT DOCUMENTS
2,038,784 A 4/1936 Ghadiali
2,697,535 A * 12/1954 Olson H02G 3/085
220/3.2
(Continued)

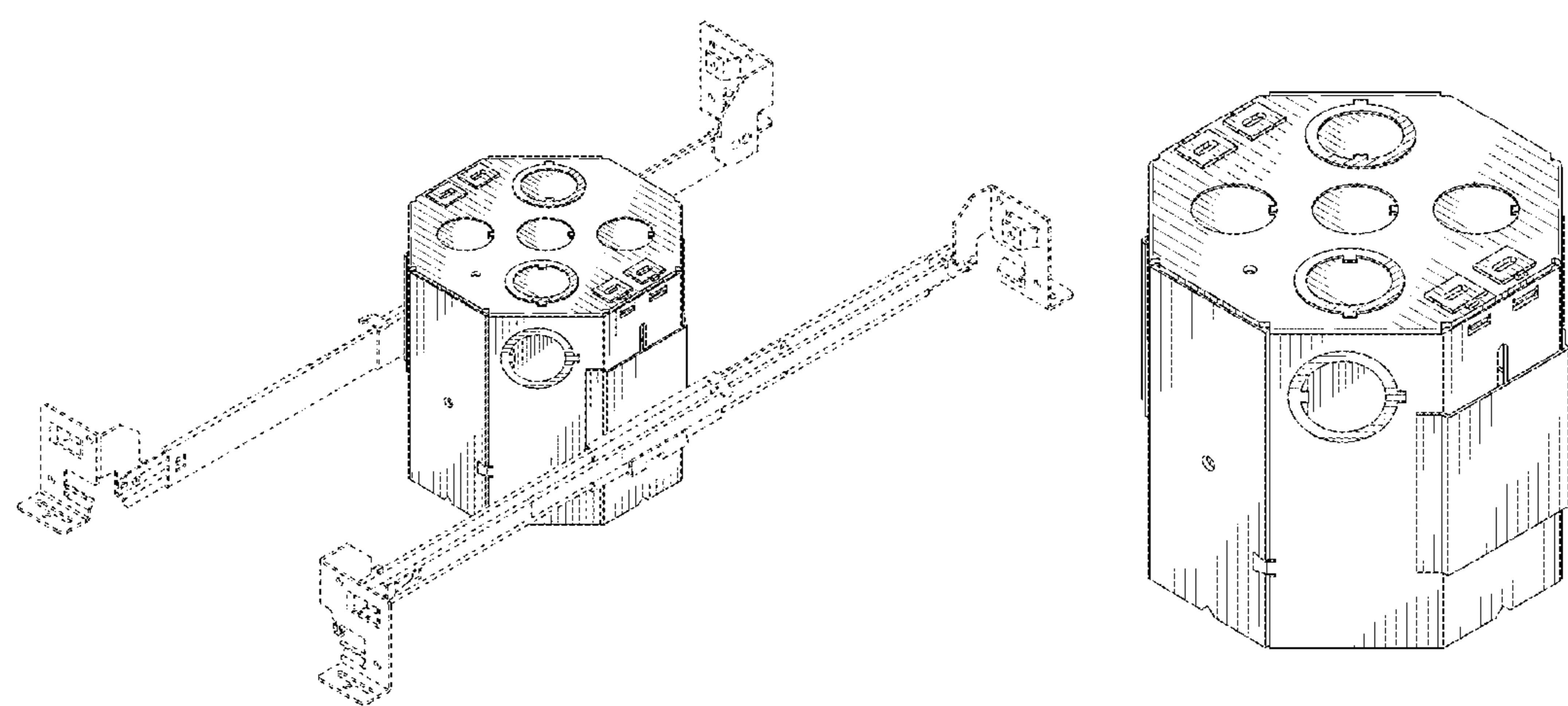
FOREIGN PATENT DOCUMENTS
CA 2815067 11/2013
CN 201259125 Y 6/2009
CN 101608781 A 12/2009
CN 201636626 U 11/2010
CN 202392473 U 8/2012

CN 202733693 U 2/2013
(Continued)
OTHER PUBLICATIONS
Dmflighting.com: OneFrame Recessed LED Downlight. Published Jun. 6, 2018. Retrieved from the internet at <https://www.dmflighting.com/product/oneframe/>, Jun. 6, 2018. 11 pages. (Year: 2018).*
(Continued)
Primary Examiner — Rosemary K Tarcza
Assistant Examiner — Christy M Nemeth
(74) *Attorney, Agent, or Firm* — Smith Baluch LLP

(57) **CLAIM**
What is claimed is the ornamental design for an electrical junction box, substantially as shown and described.

DESCRIPTION
FIG. 1 is a top, side perspective view of an electrical junction box of our new design;
FIG. 2 is another top, side perspective view thereof;
FIG. 3 is a top plan view of the electrical junction box of FIG. 2;
FIG. 4 is a front elevation view thereof, the rear view being identical;
FIG. 5 is a right side view thereof, the left side view being identical;
FIG. 6 is a bottom plan view thereof;
FIG. 7 is a front, right, bottom perspective view thereof;
FIG. 8 is a top plan view of the electrical junction box of FIG. 1;
FIG. 9 is a front elevation view thereof;
FIG. 10 is a right side view thereof, the left side view being identical;
FIG. 11 is a bottom plan view thereof; and,
FIG. 12 is a front, right, bottom perspective view thereof.
The broken lines in the drawings are for the purpose of illustrating environmental subject matter that forms no part of the claimed design.

1 Claim, 8 Drawing Sheets



(56)

References Cited

U.S. PATENT DOCUMENTS

D648,477 S	11/2011	Kim et al.	8,641,243 B1	2/2014	Rashidi
D650,115 S	12/2011	Kim et al.	8,659,034 B2	2/2014	Baretz et al.
8,070,328 B1	12/2011	Knoble et al.	D701,466 S	3/2014	Clifford et al.
8,096,670 B2	1/2012	Trott	8,672,518 B2	3/2014	Boomgaarden et al.
D654,205 S	2/2012	Rashidi	D702,867 S	4/2014	Kim et al.
D656,262 S *	3/2012	Yoshinobu D26/74	D703,843 S	4/2014	Cheng
D656,263 S	3/2012	Ogawa et al.	8,684,569 B2	4/2014	Pickard et al.
8,142,057 B2	3/2012	Roos et al.	D705,472 S	5/2014	Huh
8,152,334 B2	4/2012	Krogman	8,727,582 B2	5/2014	Brown et al.
D658,788 S	5/2012	Dudik et al.	D710,529 S	8/2014	Lopez et al.
D658,802 S	5/2012	Chen	8,801,217 B2	8/2014	Oehle et al.
D659,862 S	5/2012	Tsai	D714,989 S	10/2014	Rowlette, Jr. et al.
D659,879 S	5/2012	Rashidi	8,870,426 B2	10/2014	Biebl et al.
D660,814 S	5/2012	Wilson	8,890,414 B2	11/2014	Rowlette, Jr. et al.
8,182,116 B2	5/2012	Zhang et al.	D721,845 S	1/2015	Lui et al.
8,201,968 B2	6/2012	Maxik et al.	D722,296 S	2/2015	Taylor
D663,058 S	7/2012	Pan	D722,978 S	2/2015	Hagarty
D663,466 S	7/2012	Rashidi	8,950,898 B2	2/2015	Catalano
D664,274 S	7/2012	de Visser et al.	D726,363 S	4/2015	Danesh
D664,705 S	7/2012	Kong et al.	9,039,254 B2	5/2015	Danesh
8,215,805 B2	7/2012	Cogliano et al.	D731,689 S	6/2015	Bernard et al.
8,220,970 B1	7/2012	Khazi et al.	9,062,866 B1	6/2015	Christ et al.
8,226,270 B2	7/2012	Yamamoto et al.	9,065,264 B2 *	6/2015	Cooper H02G 3/16
D667,155 S	9/2012	Rashidi	9,068,719 B2	6/2015	Van De Ven et al.
8,262,255 B1	9/2012	Rashidi	9,068,722 B2 *	6/2015	Wronski F21V 17/02
D668,809 S	10/2012	Rashidi	D735,012 S *	7/2015	Cowie D8/107
D669,198 S	10/2012	Qui	D735,142 S	7/2015	Hagarty
D669,199 S	10/2012	Chuang	9,078,299 B2	7/2015	Ashdown
D669,620 S	10/2012	Rashidi	D739,590 S	9/2015	Redfern
8,277,090 B2	10/2012	Fryzek et al.	9,140,441 B2	9/2015	Goelz et al.
8,308,322 B2	11/2012	Santiago et al.	9,151,457 B2	10/2015	Pickard et al.
D673,869 S	1/2013	Yu	9,151,477 B2	10/2015	Pickard et al.
D676,263 S *	2/2013	Birke D6/695	D742,325 S *	11/2015	Leung D13/152
8,376,593 B2	2/2013	Bazydola et al.	9,217,560 B2	12/2015	Harbers et al.
D677,417 S	3/2013	Rashidi	9,222,661 B2	12/2015	Kim et al.
D677,634 S *	3/2013	Korcz D13/152	9,281,671 B2 *	3/2016	Sathyanarayana H02G 3/08
D679,047 S	3/2013	Tickner et al.	9,285,103 B2	3/2016	Van De Ven et al.
8,403,533 B1	3/2013	Paulsel	9,291,319 B2	3/2016	Kathawate et al.
8,403,541 B1	3/2013	Rashidi	9,301,362 B2	3/2016	Dohn et al.
D681,259 S	4/2013	Kong	9,310,038 B2	4/2016	Athalye
8,408,759 B1	4/2013	Rashidi	9,322,543 B2	4/2016	Hussell et al.
D683,063 S	5/2013	Lopez et al.	9,347,655 B2	5/2016	Boomgaarden et al.
D683,890 S	6/2013	Lopez et al.	9,371,966 B2	6/2016	Rowlette, Jr. et al.
D684,269 S	6/2013	Wang et al.	D762,181 S	7/2016	Lin
D684,719 S	6/2013	Rashidi	9,395,051 B2	7/2016	Hussell et al.
D685,118 S	6/2013	Rashidi	D762,906 S	8/2016	Jeswani et al.
D685,120 S	6/2013	Rashidi	D764,079 S	8/2016	Wu
8,454,204 B1	6/2013	Chang et al.	9,417,506 B1	8/2016	Tirosh
D685,507 S	7/2013	Sun	D766,185 S *	9/2016	Hagarty D13/152
D687,586 S	8/2013	Rashidi	D768,325 S	10/2016	Xu
D687,587 S	8/2013	Rashidi	D768,326 S	10/2016	Guzzini
D687,588 S	8/2013	Rashidi	D769,501 S	10/2016	Jeswani et al.
D687,980 S	8/2013	Gravely et al.	D770,065 S	10/2016	Tittle
D688,405 S	8/2013	Kim et al.	9,476,552 B2	10/2016	Myers et al.
D690,049 S	9/2013	Rashidi	D776,324 S	1/2017	Gierl et al.
D690,864 S	10/2013	Rashidi	9,534,751 B2	1/2017	Maglica et al.
D690,865 S	10/2013	Rashidi	D778,241 S	2/2017	Holbrook et al.
D690,866 S	10/2013	Rashidi	D778,484 S	2/2017	Guzzini
D691,314 S	10/2013	Rashidi	9,581,302 B2	2/2017	Danesh
D691,315 S	10/2013	Samson	9,599,315 B1	3/2017	Harpenau et al.
D691,763 S	10/2013	Hand et al.	9,605,910 B2	3/2017	Swedberg et al.
8,550,669 B2	10/2013	Macwan et al.	D785,228 S	4/2017	Guzzini
D693,043 S	11/2013	Schmalfuss et al.	D786,472 S	5/2017	Redfern
D693,517 S	11/2013	Davis	D786,474 S	5/2017	Fujisawa
D694,456 S	11/2013	Rowlette, Jr. et al.	D788,330 S	5/2017	Johnson et al.
D695,441 S	12/2013	Lui et al.	D790,102 S	6/2017	Guzzini
D696,446 S	12/2013	Huh	9,673,597 B2	6/2017	Lee
D696,447 S	12/2013	Huh	D791,711 S *	7/2017	Holton D13/152
D696,448 S	12/2013	Huh	D791,996 S *	7/2017	Holscher D26/74
8,602,601 B2	12/2013	Khazi et al.	9,702,516 B1	7/2017	Vasquez et al.
D698,067 S	1/2014	Rashidi	9,791,111 B1	10/2017	Huang et al.
D698,068 S	1/2014	Rashidi	9,803,839 B2	10/2017	Visser et al.
D698,985 S	2/2014	Lopez et al.	D805,660 S	12/2017	Creasman et al.
D699,384 S	2/2014	Rashidi	D809,176 S	1/2018	Partington
D700,387 S	2/2014	Snell	9,863,619 B2 *	1/2018	Mak F21V 23/002
			9,964,266 B2 *	5/2018	Danesh F21S 8/02
			D820,494 S	6/2018	Cohen
			9,995,441 B2	6/2018	Power et al.
			D833,977 S	11/2018	Danesh et al.

(56)

References Cited

U.S. PATENT DOCUMENTS

10,139,059 B2 11/2018 Danesh
 2002/0172047 A1 11/2002 Ashley
 2004/0001337 A1 1/2004 Defouw et al.
 2005/0225966 A1 10/2005 Hartmann et al.
 2005/0227536 A1 10/2005 Gamache et al.
 2005/0237746 A1 10/2005 Yiu
 2006/0158873 A1 7/2006 Newbold et al.
 2006/0215408 A1 9/2006 Lee
 2007/0035951 A1 2/2007 Tseng
 2007/0185675 A1 8/2007 Papamichael et al.
 2007/0206374 A1 9/2007 Petrakis et al.
 2008/0112168 A1 5/2008 Pickard et al.
 2008/0112170 A1 5/2008 Trott
 2008/0112171 A1 5/2008 Patti et al.
 2008/0137347 A1 6/2008 Trott et al.
 2008/0165545 A1 7/2008 O'Brien
 2008/0232116 A1 9/2008 Kim
 2009/0003009 A1 1/2009 Tessnow et al.
 2009/0034261 A1 2/2009 Grove
 2009/0080189 A1 3/2009 Wegner
 2009/0086484 A1 4/2009 Johnson
 2009/0135613 A1 5/2009 Peng
 2009/0141500 A1 6/2009 Peng
 2009/0141506 A1 6/2009 Lan et al.
 2009/0141508 A1 6/2009 Peng
 2009/0147517 A1 6/2009 Li
 2009/0161356 A1 6/2009 Negley et al.
 2009/0237924 A1 9/2009 Ladewig
 2009/0280695 A1 11/2009 Sekela et al.
 2009/0290343 A1 11/2009 Brown et al.
 2010/0014282 A1 1/2010 Danesh
 2010/0061108 A1 3/2010 Zhang et al.
 2010/0110690 A1 5/2010 Hsu et al.
 2010/0110698 A1 5/2010 Harwood et al.
 2010/0148673 A1 6/2010 Stewart et al.
 2010/0149822 A1 6/2010 Cogliano et al.
 2010/0244709 A1 9/2010 Steiner et al.
 2010/0246172 A1 9/2010 Liu
 2010/0259919 A1 10/2010 Khazi et al.
 2010/0270903 A1 10/2010 Jao et al.
 2010/0302778 A1 12/2010 Dabiet et al.
 2011/0043040 A1 2/2011 Porter et al.
 2011/0063831 A1 3/2011 Cook
 2011/0068687 A1 3/2011 Takahasi et al.
 2011/0069499 A1 3/2011 Trott et al.
 2011/0080750 A1 4/2011 Jones et al.
 2011/0116276 A1 5/2011 Okamura et al.
 2011/0134634 A1 6/2011 Gingrich, III et al.
 2011/0134651 A1 6/2011 Berman
 2011/0170294 A1 7/2011 Mier-Langner et al.
 2011/0194299 A1 8/2011 Crooks et al.
 2011/0216534 A1 9/2011 Tickner et al.
 2011/0226919 A1 9/2011 Fryzek et al.
 2011/0255292 A1 10/2011 Shen
 2011/0267828 A1 11/2011 Bazydola et al.
 2011/0285314 A1 11/2011 Carney et al.
 2012/0020104 A1 1/2012 Biebl et al.
 2012/0074852 A1 3/2012 Delnoij
 2012/0106176 A1 5/2012 Lopez et al.
 2012/0113642 A1 5/2012 Catalano
 2012/0140442 A1 6/2012 Woo et al.
 2012/0162994 A1 6/2012 Wasniewski et al.
 2012/0182744 A1 7/2012 Santiago et al.
 2012/0188762 A1 7/2012 Joung et al.
 2012/0243237 A1 9/2012 Toda et al.
 2012/0287625 A1 11/2012 Macwan et al.
 2013/0009552 A1 1/2013 Page
 2013/0010476 A1 1/2013 Pickard et al.
 2013/0033872 A1 2/2013 Randolph et al.
 2013/0051012 A1 2/2013 Oehle et al.
 2013/0141913 A1 6/2013 Sachsenweger
 2013/0163254 A1 6/2013 Chang et al.
 2013/0170233 A1 7/2013 Nezu et al.
 2013/0258677 A1 10/2013 Fryzek et al.
 2013/0265750 A1 10/2013 Pickard et al.

2013/0271989 A1 10/2013 Hussell et al.
 2013/0294084 A1 11/2013 Kathawate et al.
 2013/0301252 A1 11/2013 Hussell et al.
 2013/0322062 A1 12/2013 Danesh
 2013/0335980 A1 12/2013 Nakasuji et al.
 2014/0036497 A1 2/2014 Hussell et al.
 2014/0049957 A1 2/2014 Goelz et al.
 2014/0063776 A1 3/2014 Clark et al.
 2014/0071679 A1 3/2014 Booth
 2014/0071687 A1 3/2014 Tickner et al.
 2014/0140490 A1 5/2014 Roberts et al.
 2014/0063818 A1 6/2014 Randolph et al.
 2014/0254177 A1 9/2014 Danesh
 2014/0321122 A1 10/2014 Domagala et al.
 2014/0347848 A1 11/2014 Pisavadia et al.
 2015/0009676 A1* 1/2015 Danesh F21S 8/02
 362/296.01
 2015/0138779 A1 5/2015 Livesay et al.
 2015/0184837 A1 7/2015 Zhang et al.
 2015/0198324 A1 7/2015 O'Brien et al.
 2015/0233556 A1* 8/2015 Danesh F21S 8/02
 362/365
 2015/0263497 A1 9/2015 Korcz et al.
 2015/0276185 A1 10/2015 Bailey et al.
 2015/0362159 A1 12/2015 Ludyjan
 2016/0312987 A1 10/2016 Danesh
 2016/0348860 A1 12/2016 Danesh
 2016/0348861 A1 12/2016 Bailey et al.
 2016/0366738 A1 12/2016 Boulanger et al.
 2017/0045213 A1 2/2017 Williams et al.
 2017/0059135 A1 3/2017 Jones
 2017/0138576 A1* 5/2017 Peng F21S 8/02
 2017/0138581 A1 5/2017 Doust
 2017/0307188 A1 10/2017 Oudina et al.

FOREIGN PATENT DOCUMENTS

CN 103307518 A 9/2013
 CN 103322476 A 9/2013
 CN 203215483 U 9/2013
 CN 20327663 U 11/2013
 CN 101498411 B 11/2013
 CN 203297980 U 11/2013
 CN 203628464 U 6/2014
 CN 203641919 U 6/2014
 CN 104654142 A 5/2015
 CN 204513161 U 7/2015
 CN 204611541 U 9/2015
 CN 204829578 U 12/2015
 CN 103712135 B 4/2016
 CN 205606362 U 9/2016
 CN 2016130742 U 4/2017
 CN 103154606 B 5/2017
 DE 9109828 U1 2/1992
 EP 1 672 155 A1 6/2006
 EP 2 095 938 A1 2/2008
 EP 2 306 072 A1 4/2011
 EP 2 453 169 A2 5/2012
 EP 2 193 309 B1 7/2012
 GB 2509772 A 7/2014
 JP 2007265961 A 10/2007
 JP 2011060450 A2 3/2011
 JP 2012064551 A2 3/2012
 JP 2015002027 A2 1/2015
 JP 2015002028 A2 1/2015
 JP 20171076699 A 6/2017
 KR 1020110008796 A 1/2011
 KR 1020120061625 A 6/2012
 WO WO 2013/128896 A1 9/2013
 WO WO 2015/000212 A1 1/2015
 WO WO 2016/152116 A2 9/2016

OTHER PUBLICATIONS

2006 International Building Code, Section 712 Penetrations, 2006, 4 pages.
 BXUV.Guideinfo, Fire Resistance Ratings—ANSI/UL 263, UL Online Certifications Directory, last updated Nov. 3, 2016, 27 pages.

(56)

References Cited

OTHER PUBLICATIONS

CEYY.GuidelInfo, Outlet Boxes and Fittings Certified for Fire Resistance, UL Online Certifications Directory, last updated May 16, 2013 2 pages.

Canadian Office Action dated Dec. 23, 2013 from Canadian Application No. 2,778,581, 3 pages.

Canadian Office Action dated Mar. 22, 2016 from Canadian Application No. 2,879,629, 4 pages.

Canadian Office Action dated Dec. 6, 2016 from Canadian Application No. 2,879,629, 3 pages.

Canadian Office Action dated Mar. 9, 2017 from Canadian Application No. 2,931,588, 5 pages.

Canadian Office Action dated Feb. 1, 2016 from Canadian Application No. 2,879,486, 5 pages.

Canadian Office Action dated Jun. 12, 2017 from Canadian Application No. 2,927,601, 4 pages.

Canadian Office Action dated Aug. 11, 2017 from Canadian Application No. 2,941,051, 4 pages.

DMF, Inc., “dmfLIGHTING: LED Recessed Lighting Solutions,” Info sheets, Mar. 15, 2012, 4 pages.

DMF, Inc., “dmfLIGHTING: LED Recessed Downlighting,” DRD2 Product Brochure, Oct. 23, 2014, 50 pages.

DMF, Inc., “dmfLIGHTING: LED Recessed Downlighting,” Product Catalog, Aug. 2012, 68 pages.

Final Office Action dated Apr. 27, 2016 from U.S. Appl. No. 14/184,601, 19 pages.

Final Office Action dated Jul. 26, 2017 from U.S. Appl. No. 14/184,601, 18 pages.

Final Office Action dated Jan. 29, 2016 from U.S. Appl. No. 14/183,424, 21 pages.

Final Office Action dated Jun. 23, 2016 from U.S. Appl. No. 13/484,901, 18 pages.

Final Office Action dated Apr. 2, 2015 from U.S. Appl. No. 13/484,901, 13 pages.

Halo, Halo LED H4 H7 Collection, SustainableDesign, Cooper Lighting, (emphasis on p. 18 “H7 Collection LED Modules—Halo LED H7 Module Features,”) Mar. 28, 2012, 52 pages.

Halo, H7 LED Downlight Trims 49x Series, 6-inch LED Trims for Use with MI7x LED Modules, Cooper Lighting, ADV110422, rev. Aug. 12, 2011, 15 pages.

Halo, LED Module ML706x, Cooper Lighting, General Installation for All Modules/p. 1; Tether Installation/pp. 2-3; Installation into Halo H750x Series LED—only (Non-Screw Based), Recessed Fixture, p. 4, Oct. 20, 2009, 4 pages.

“Membrane Penetrations in Fire-Resistance Rated Walls,” https://www.ul.com/wp-content/uploads/2014/04/ul_MembranePenetrations.pdf, Issue 1, 2009, 2 pages.

“Metallic Outlet Boxes,” UL 514A, Underwriters Laboratories, Inc., Feb. 16, 2004 (Title Page Reprinted Aug. 10, 2007), 106 pages.

“Metallic and Non-metallic Outlet Boxes Used in Fire-rated Assembly,” <https://iaemagazine.org/magazine/2000/09/16/metallic-and-non-metallic-outlet-boxes-used-in-fire-rated-assembly/>, Sep. 16, 2000, 5 pages.

Non-Final Office Action dated Mar. 15, 2010 from U.S. Appl. No. 12/100,148, 8 pages.

Non-Final Office Action dated Apr. 30, 2010 from U.S. Appl. No. 12/173,232, 13 pages.

Non-Final Office Action dated Sep. 5, 2014 from U.S. Appl. No. 13/791,087, 8 pages.

Non-Final Office Action dated Jul. 20, 2015 from U.S. Appl. No. 14/184,601, 16 pages.

Non-Final Office Action dated Dec. 15, 2016 from U.S. Appl. No. 14/184,601, 18 pages.

Non-Final Office Action dated Feb. 6, 2018 from U.S. Appl. No. 15/167,682, 9 pages.

Non-Final Office Action dated Sep. 15, 2015 from U.S. Appl. No. 13/484,901, 16 pages.

Non-Final Office Action dated Oct. 16, 2014 from U.S. Appl. No. 13/484,901, 11 pages.

Non-Final Office Action dated Sep. 6, 2017 from U.S. Appl. No. 14/726,064, 8 pages.

Non-Final Office Action dated May 17, 2017 from U.S. Appl. No. 14/183,424, 20 pages.

Non-Final Office Action dated Jun. 2, 2015 from U.S. Appl. No. 14/183,424, 20 pages.

Notice of Allowance dated Jan. 30, 2015 from U.S. Appl. No. 13/791,087, 9 pages.

Notice of Allowance dated Jan. 16, 2015 from U.S. Appl. No. 29/467,026, 9 pages.

Notice of Allowance dated Oct. 21, 2016 from U.S. Appl. No. 13/484,901, 7 pages.

Notice of Allowance dated Mar. 24, 2016 from U.S. Appl. No. 14/247,149, 8 pages.

Notice of Allowance dated Aug. 23, 2017 from Canadian Application No. 2,879,629, 1 page.

“Outlet Boxes for Use in Fire Rated Assemblies,” https://www.ul.com/wp-content/uploads/2014/04/UL_outletboxes.pdf, 2011, 2 pages.

DME Series Installation Instructions, Oct. 18, 2011, 2 pages.

Non-Final Office Action dated May 16, 2018 for U.S. Appl. No. 15/132,875, 18 pages.

Notice of Allowance dated May 10, 2018 from U.S. Appl. No. 14/726,064, 7 pages.

Acrich COB Zhaga Module, Product Description, Seoul Semiconductor, Nov. 2016, 39 pages.

<<https://www.zhagastandard.org/books/book18/>>, Mar. 2017, 5 pages.

Notice of Allowance dated Mar. 26, 2018 for U.S. Appl. No. 14/184,601, 10 pages.

Non-Final Office Action dated Apr. 12, 2018 for U.S. Appl. No. 29/638,259, 5 pages.

Notice of Allowance dated May 22, 2018 from U.S. Appl. No. 14/183,424, 9 pages.

Raco 4 in. Octagon Welded Concrete Ring, 3-1/2 in. Deep with 1/2 and 3/4 in. Knockouts and includes 890 cover (20-Pack). Model # 280. Accessed at <https://www.homedepot.com/p/RACO-4-in-Octagon-Welded-Concrete-Ring-3-1-2-in-Deep-with-1-2-and-3-4-in-Knockouts-and-includes-890-cover-20-Pack-280/203638679> on Jan. 18, 2019. 3 pages.

Raco 4 in. Octagon Welded Concrete Ring, 6 in. Deep with 1/2 and 3/4 in. Knockouts (10-Pack). Model # 276. Accessed at <https://www.homedepot.com/p/RACO-4-in-Octagon-Welded-Concrete-Ring-6-in-Deep-with-1-2-and-3-4-in-Knockouts-10-Pack-276/203638675> on Jan. 16, 2019. 4 pages.

“Advanced LED Solutions,” Imtra Marine Lighting. 2011. 39 pages.

“Cree LMH2 LED Module with TrueWhite Technology,” Cree Product Family Data Sheet. 2011. 3 pages.

“Cree LMH2 LED Modules Design Guide,” Cree Product Design Guide. 2011. 20 pages.

“Cree LMH2 LED Modules,” Mouser Electronics. 2 pages.

“LED Undercabinet Pocket Guide,” ELCO Lighting. 12 pages.

“Portland Bi-Color, Warm White/Red,” item:ILIM30941. Imtra Marine Products. 2012. 3 pages.

“Undercabinet Pucks, Xyris Mini LED Puck Light,” ELCO Lighting. Sep. 2018. 1 page.

“VERSI LED Mini Flush,” Lithonia Lighting. 6 pages.

Carlson® Zip Box® Blue™ Switch and Outlet Boxes, Product Brochure, <http://www.carlonsales.com/brochures.php>, 2006, 22 pages.

Cree LED Lamp Family Sales Sheet—Better light is beautiful light, Apr. 24, 2017, 2 pages.

International Search Report and Written Opinion in International Patent Application No. PCT/US18/39048 dated Dec. 14, 2018. 24 pages.

International Search Report and Written Opinion in PCT/US2018/048357 dated Nov. 14, 2018, 13 pages.

Non-Final Office Action dated Dec. 5, 2018 from U.S. Appl. No. 14/942,937, 13 pages.

Non-Final Office Action dated Oct. 24, 2018 for U.S. Appl. No. 15/688,266, 14 pages.

Notice of Allowance dated Nov. 27, 2018 from U.S. Appl. No. 15/167,682, 11 pages.

Notice of Allowance dated Oct. 4, 2018 from U.S. Appl. No. 15/947,065, 9 pages.

(56)

References Cited

OTHER PUBLICATIONS

Notice of Allowance dated Oct. 9, 2018 from U.S. Appl. No. 29/653,142, 7 pages.

Notice of Allowance dated Sep. 19, 2018 from U.S. Appl. No. 15/167,682, 7 pages.

Notice of Allowance dated Sep. 21, 2018 from U.S. Appl. No. 29/645,941, 5 pages.

Civil Action No. 2:18-cv-07090. Complaint for Infringement and Unfair Competition. *DMF, Inc. v. AMP Plus, Inc. d/b/a ELCO Lighting*. 52 pages. Dated Aug. 15, 2018.

* cited by examiner

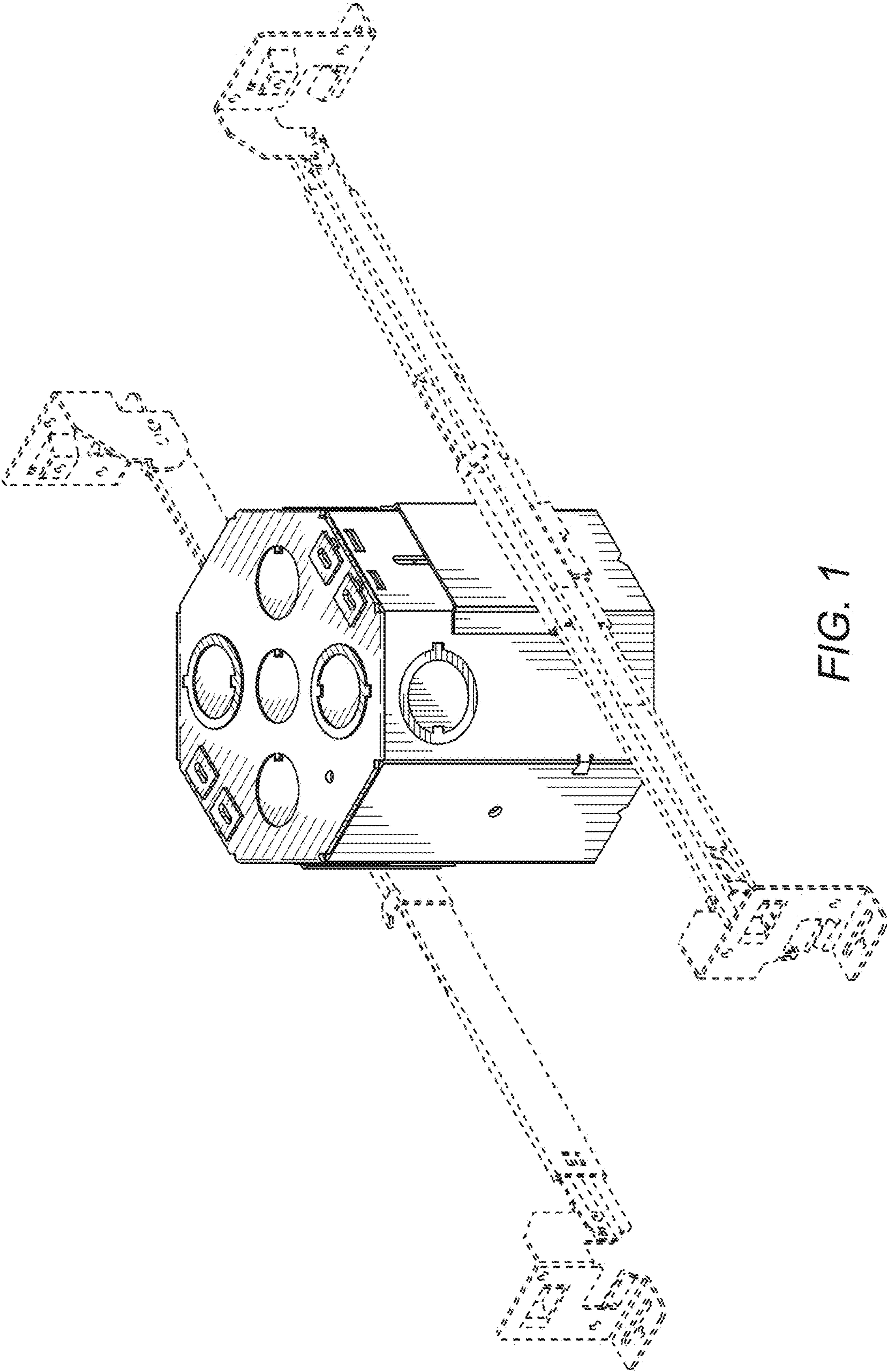


FIG. 1

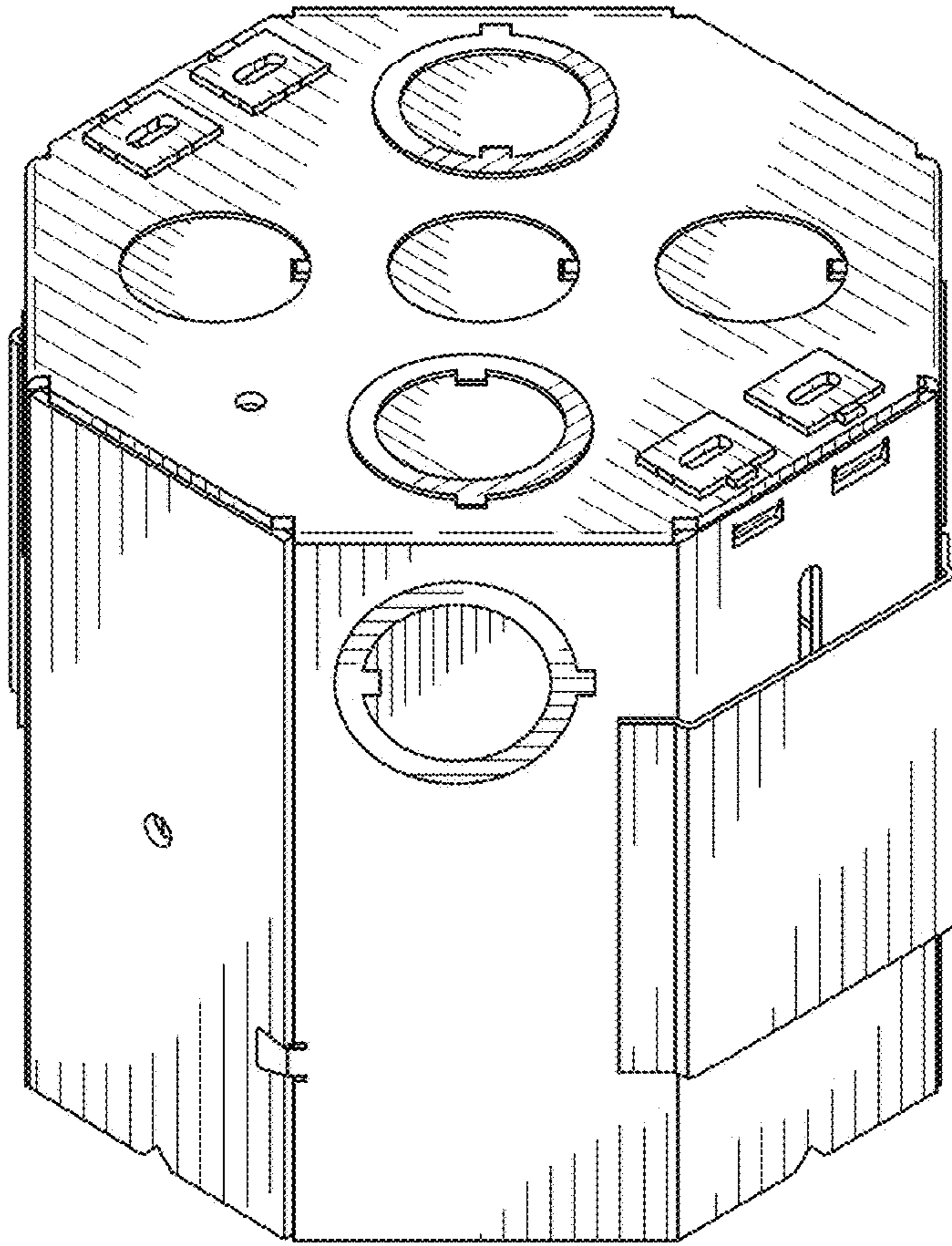


FIG. 2

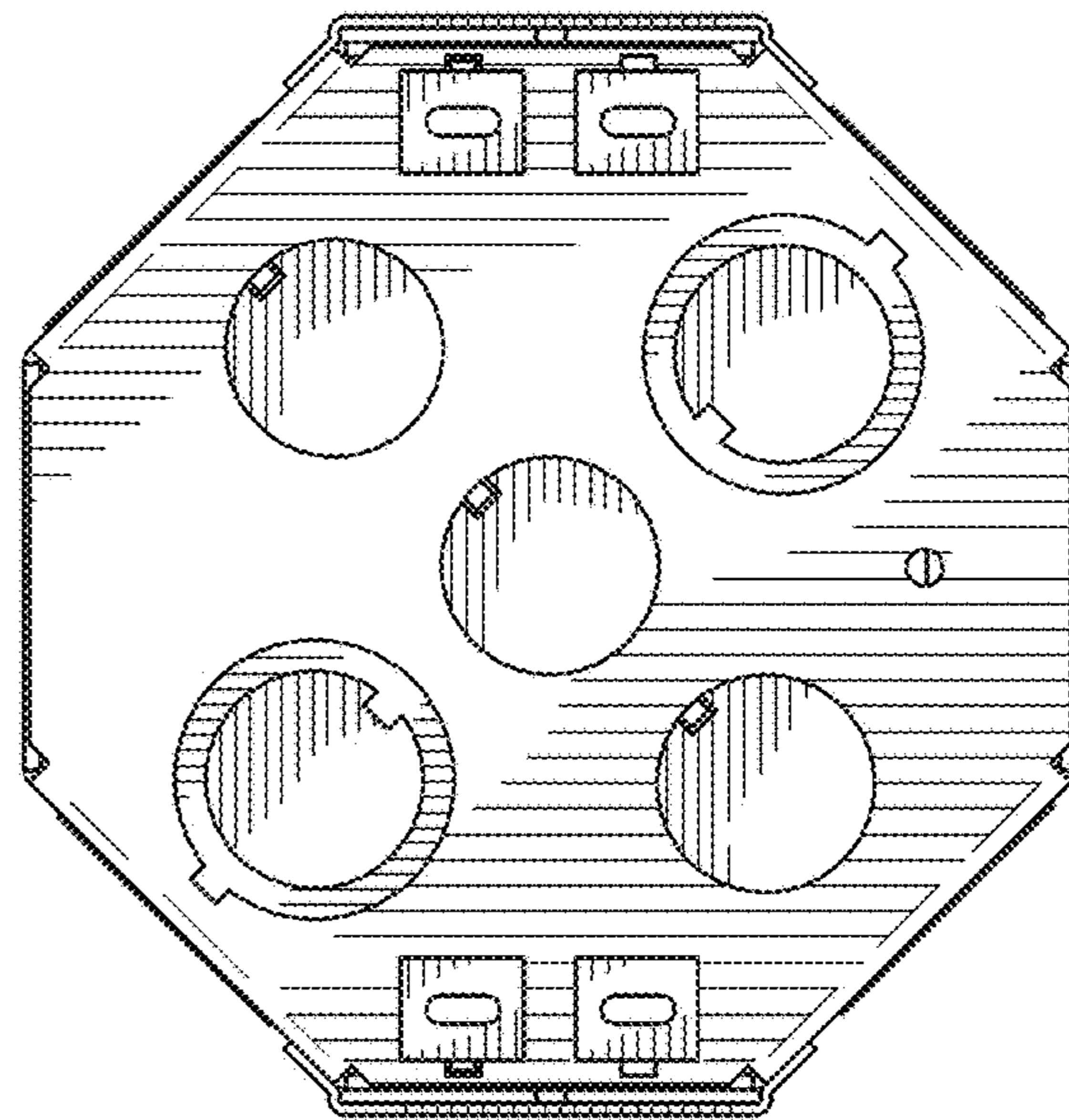


FIG. 3

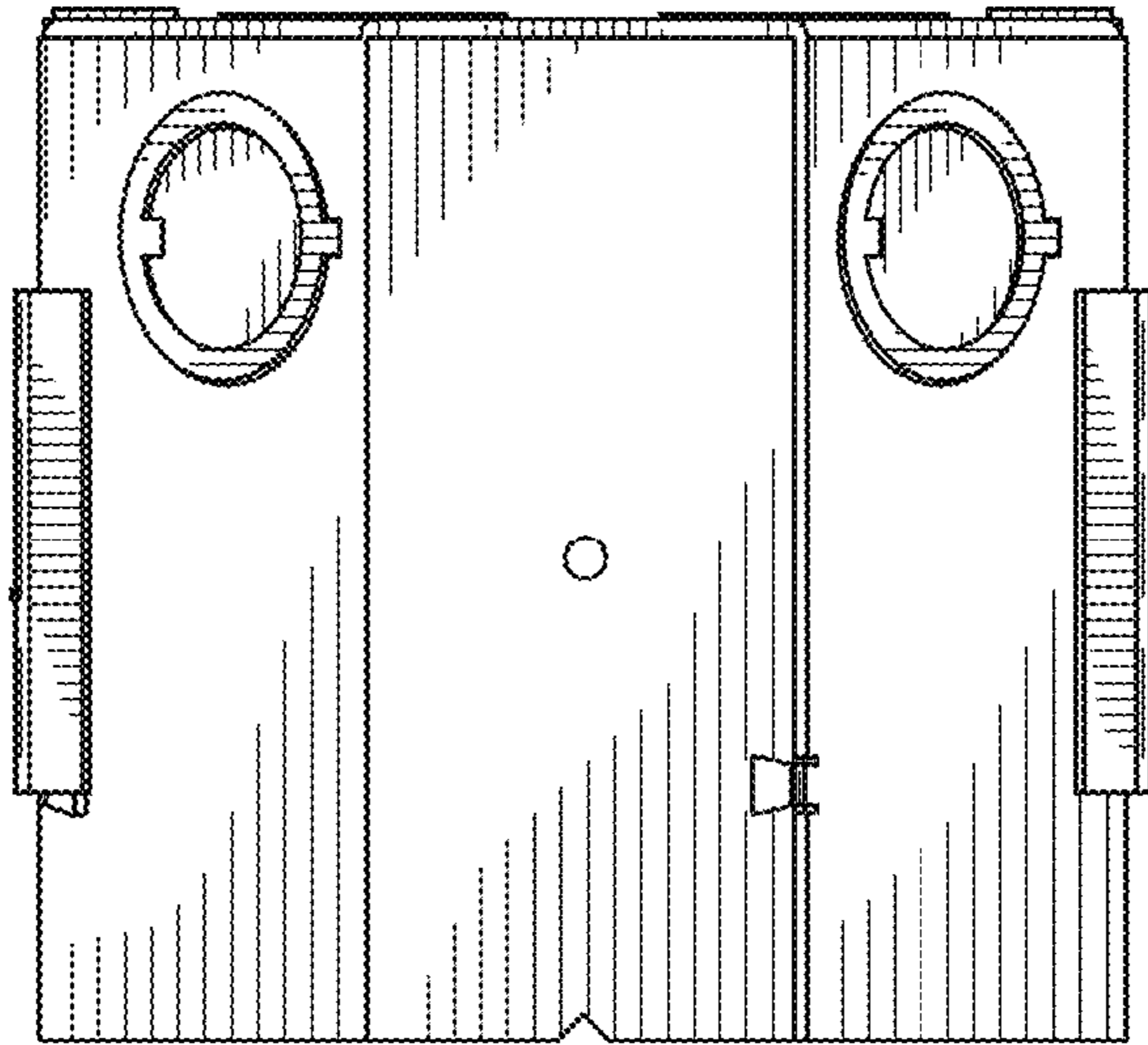


FIG. 4

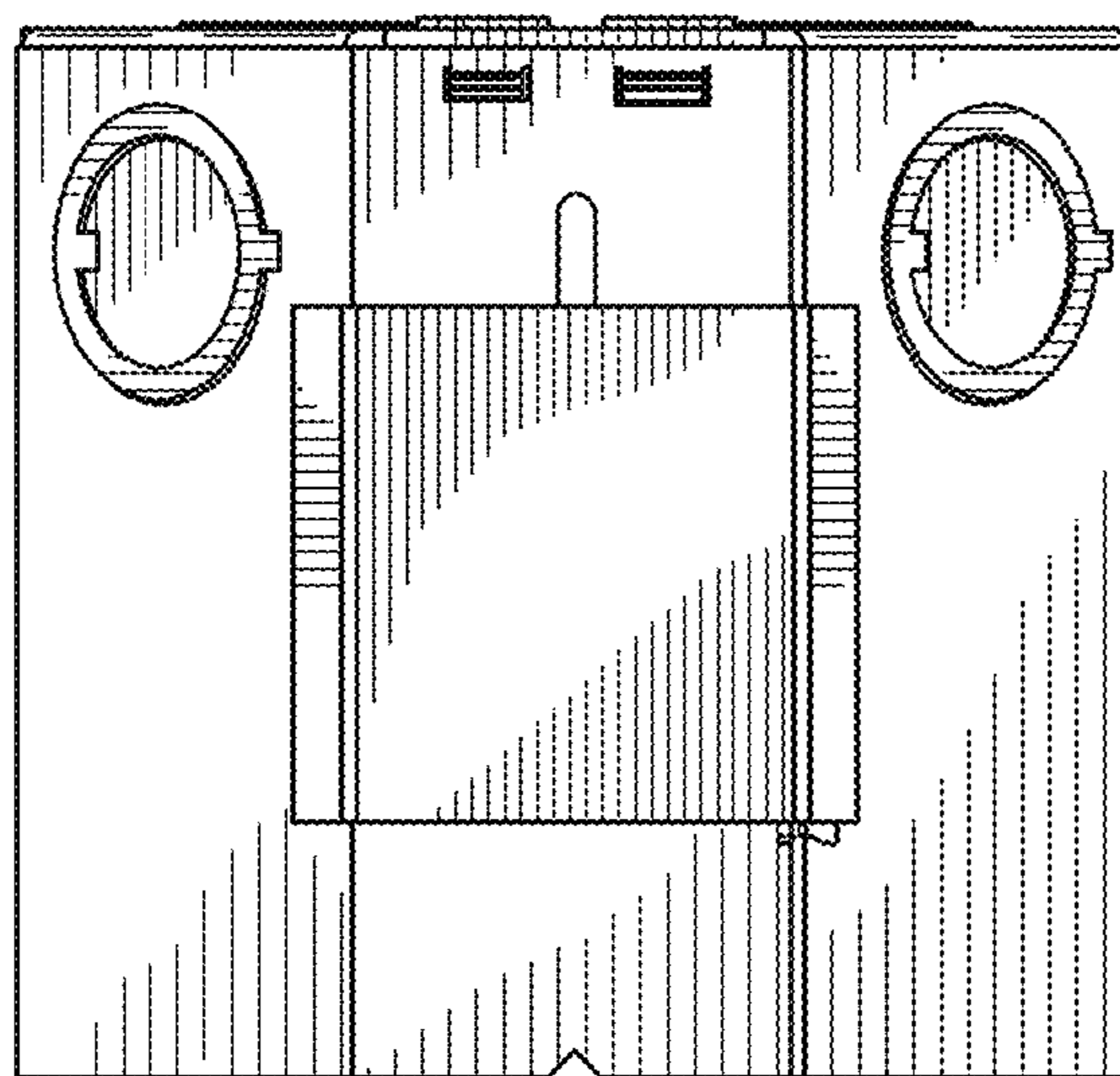


FIG. 5

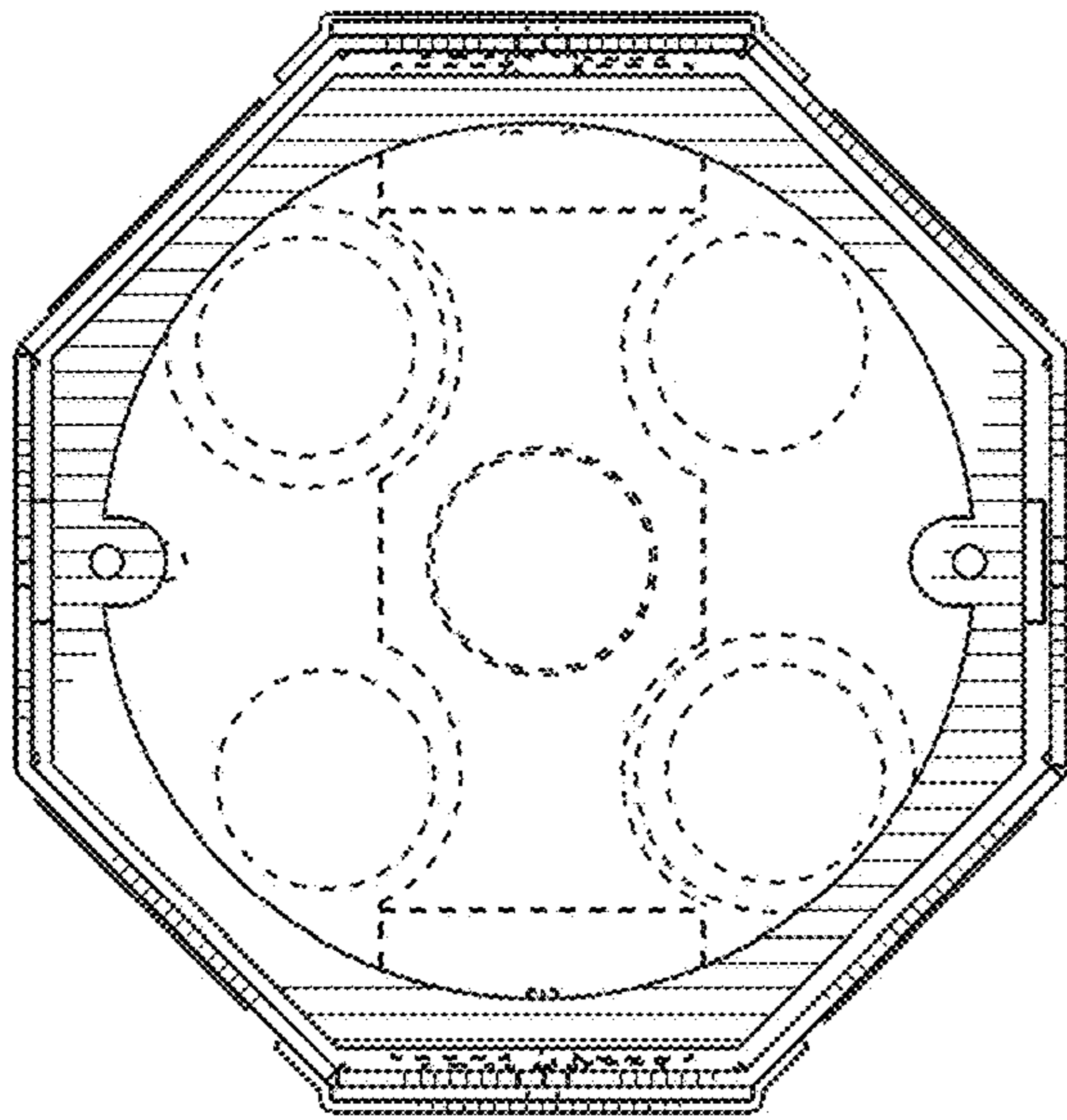


FIG. 6

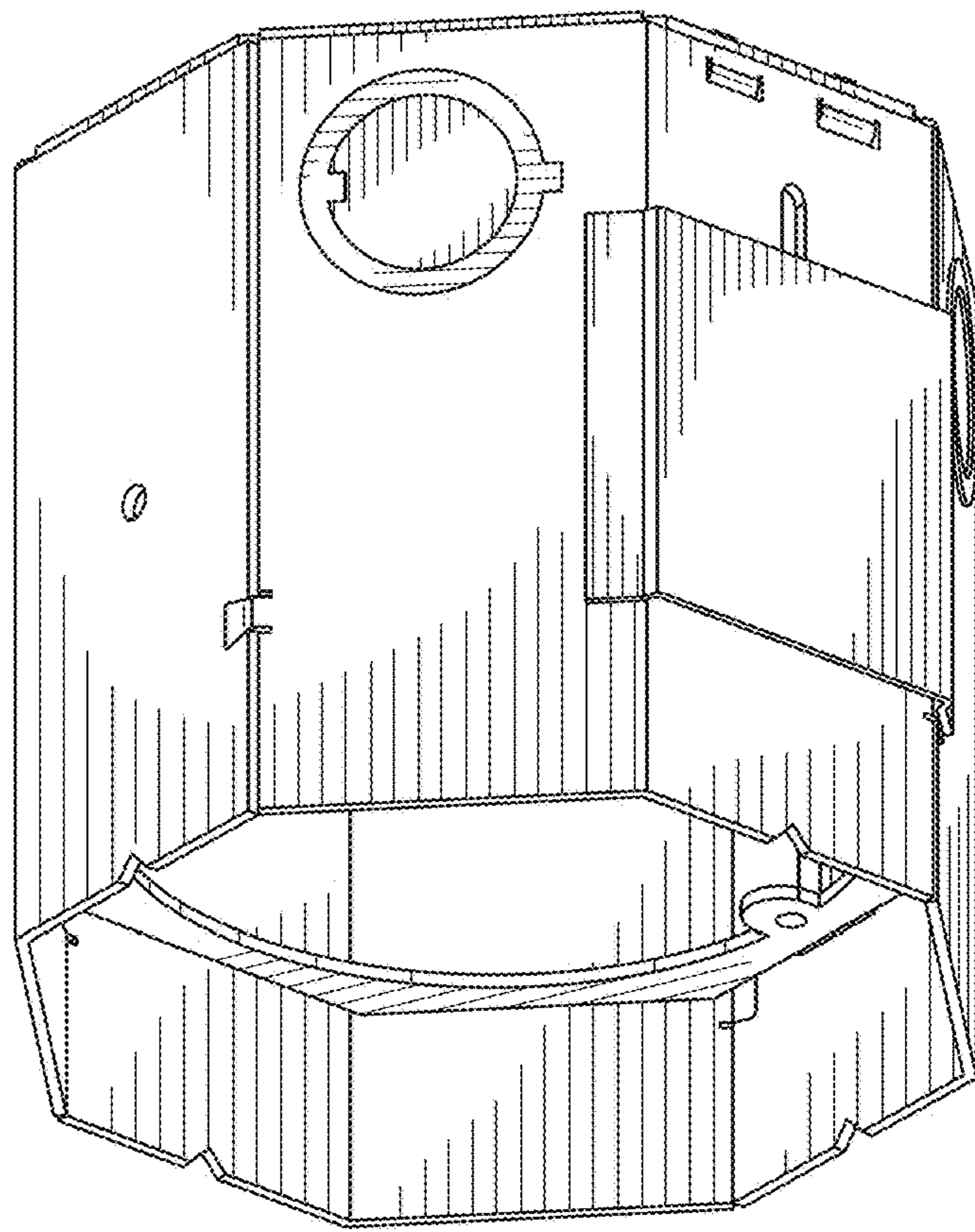


FIG. 7

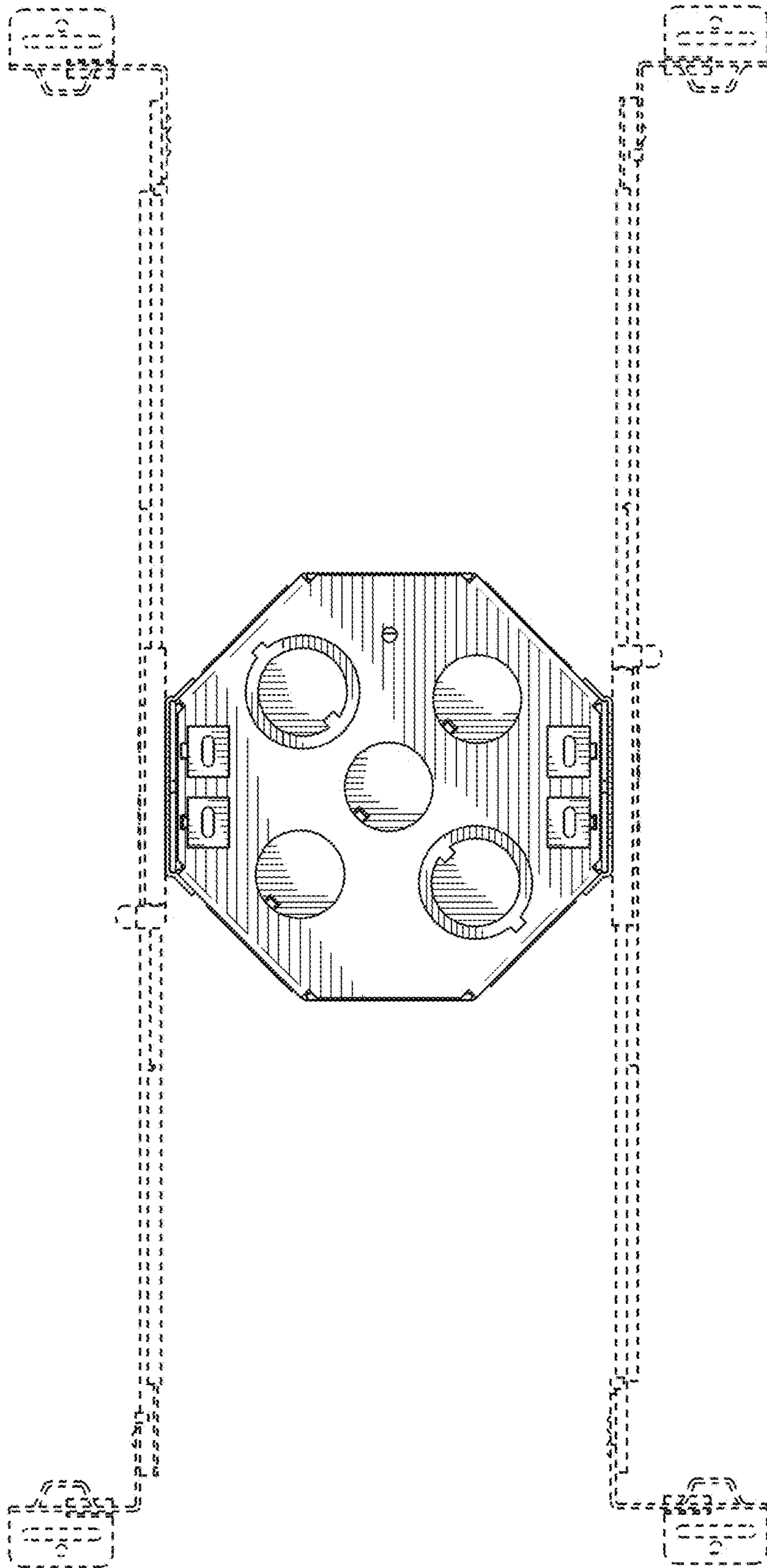


FIG. 8

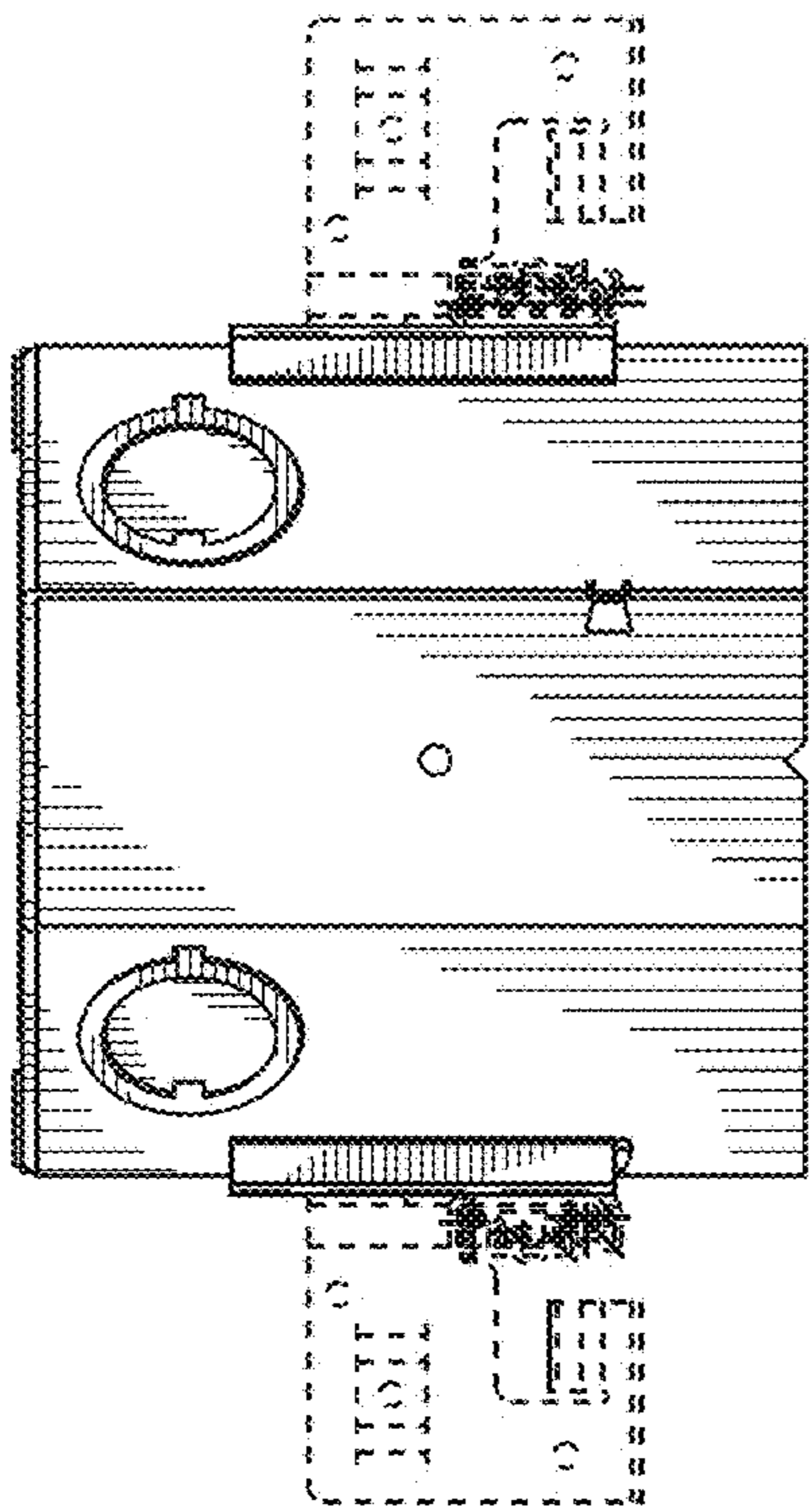


FIG. 9

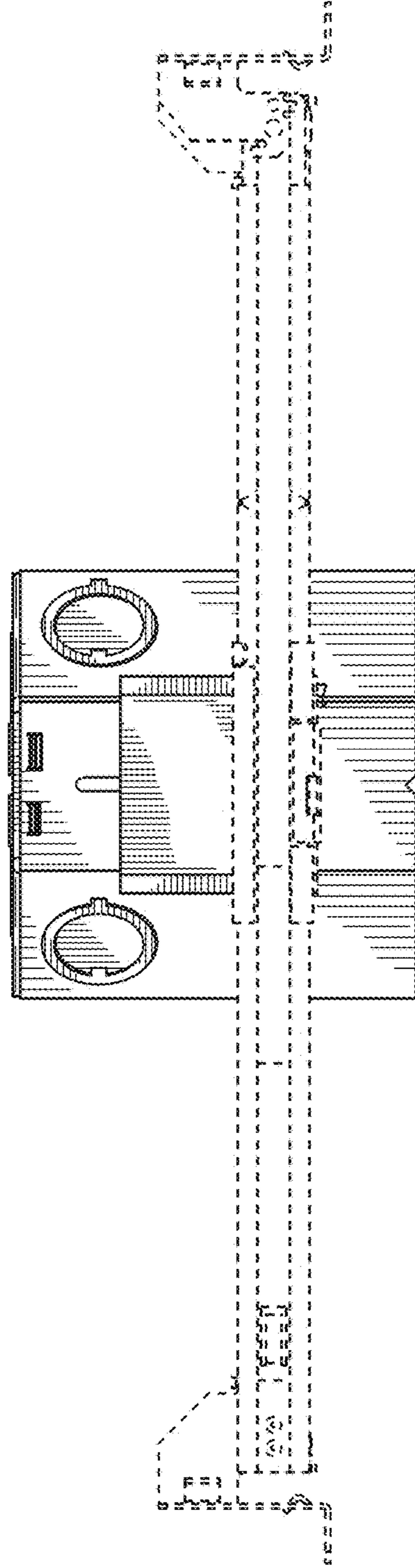


FIG. 10

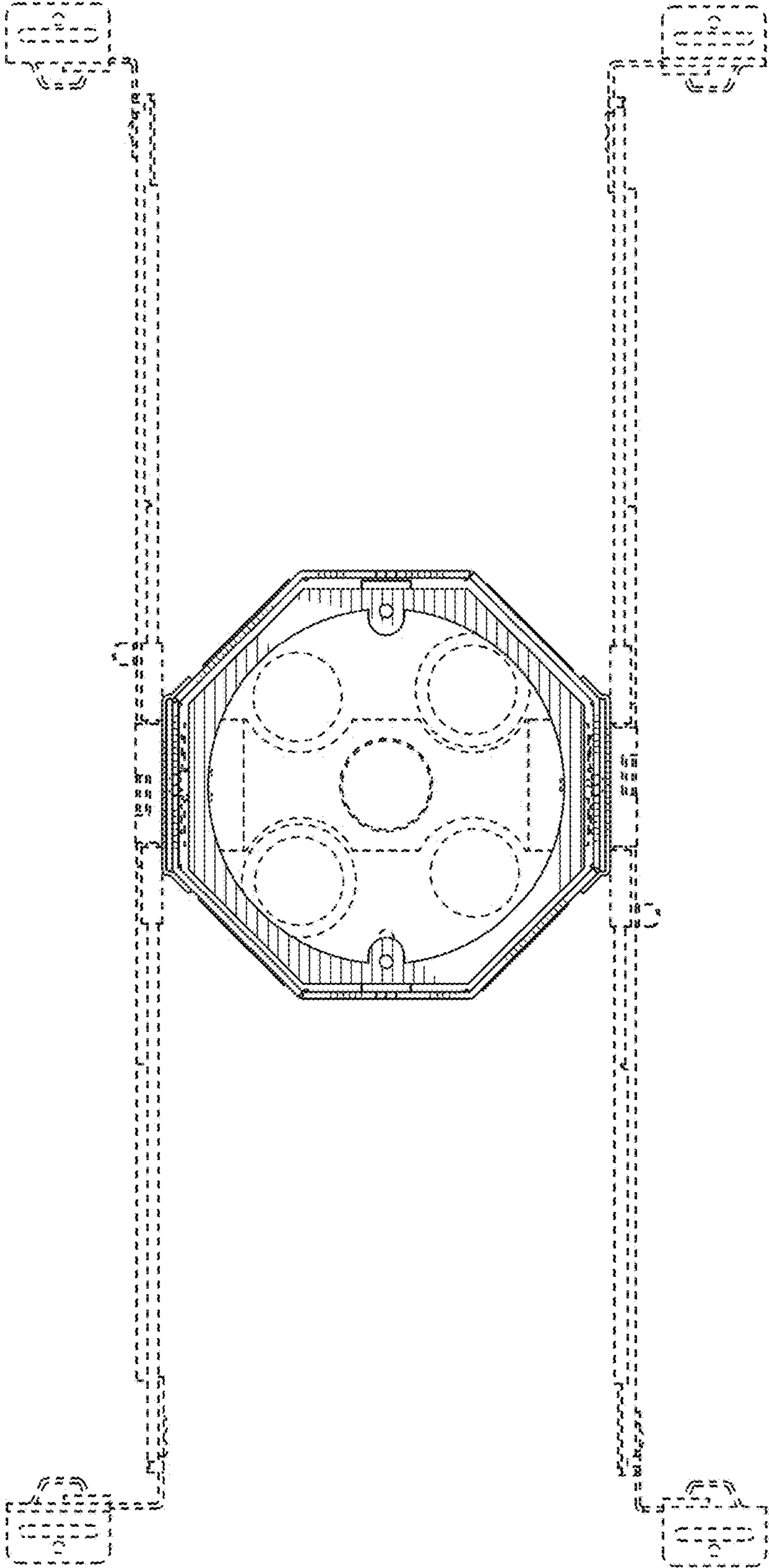


FIG. 11

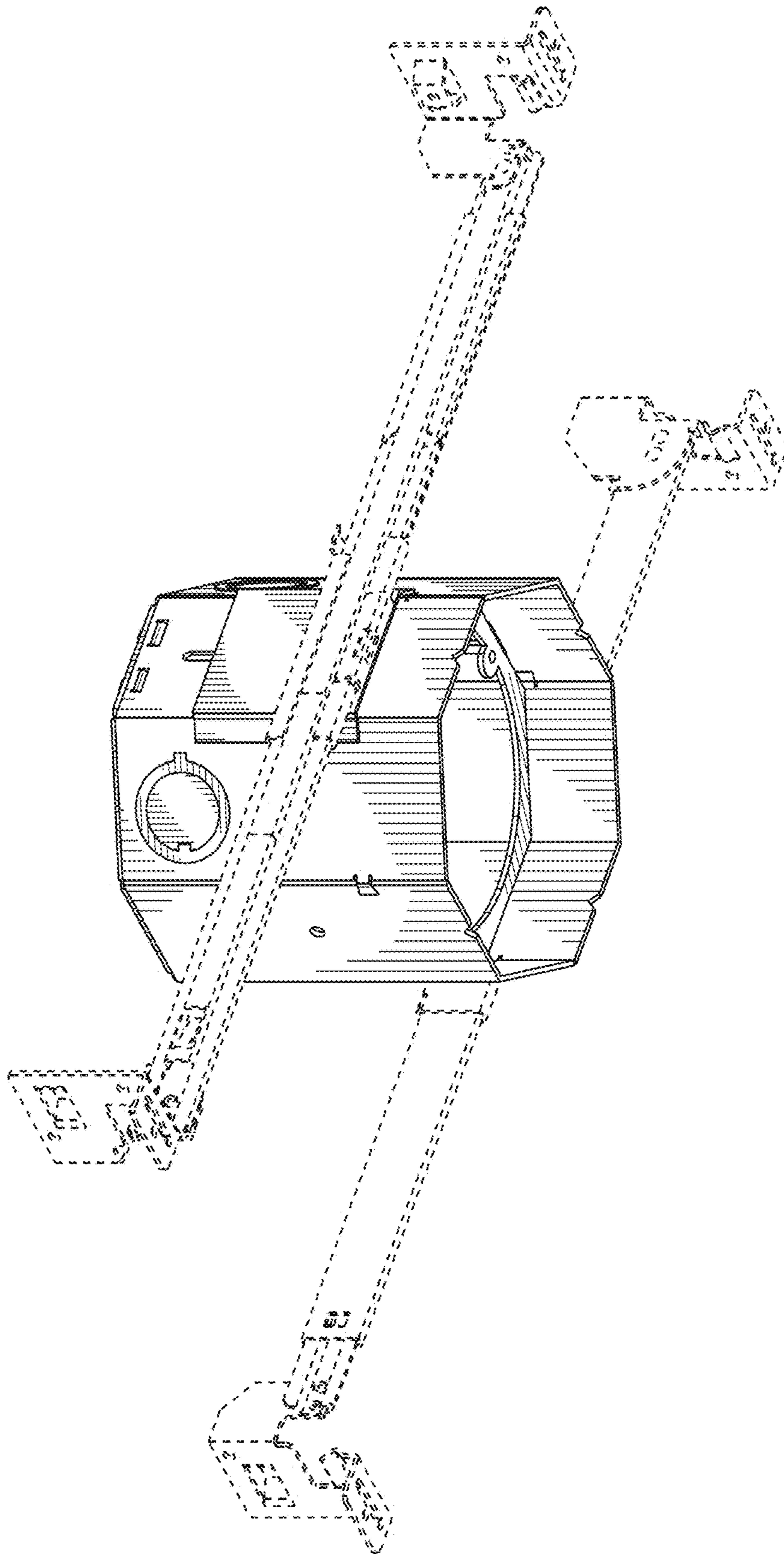


FIG. 12