



US00D851042S

(12) **United States Design Patent** (10) **Patent No.:** **US D851,042 S**
Pan et al. (45) **Date of Patent:** **** Jun. 11, 2019**

(54) **POWER SUPPLY SOCKET**

(71) Applicant: **Ze Chen**, Yueqing, Zhejiang Province (CN)

(72) Inventors: **Xincheng Pan**, Huizhou (CN); **Gui Chen**, Wenzhou (CN); **Hanliang Yu**, Tongzhou (CN)

(73) Assignee: **Ze Chen**, Yueqing (CN)

(**) Term: **15 Years**

(21) Appl. No.: **29/546,140**

(22) Filed: **Nov. 19, 2015**

(30) **Foreign Application Priority Data**

Jul. 8, 2015 (CN) 2015 3 0241782

(51) **LOC (11) Cl.** **13-03**

(52) **U.S. Cl.**

USPC **D13/139.1**

(58) **Field of Classification Search**

USPC ... D13/139.1–139.8, 137.1–137.4, 152, 154, D13/156, 147; 361/42; 174/66

CPC H01H 71/62; H02G 3/14; A47B 21/06

See application file for complete search history.

(56) **References Cited**

U.S. PATENT DOCUMENTS

D413,862 S * 9/1999 Huang D13/139.3

D419,531 S * 1/2000 Keung D13/139.3

D427,887 S * 7/2000 Leopold D13/154

D430,539 S * 9/2000 Leopold D13/139.3

6,278,062 B1 * 8/2001 Sowdon H02G 3/14
174/66

D451,479 S * 12/2001 Bateson D13/152

6,329,596 B1 * 12/2001 Justiniano H02G 3/14
174/66

D462,660 S * 9/2002 Huang D13/139.3

D470,108 S * 2/2003 Daoxian D13/139.3

D494,139 S * 8/2004 Allen, Jr. D13/139.3

D502,687 S * 3/2005 Sherman D13/156

7,031,125 B2 * 4/2006 Germain H01H 73/14
361/42

D521,932 S * 5/2006 Fort D13/139.6

D523,397 S * 6/2006 Maglionico D13/137.2

D535,255 S * 1/2007 Bazayev D13/139.3

7,209,330 B2 * 4/2007 DiSalvo H01H 71/62
361/42

D542,223 S * 5/2007 Bazayev D13/139.3

D545,272 S * 6/2007 Zhang D13/139.3

D571,730 S * 6/2008 Kidman D13/139.3

D604,873 S * 11/2009 Richter D13/177

D611,900 S * 3/2010 Yang D13/108

D674,753 S * 1/2013 Jansen D13/139.1

D686,159 S * 7/2013 Takahashi D13/147

D686,577 S * 7/2013 Flagello D13/152

D692,385 S * 10/2013 Dodal D13/139.1

D693,305 S * 11/2013 Kuo D13/137.2

(Continued)

Primary Examiner — Rhea Shields
 (74) *Attorney, Agent, or Firm* — Mei & Mark LLP

(57) **CLAIM**

The ornamental design for a power supply socket, as shown and described.

DESCRIPTION

FIG. 1 is a front view of a power supply socket showing a first embodiment of my new design;

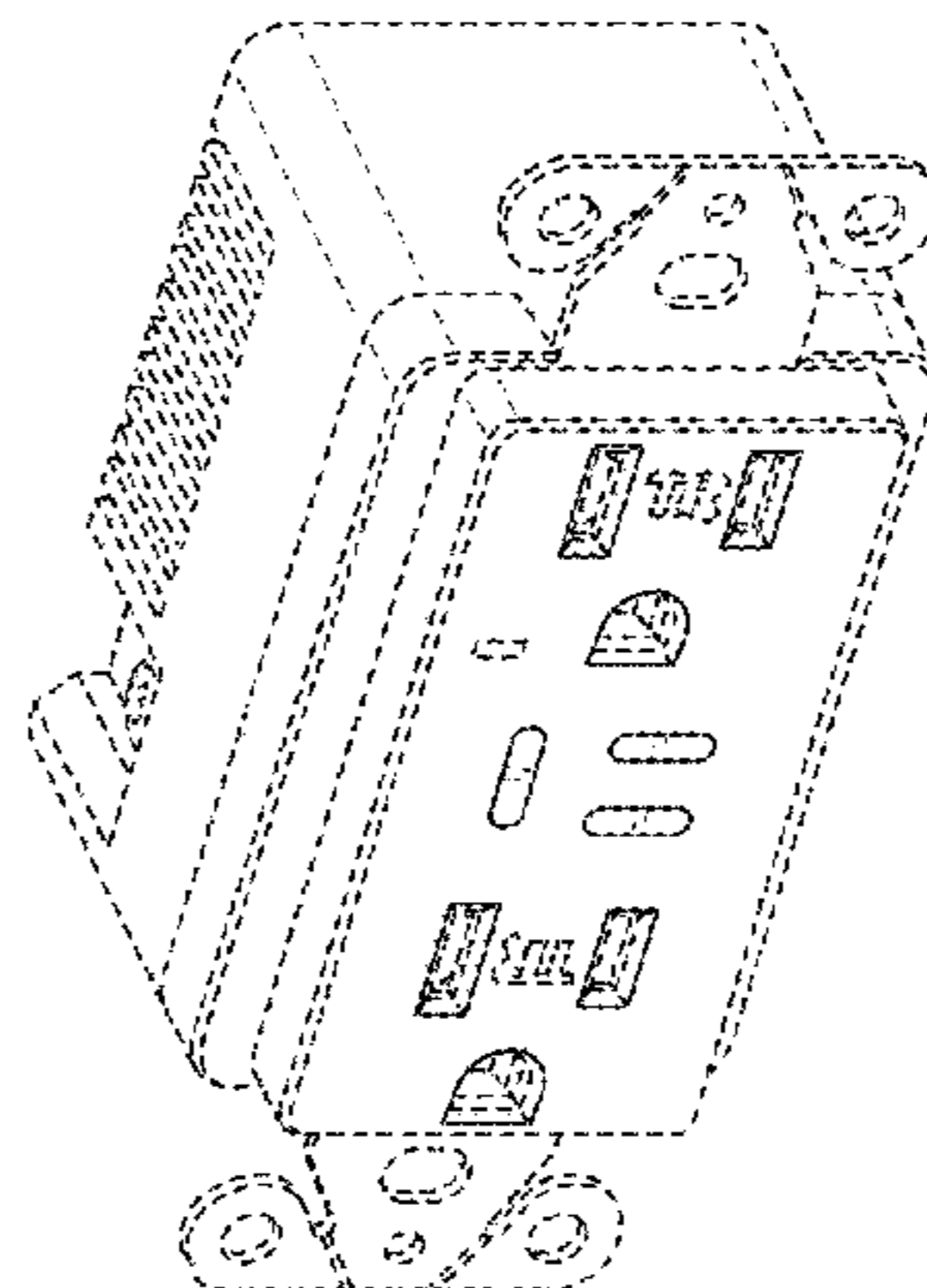
FIG. 2 is a front top right perspective side view thereof;

FIG. 3 is a front view of a power supply socket showing a second embodiment of my new design; and,

FIG. 4 is a front top right perspective side view thereof.

The portions depicted in broken lines are environment and form no part of the claimed design. The portions of the power supply socket not shown in the drawings are not visible during use and form no part of the claimed design.

1 Claim, 2 Drawing Sheets



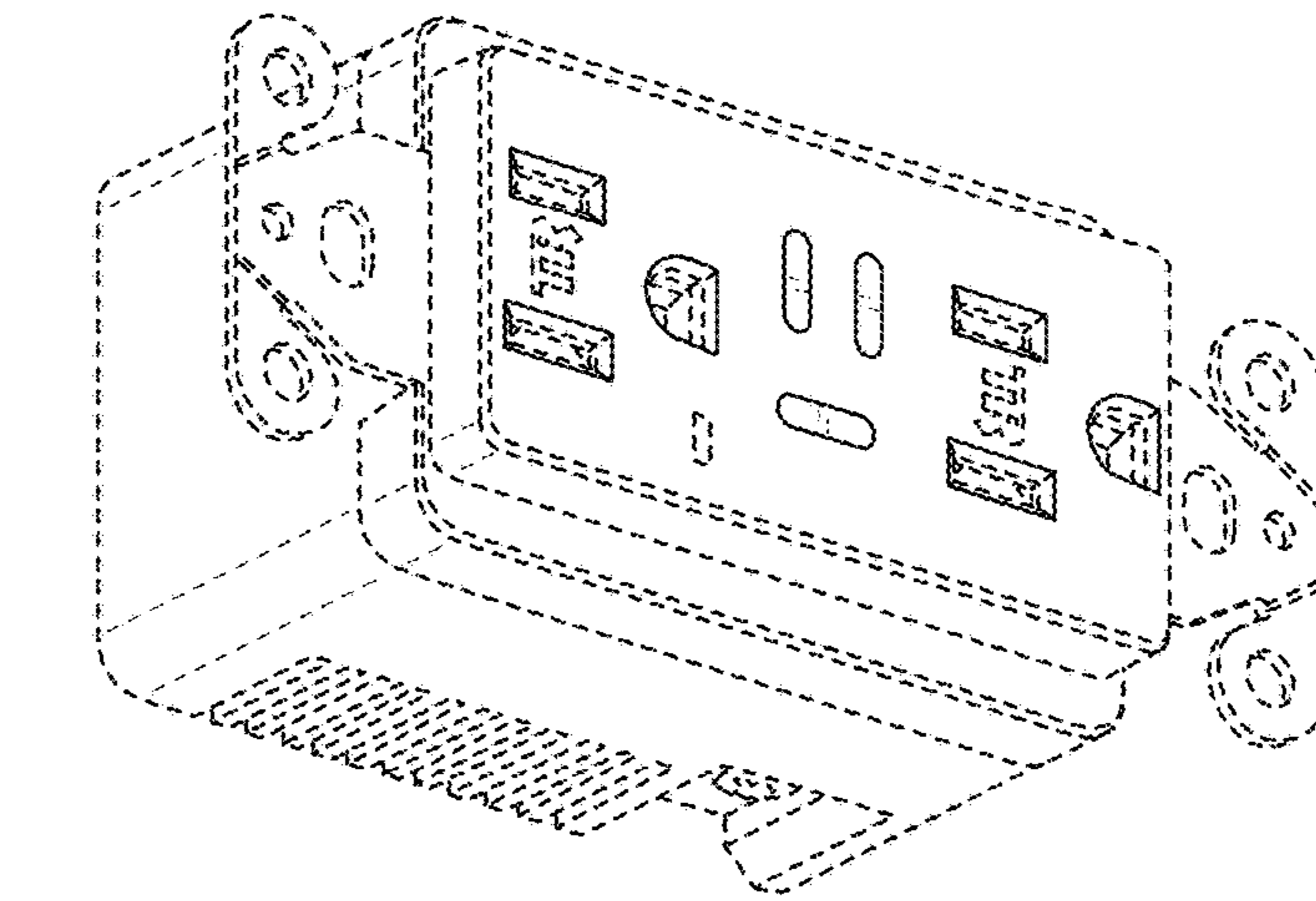


FIG. 1

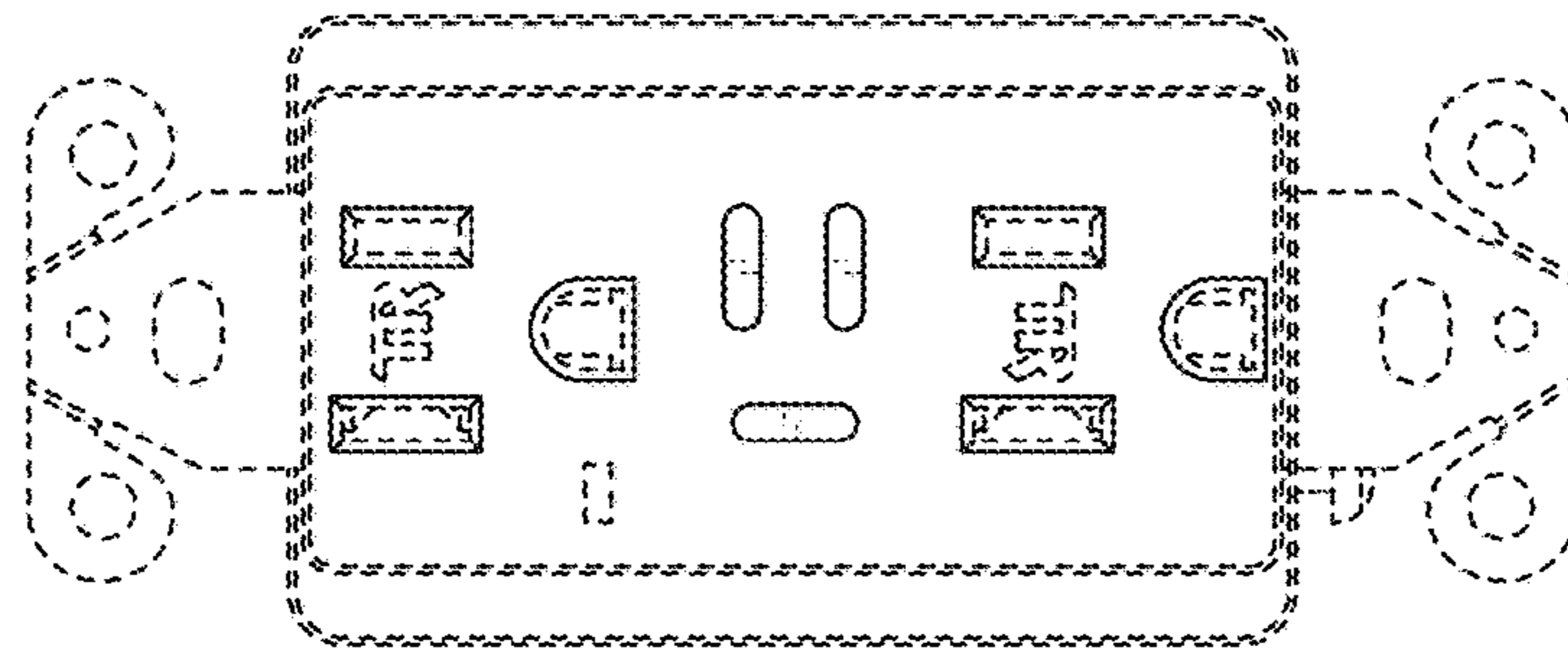


FIG. 2

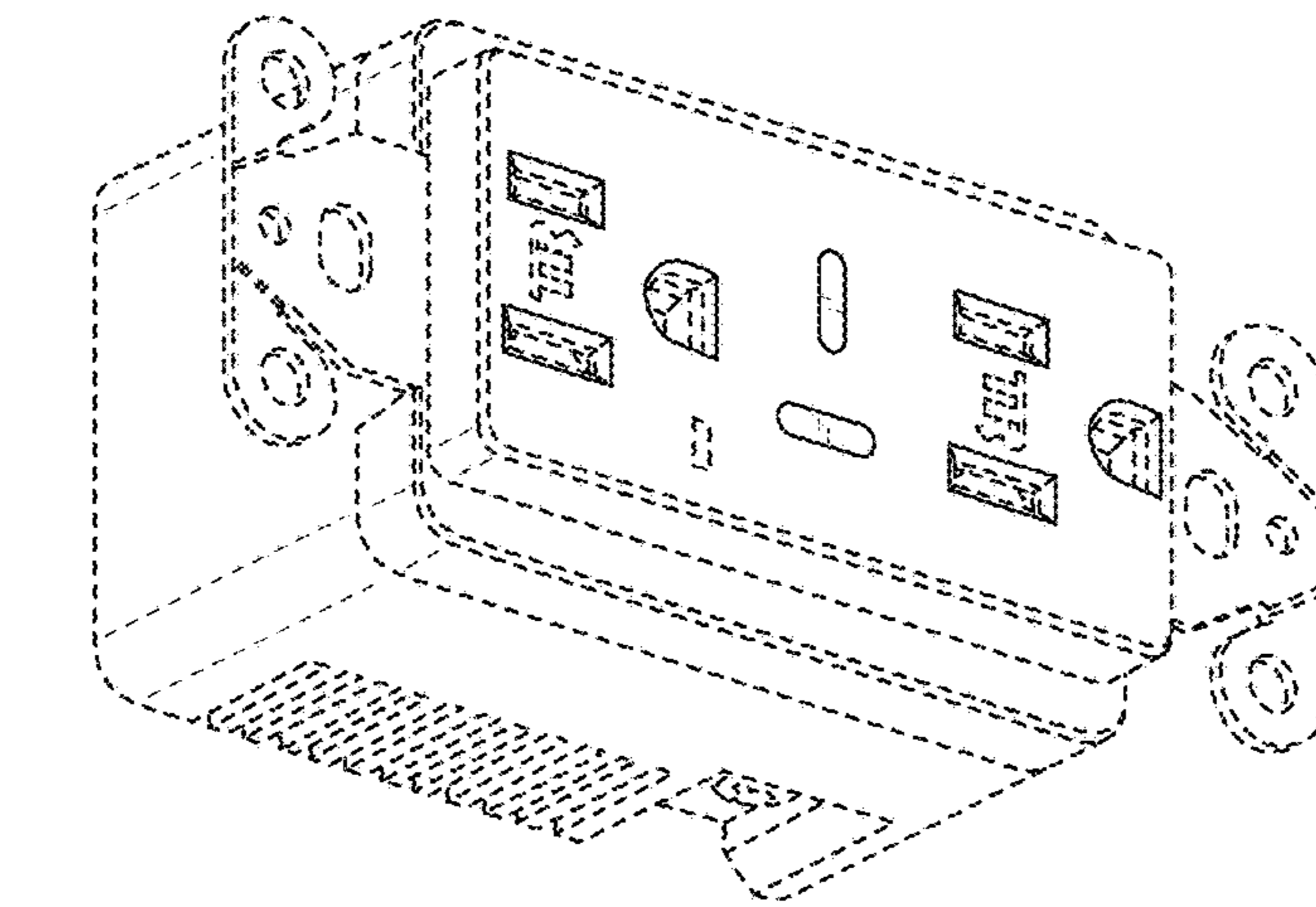


FIG. 4

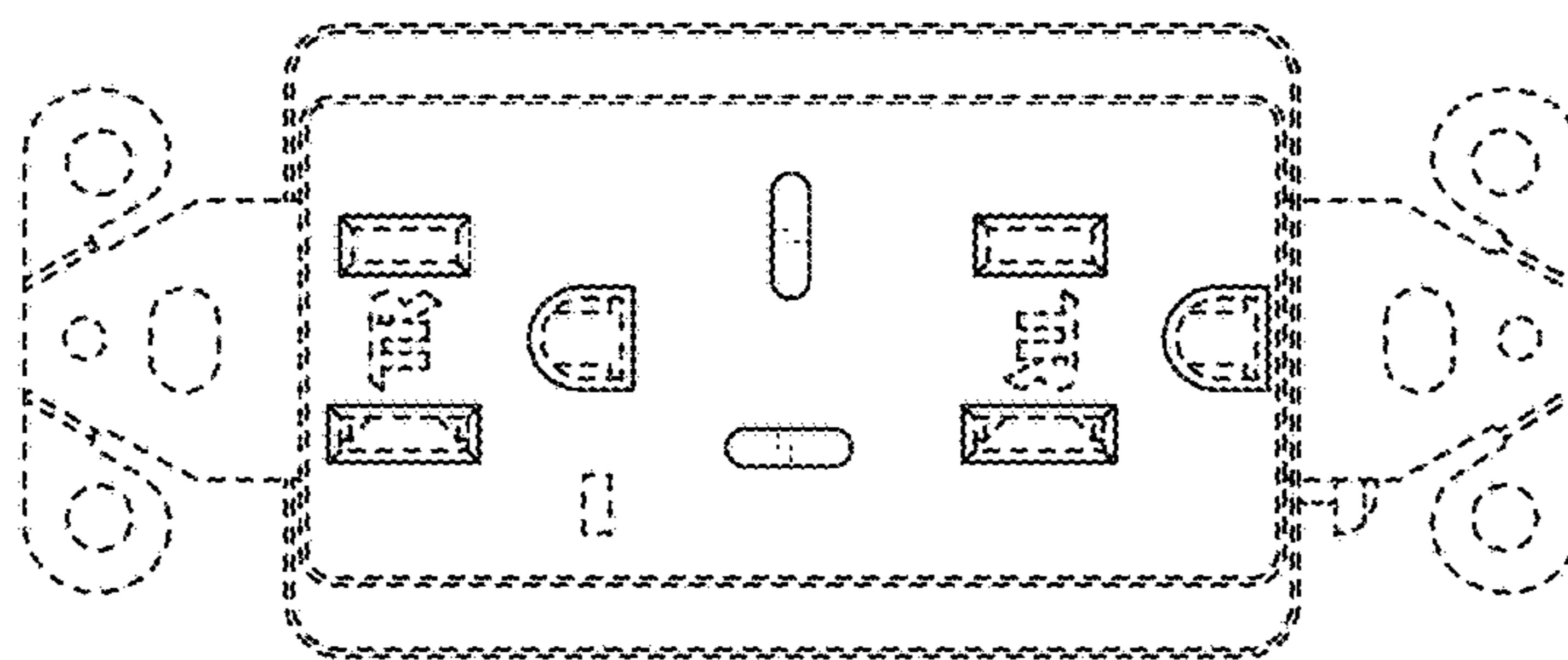


FIG. 3