



US00D851041S

(12) **United States Design Patent**
Nakamura

(10) **Patent No.:** **US D851,041 S**
(45) **Date of Patent:** **** Jun. 11, 2019**

(54) **ELECTRICAL CONNECTOR**
(71) Applicant: **Japan Aviation Electronics Industry, Limited, Tokyo (JP)**
(72) Inventor: **Keisuke Nakamura, Tokyo (JP)**
(73) Assignee: **JAPAN AVIATION ELECTRONICS INDUSTRY, LIMITED, Tokyo (JP)**

(**) Term: **15 Years**
(21) Appl. No.: **29/645,447**
(22) Filed: **Apr. 26, 2018**

(30) **Foreign Application Priority Data**
Nov. 1, 2017 (JP) 2017-024396
(51) **LOC (11) Cl.** **13-03**
(52) **U.S. Cl.**
USPC **D13/133**
(58) **Field of Classification Search**
USPC D13/118, 123, 133, 146, 147, 149, 154, D13/173, 184, 199
CPC H01H 85/542; H01H 85/2035; H01H 85/2045; H01R 12/71; H01R 12/75; H01R 12/77; H01R 12/778; H01R 12/81; H01R 13/56; H01R 13/58; H01R 13/582; H01R 13/627; H01R 13/6273; H01R 13/639; H01R 13/68; H01R 4/18; H01R 4/24; H01R 4/48; H01R 4/62; H01R 9/24; H01R 13/04; H01R 13/11; H01R 13/115

See application file for complete search history.

(56) **References Cited**
U.S. PATENT DOCUMENTS
3,123,431 A * 3/1964 Keller H01R 4/185 29/518
5,104,332 A * 4/1992 McCoy H01R 13/28 439/215

5,266,056 A * 11/1993 Baderschneider ... H01R 13/432 439/745
7,198,526 B1 * 4/2007 MacNeil H01R 4/185 439/881
D556,136 S * 11/2007 Shiga D13/133
D592,602 S * 5/2009 Ogata D13/154
9,692,163 B1 * 6/2017 Didonato H01R 4/70
D813,817 S * 3/2018 Kataoka D13/133
10,079,440 B1 * 9/2018 Didonato H01R 4/48

(Continued)

FOREIGN PATENT DOCUMENTS

JP 2018073612 A * 5/2018 H01R 12/75

Primary Examiner — Angela J Lee
Assistant Examiner — Shawn T Gingrich
(74) *Attorney, Agent, or Firm* — Manabu Kanesaka

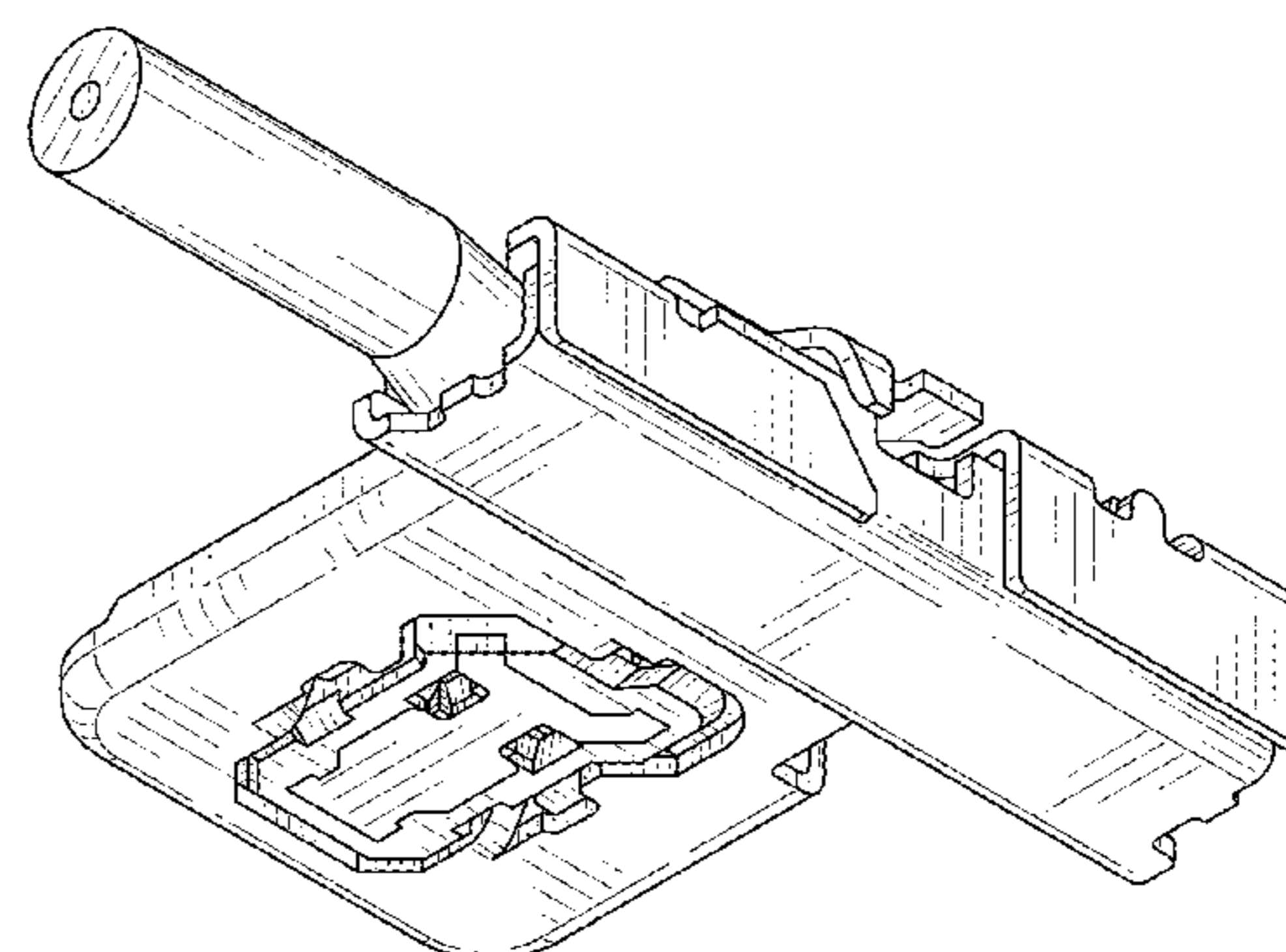
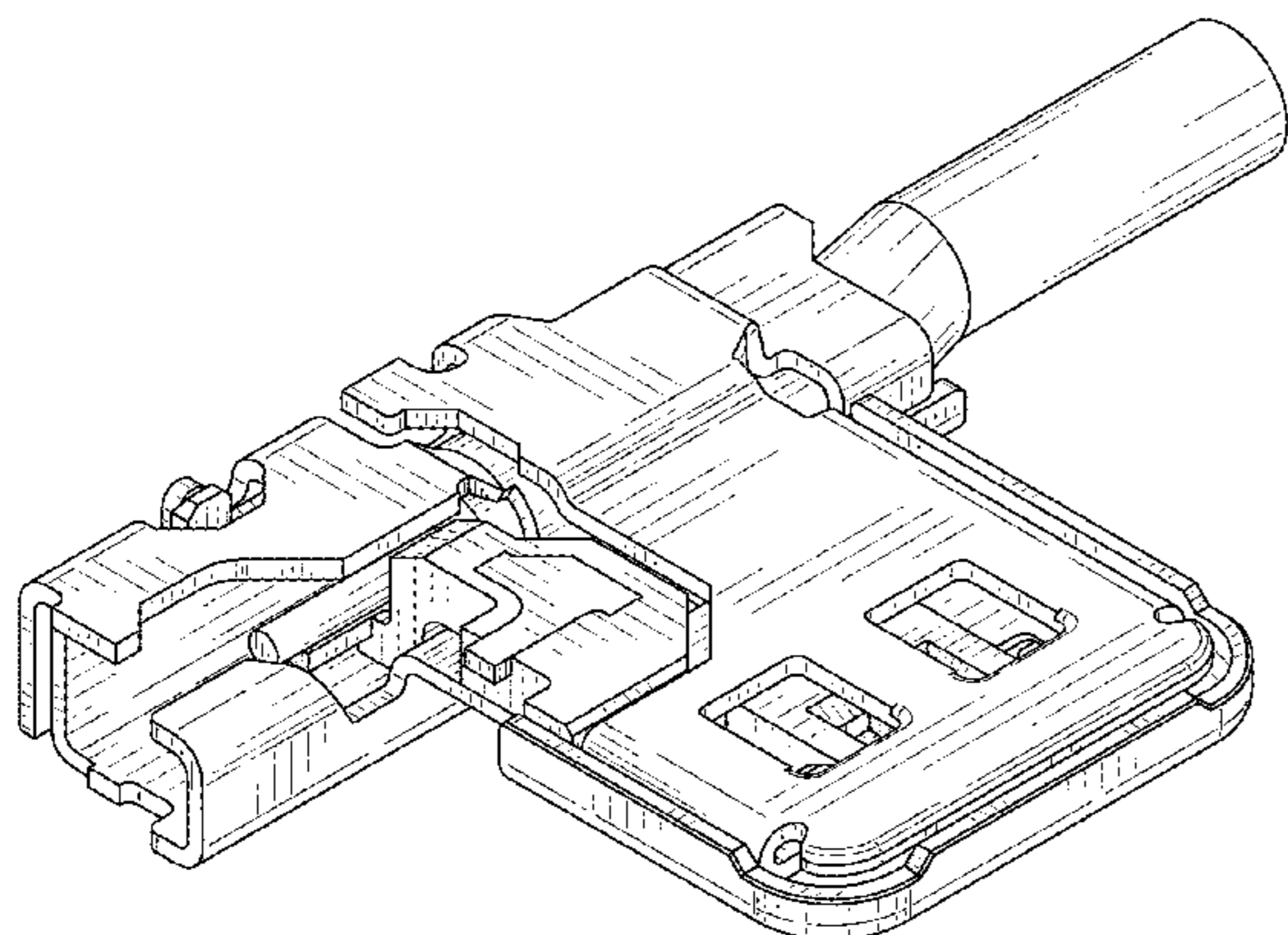
(57) **CLAIM**

The ornamental design for an electrical connector, as shown and described.

DESCRIPTION

FIG. 1 is a front elevational view of an electrical connector showing my new design;
FIG. 2 is a rear elevational view thereof;
FIG. 3 is a right side elevational view thereof;
FIG. 4 is a left side elevational view thereof;
FIG. 5 is a top plan view thereof;
FIG. 6 is a bottom plan view thereof;
FIG. 7 is a perspective view showing a front, top and right side thereof;
FIG. 8 is a perspective view showing a rear, bottom and left side thereof;
FIG. 9 is a perspective view showing a front, right side and bottom thereof; and,
FIG. 10 is a perspective view showing a rear, left side and top thereof.
The broken line showing of the electrical connector is for the purpose of illustrating portions of the article and forms no part of the claimed design.

1 Claim, 6 Drawing Sheets



(56)

References Cited

U.S. PATENT DOCUMENTS

2006/0035538 A1* 2/2006 Suemitsu H01R 13/113
439/852
2018/0076532 A1* 3/2018 Iwasawa H01R 4/185
2018/0109010 A1* 4/2018 Takahashi H01R 4/185
2018/0123285 A1* 5/2018 Nakamura H01R 12/75

* cited by examiner

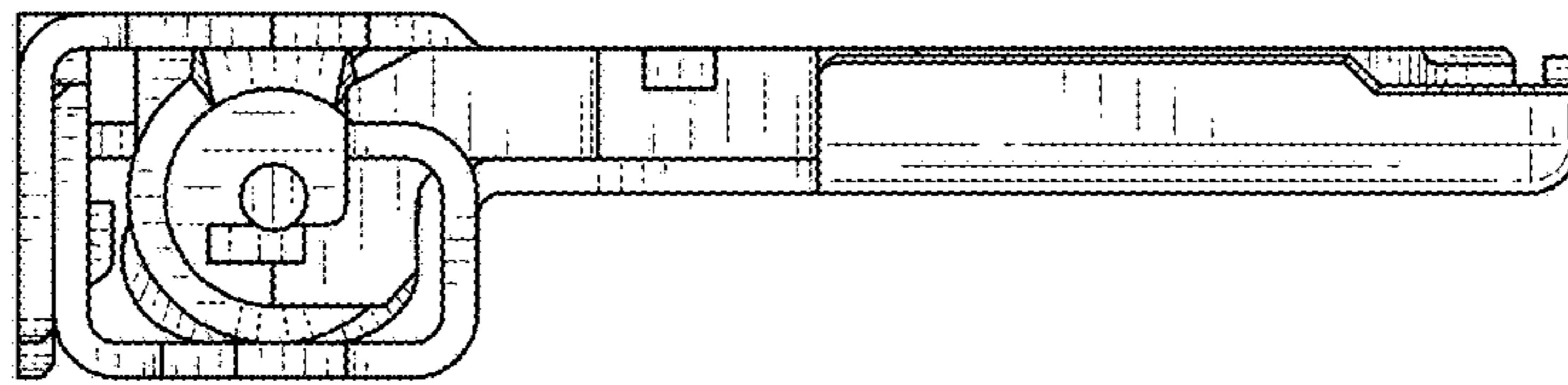


FIG. 1

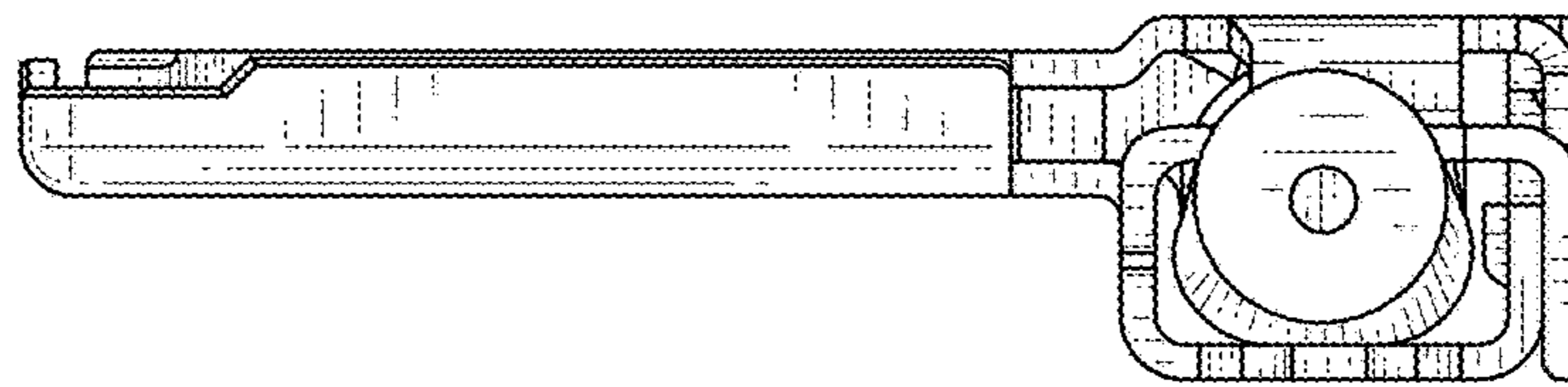


FIG. 2

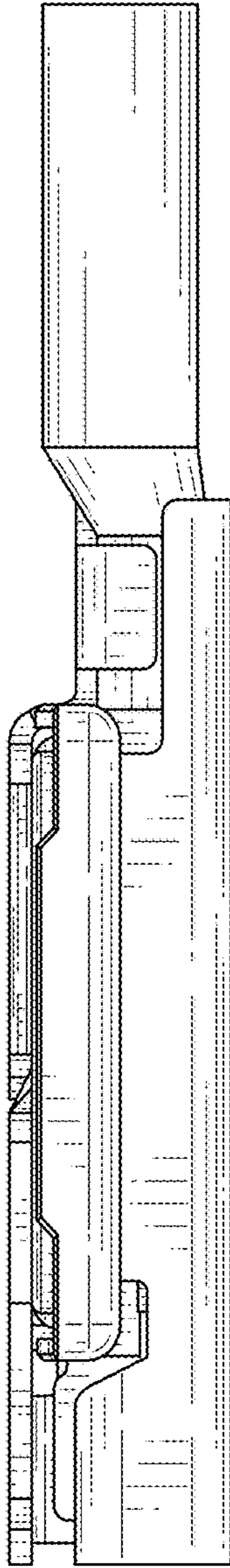


FIG. 3

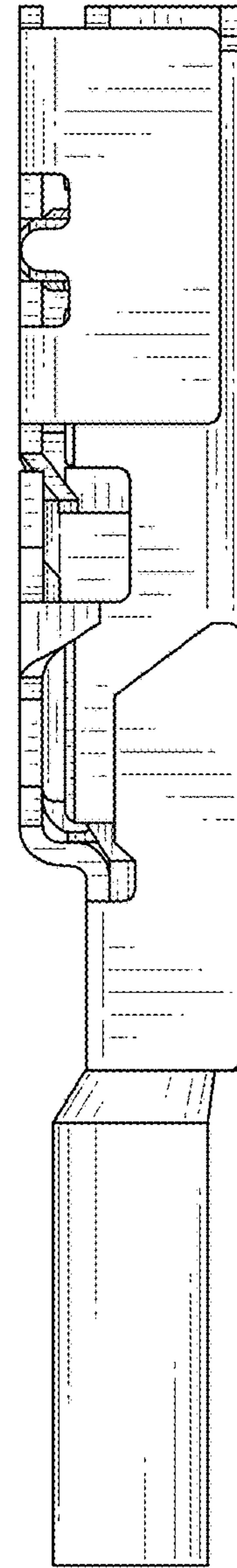


FIG. 4

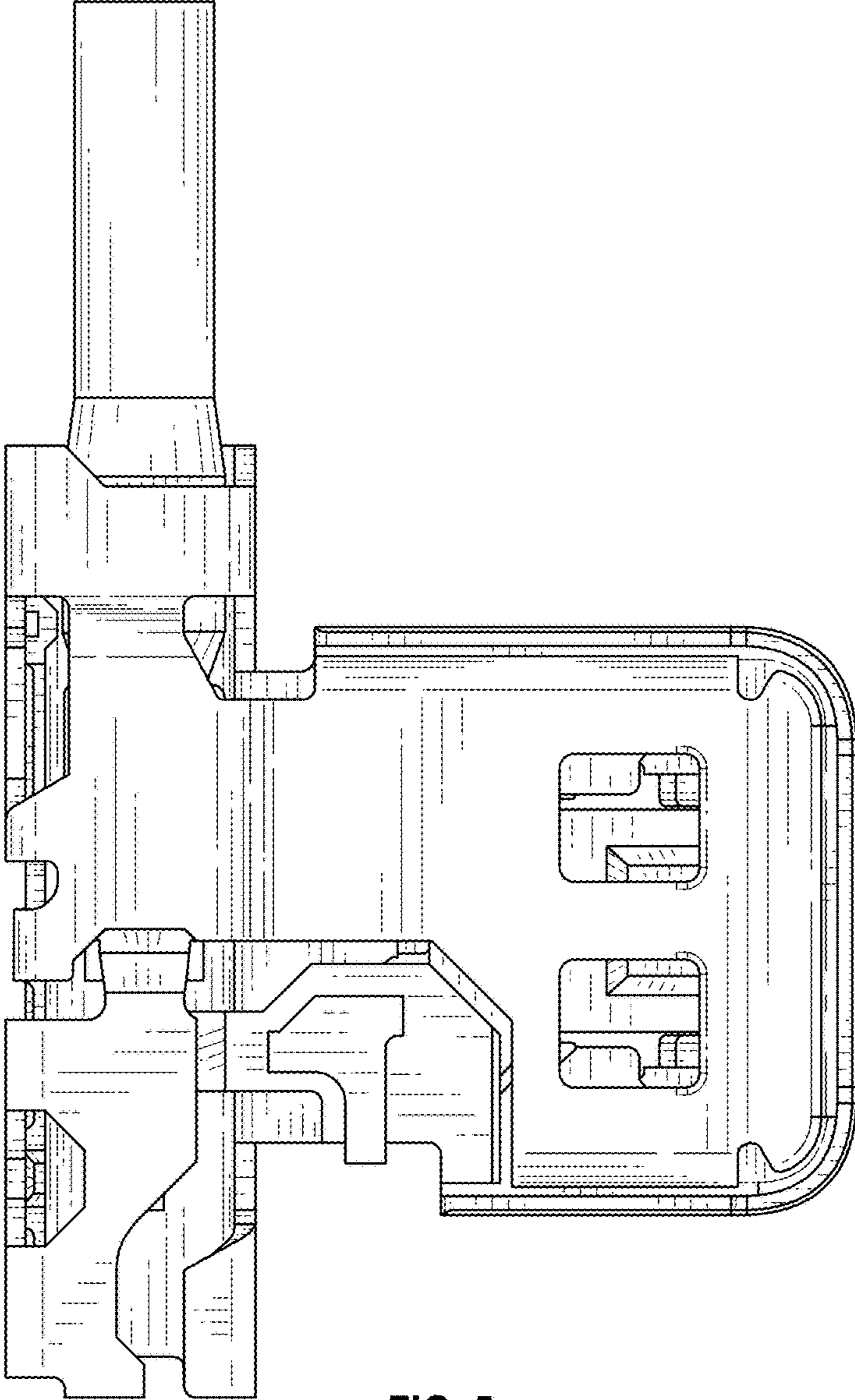


FIG. 5

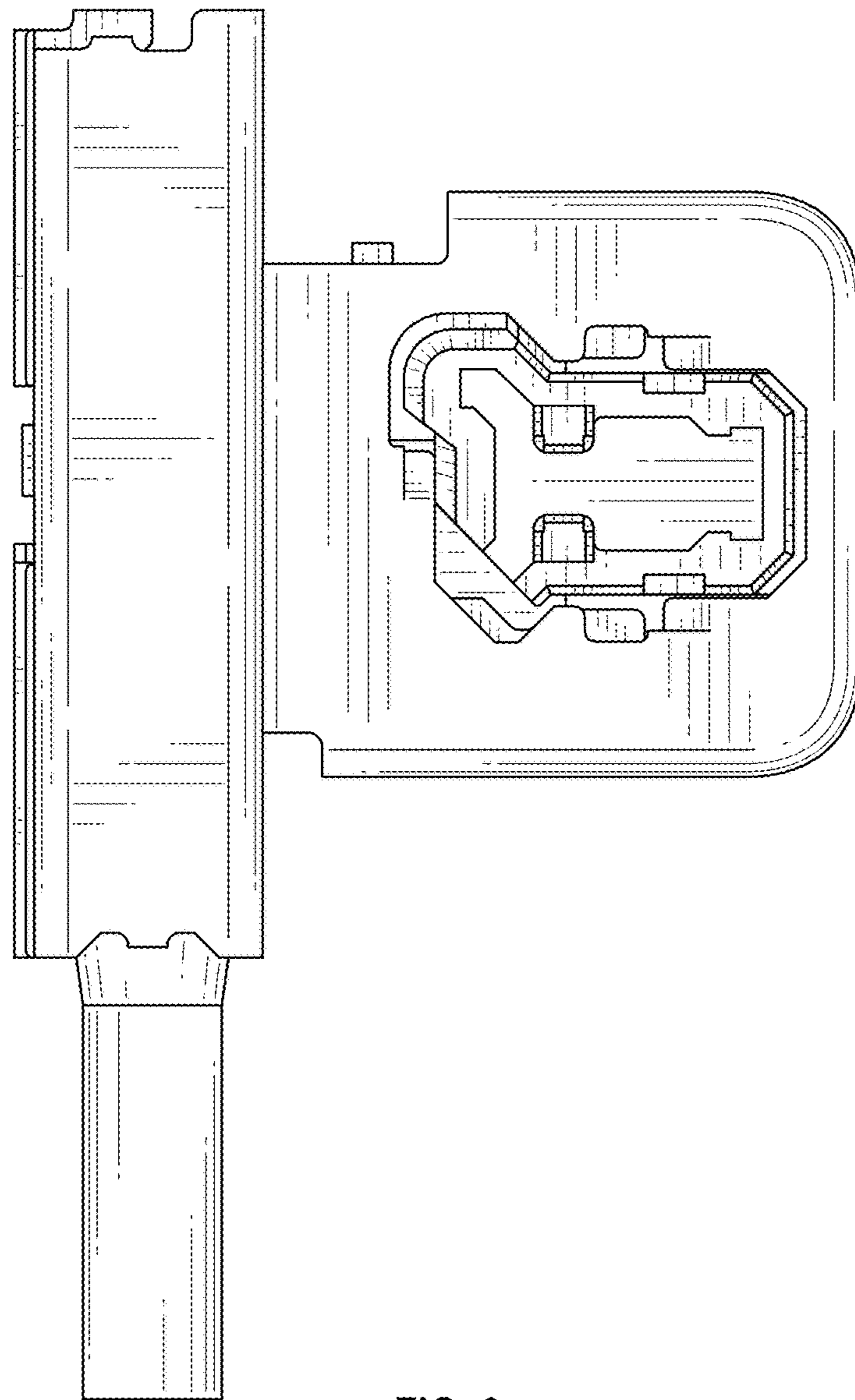


FIG. 6

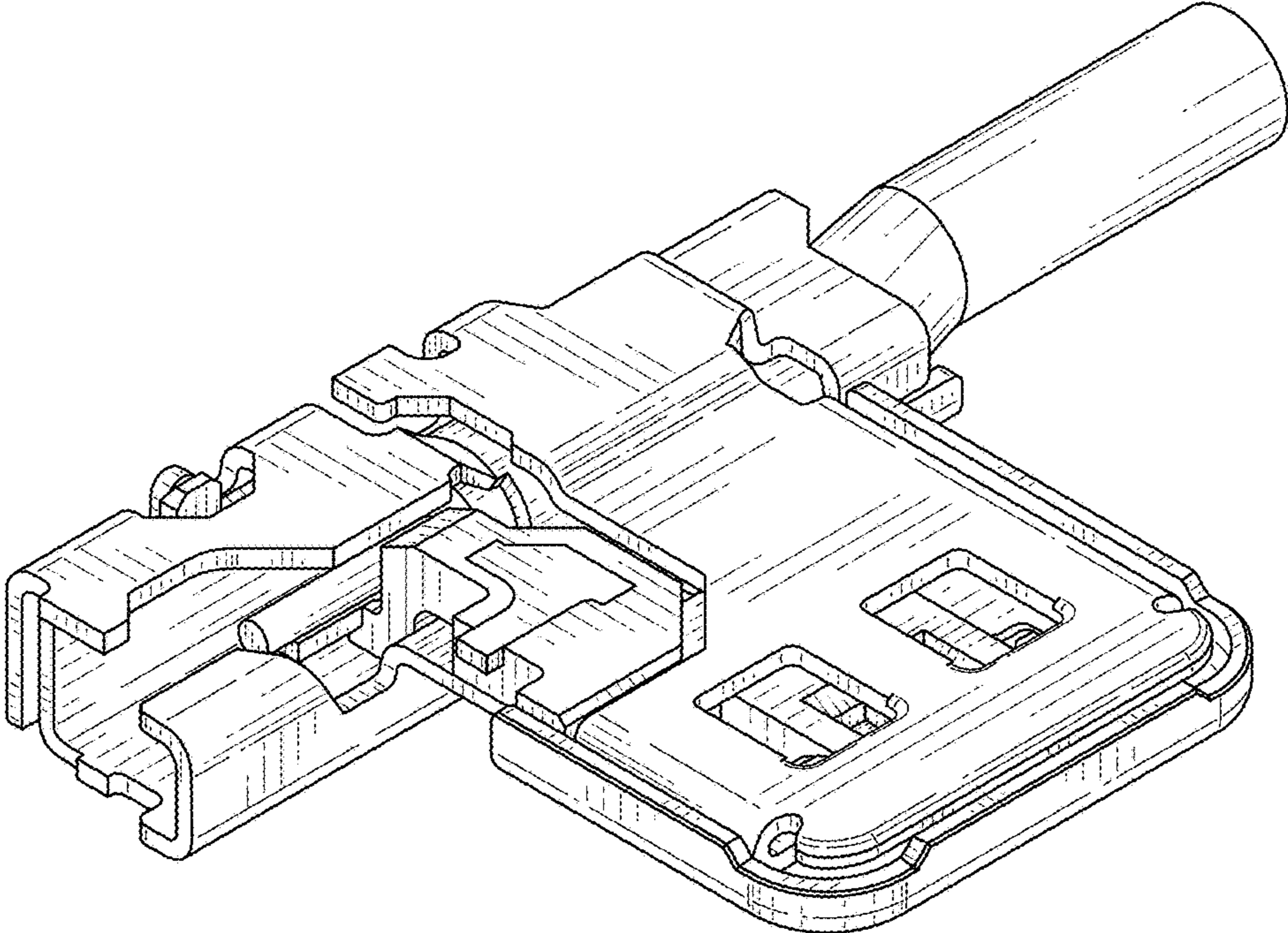


FIG. 7

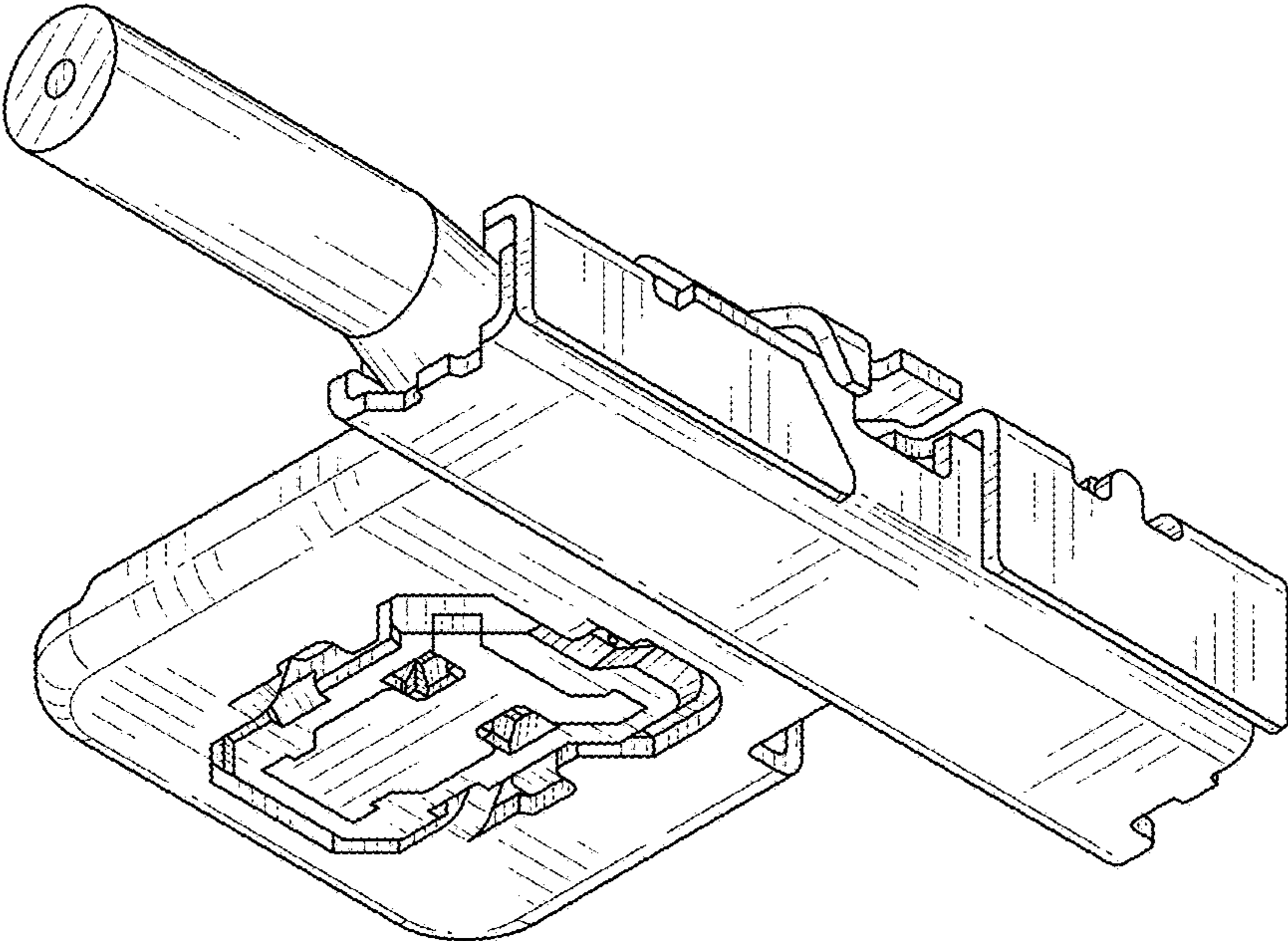


FIG. 8

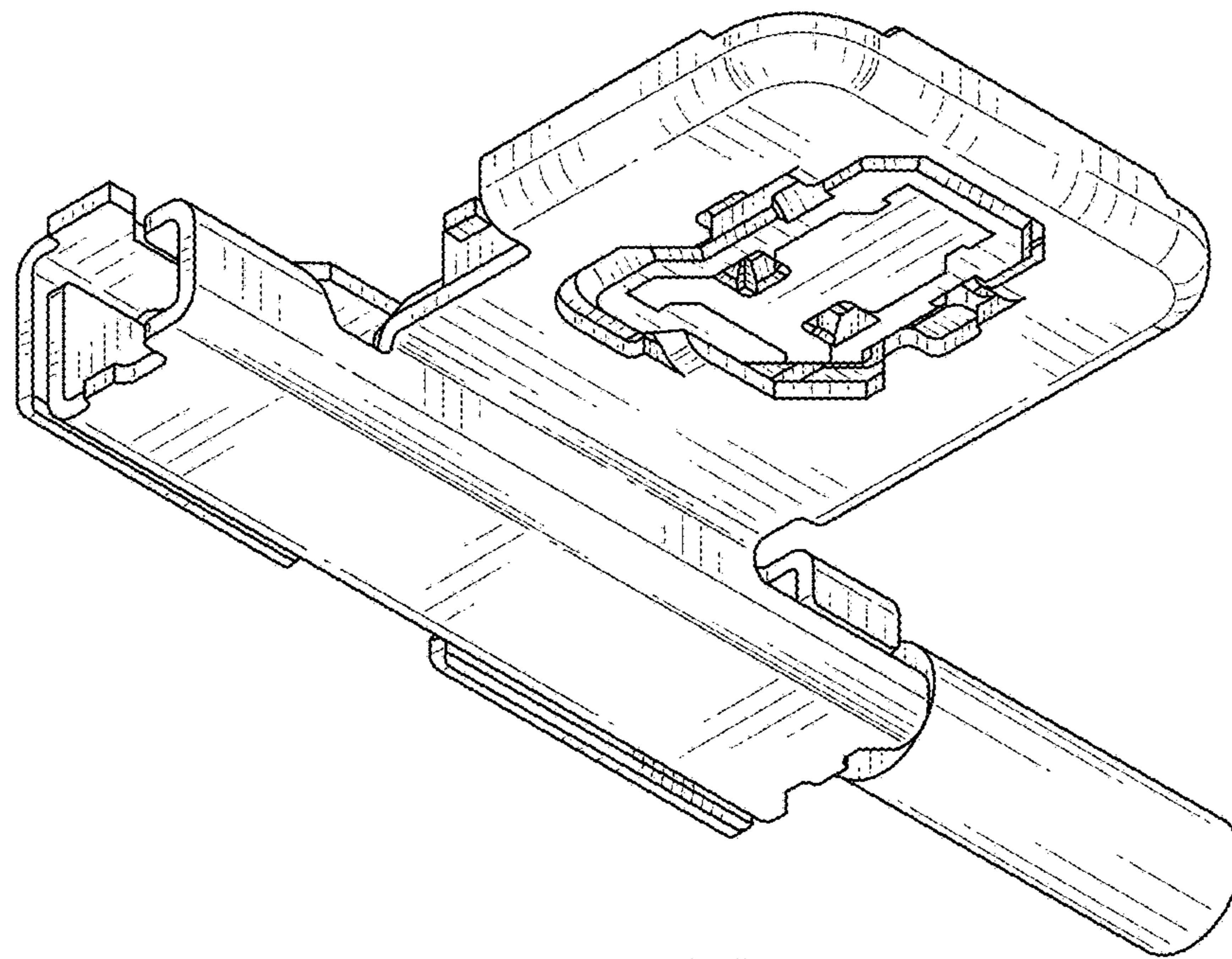


FIG. 9

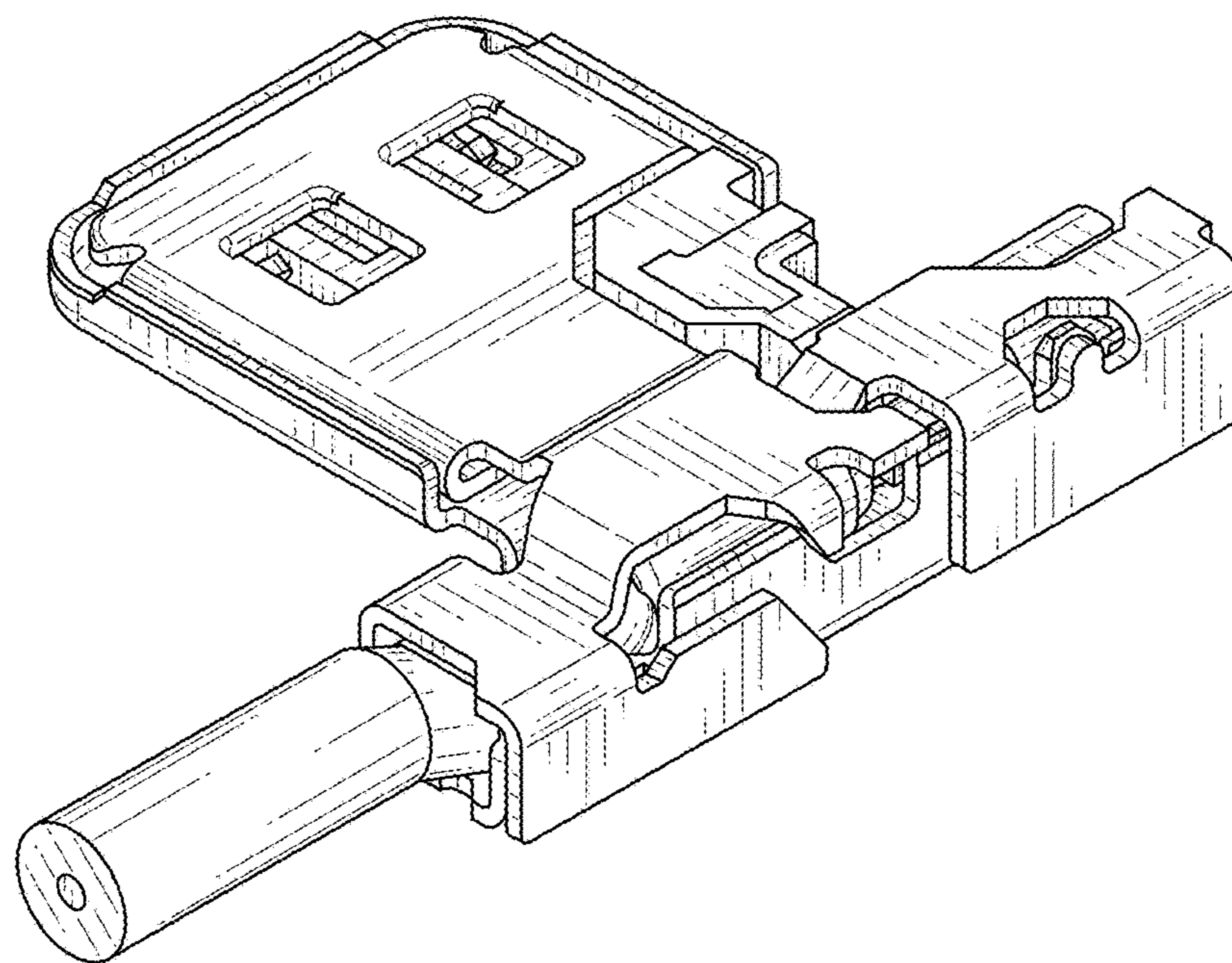


FIG. 10