



US00D851040S

(12) **United States Design Patent**  
**Martinez et al.**

(10) **Patent No.:** **US D851,040 S**  
(45) **Date of Patent:** **\*\* Jun. 11, 2019**

(54) **AIR TURBINE STARTER HOUSING**  
(71) Applicant: **Unison Industries, LLC**, Jacksonville, FL (US)  
(72) Inventors: **Luis Angel Martinez**, Querétaro (MX); **David Rawlins**, Tipp City, OH (US); **Hugo Fuentes**, Mexico City (MX)  
(73) Assignee: **Unison Industries, LLC**, Jacksonville, FL (US)

6,681,579 B2 \* 1/2004 Lane ..... F01D 25/18  
60/39.091  
D619,534 S \* 7/2010 Umehara ..... D13/112  
D650,332 S \* 12/2011 Pourkermani ..... D13/114  
D705,816 S \* 5/2014 Katada ..... D13/112  
D729,732 S \* 5/2015 Kasaba ..... D13/112  
D753,590 S \* 4/2016 Yamada ..... D13/112  
9,394,831 B2 \* 7/2016 Brust ..... F02C 7/268  
2007/0210671 A1 \* 9/2007 McMillan ..... H01R 39/381  
310/239

(\*\*) Term: **15 Years**

\* cited by examiner

*Primary Examiner* — Derrick E Holland

(74) *Attorney, Agent, or Firm* — McGarry Bair PC

(21) Appl. No.: **29/611,821**

(22) Filed: **Jul. 26, 2017**

(51) **LOC (11) Cl.** ..... **13-01**

(52) **U.S. Cl.**  
USPC ..... **D13/113**

(58) **Field of Classification Search**  
USPC ..... D13/110, 112, 113, 114, 118, 119, 122, D13/184, 199; D15/1, 5, 199  
CPC .... F02C 7/26; F02C 7/277; F01D 5/06; F01D 9/041; F05D 2220/32; F05D 2240/60; F05D 2260/85; F05D 2260/4031; F02N 7/00; F02N 7/08; H02K 7/1025; H02K 7/20918; H02K 5/06; H02K 5/225  
See application file for complete search history.

(56) **References Cited**

U.S. PATENT DOCUMENTS

D137,172 S \* 2/1944 Bluemink ..... D13/112  
4,509,896 A 4/1985 Linsker  
4,518,310 A 5/1985 Coons  
D297,426 S \* 8/1988 Mabuchi ..... D13/112  
4,960,085 A 10/1990 Coons  
5,267,539 A \* 12/1993 Becker ..... F02N 7/08  
123/179.31  
D347,619 S \* 6/1994 VanHorn ..... D13/113

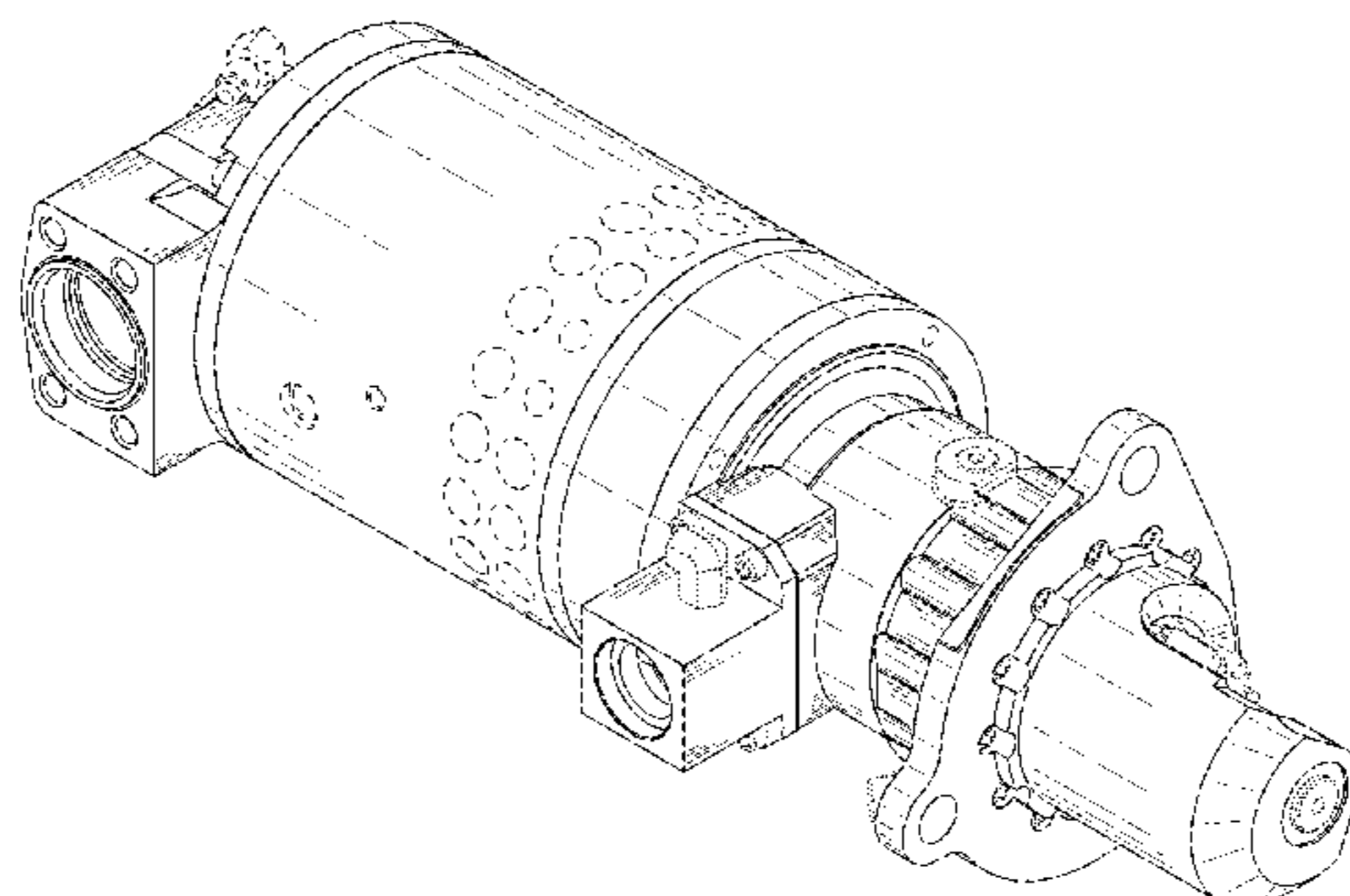
(57) **CLAIM**

The ornamental design for an air turbine starter housing, as shown and described.

**DESCRIPTION**

FIG. 1 is a front perspective view of an air turbine starter housing;  
FIG. 2 is a back perspective view of the air turbine starter housing of FIG. 1;  
FIG. 3 is a back view of the air turbine starter housing of FIG. 1;  
FIG. 4 is a top view of the air turbine starter housing of FIG. 1;  
FIG. 5 is a bottom view of the air turbine starter housing of FIG. 1;  
FIG. 6 is a right side view of the air turbine starter housing of FIG. 1; and,  
FIG. 7 is a left side view of the air turbine starter housing of FIG. 1.  
Portions of the air turbine starter housing shown in broken lines form no part of the claimed design.

**1 Claim, 7 Drawing Sheets**



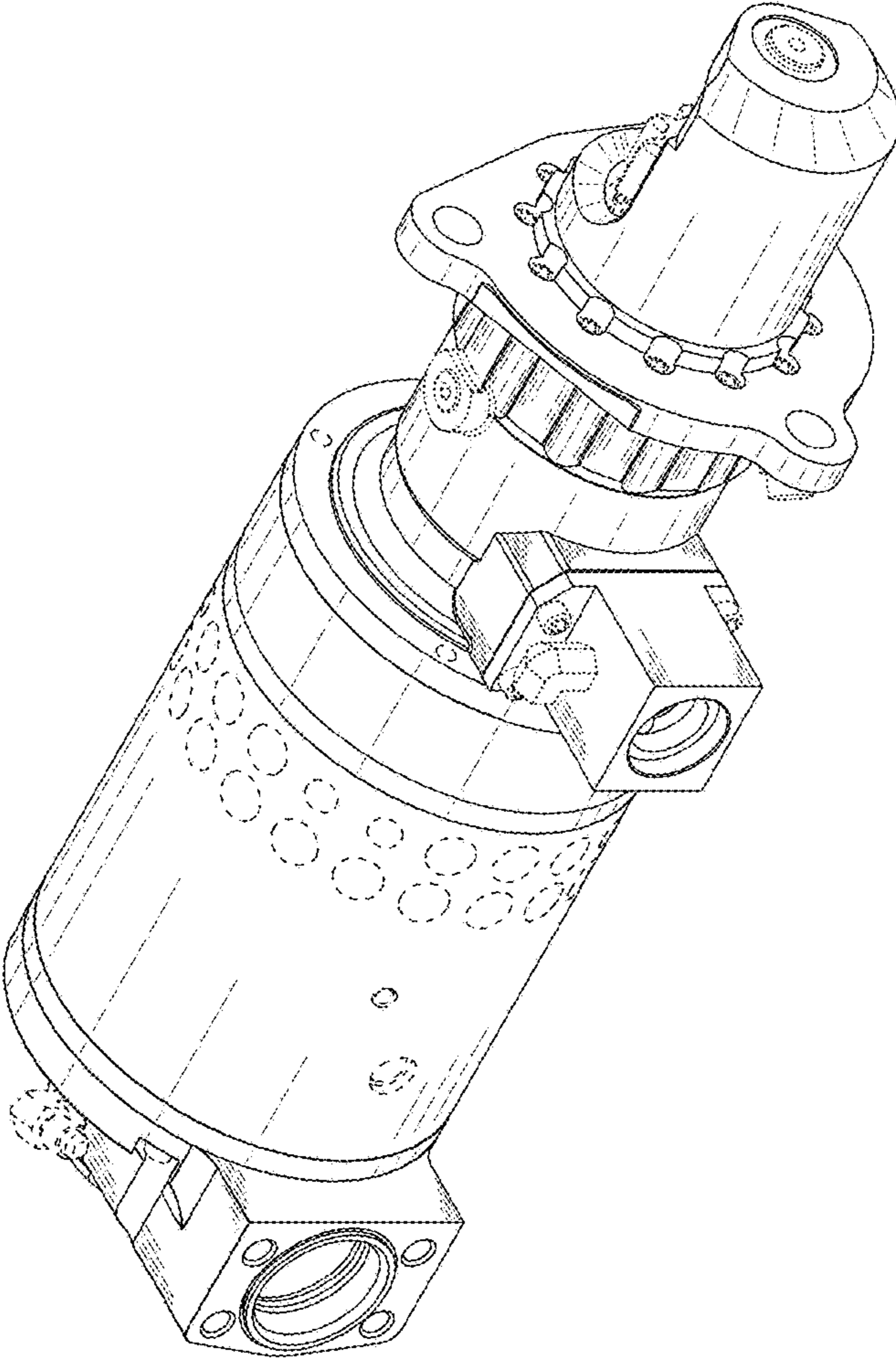


FIG. 1

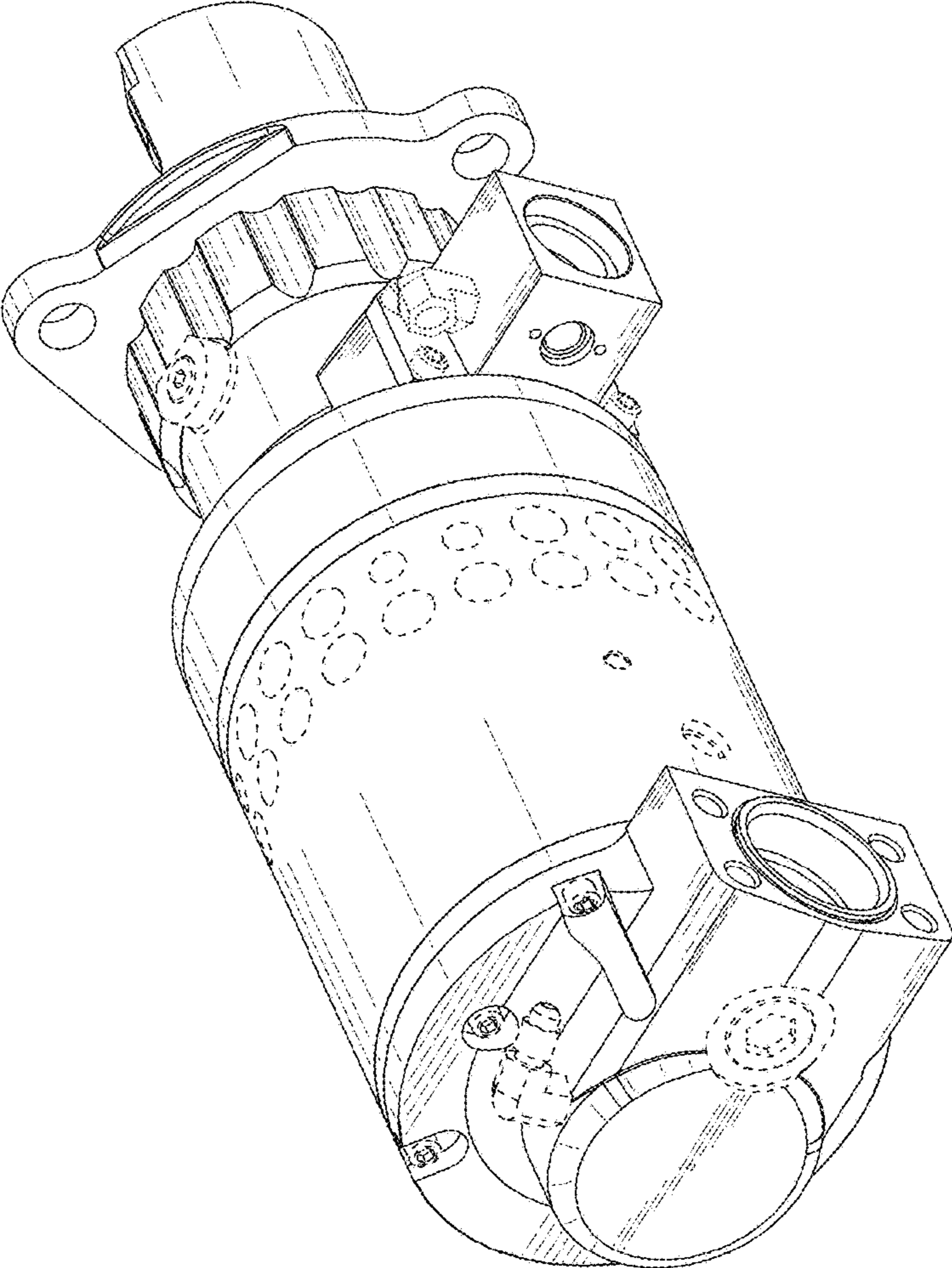


FIG. 2

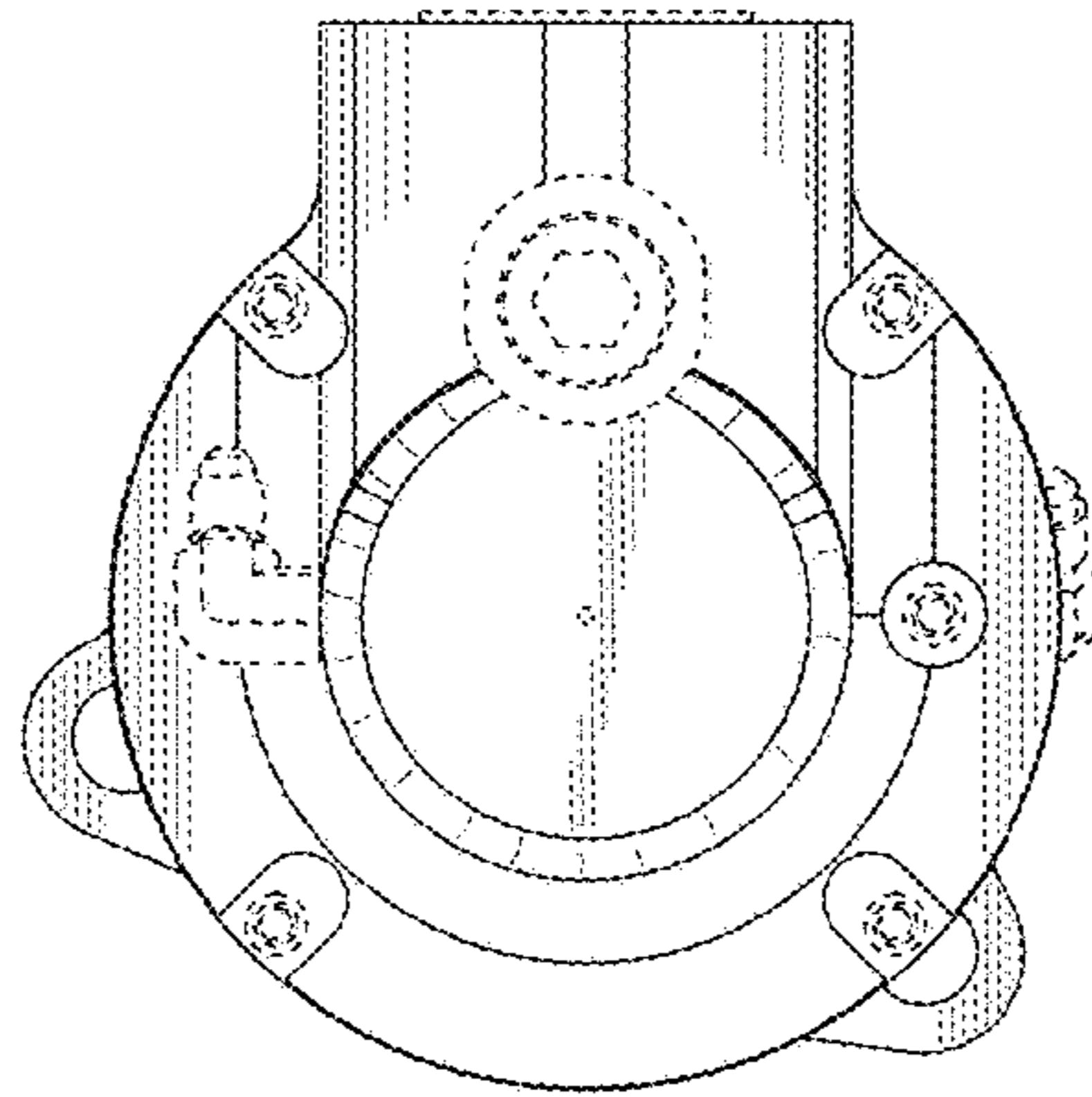


FIG. 3

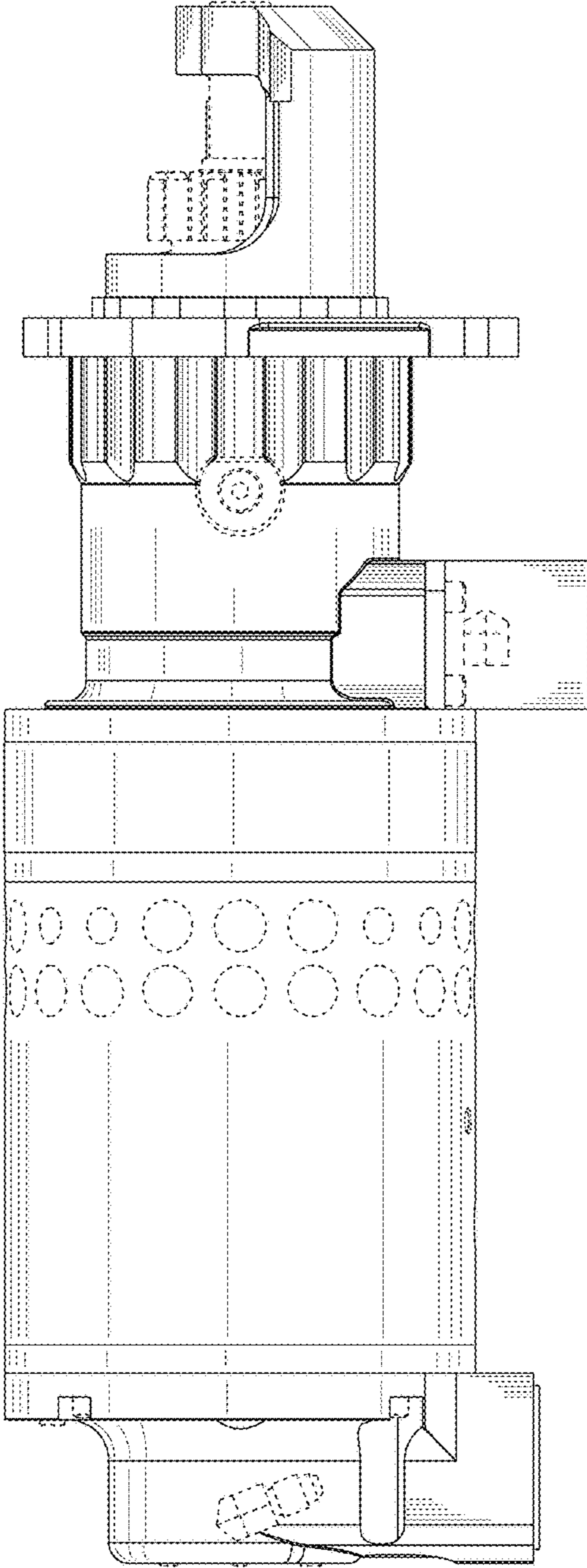


FIG. 4



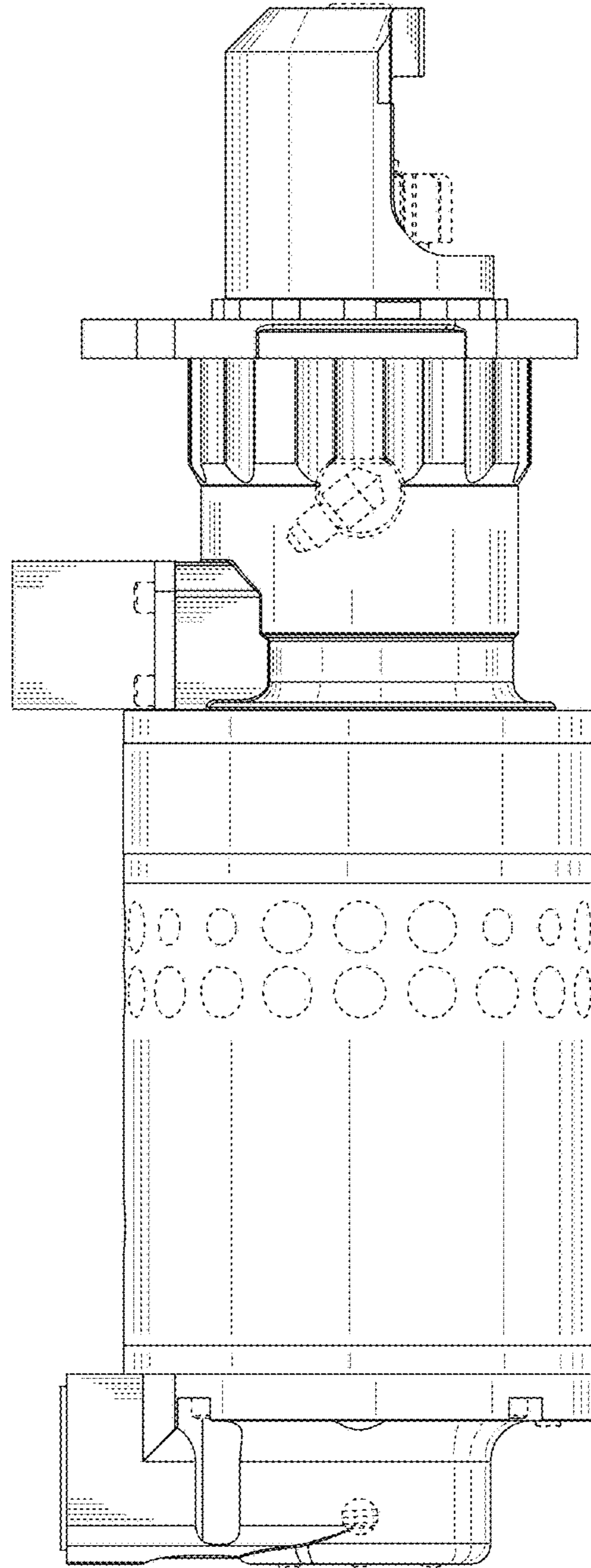


FIG. 5

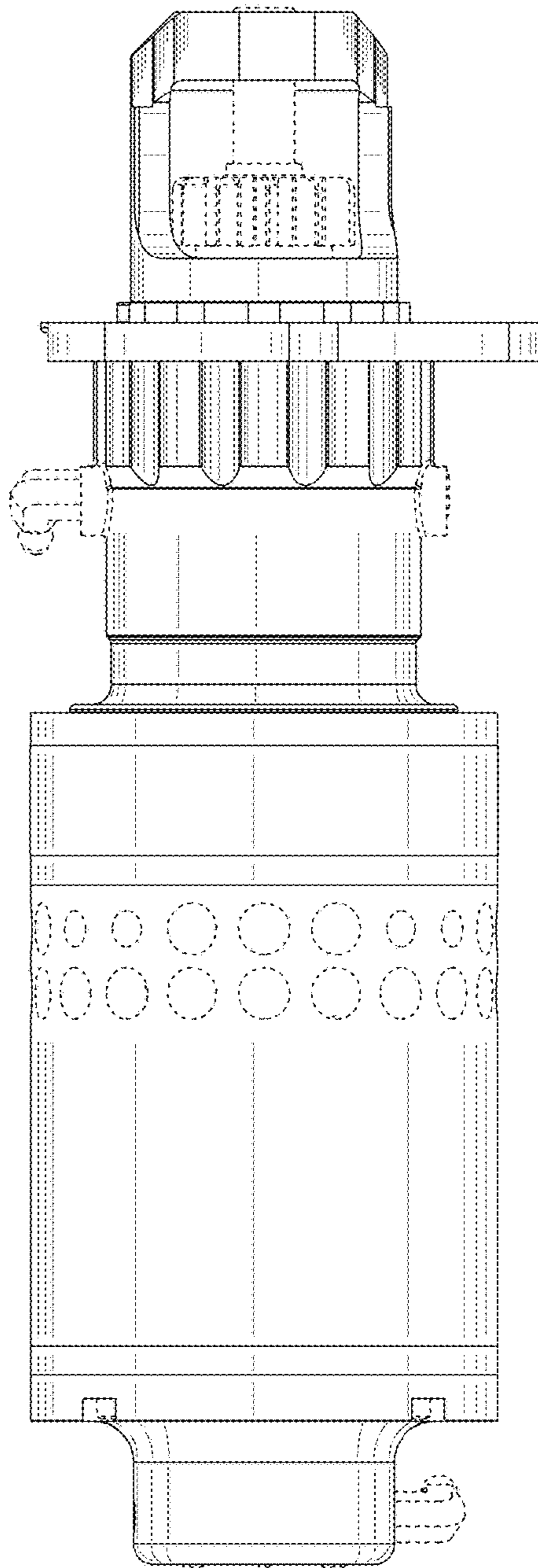


FIG. 6

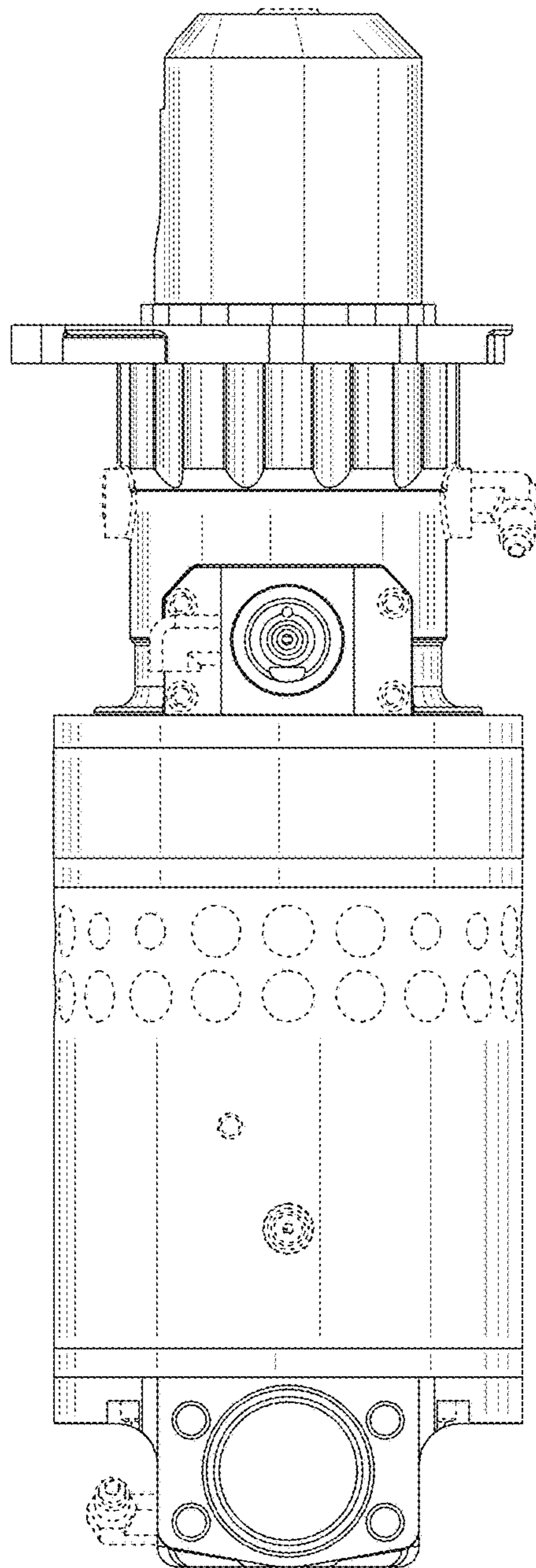


FIG. 7