



US00D851038S

(12) **United States Design Patent**
Peng et al.

(10) **Patent No.:** **US D851,038 S**
(45) **Date of Patent:** **** Jun. 11, 2019**

(54) **POWER ADAPTER**

(71) Applicant: **DELTA ELECTRONICS, INC.**,
Taoyuan (TW)

(72) Inventors: **Wan-Chen Peng**, Taoyuan (TW);
Ruei-Lin Hung, Taoyuan (TW);
Ching-Yu Cheng, Taoyuan (TW)

(73) Assignee: **DELTA ELECTRONICS, INC.**,
Taoyuan (TW)

(**) Term: **15 Years**

(21) Appl. No.: **29/544,611**

(22) Filed: **Nov. 4, 2015**

(30) **Foreign Application Priority Data**

Nov. 3, 2015 (EP) 002846568

(51) **LOC (11) Cl.** **13-02**

(52) **U.S. Cl.**
USPC **D13/110**

(58) **Field of Classification Search**
USPC 123/2, 3; 290/1 A, 1 B, 1 R; 310/89;
322/100; 361/730, 836; D13/101,
D13/107-108, 110-116, 118, 122, 184,
D13/199; D23/111, 351, 395
CPC ... F02B 63/04; H01R 31/065; H01R 2103/00;
H02K 35/02
See application file for complete search history.

(56) **References Cited**

U.S. PATENT DOCUMENTS

D492,250 S * 6/2004 Alviar D13/110
D572,712 S * 7/2008 Ledbetter D13/110
D593,505 S * 6/2009 Fimbres D13/156
D602,430 S * 10/2009 Green D13/110
D627,729 S * 11/2010 Smith D13/108
D642,524 S * 8/2011 Fitch D13/110

D658,580 S * 5/2012 Gebski D13/108
D661,651 S * 6/2012 Smith D13/138.1
D664,093 S * 7/2012 Andre D13/138.1
8,226,424 B1 * 7/2012 Wang H01R 13/2421
439/172
D682,211 S * 5/2013 Nelson D13/137.2
D702,631 S * 4/2014 Esses D13/108
D716,729 S * 11/2014 Kelly D13/110
D729,160 S * 5/2015 Levy D13/110

(Continued)

Primary Examiner — Derrick E Holland

Assistant Examiner — Jennifer O King

(74) *Attorney, Agent, or Firm* — Kirton McConkie; Evan R. Witt

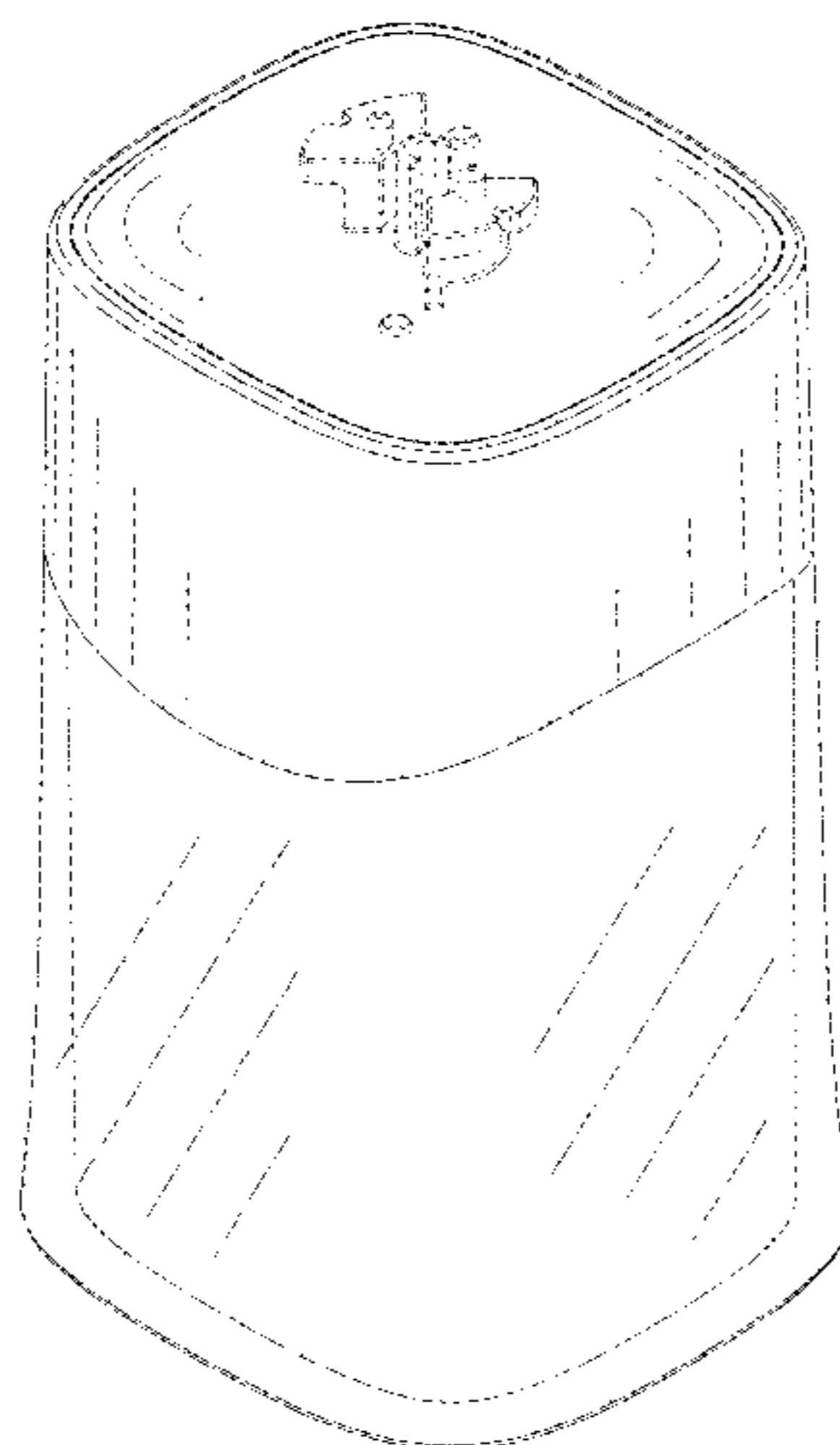
(57) **CLAIM**

The ornamental design for a power adapter, as shown and described.

DESCRIPTION

FIG. 1 is a perspective view of a power adapter showing our new design;
FIG. 2 is a front elevation view thereof;
FIG. 3 is a rear elevation view thereof;
FIG. 4 is a left side elevation view thereof;
FIG. 5 is a right side elevation view thereof;
FIG. 6 is a top plan view thereof;
FIG. 7 is a bottom plan view thereof;
FIG. 8 is a perspective view thereof, shown in use;
FIG. 9 is another perspective view thereof, shown in use;
and,
FIG. 10 is another perspective view thereof, shown in use.
The broken lines shown in FIGS. 1-7 represent portions of the power adapter that form no part of the claimed design. The broken lines shown in FIGS. 8, 9, and 10 represent detachable plugs combined with the power adapter during use and form no part of the claimed design.
The oblique shade lines in the figures show transparency, not surface ornamentation.

1 Claim, 8 Drawing Sheets



(56)

References Cited

U.S. PATENT DOCUMENTS

D731,969 S	*	6/2015	Ackloo	D13/110
D788,709 S	*	6/2017	Yeo	D13/137.2
D790,464 S	*	6/2017	He	D13/110
D798,806 S	*	10/2017	Soriano	D13/108

* cited by examiner

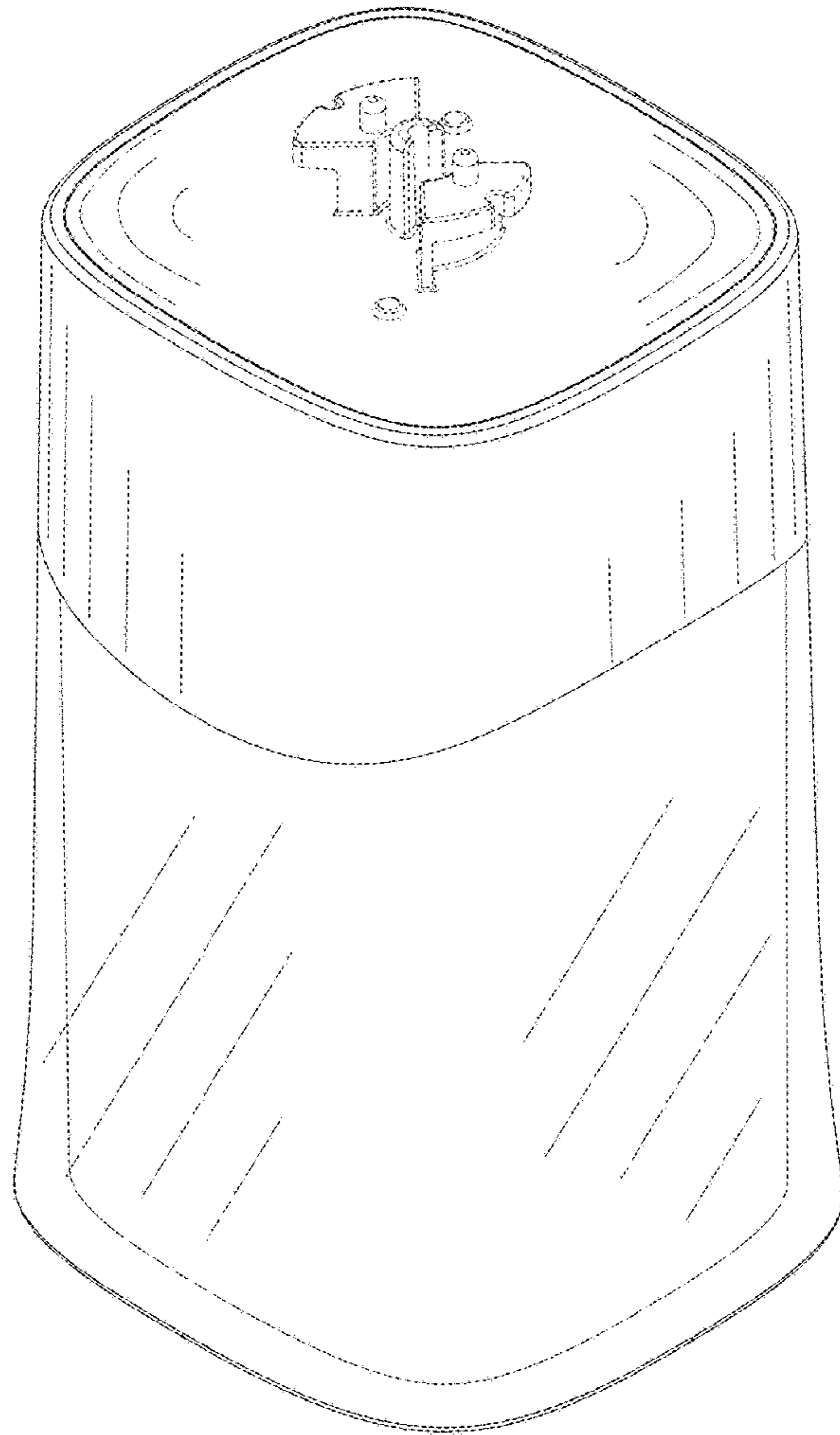


FIG. 1

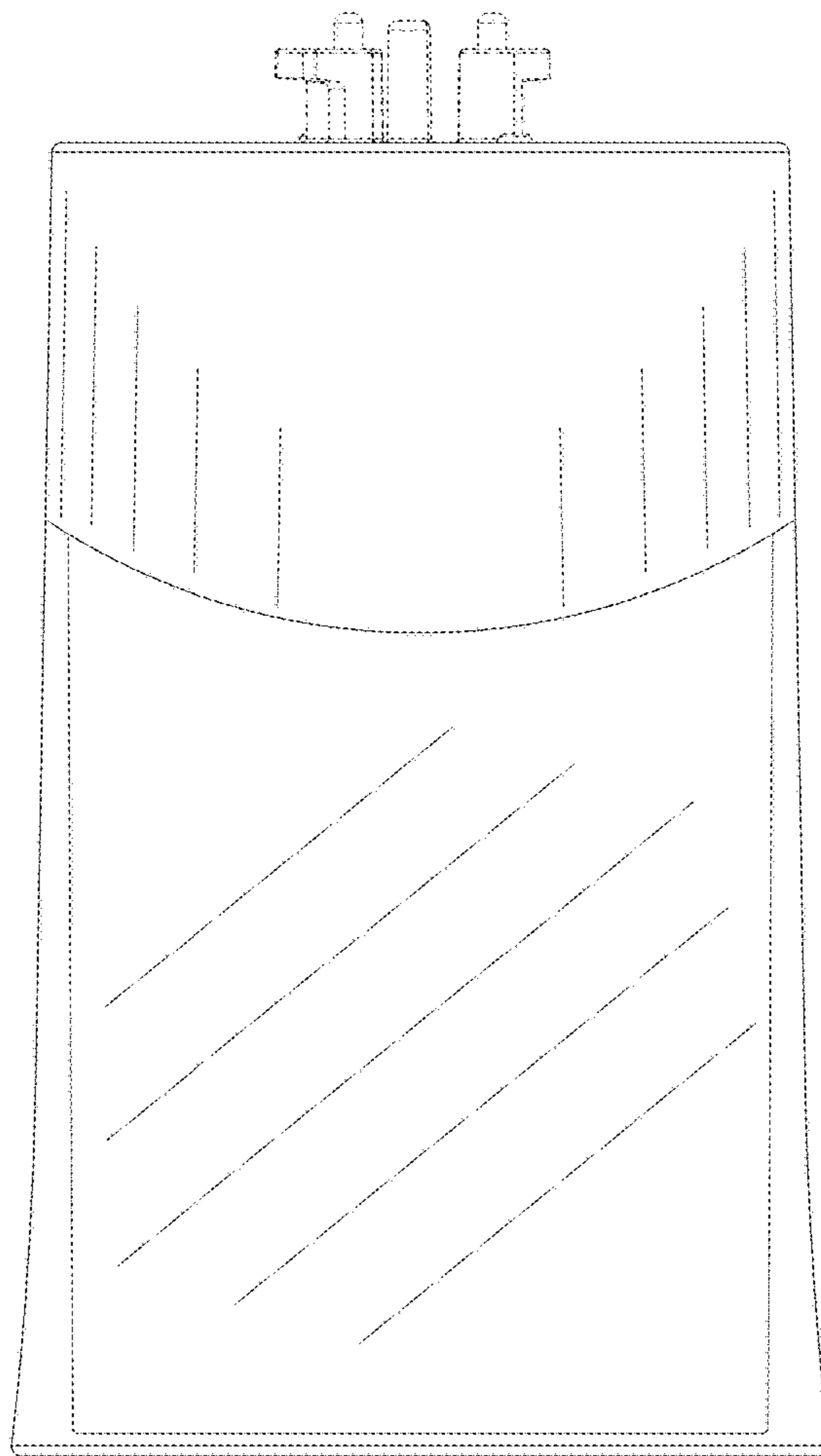


FIG. 2

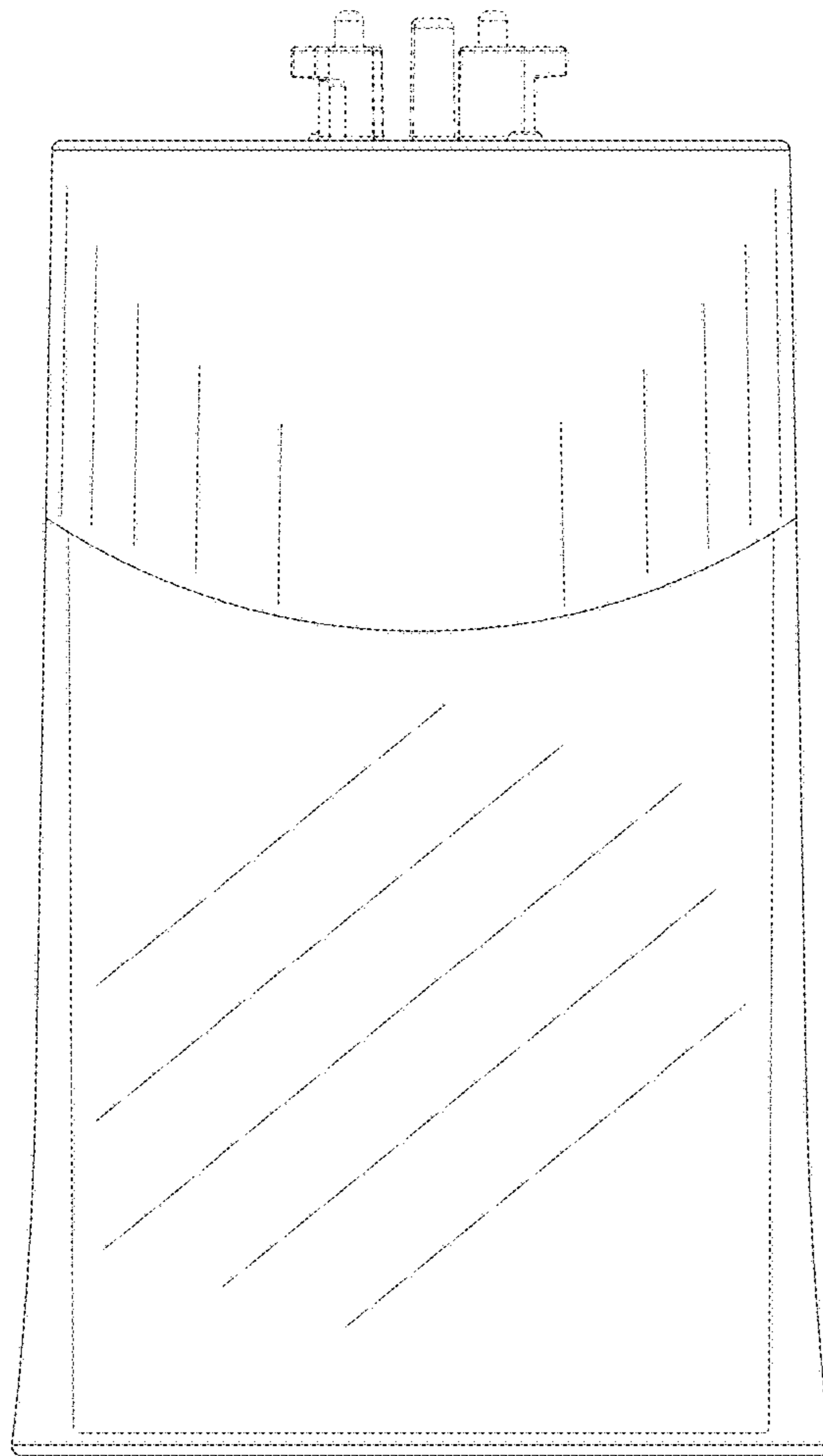


FIG. 3

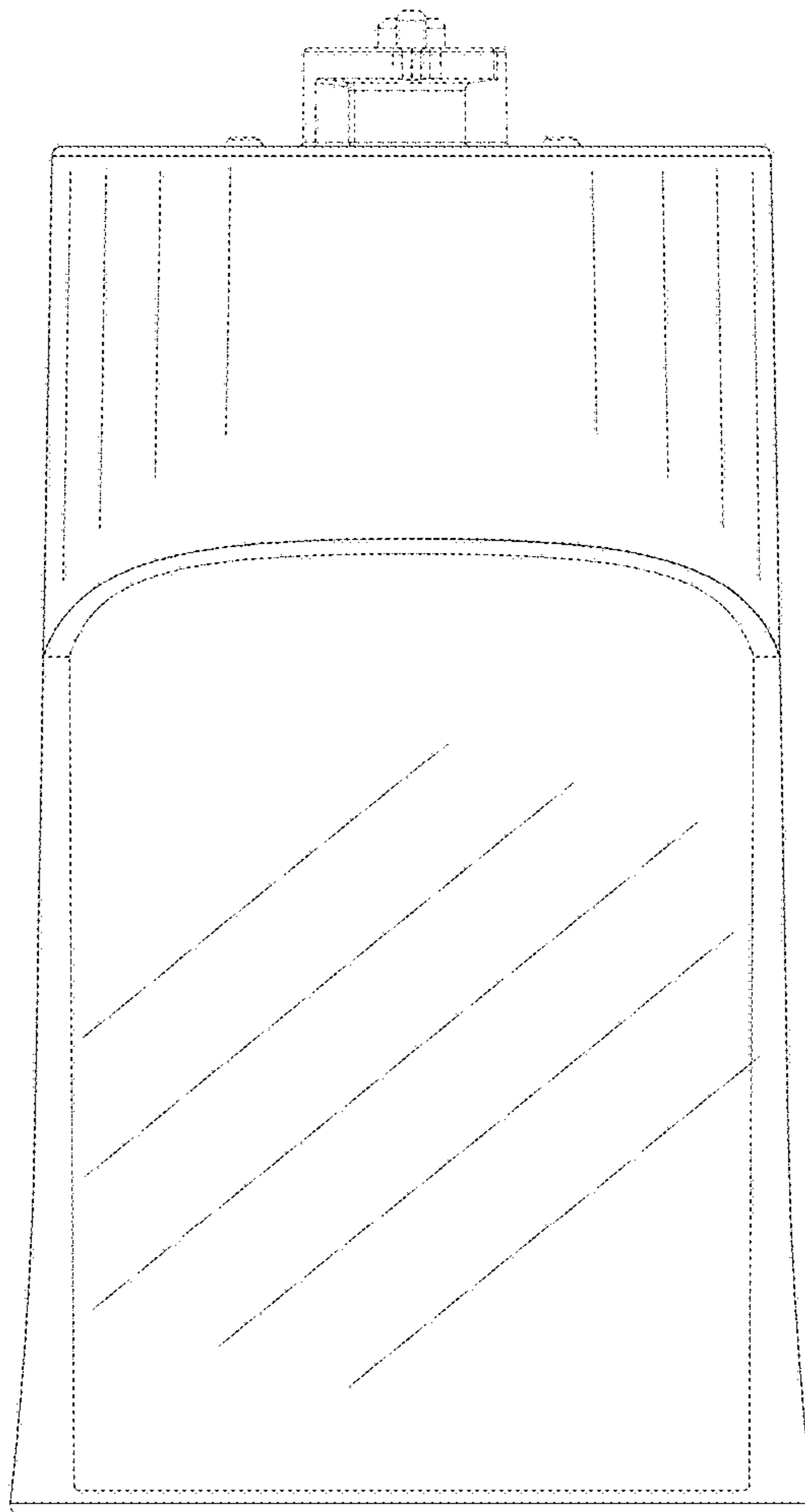


FIG. 4

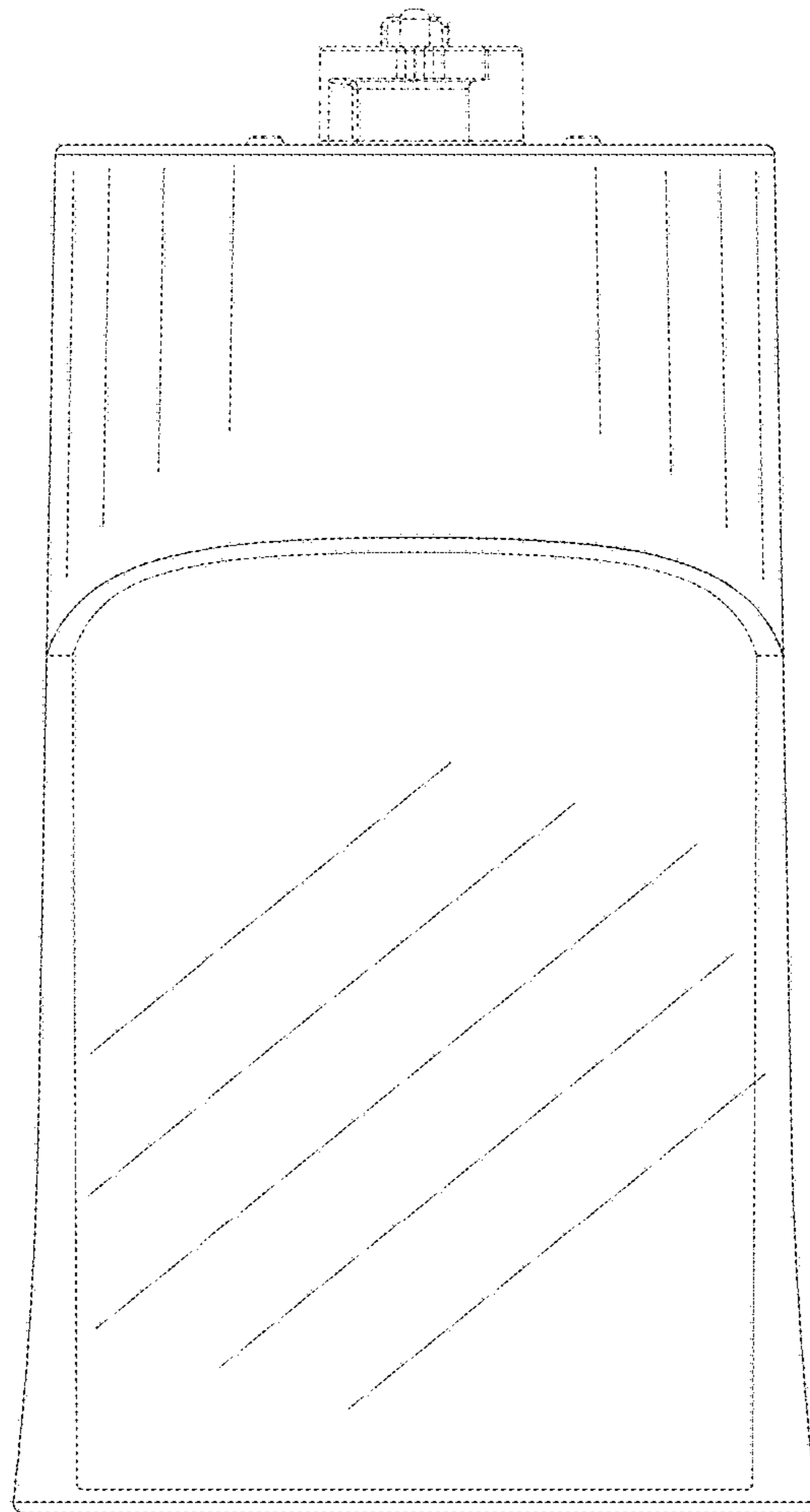


FIG. 5

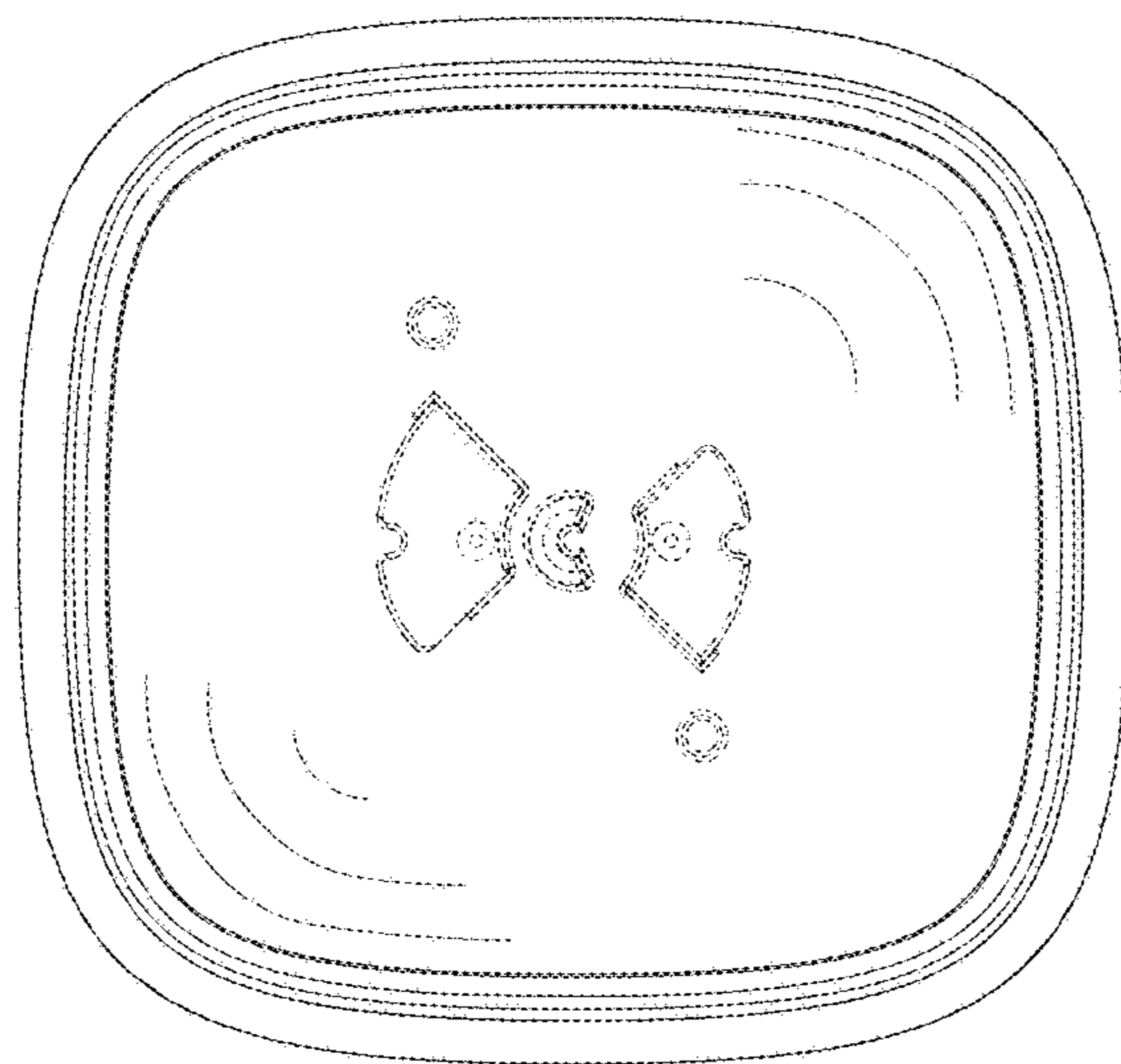


FIG. 6

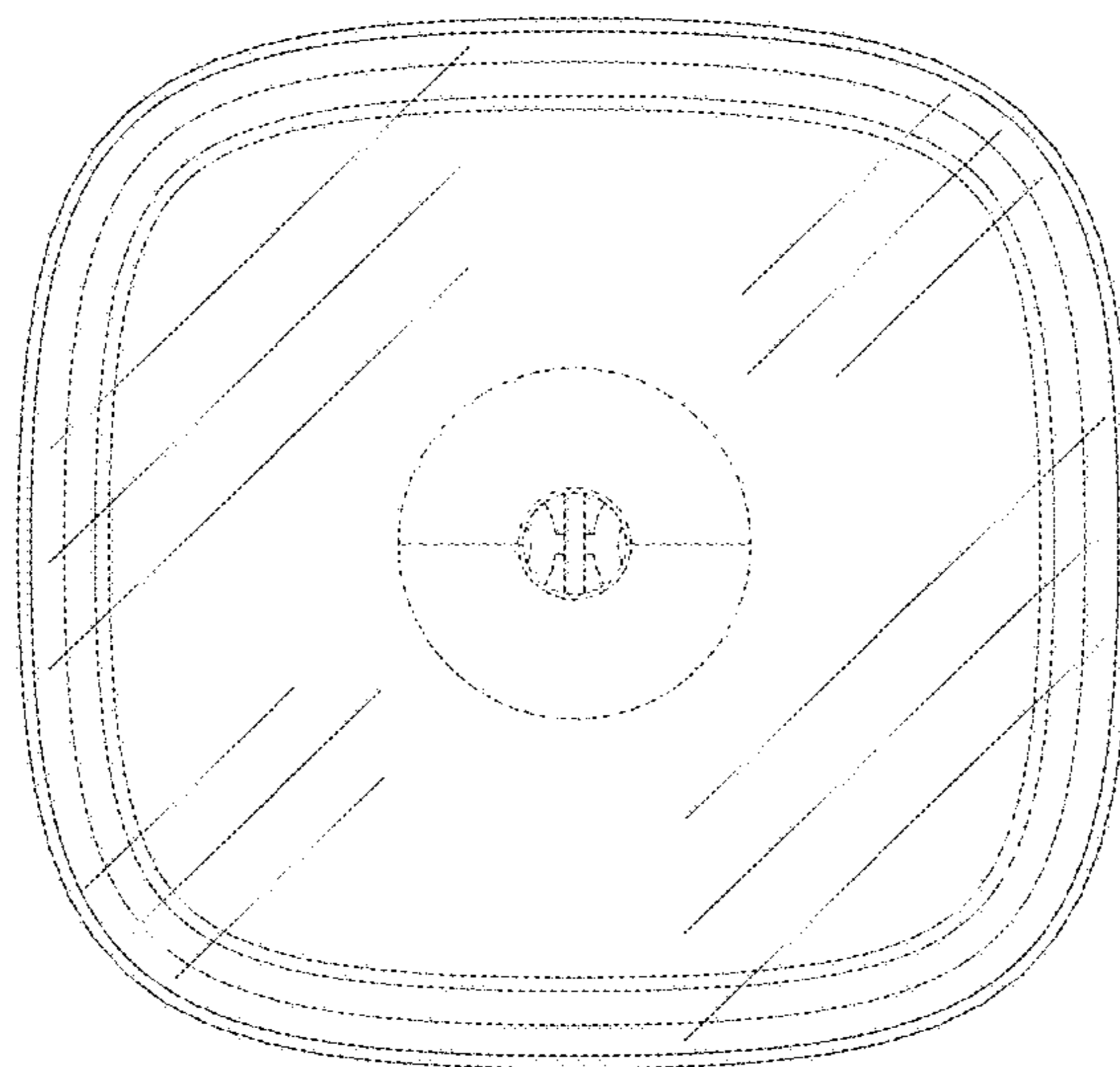


FIG. 7

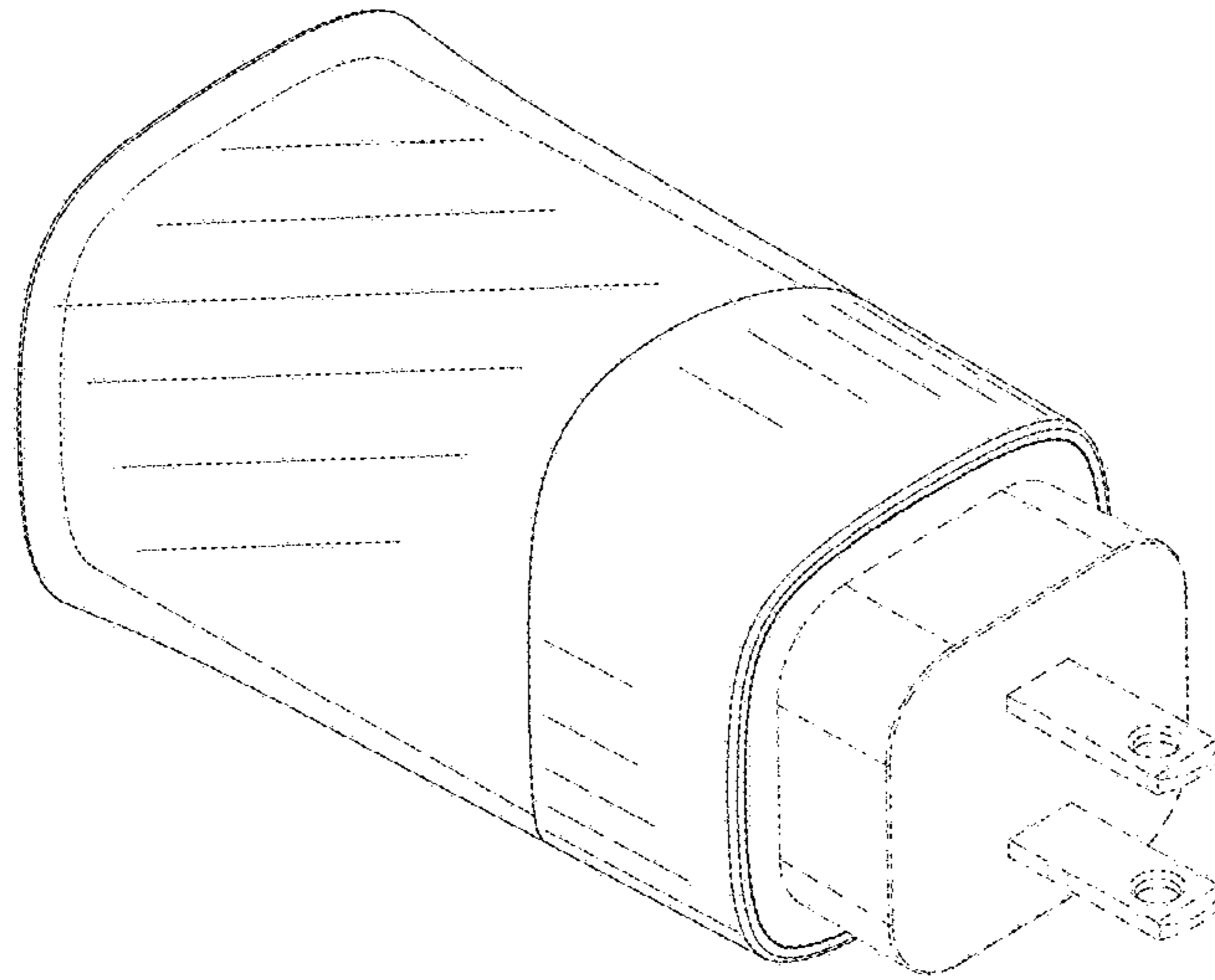


FIG. 8

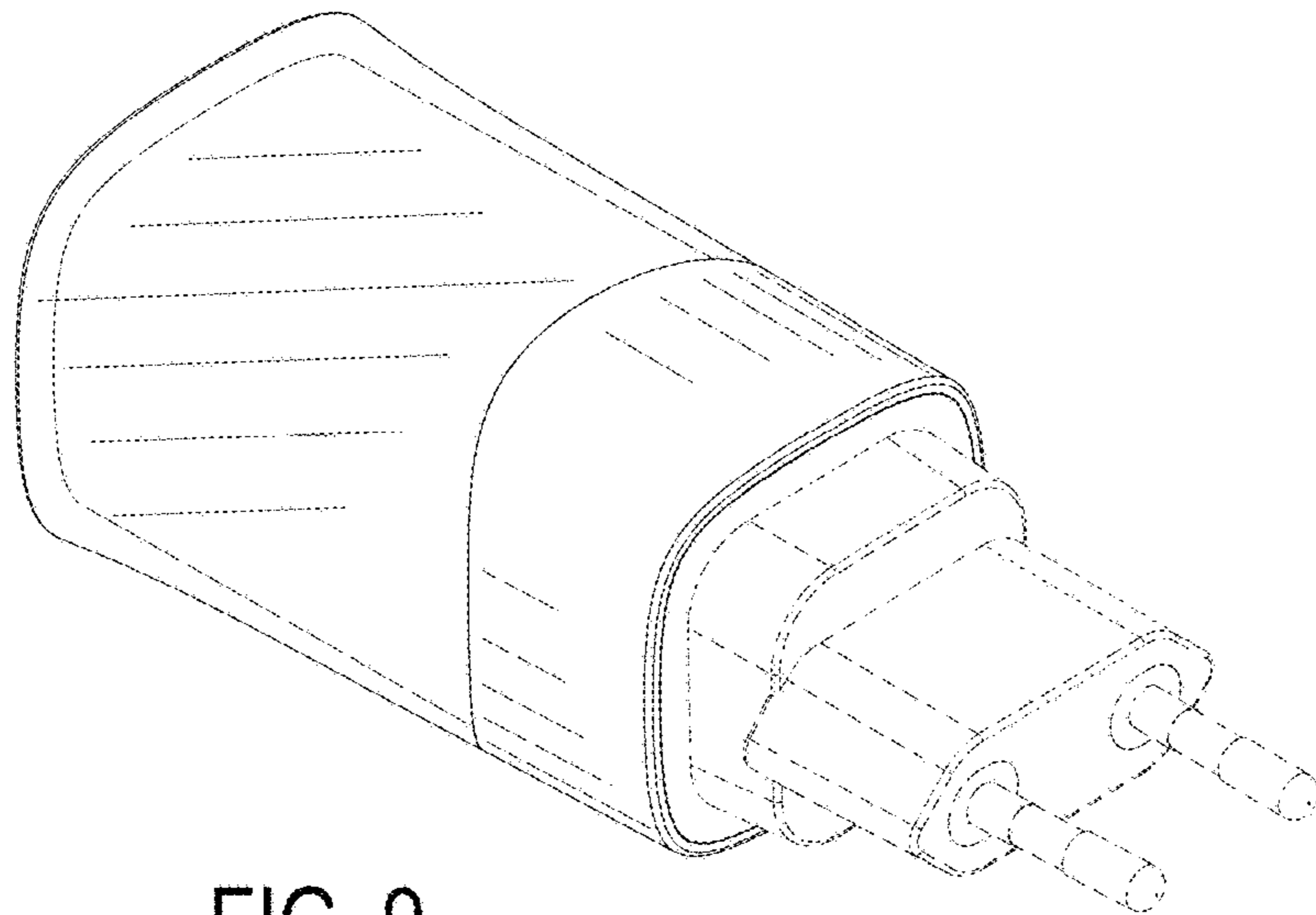


FIG. 9

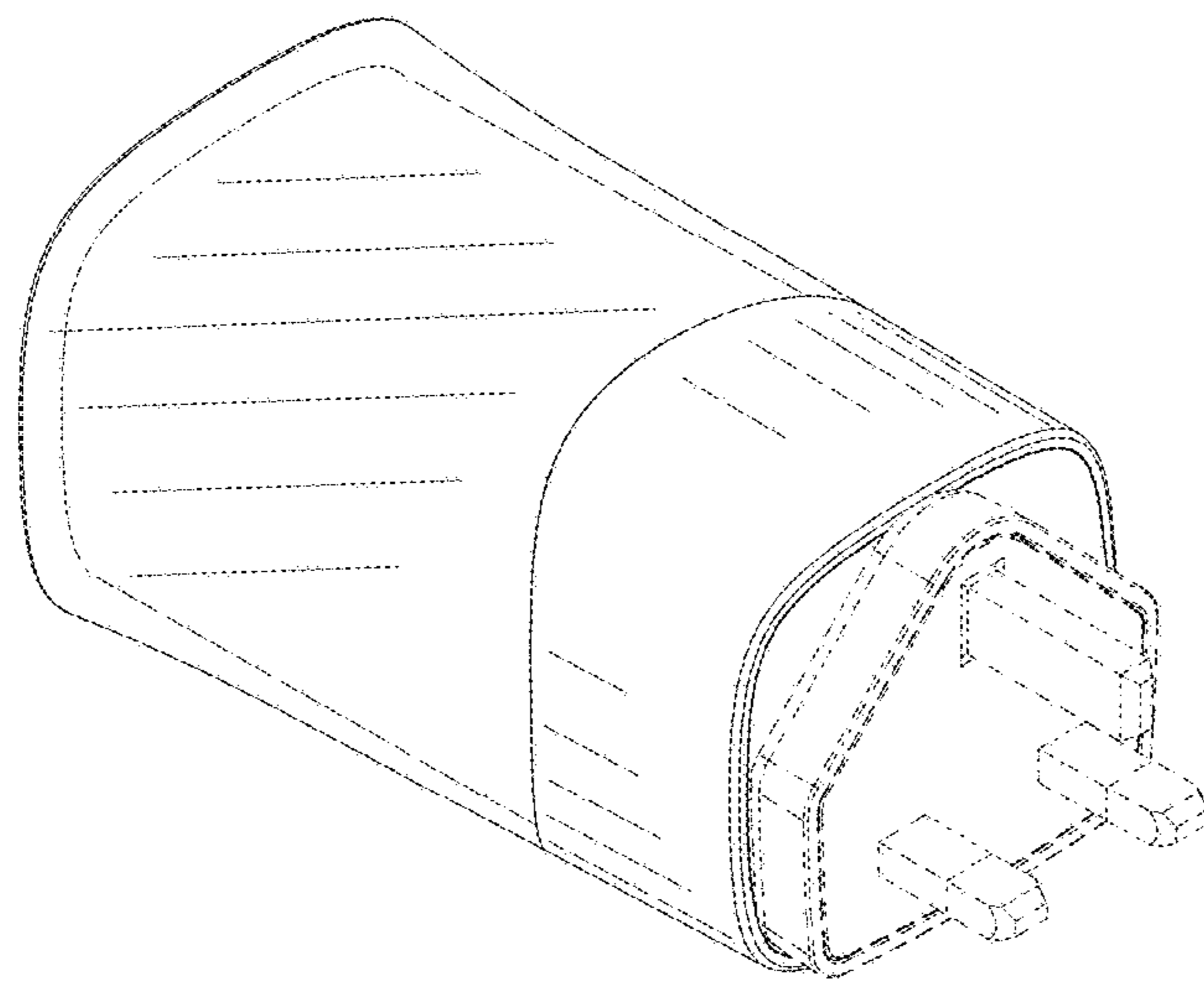


FIG. 10