



US00D851036S

(12) **United States Design Patent**
Saangloef et al.

(10) **Patent No.:** **US D851,036 S**

(45) **Date of Patent:** **** Jun. 11, 2019**

(54) **CHARGING DOCK**

(71) Applicant: **Belkin International, Inc.**, Playa Vista, CA (US)

(72) Inventors: **Paer Saangloef**, Mar Vista, CA (US);
Oliver Seil, Los Angeles, CA (US)

(73) Assignee: **BELKIN INTERNATIONAL, INC.**,
Playa Vista, CA (US)

(**) Term: **15 Years**

(21) Appl. No.: **29/632,242**

(22) Filed: **Jan. 5, 2018**

(51) **LOC (11) Cl.** **13-02**

(52) **U.S. Cl.**
USPC **D13/108**

(58) **Field of Classification Search**
USPC D13/107-110, 118-119, 184, 199;
D14/251, 253, 432, 434
CPC Y02E 60/12; Y02T 90/14; Y02T 90/122;
Y02T 90/128; Y02T 90/163; H02J 7/025;
H02J 7/0042; H02J 7/0044; H02J 7/0045;
H02J 7/0003; H01F 38/14; H01R
13/6675; H01M 2/1022; H01M 2/1055;
H01M 10/44; H01M 10/46; H01M
10/425; B60L 11/182

See application file for complete search history.

(56) **References Cited**

U.S. PATENT DOCUMENTS

D433,994 S	*	11/2000	Jobs	D13/110
D609,636 S	*	2/2010	Jensen	D13/108
D694,182 S	*	11/2013	Lee	D13/108
D696,190 S	*	12/2013	Brandtman	D13/108
D697,027 S	*	1/2014	Ho	D13/108
D706,212 S	*	6/2014	Zwierstra	D13/107
D720,289 S	*	12/2014	Chiang	D13/108

D738,823 S	*	9/2015	Chen	D13/108
D749,504 S	*	2/2016	Jeong	D13/108
D774,455 S	*	12/2016	Kim	D13/108
D777,103 S	*	1/2017	Park	D13/108
D797,042 S	*	9/2017	Miller	D13/107
D797,667 S	*	9/2017	Park	D13/108
D797,668 S	*	9/2017	Park	D13/108
D824,851 S	*	8/2018	Antonetti	D13/108

OTHER PUBLICATIONS

PhysiciSteve, "Samsung Wireless Charger Stand," <https://www.thingiverse.com/thing:1444915>, published Mar. 26, 2016.

* cited by examiner

Primary Examiner — Rosemary K Tarcza

(74) *Attorney, Agent, or Firm* — Bryan Cave Leighton Paisner LLP

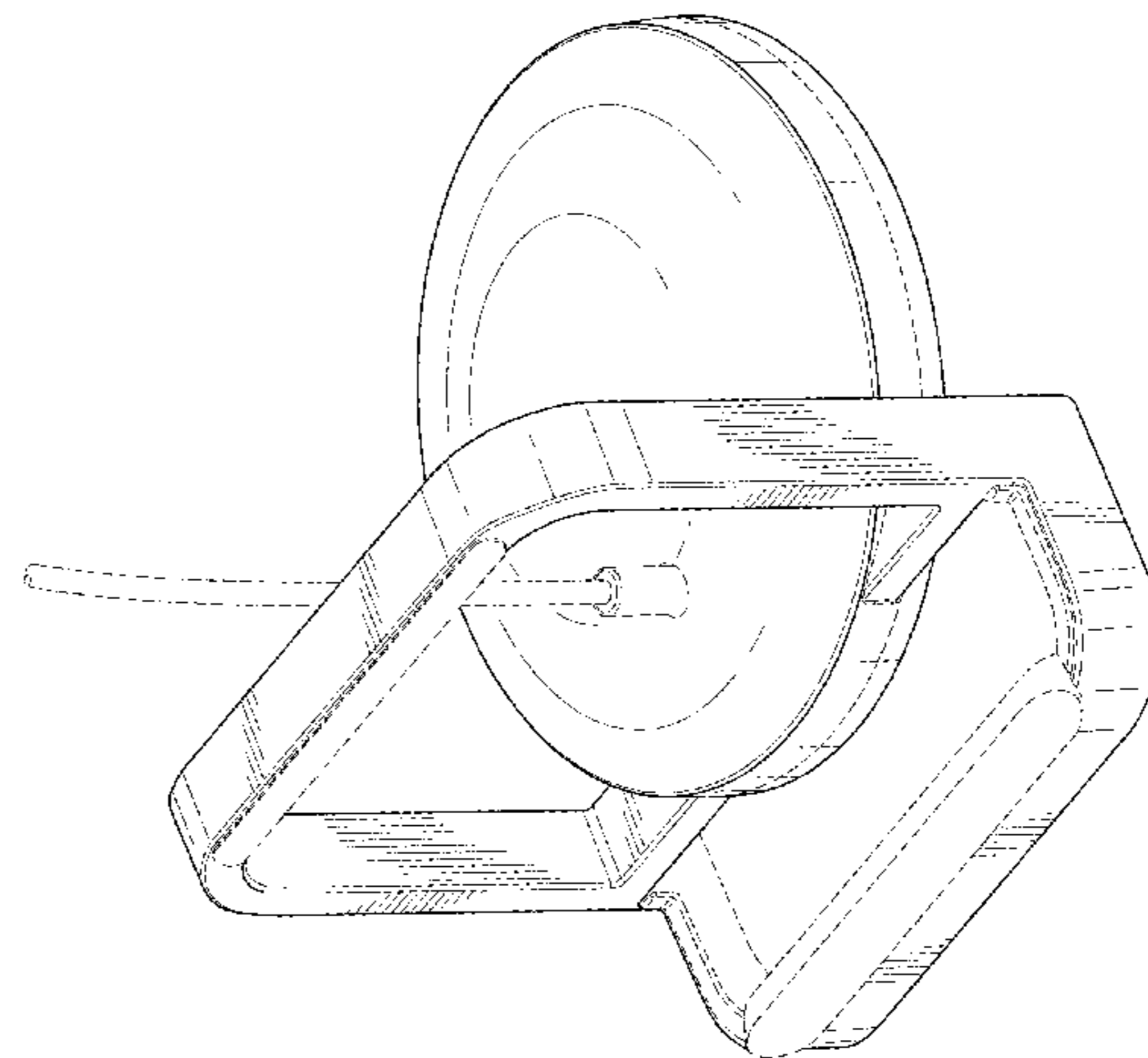
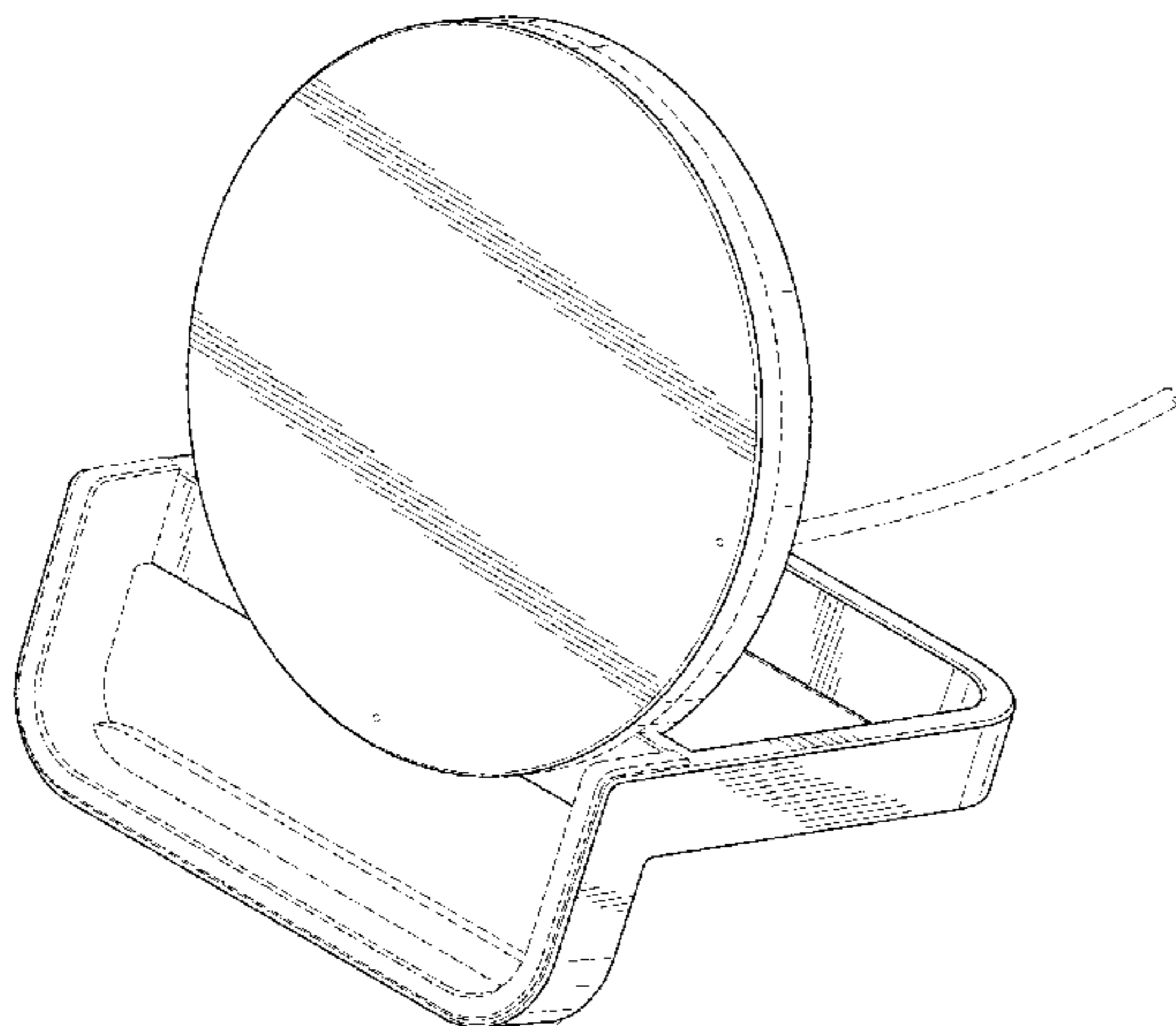
(57) **CLAIM**

The ornamental design for a charging dock, as shown and described.

DESCRIPTION

FIG. 1 is a front, top, right perspective view of the charging dock;
FIG. 2 is a rear, bottom, left perspective view of the charging dock;
FIG. 3 is a front elevational view of the charging dock;
FIG. 4 is a rear elevational view of the charging dock;
FIG. 5 is a top plan view of the charging dock;
FIG. 6 is a bottom plan view of the charging dock;
FIG. 7 is a right side elevational view of the charging dock;
and,
FIG. 8 is a left side elevational view of the charging dock.
The broken lines in the drawings are for the purpose of illustrating environmental structure and portions of the article which form no part of the claimed design.

1 Claim, 5 Drawing Sheets



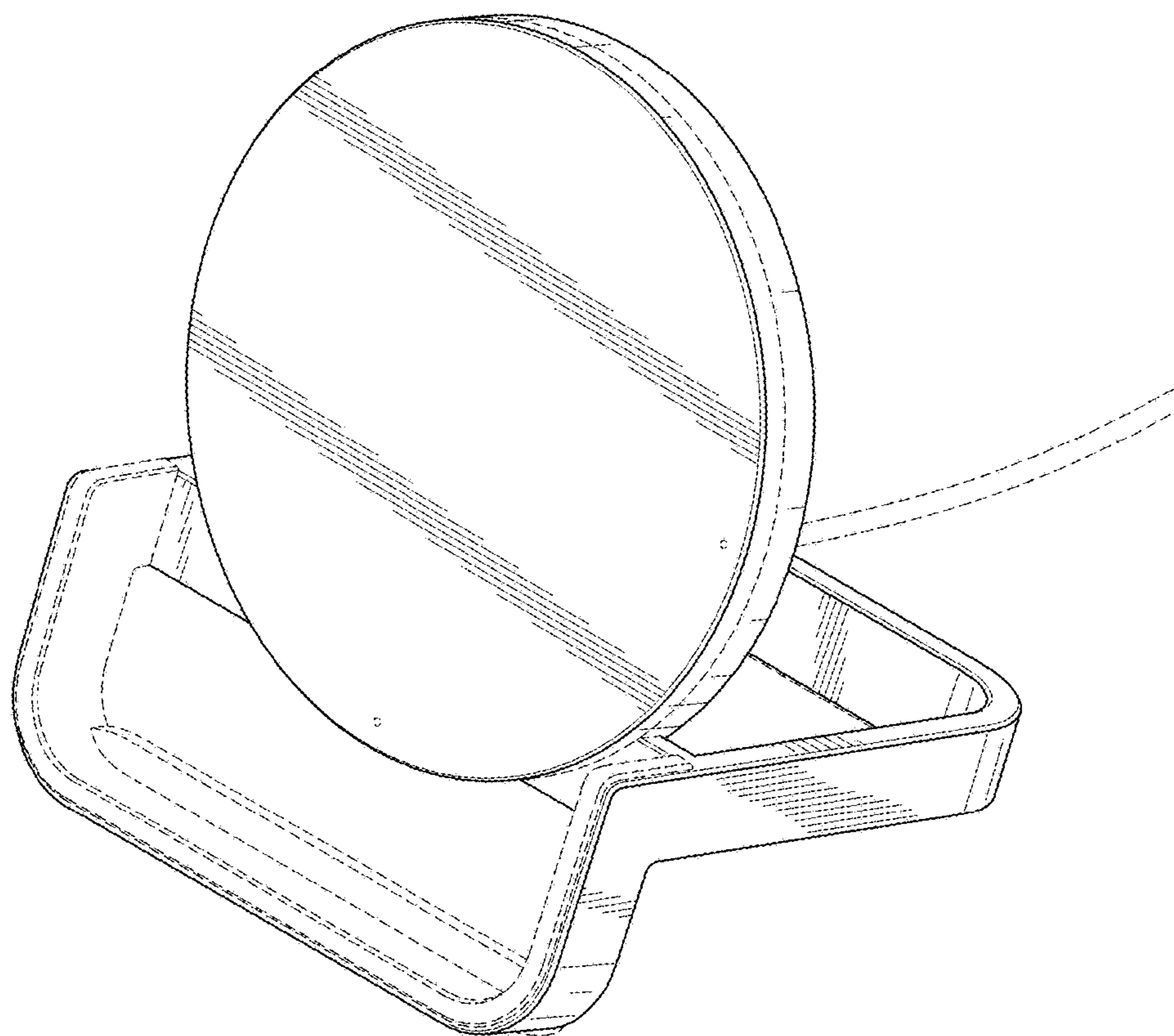


FIG. 1

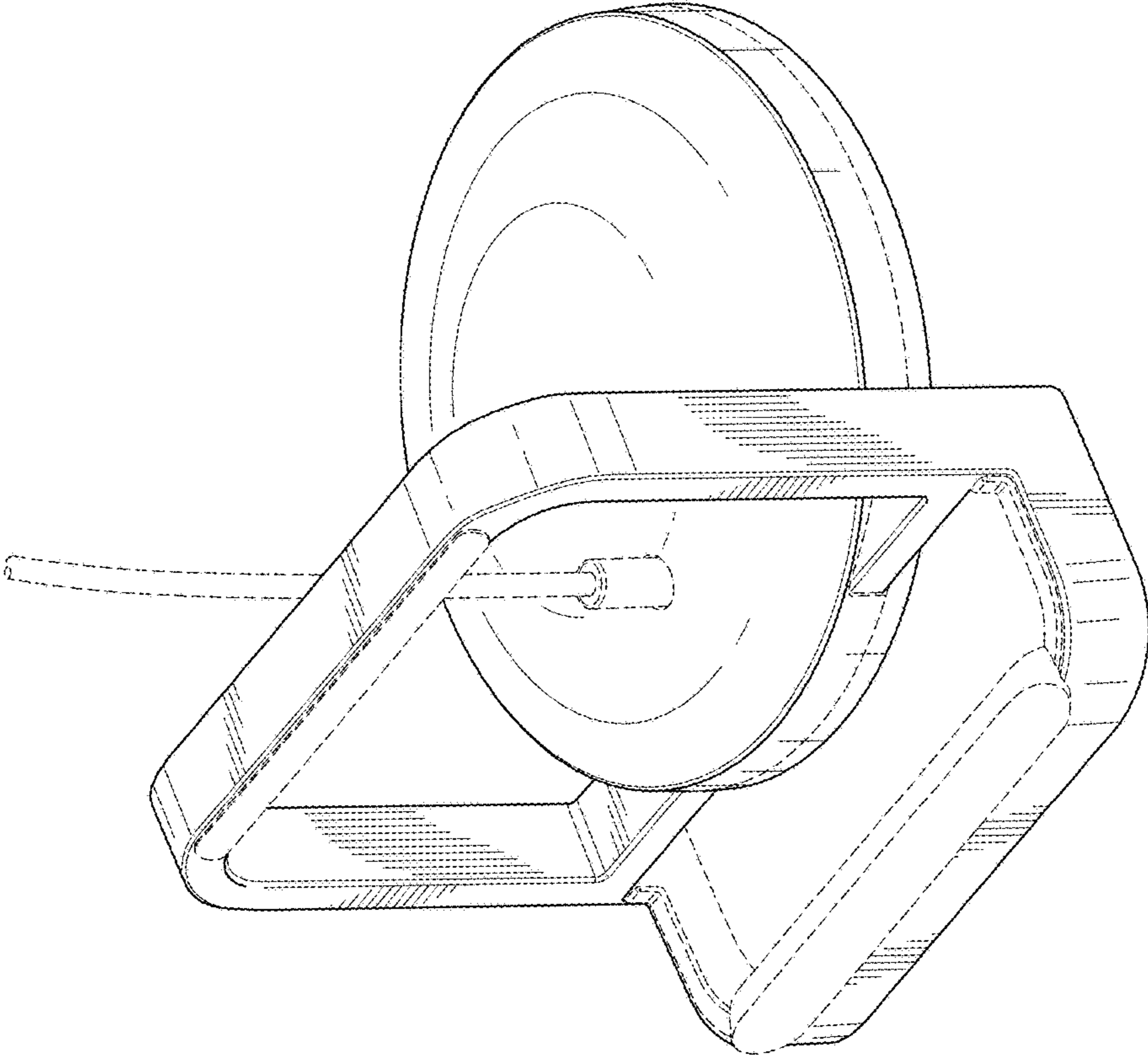


FIG. 2

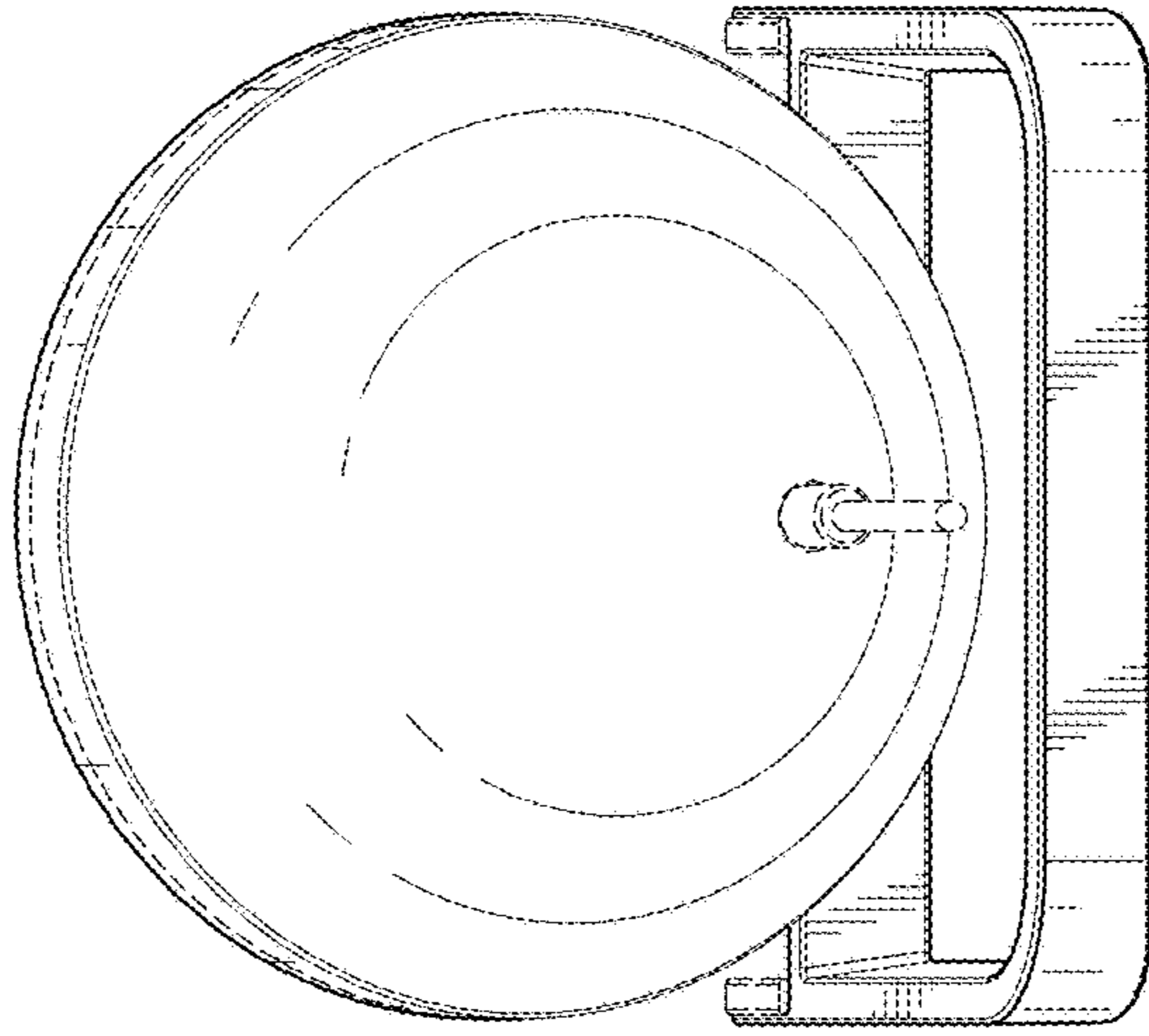


FIG. 4

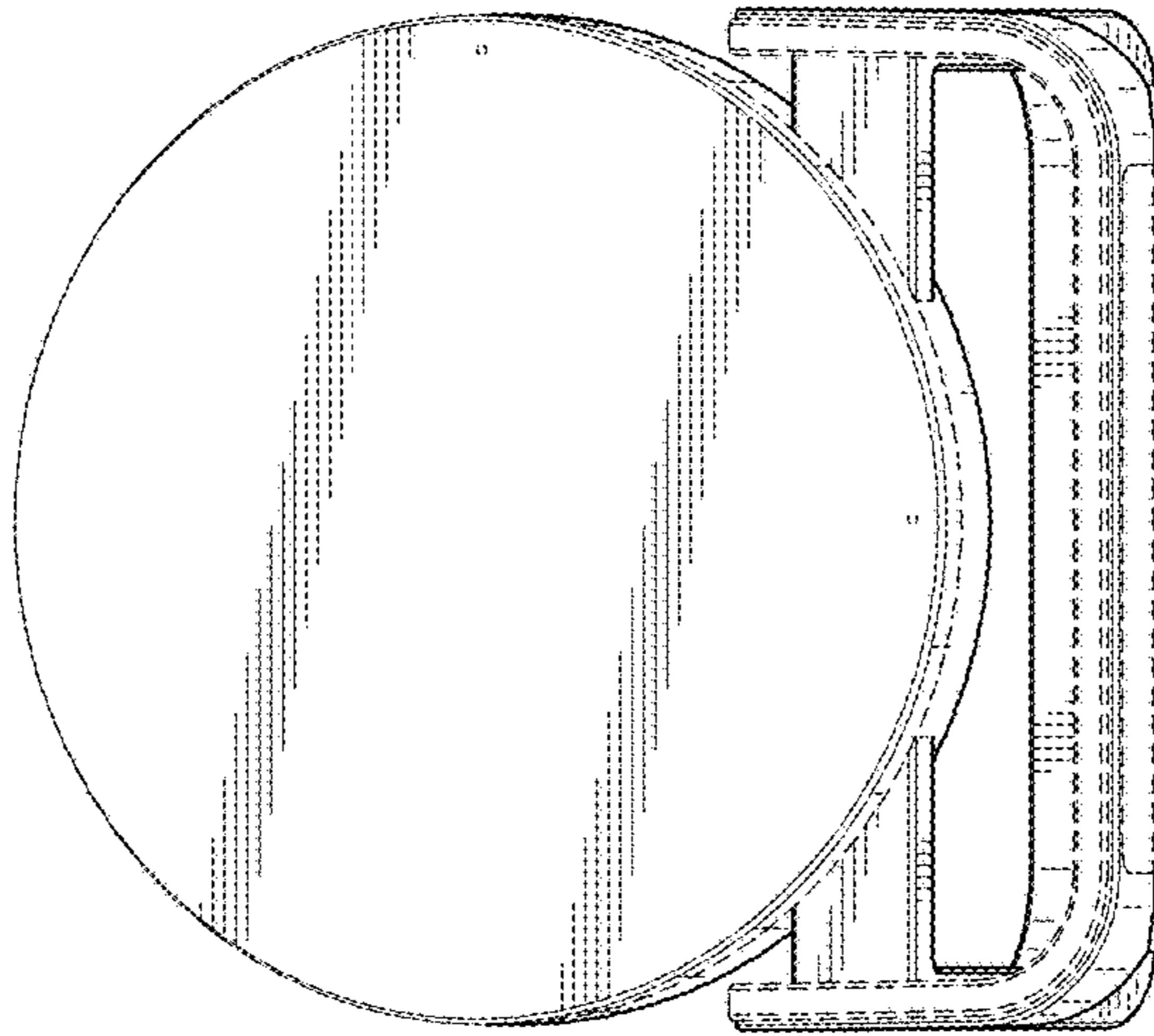


FIG. 3

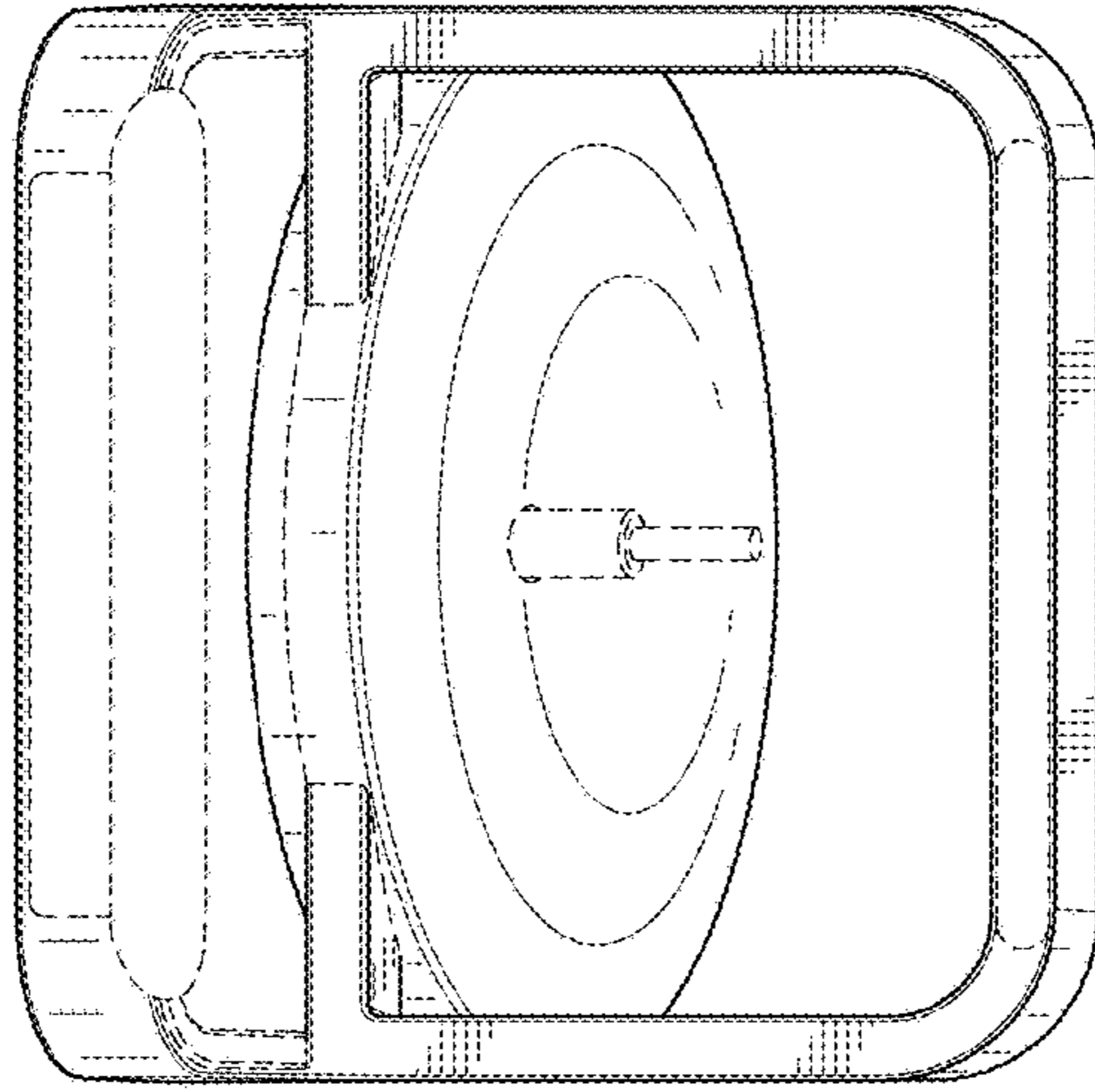


FIG. 5

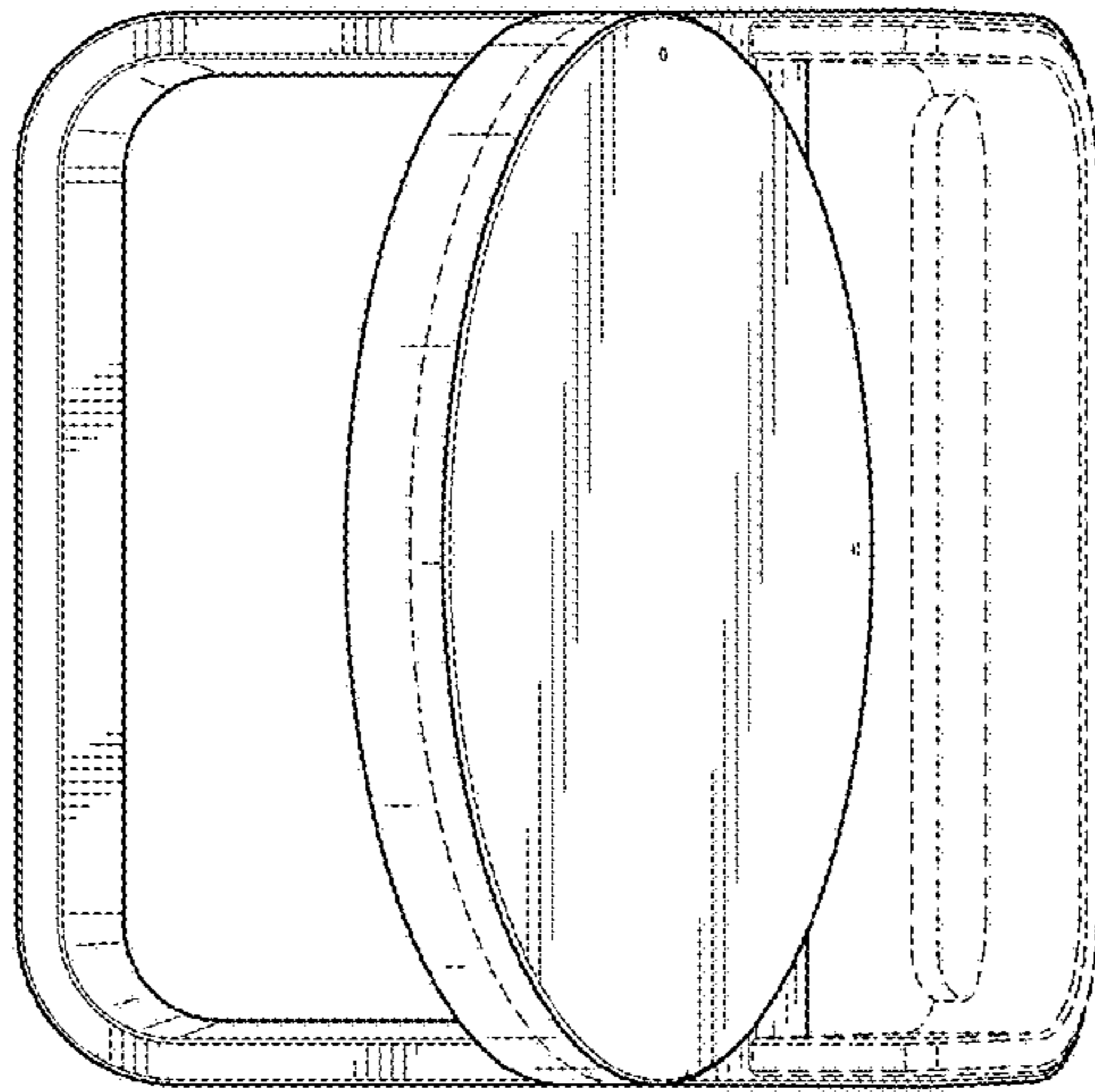


FIG. 6

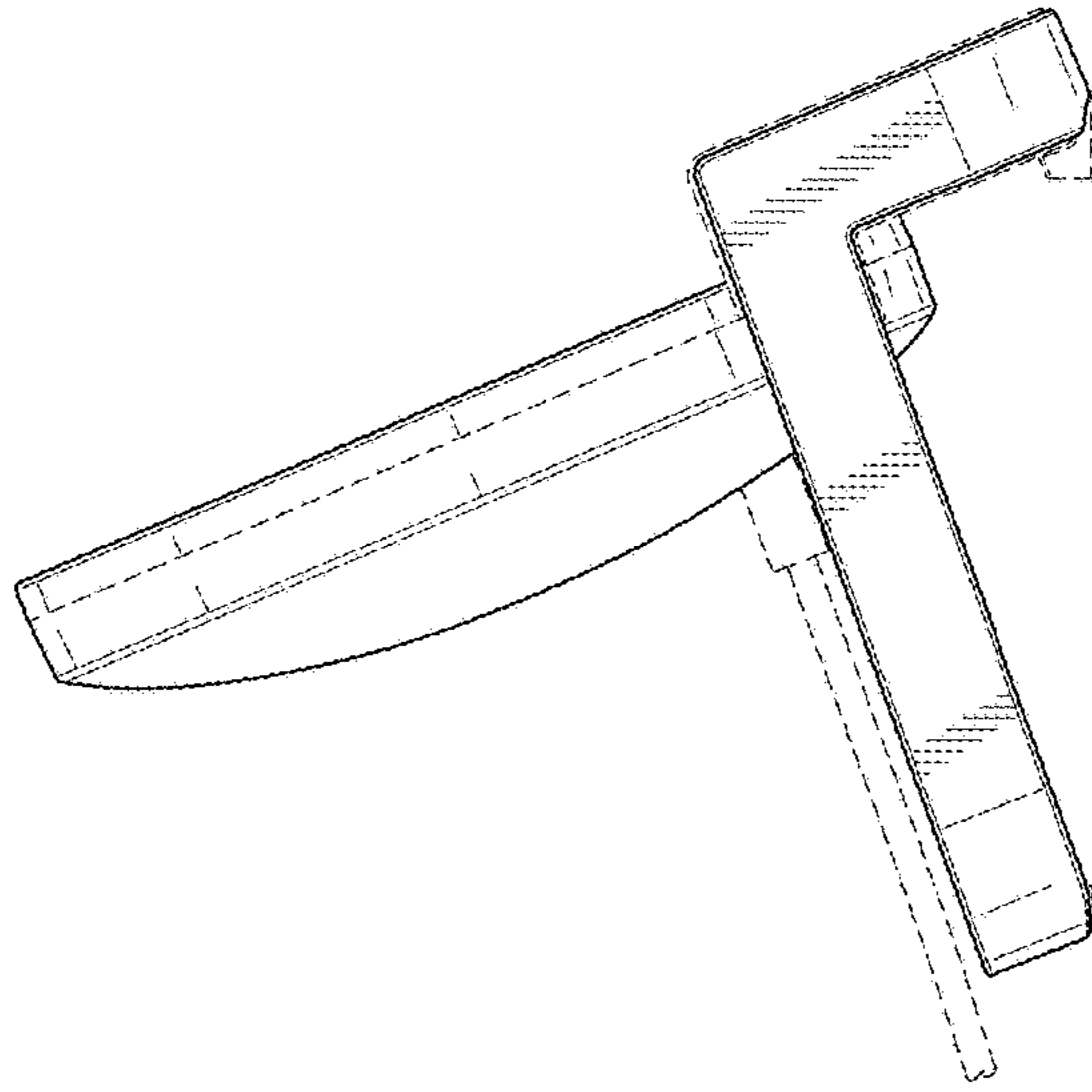


FIG. 8

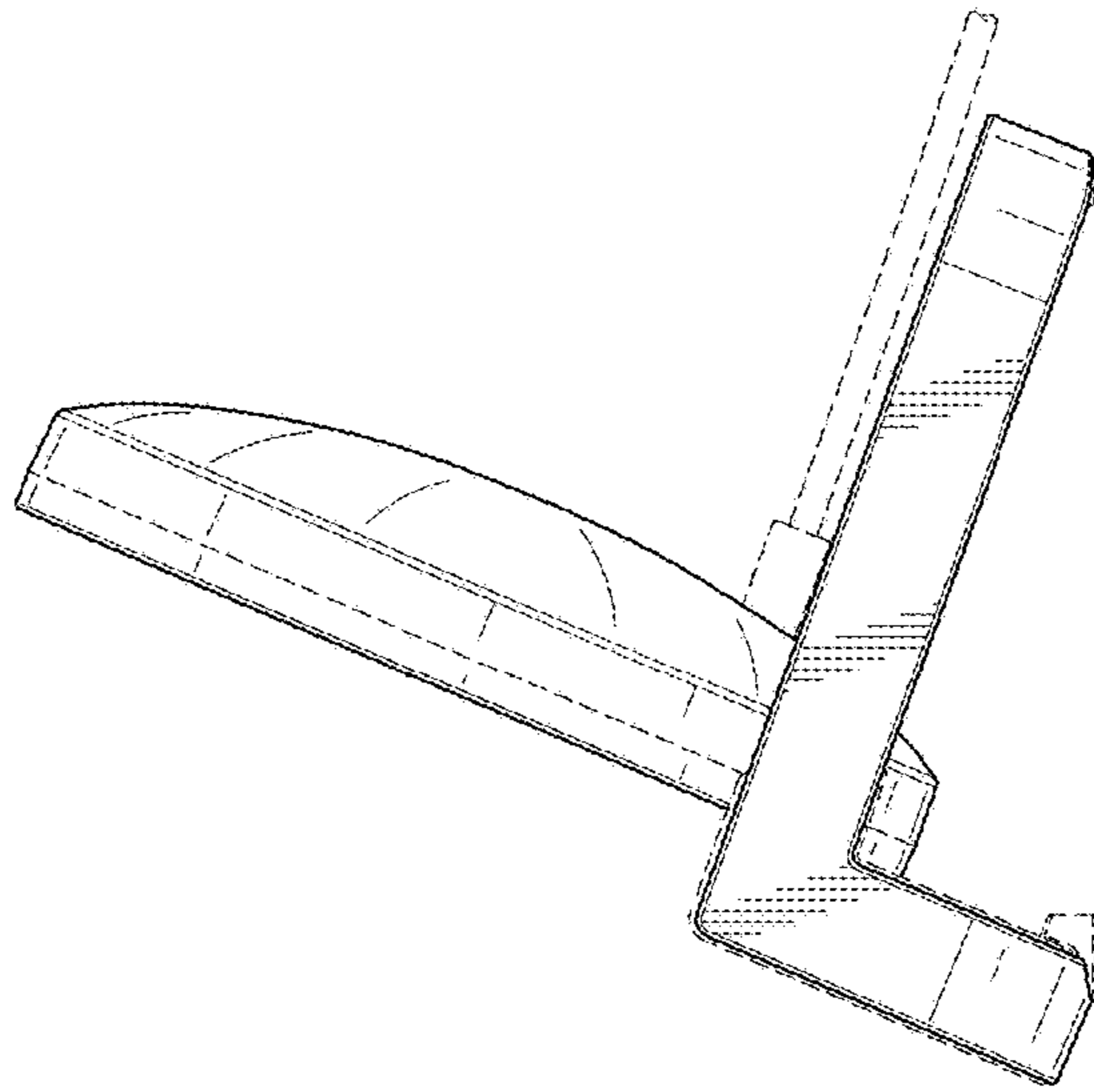


FIG. 7