



US00D851035S

(12) **United States Design Patent**
Hong

(10) **Patent No.:** **US D851,035 S**
(45) **Date of Patent:** **** Jun. 11, 2019**

(54) **BLUETOOTH HEADSET CHARGING BOX**

(71) Applicant: **Guangzhou U&I Technology Company Limited**, Guangzhou, Guangdong (CN)

(72) Inventor: **Jie Hong**, Guangdong (CN)

(73) Assignee: **Guangzhou U&I Technology Company Limited**, Guangzhou (CN)

(**) Term: **15 Years**

(21) Appl. No.: **29/628,997**

(22) Filed: **Dec. 10, 2017**

(51) **LOC (11) Cl.** **13-02**

(52) **U.S. Cl.**
USPC **D13/108; D28/82**

(58) **Field of Classification Search**
USPC D13/103, 107-108, 110; D3/218, 210; D14/356, 432; D28/73, 78, 82; D9/428, D9/549

CPC Y02E 60/12; Y02E 60/122; Y02E 60/124; Y02E 60/50; Y02E 60/10; H04R 1/10; H04R 1/28; Y02T 90/122; Y02T 90/128; Y02T 90/163; H02J 7/025; H02J 7/0042; H02J 7/0044; H02J 7/0045; H02J 7/0003; H01M 2/1022; H01M 2/1055; H01M 10/44; H01M 10/46; H01M 10/425; B60L 11/182

See application file for complete search history.

(56) **References Cited**

U.S. PATENT DOCUMENTS

D581,927 S * 12/2008 Sumii D14/356
D620,884 S * 8/2010 Lee D13/108
D640,546 S * 6/2011 Berggren D9/421

D642,333 S * 7/2011 Praster D28/82
D650,269 S * 12/2011 Berggren D9/423
D651,519 S * 1/2012 Gibson D9/428
D660,693 S * 5/2012 Berggren D9/421
D697,027 S * 1/2014 Ho D13/108
D757,014 S * 5/2016 Hahn D13/108
D774,455 S * 12/2016 Kim D13/108
D788,371 S * 5/2017 Lee D28/82
D800,060 S * 10/2017 Solland D13/108
D806,072 S * 12/2017 Gummalla D14/358
D807,867 S * 1/2018 Kato D14/240
D828,807 S * 9/2018 Yohai-Giochais D13/108
D832,208 S * 10/2018 Grois D13/108
D832,264 S * 10/2018 Kim D14/434
10,117,485 B2 * 11/2018 Solland B65H 75/4465
2013/0037545 A1 * 2/2013 Valley, III B65D 43/20 220/345.2

* cited by examiner

Primary Examiner — Jennifer Rivard
Assistant Examiner — Alison M Ofstun

(57) **CLAIM**

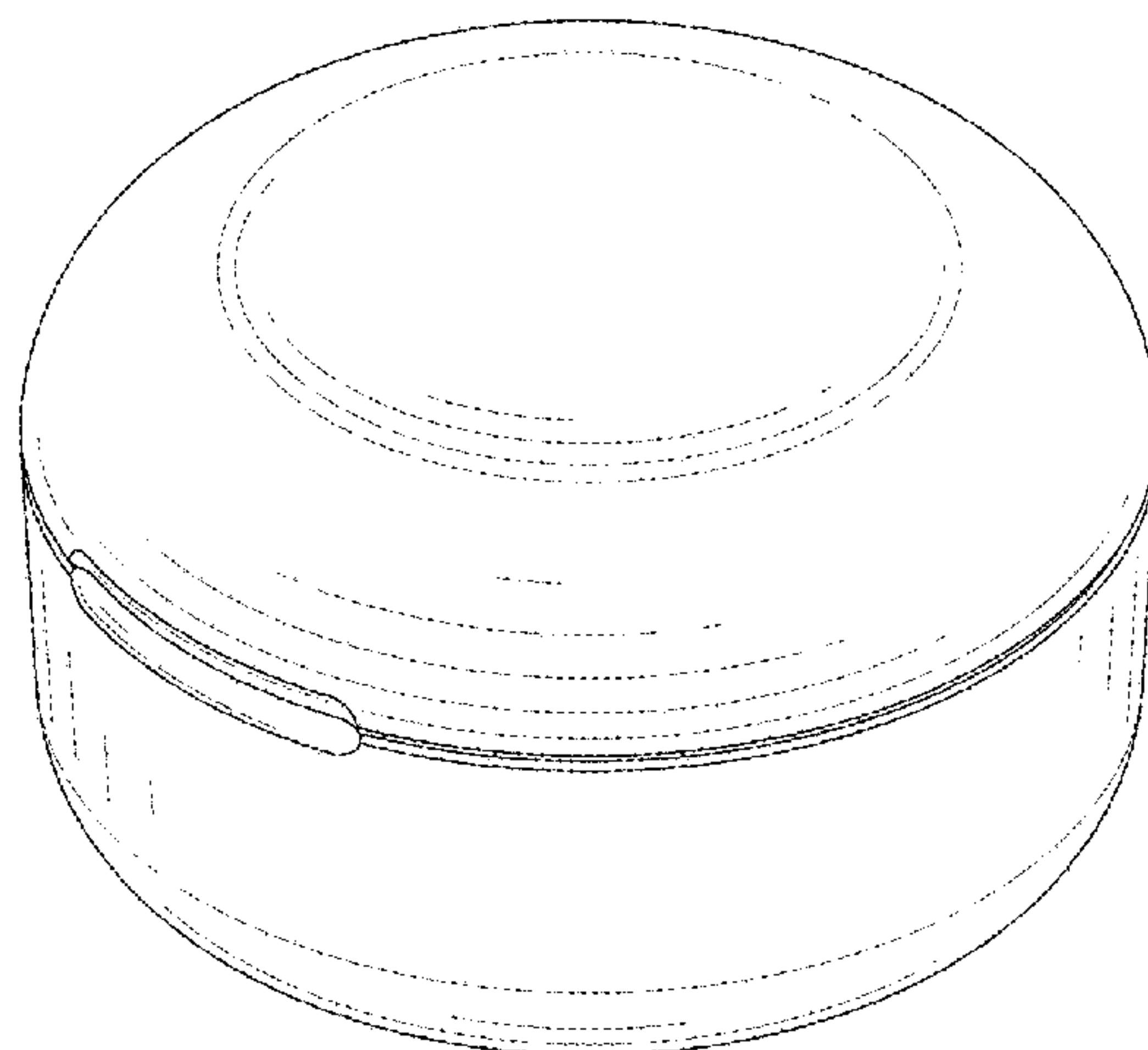
The ornamental design for a bluetooth headset charging box, as shown and described.

DESCRIPTION

FIG. 1 is a top perspective view of a bluetooth headset charging box showing my new design; FIG. 2 is a bottom perspective view thereof; FIG. 3 is a front elevational view thereof; FIG. 4 is a rear elevational view thereof; FIG. 5 is a left side view thereof; FIG. 6 is a right side view thereof; FIG. 7 is a top plan view thereof; and, FIG. 8 is a bottom plan view thereof.

The broken lines in the drawings illustrate portions of the bluetooth headset charging box which form no part of the claimed design.

1 Claim, 8 Drawing Sheets



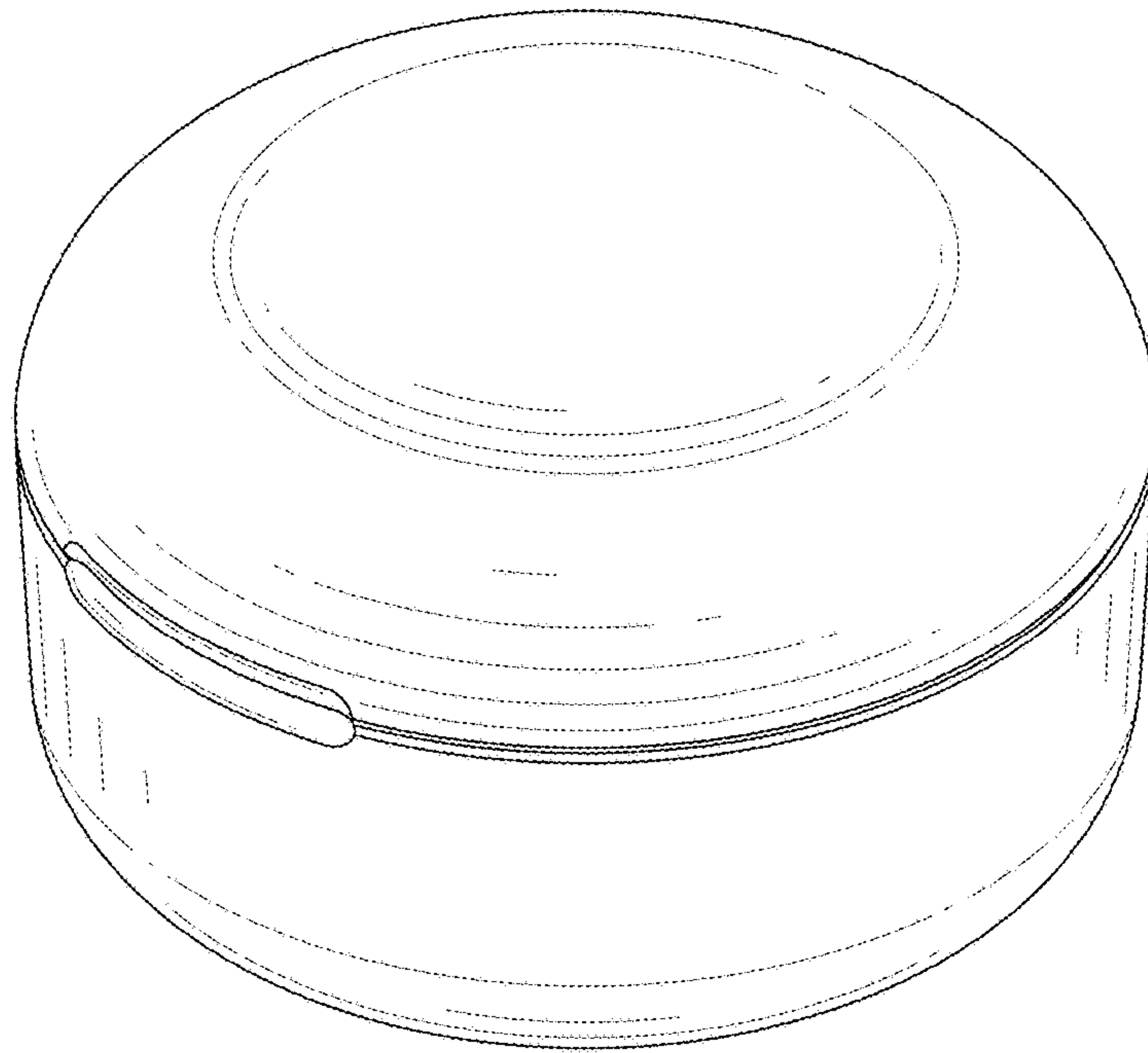


FIG. 1

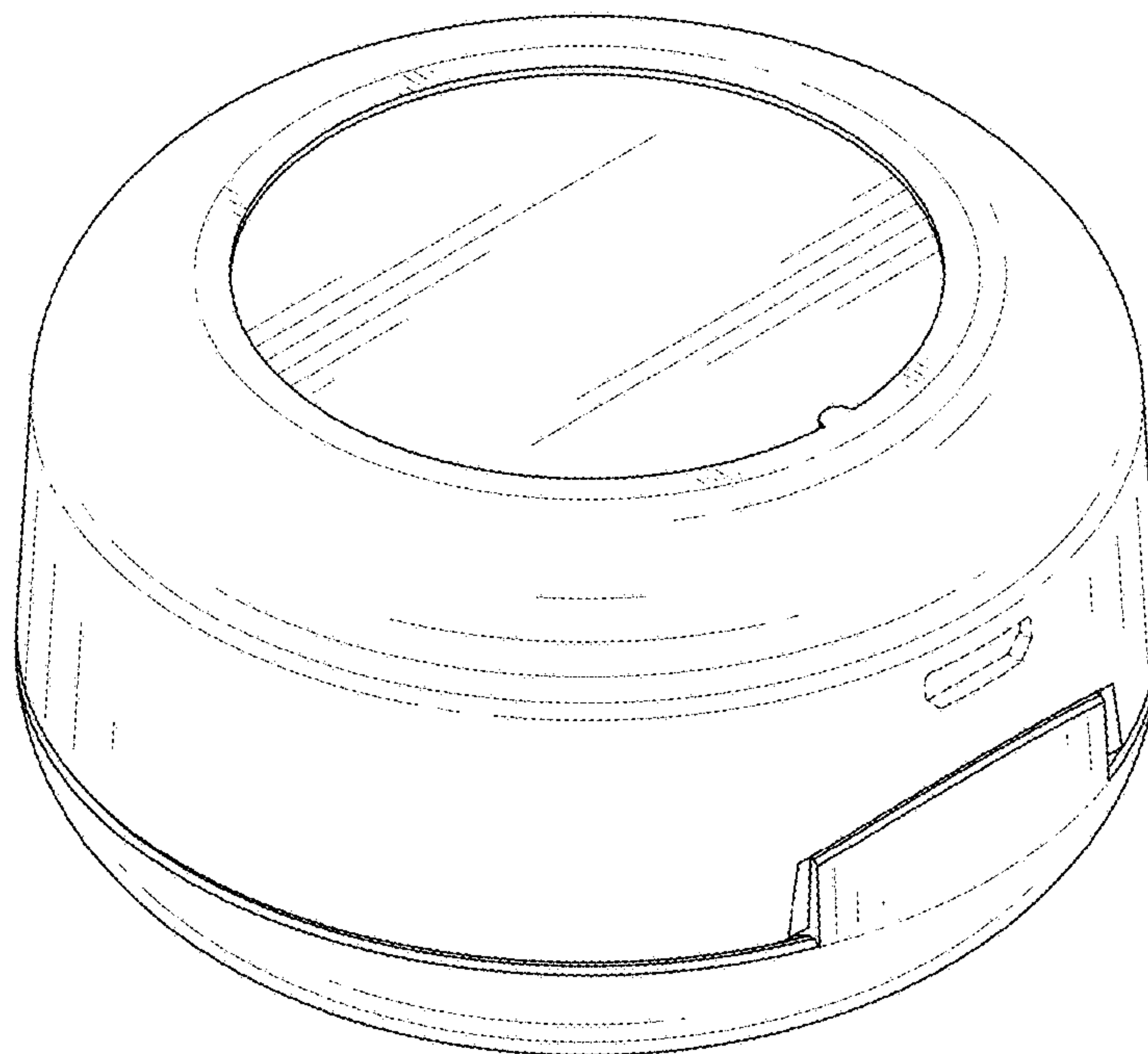


FIG. 2

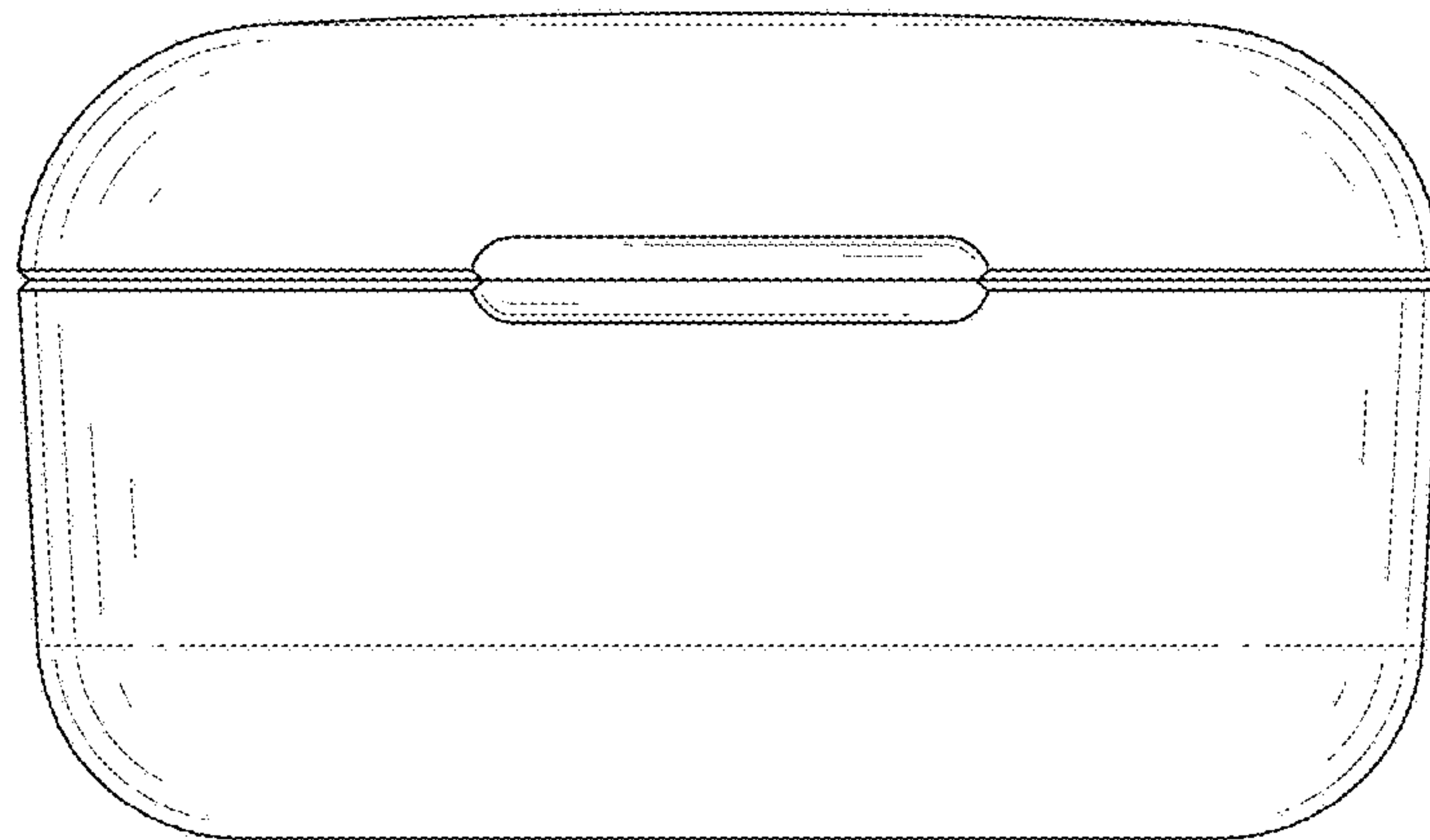


FIG. 3

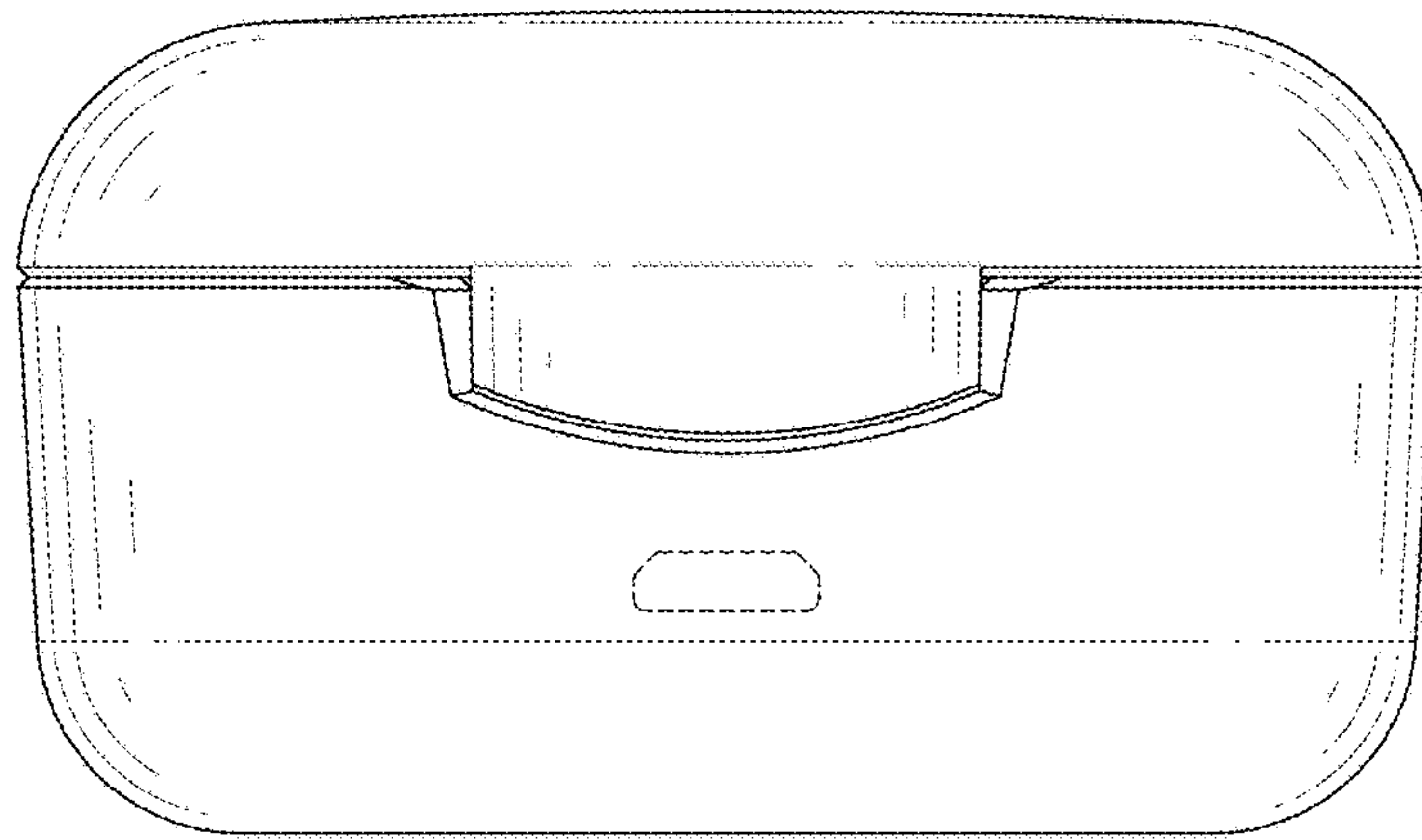


FIG. 4

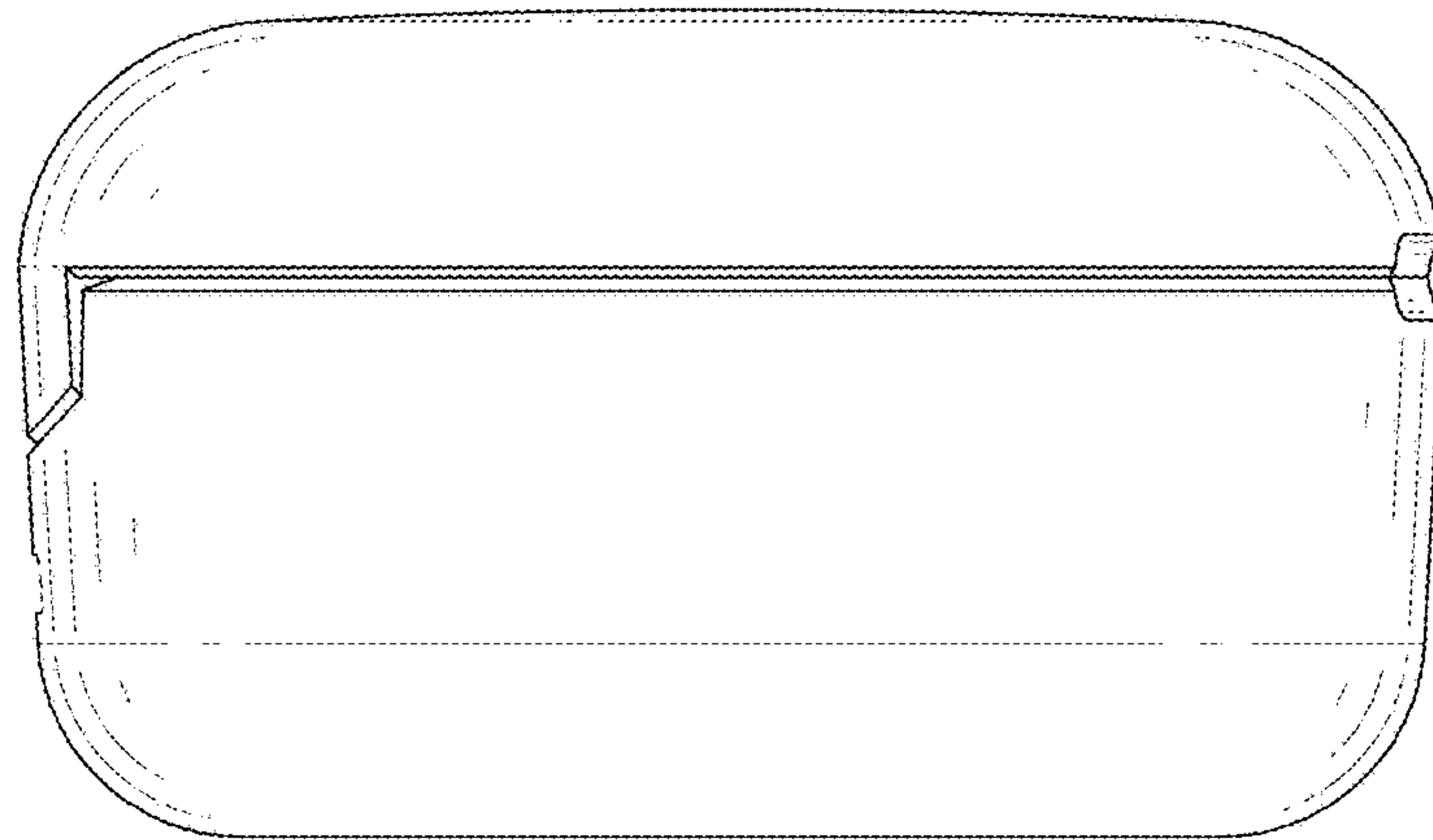


FIG. 5

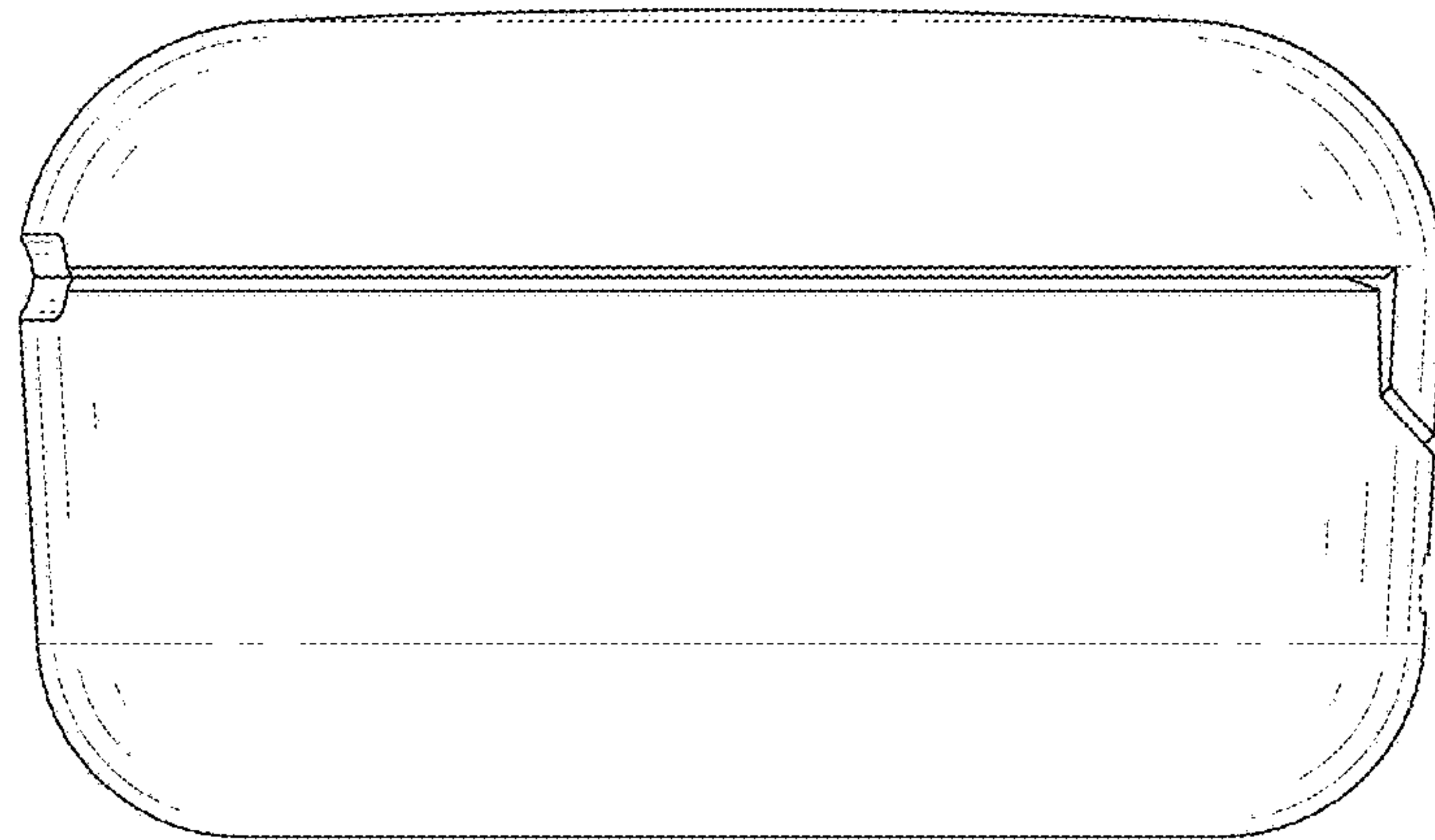


FIG. 6

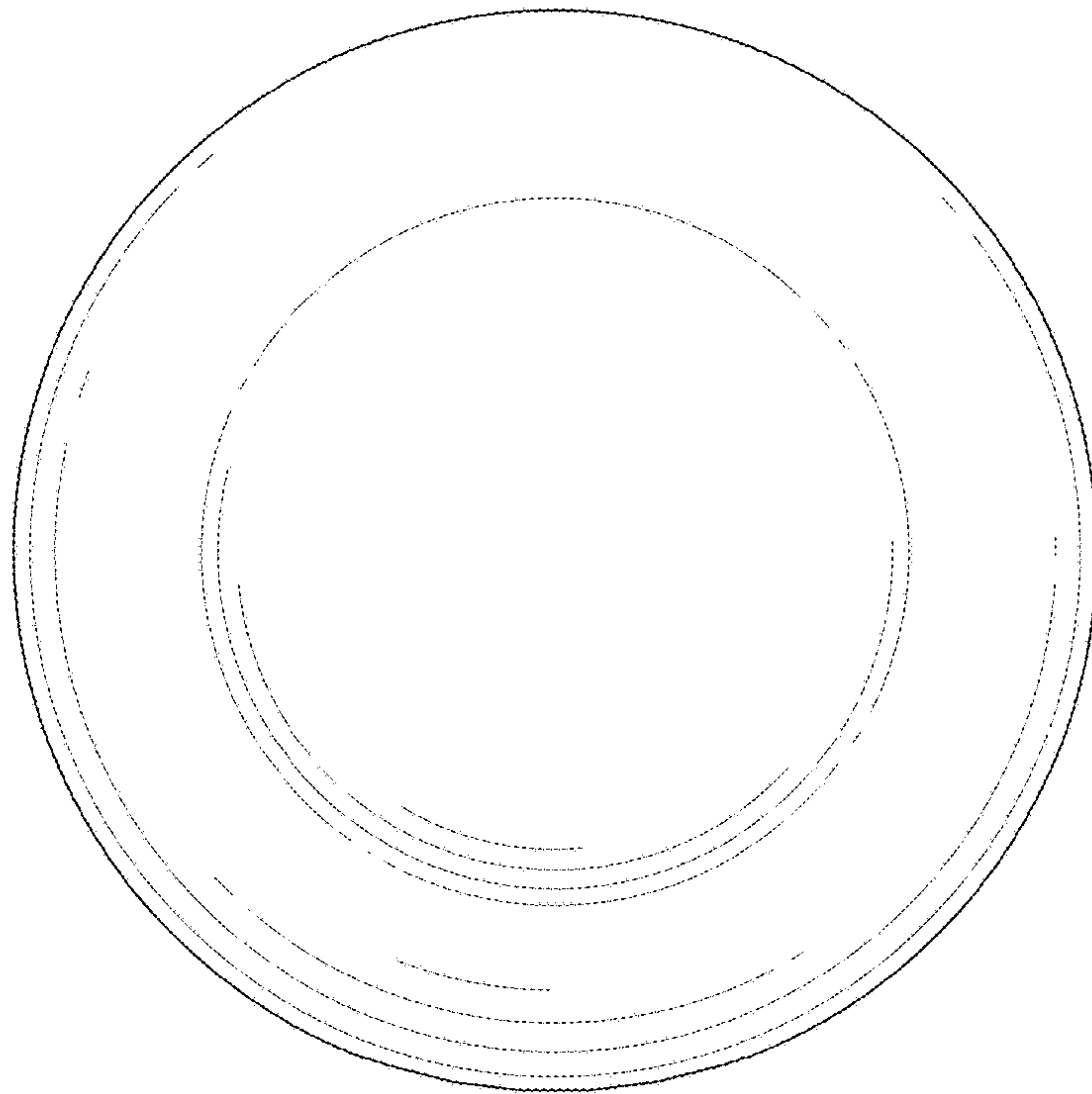


FIG. 7

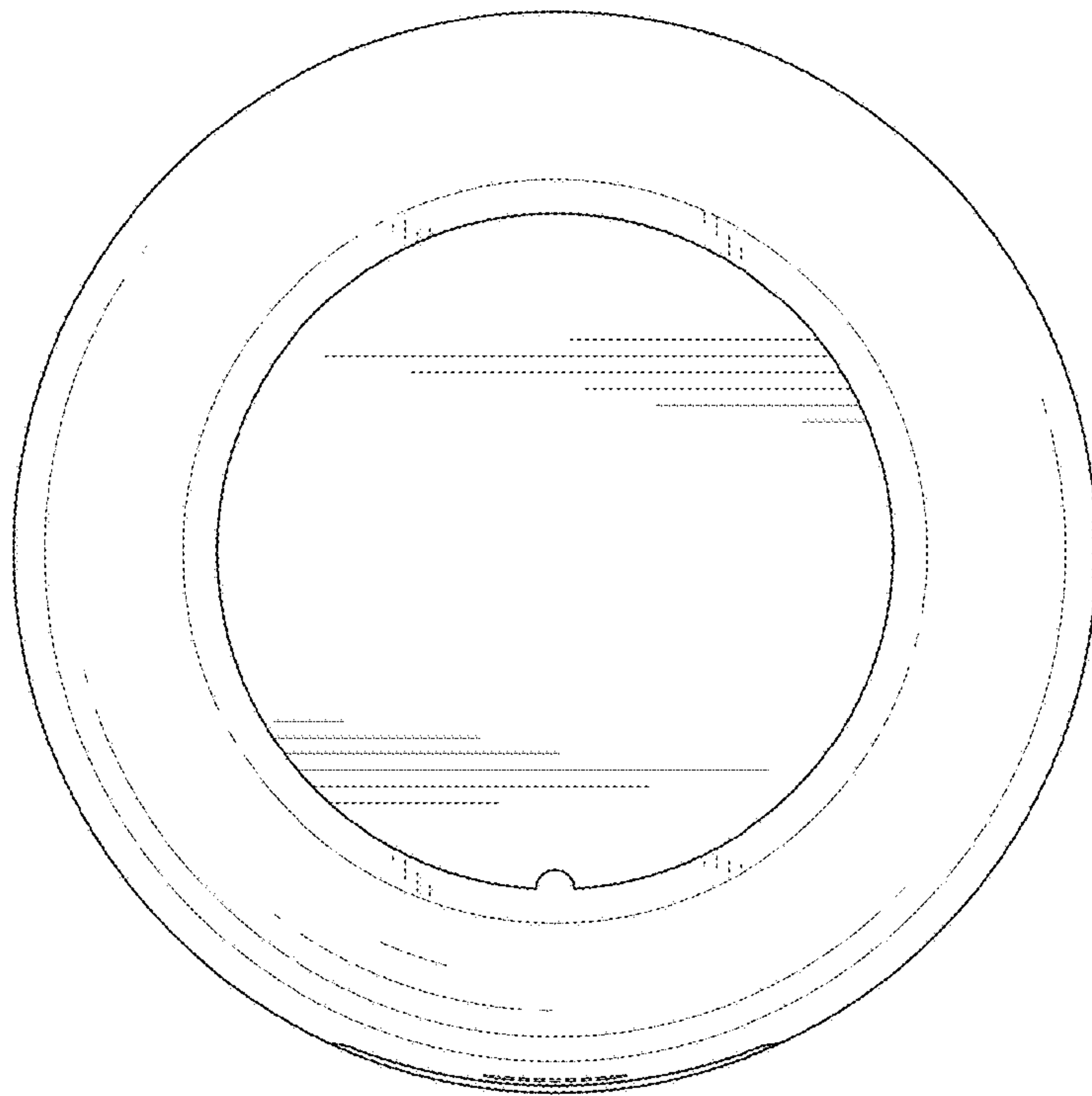


FIG. 8