



US00D851032S

(12) **United States Design Patent**
Santos et al.

(10) **Patent No.:** **US D851,032 S**
(45) **Date of Patent:** **** Jun. 11, 2019**

(54) **BATTERY PACK**

(71) Applicant: **FLIR Systems, Inc.**, Wilsonville, OR (US)

(72) Inventors: **Carlos Santos**, Dracut, MA (US); **Irina Puscasu**, Winchester, MA (US)

(73) Assignee: **FLIR Systems, Inc.**, Wilsonville, OR (US)

(**) Term: **15 Years**

(21) Appl. No.: **29/609,524**

(22) Filed: **Jun. 30, 2017**

(51) **LOC (11) Cl.** **13-02**

(52) **U.S. Cl.**
USPC **D13/103**

(58) **Field of Classification Search**
USPC D13/102-110, 118, 119, 184, 199;
D14/356, 432

CPC Y02E 60/10; Y02E 60/12; Y02E 60/122;
Y02E 60/124; Y02E 60/50; H01M
2/1061; H01M 2/1022; H01M 2/1055;
H01M 2/1066; H01M 2/105; H01M 2/20;
H01M 2/202; H01M 2/204; H01M 2/206;
H01M 2/02; H01M 2/022; H01M 2/0202;
H01M 2/0207; H01M 2/0212; H01M
10/44; H01M 10/46; H01M 10/465;
H01M 10/482; H01M 10/4257; H01M
10/0436; H01M 10/48; H01M 2250/30;
H01M 2250/40; H02J 7/00; H02J 7/0003;
H02J 7/0011; H02J 7/0013; H02J 7/0054;
H02J 7/0055; H02J 7/0057; H02J
2007/0062

See application file for complete search history.

(56) **References Cited**

U.S. PATENT DOCUMENTS

D384,032	S	*	9/1997	Lui	D13/103
D408,351	S	*	4/1999	Shim	D13/103
D491,888	S	*	6/2004	Lee	D13/103
D633,862	S	*	3/2011	Qualls	D13/104
D654,021	S	*	2/2012	Sweeney	D13/110
D719,095	S	*	12/2014	Oota	D13/103
D759,587	S	*	6/2016	Santos	D13/103
D759,592	S	*	6/2016	Santos	D13/119
D766,825	S	*	9/2016	Li	D13/110
2013/0183562	A1	*	7/2013	Workman	H01M 2/1022 429/100

* cited by examiner

Primary Examiner — Rosemary K Tarcza

Assistant Examiner — Christy M Nemeth

(74) *Attorney, Agent, or Firm* — Haynes and Boone, LLP

(57) **CLAIM**

The ornamental design for a battery pack, as shown and described.

DESCRIPTION

FIG. 1 is a front, left, and top perspective view of the battery pack embodying the new design;

FIG. 2 is a rear, left, and bottom perspective view thereof;

FIG. 3 is a front elevational view thereof;

FIG. 4 is a rear elevational view thereof;

FIG. 5 is a right side view thereof;

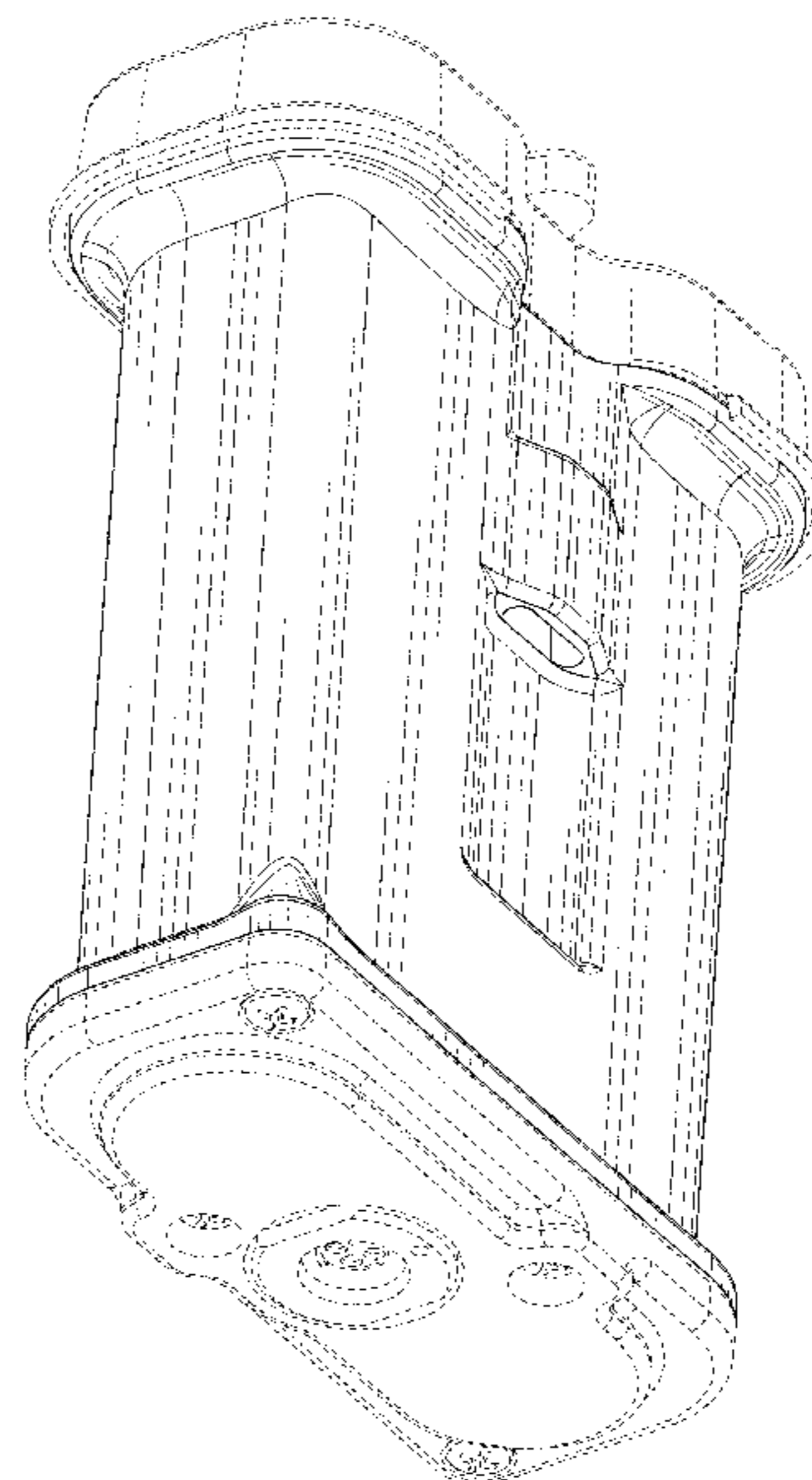
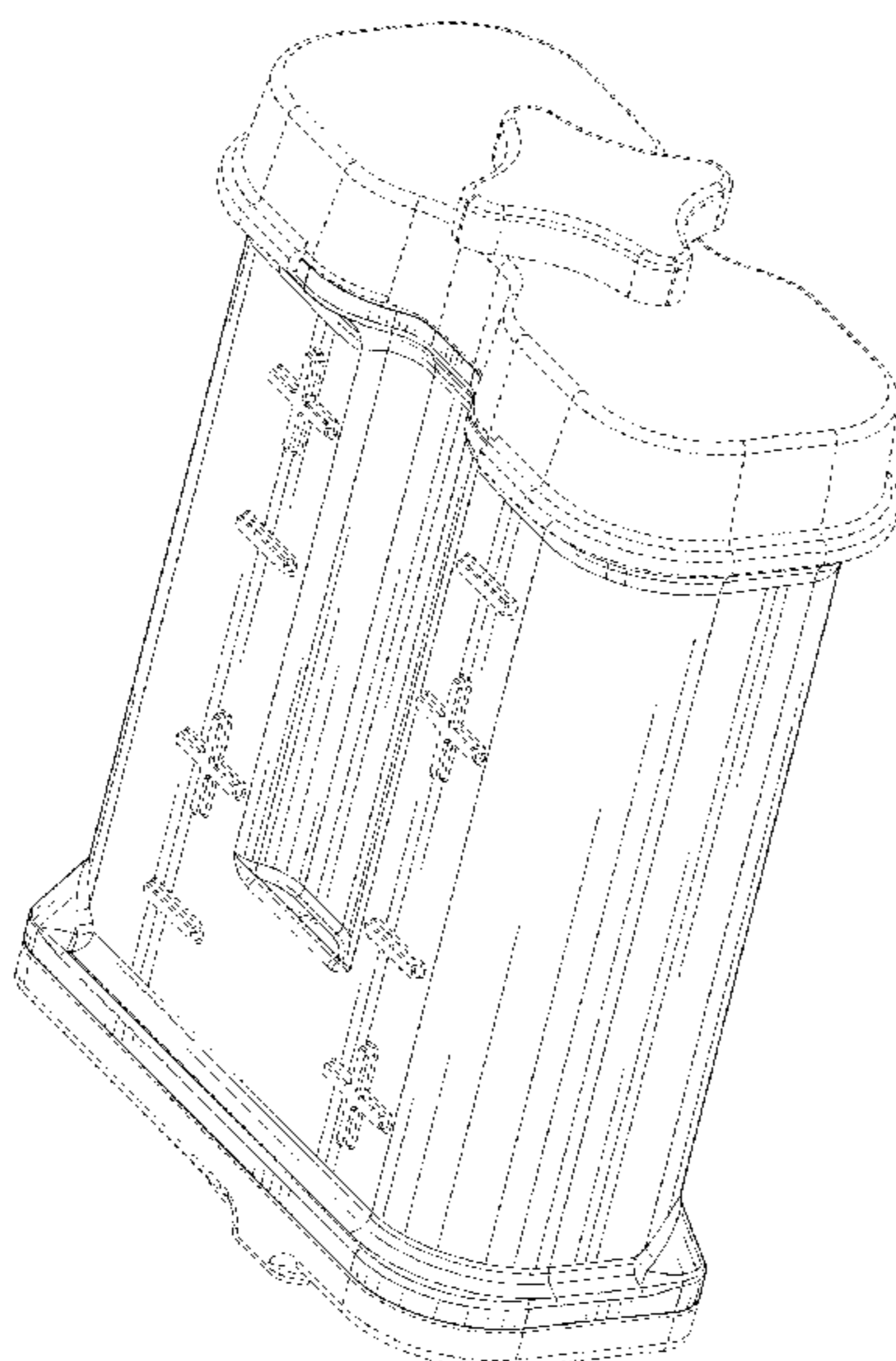
FIG. 6 is a left side view thereof;

FIG. 7 is a top plan view thereof; and,

FIG. 8 is a bottom plan view thereof.

The broken lines are shown for the purpose of illustrating portions of the battery pack and form no part of the claimed design.

1 Claim, 6 Drawing Sheets



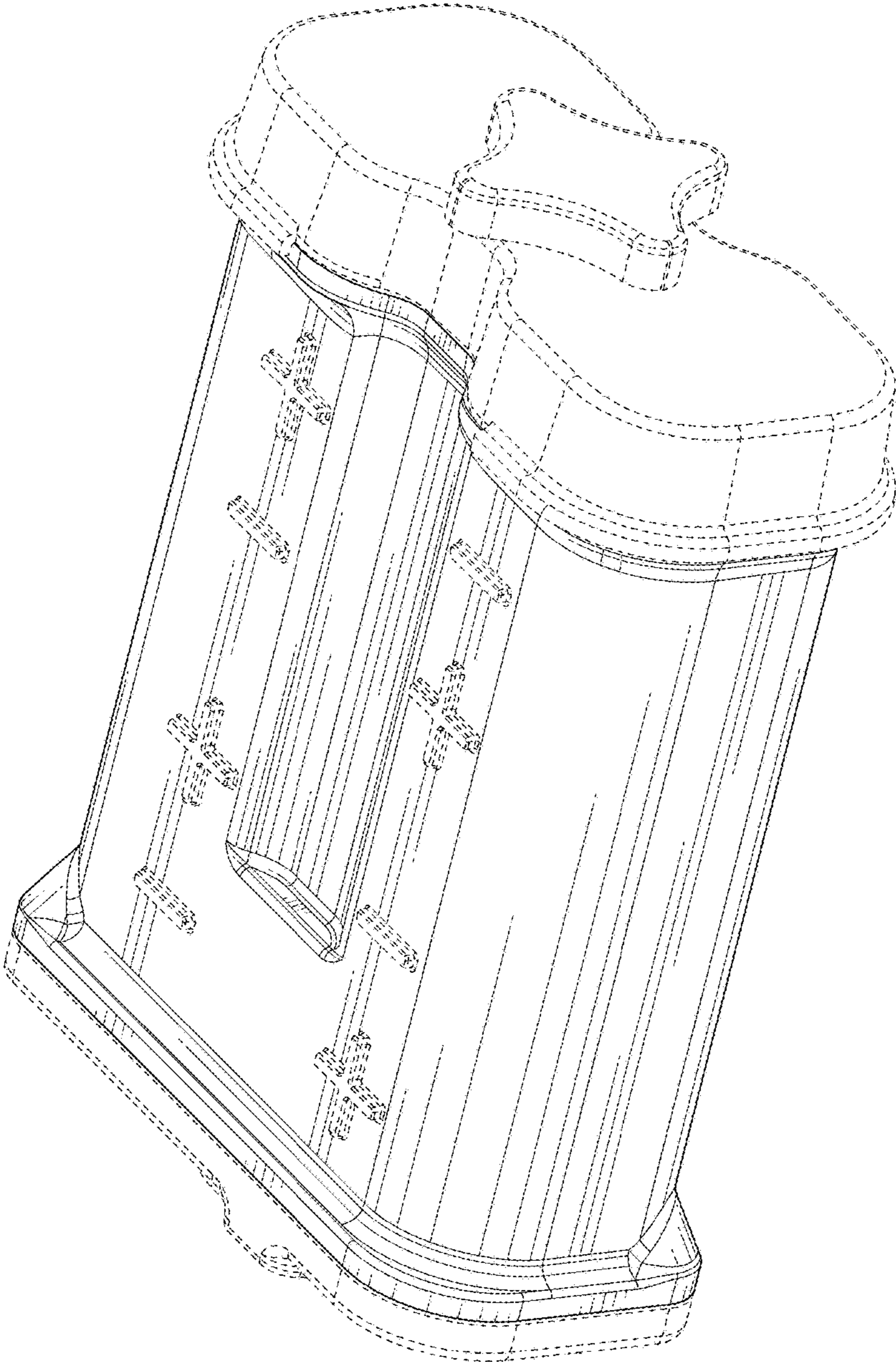


FIG. 1

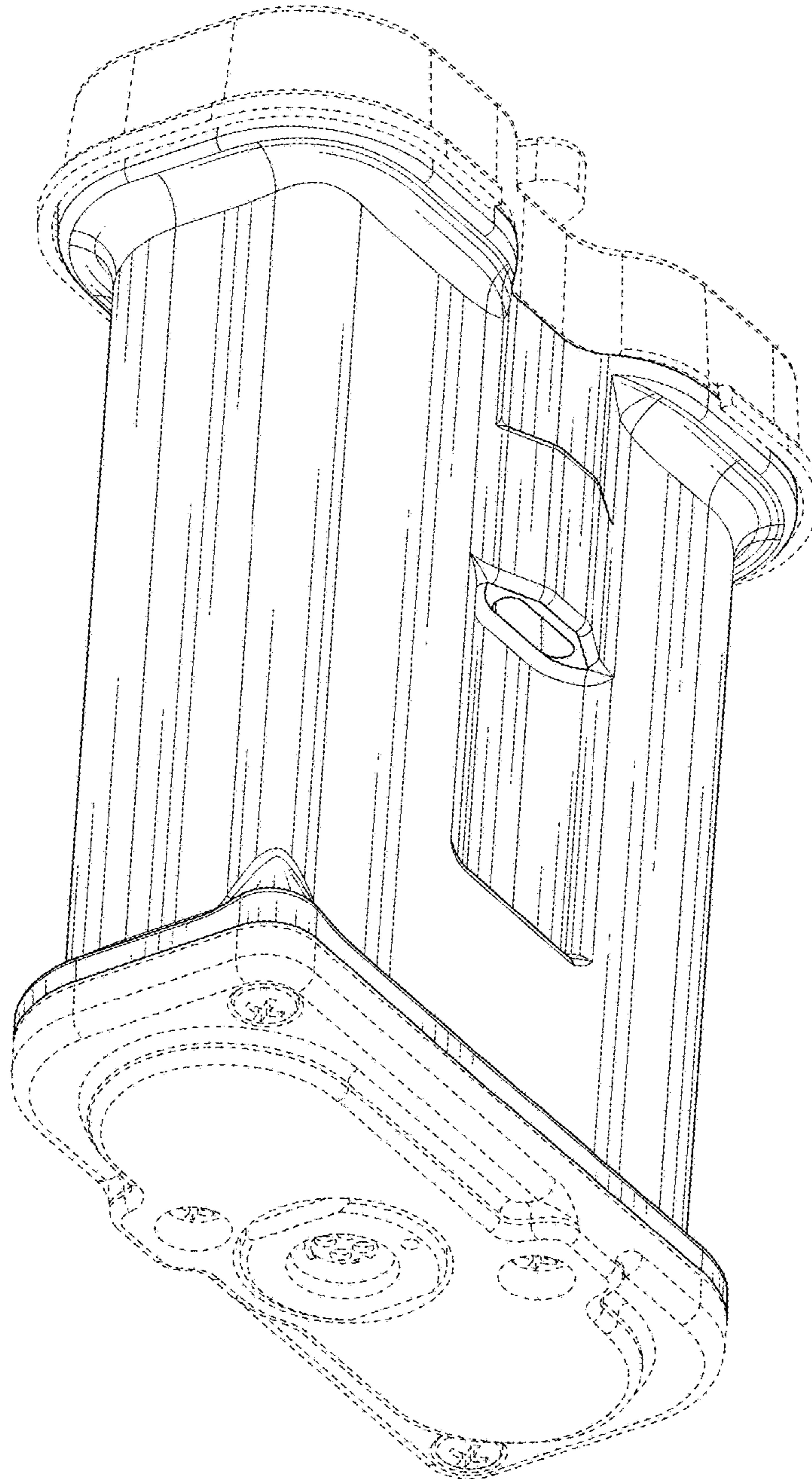


FIG. 2

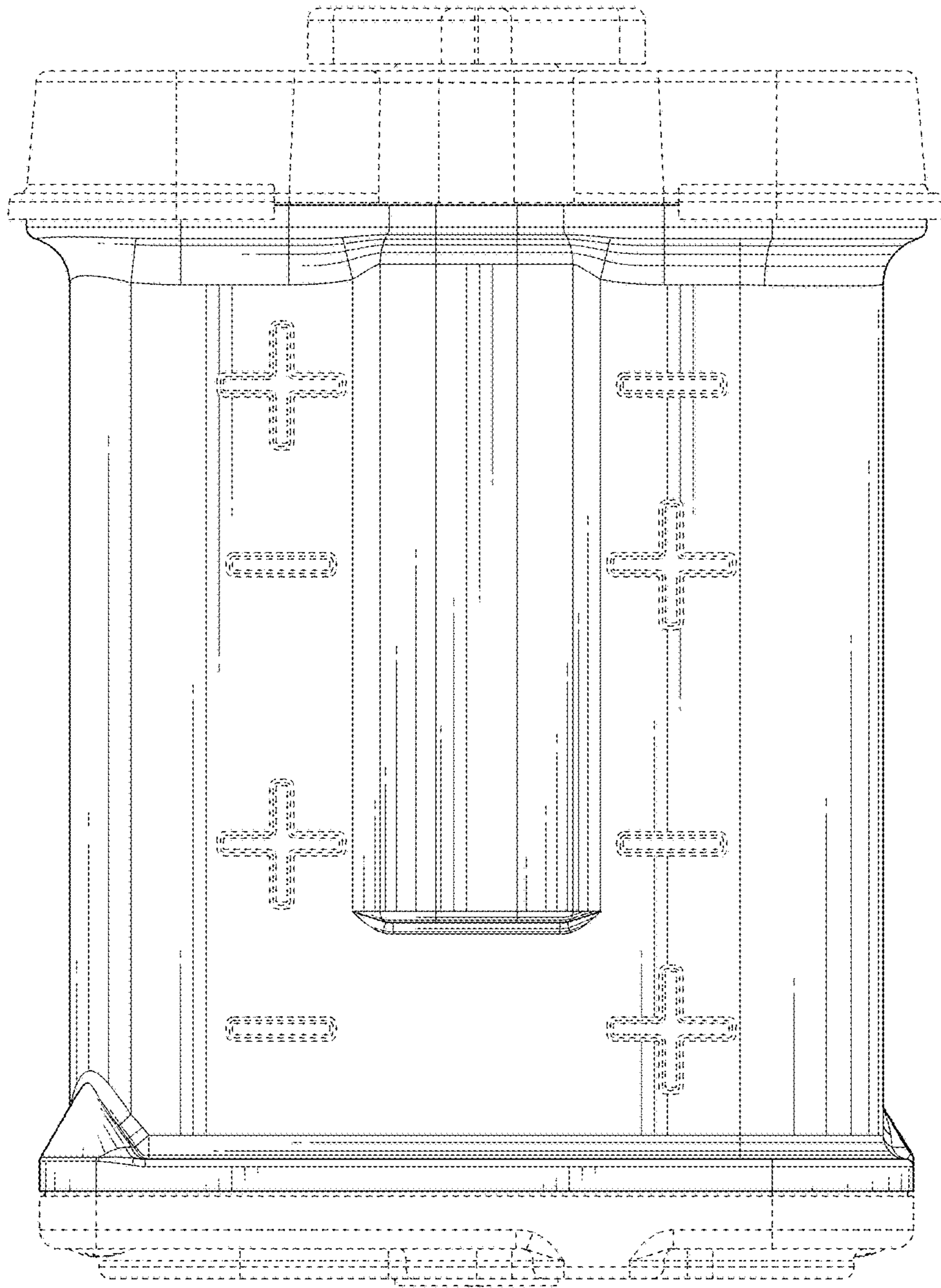


FIG. 3

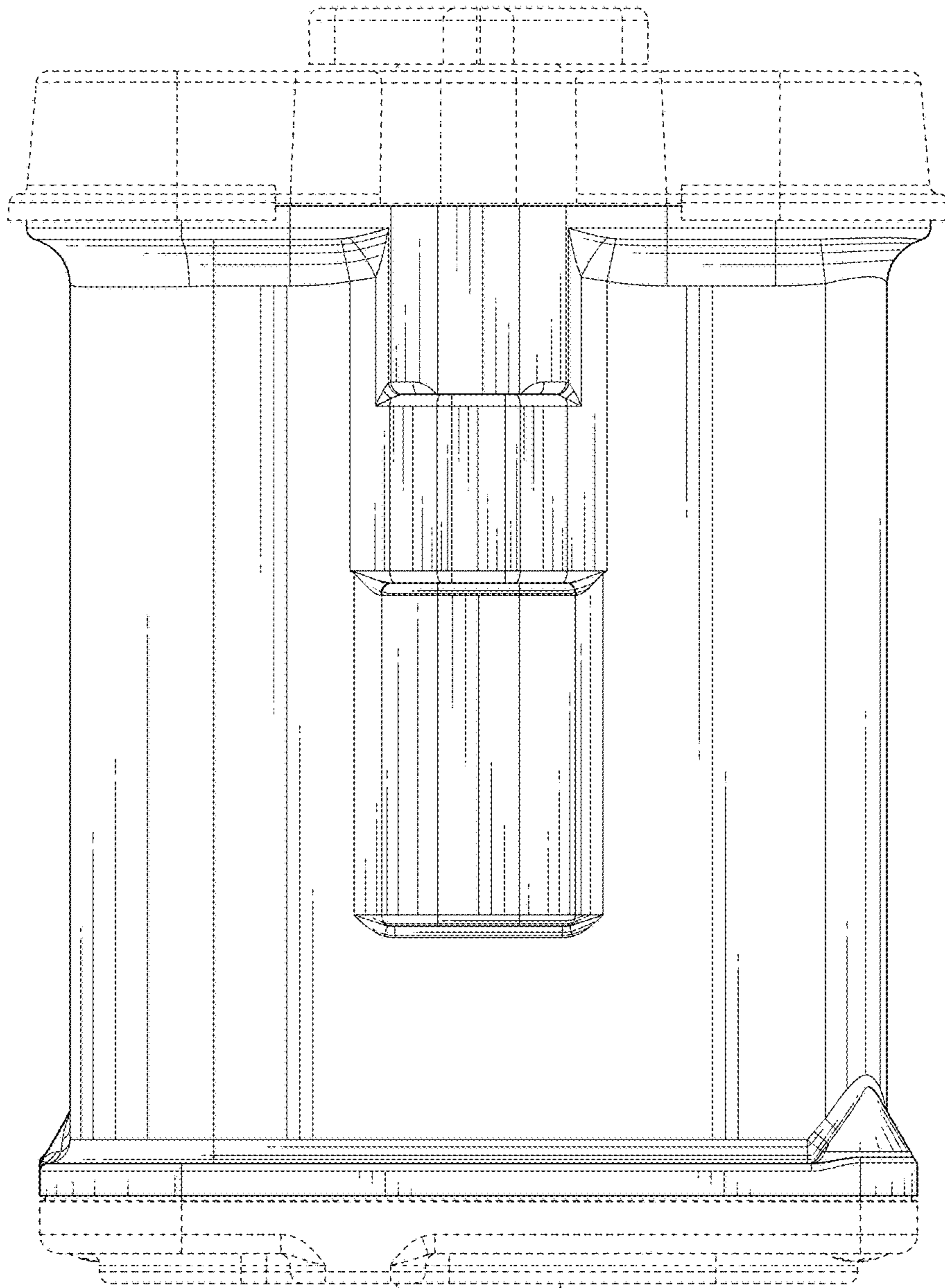


FIG. 4

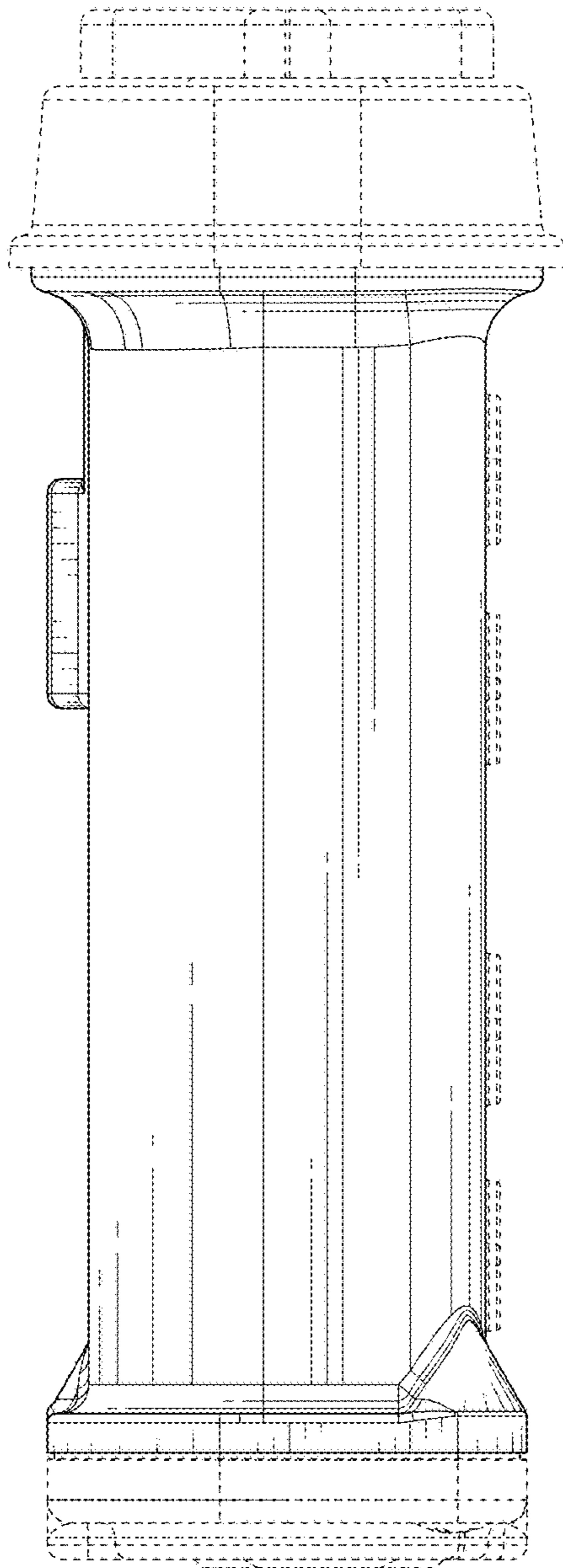


FIG. 5

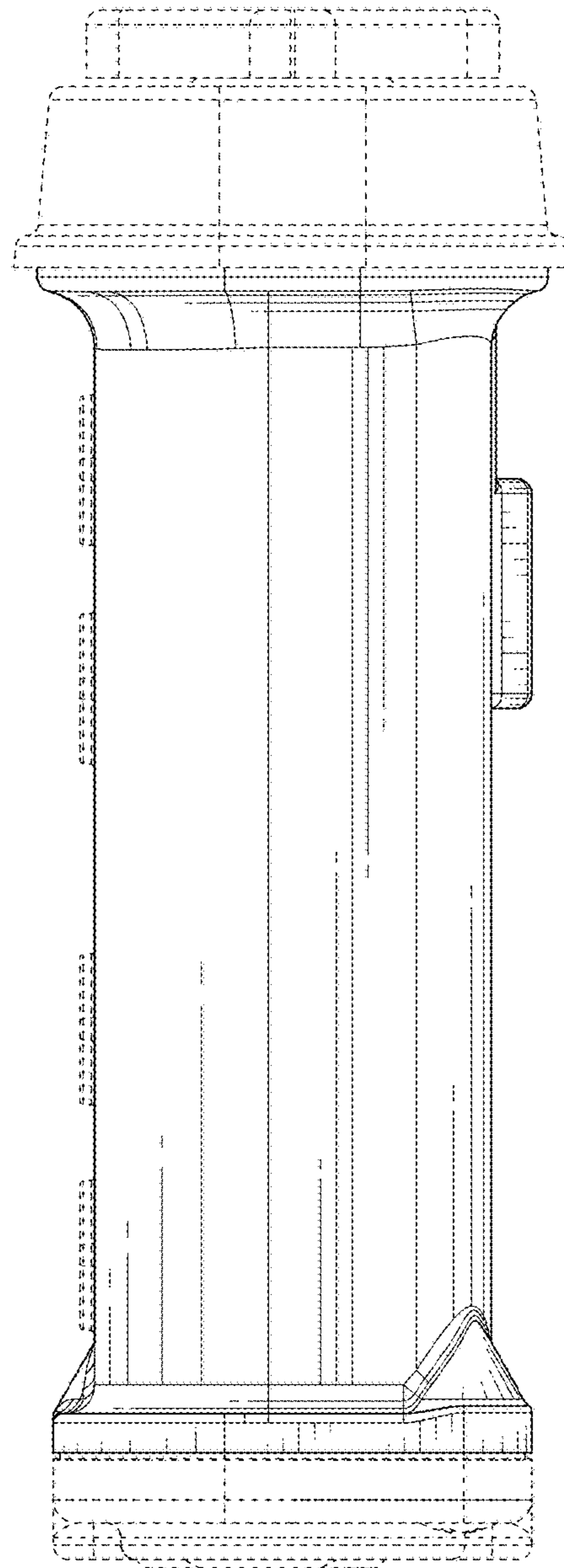


FIG. 6

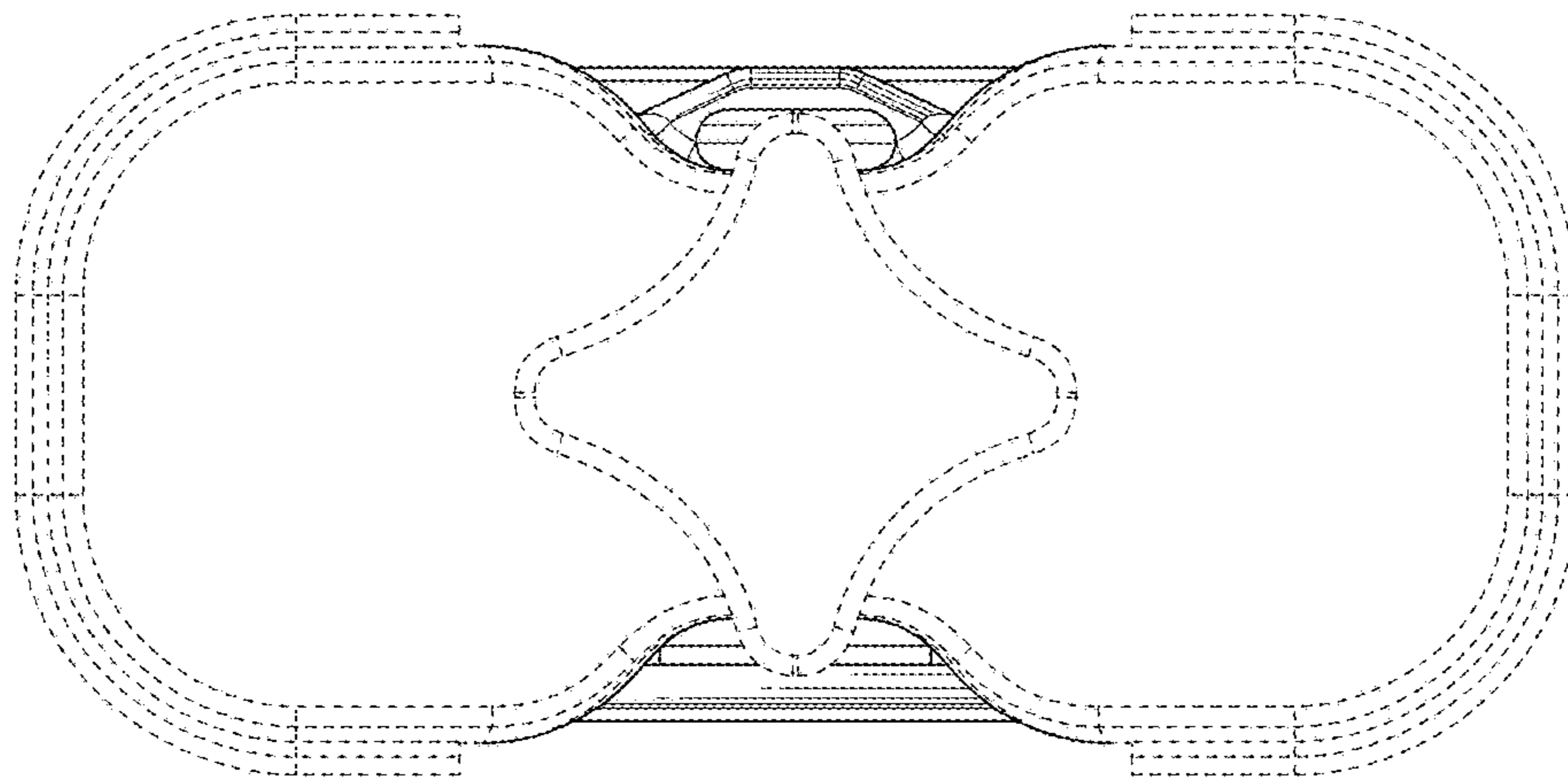


FIG. 7

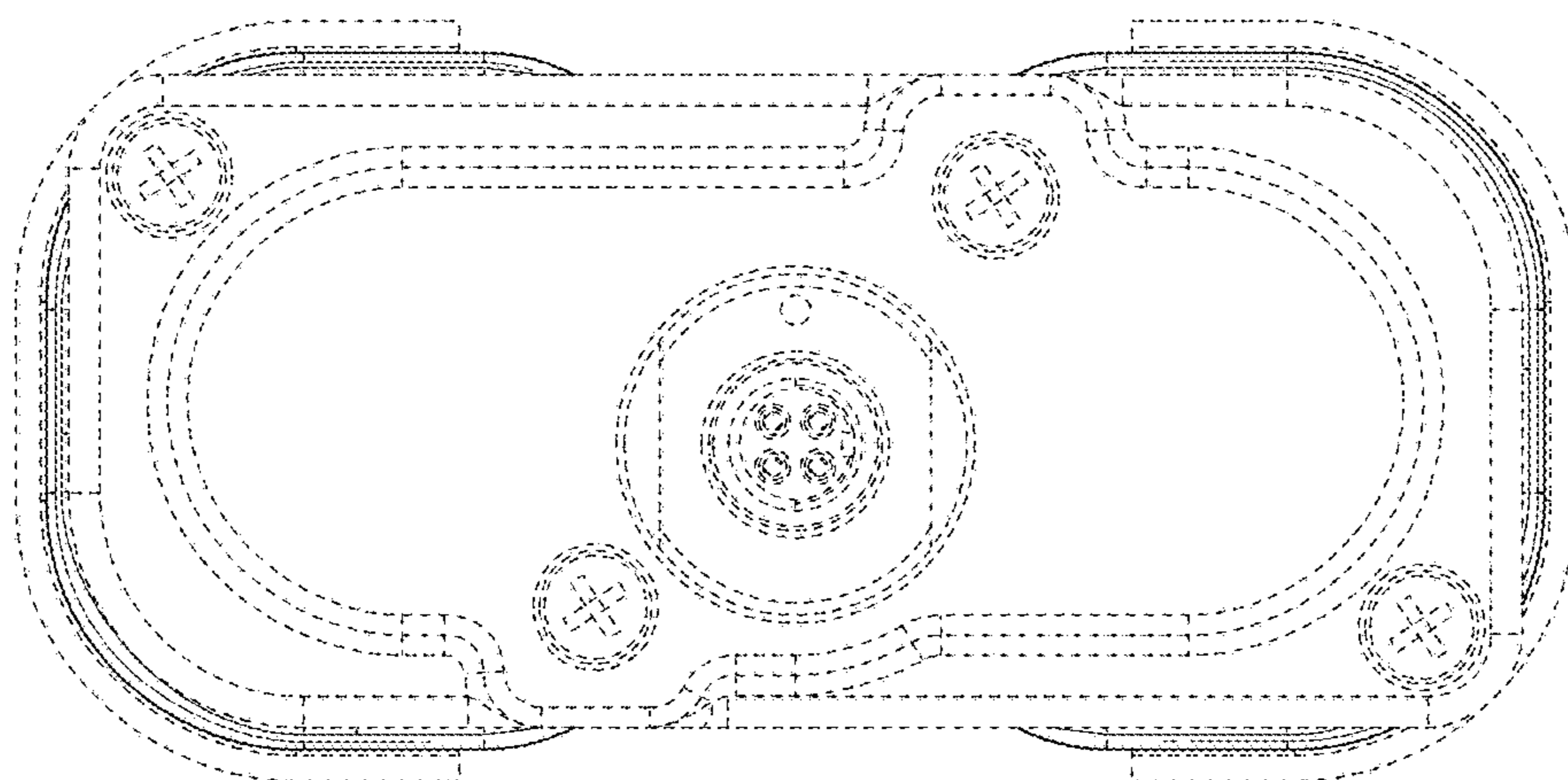


FIG. 8