



US00D851031S

(12) **United States Design Patent**
Franklin

(10) **Patent No.:** **US D851,031 S**

(45) **Date of Patent:** **** *Jun. 11, 2019**

(54) **PHOTOVOLTAIC PANEL SUPPORT**

(71) Applicant: **LUMOS SOLAR, LLC**, Nederland,
CO (US)

(72) Inventor: **Scott Franklin**, Nederland, CO (US)

(73) Assignee: **LUMOS SOLAR, LLC**, Nederland,
CO (US)

(*) Notice: This patent is subject to a terminal disclaimer.

(**) Term: **15 Years**

(21) Appl. No.: **29/638,359**

(22) Filed: **Feb. 27, 2018**

(51) **LOC (11) Cl.** **13-02**

(52) **U.S. Cl.**
USPC **D13/102**

(58) **Field of Classification Search**
USPC D13/101, 102, 103, 104, 105, 106, 118,
D13/184, 199
CPC H01L 31/00; H01L 31/02; H01L 31/042;
H01L 31/045; H01L 31/046; H01L
31/048; H01L 31/05; H01L 31/052; H01L
31/0525; H02S 30/00; H02S 20/10; H02S
20/23; H02S 20/30; H02S 40/34; H02S
40/44; H02S 30/10; F24J 2/52; F03G
6/00

See application file for complete search history.

(56) **References Cited**

U.S. PATENT DOCUMENTS

D611,405 S * 3/2010 Mackler D13/102
D649,929 S * 12/2011 Hafter D13/102

D649,930 S * 12/2011 Lindor D13/102
D657,736 S * 4/2012 Mackler D13/102
D657,737 S * 4/2012 Mackler D13/102
D657,738 S * 4/2012 Mackler D13/102
D698,308 S * 1/2014 Crider D13/102
D718,229 S * 11/2014 Thompson D13/102
D738,820 S * 9/2015 Beck D13/102
D751,976 S * 3/2016 Mackler D13/102
D825,448 S * 8/2018 Mackler D13/102

* cited by examiner

Primary Examiner — Daniel D Bui

(74) *Attorney, Agent, or Firm* — Hoffmann and Baron,
LLP

(57) **CLAIM**

The ornamental design for a photovoltaic panel support, as shown and described.

DESCRIPTION

FIG. 1 is a top perspective view of a photovoltaic panel support, showing my new design; FIG. 2 is a front elevational view thereof; FIG. 3 is a left side elevational view thereof; FIG. 4 is the right side elevational view thereof; FIG. 5 is a back elevational view thereof; FIG. 6 is a top plan view thereof; and FIG. 7 is a bottom elevational view thereof. FIG. 8 is a top perspective view thereof, in use condition; FIG. 9 is a bottom perspective view thereof, in use condition; and, FIG. 10 is another top perspective view thereof, in use condition.

The broken line shown in the drawing views is for the purpose of illustrating unclaimed environment only and forms no part of the claimed design.

1 Claim, 10 Drawing Sheets

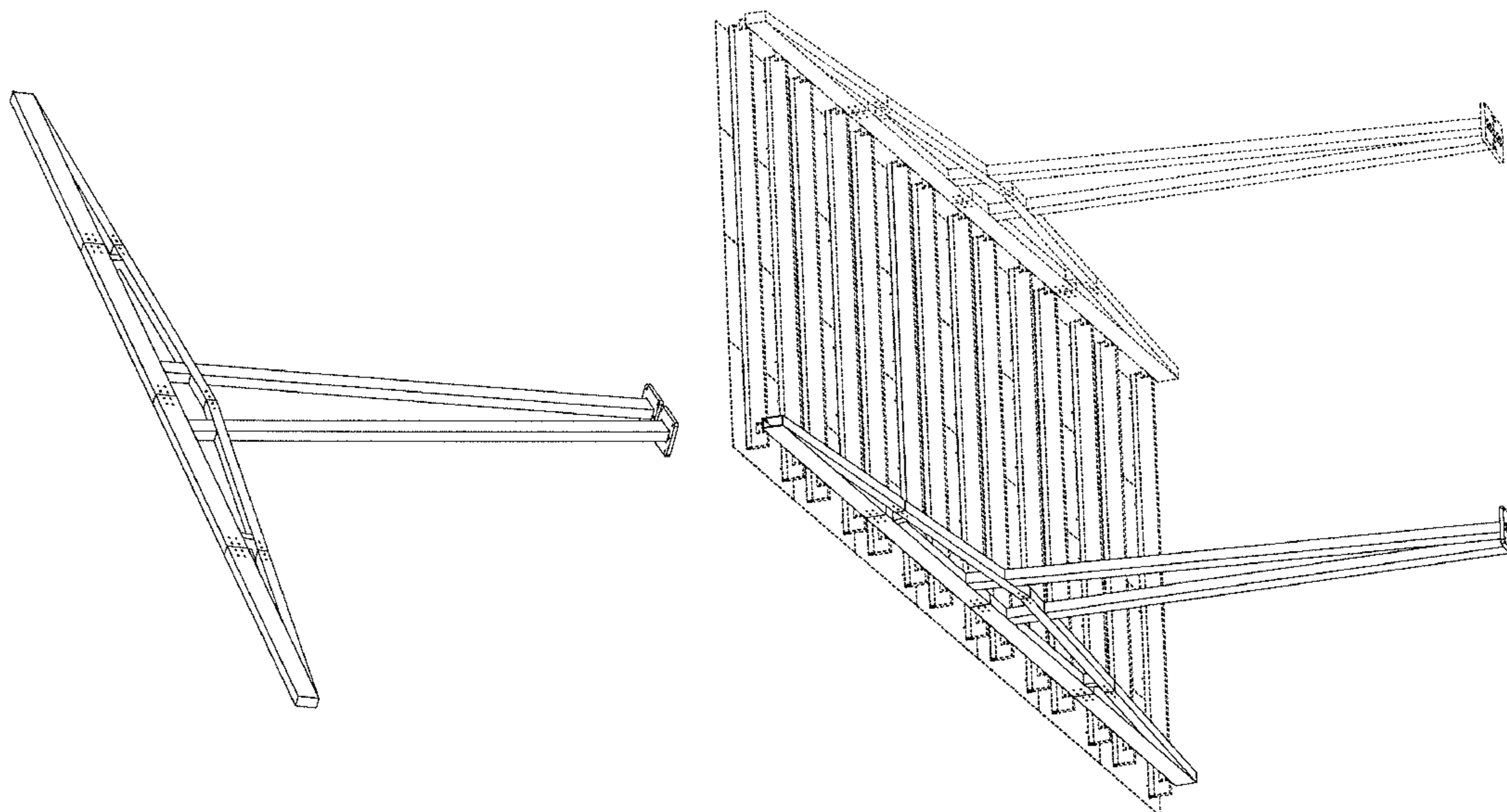


FIG 1

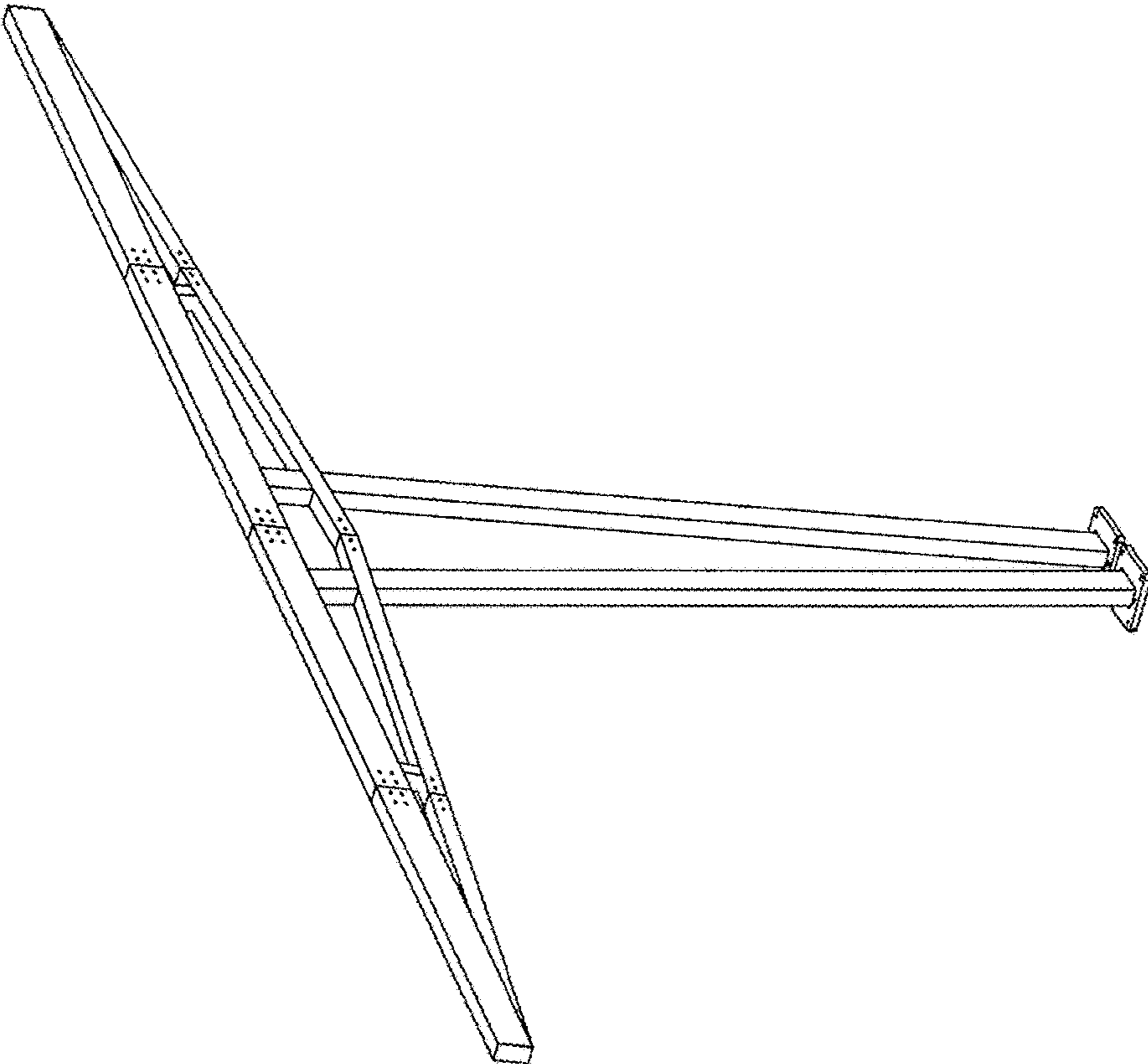


FIG 2

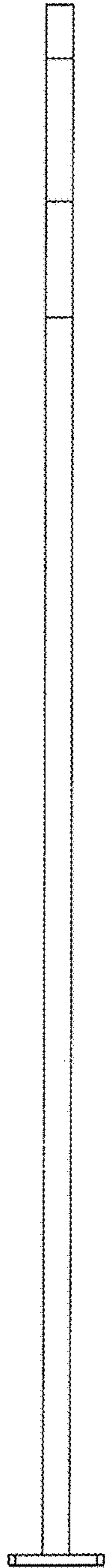


FIG 3

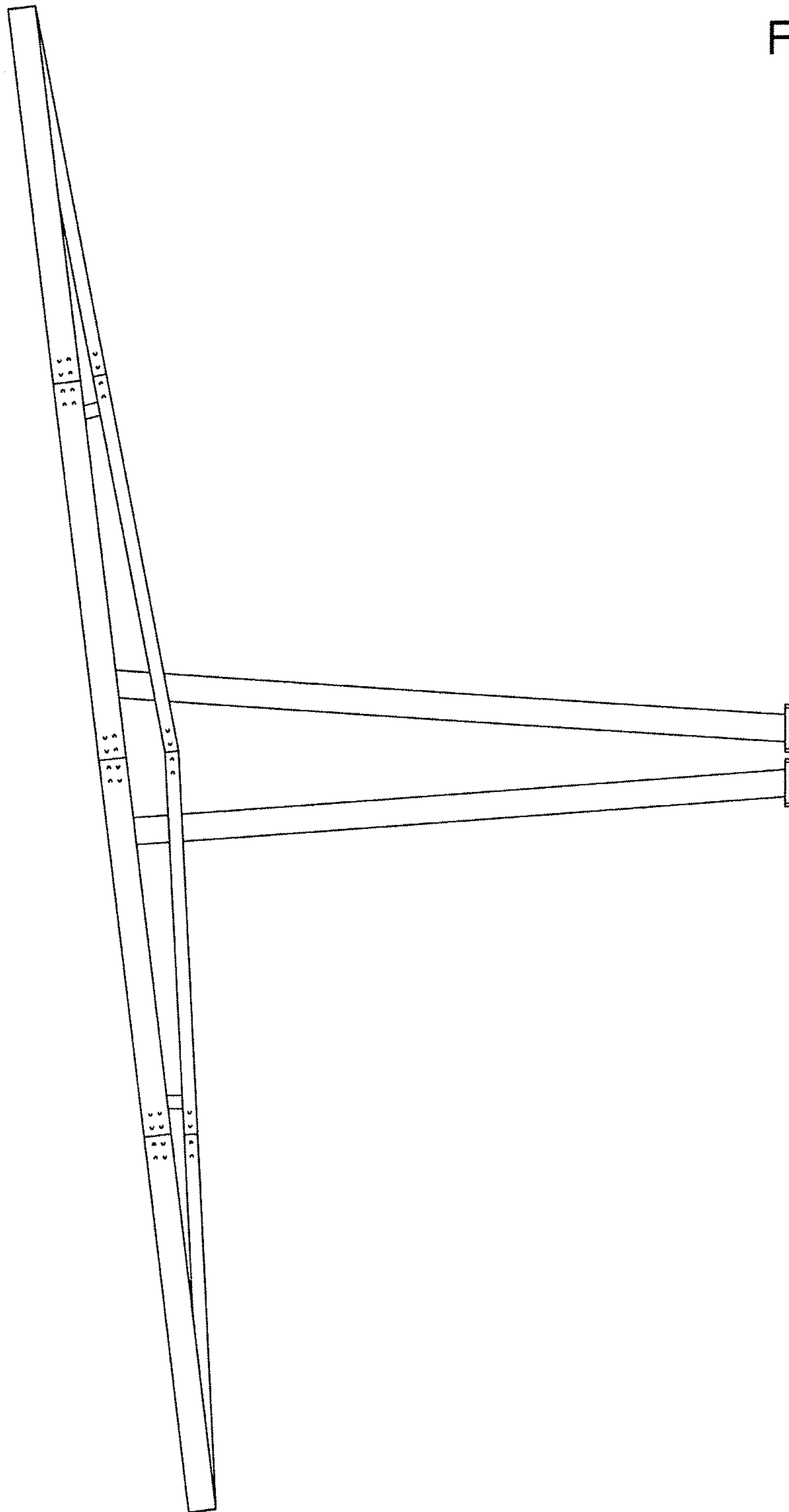


FIG 4

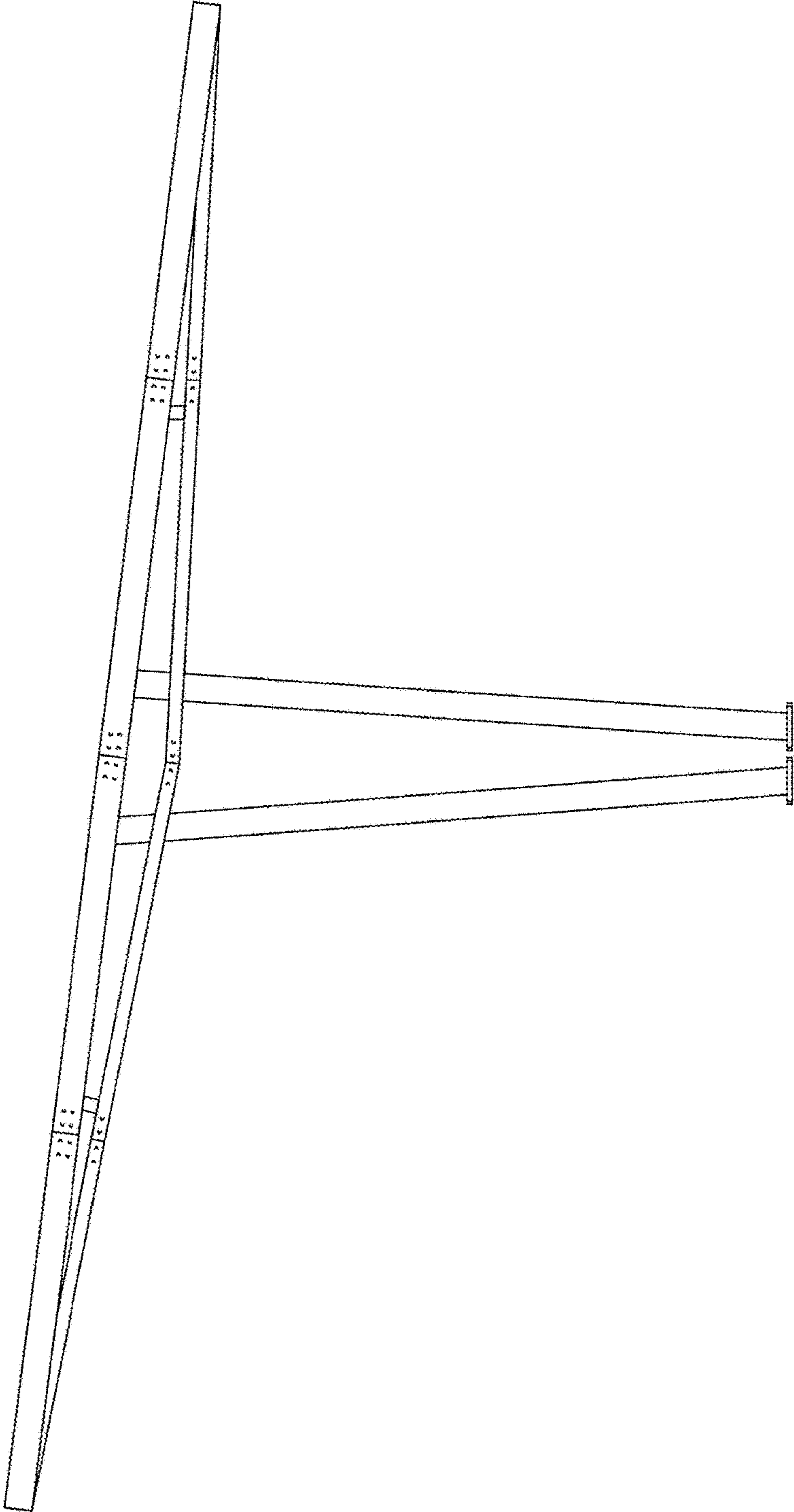


FIG 5

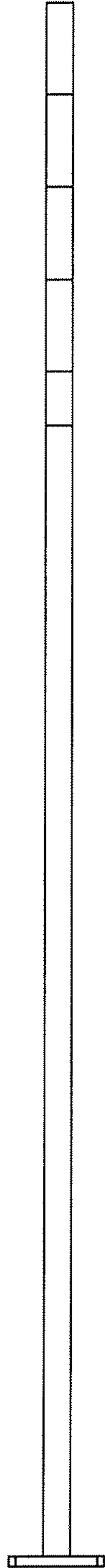


FIG 6



FIG 7

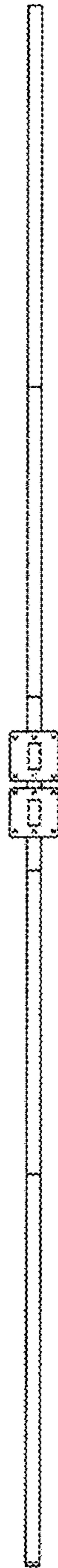


FIG 8

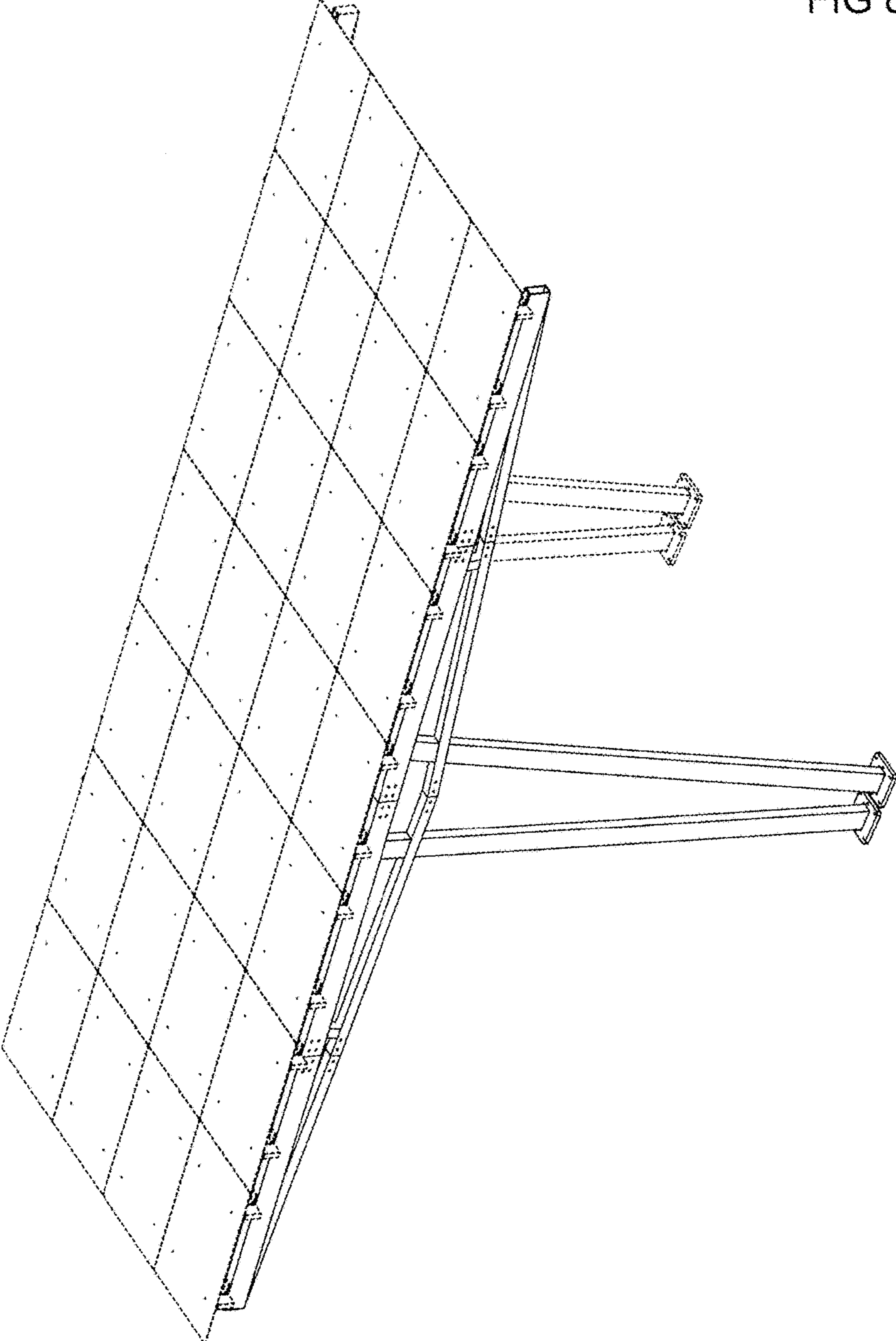


FIG 9

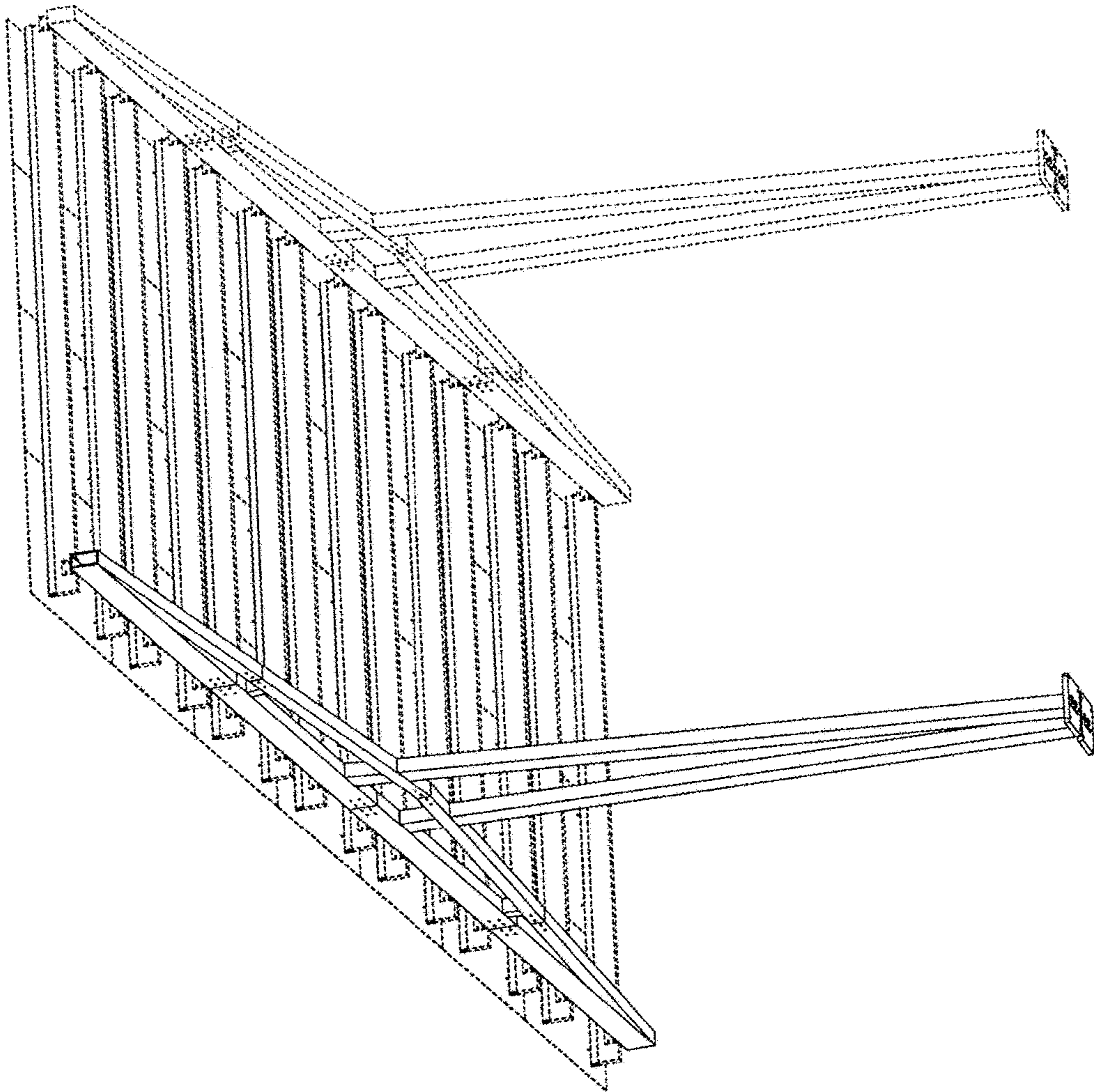


FIG 10

