



US00D851018S

(12) **United States Design Patent**
D'Halluin et al.

(10) **Patent No.:** **US D851,018 S**
(45) **Date of Patent:** **** Jun. 11, 2019**

(54) **TOUCHSCREEN FOR AIRPLANE CONSOLES**
(71) Applicant: **DASSAULT AVIATION**, Paris (FR)
(72) Inventors: **Marion D'Halluin**, Boulogne Billancourt (FR); **Jean-Remi Billon**, Paris (FR); **Matthieu Poidatz**, Suresnes (FR); **Agnès Gervais**, Paris (FR)
(73) Assignee: **DASSAULT AVIATION**, Paris (FR)

8,827,222 B2 * 9/2014 Jacobson F16M 13/02 248/205.5
9,446,720 B1 * 9/2016 Prazeres B60R 11/0258
D837,131 S * 1/2019 Robillard D12/415
2013/0058014 A1 * 3/2013 King, II B60R 11/0211 361/679.01
2014/0354002 A1 * 12/2014 Bisceglia B60R 11/02 296/37.12
2016/0114889 A1 * 4/2016 Kearsy B64D 11/0015 312/246
2017/0233184 A1 * 8/2017 Bacallao A47B 88/487 312/246

(**) Term: **15 Years**

* cited by examiner

(21) Appl. No.: **29/603,974**

Primary Examiner — Katrina A Betton

(22) Filed: **May 15, 2017**

(74) *Attorney, Agent, or Firm* — Davidson, Davidson & Kappel, LLC

(30) **Foreign Application Priority Data**

Nov. 14, 2016 (EM) 003462274-0001

(51) **LOC (11) Cl.** **12-16**

(52) **U.S. Cl.**
USPC **D12/415**

(58) **Field of Classification Search**
USPC D12/415-420, 400, 191, 106, 195, 345, D12/96, 99
CPC B60R 7/04; B60R 7/08
See application file for complete search history.

(56) **References Cited**

U.S. PATENT DOCUMENTS

6,354,649 B1 * 3/2002 Lee B60K 37/02 185/39
7,900,988 B2 * 3/2011 Ryu B60R 11/0235 224/483

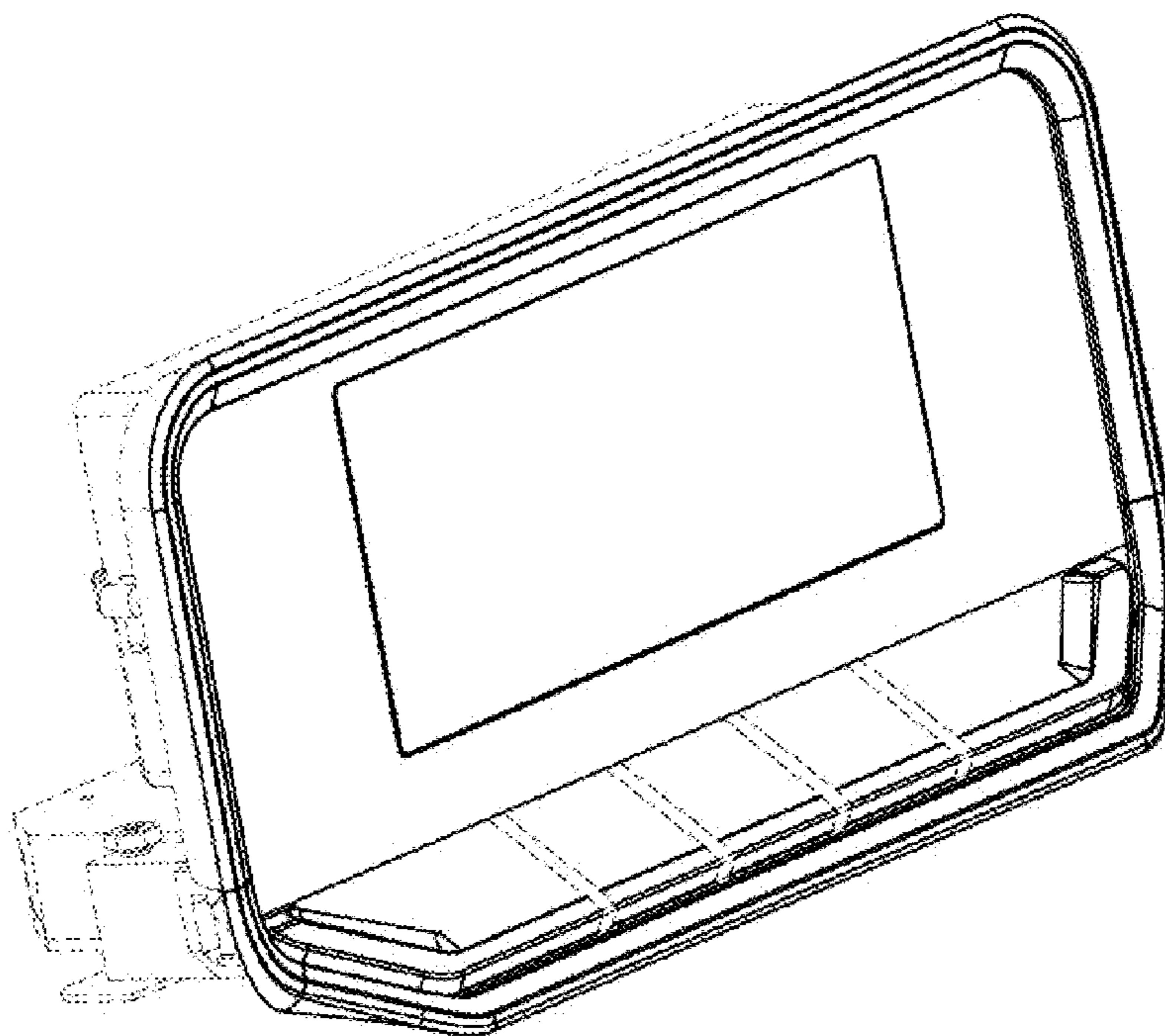
(57) **CLAIM**

The ornamental design for a touchscreen for airplane consoles, as shown and described.

DESCRIPTION

FIG. 1 is a front perspective view of the claimed design; FIG. 2 is a top plan view of the claimed design; FIG. 3 is a front elevation view of the claimed design; FIG. 4 is a bottom plan view of the claimed design; FIG. 5 is a left side elevation view of the claimed design; and, FIG. 6 is a right side elevation view of the claimed design. The broken line representations in the figures are for illustration only and form no part of the claimed design.

1 Claim, 6 Drawing Sheets



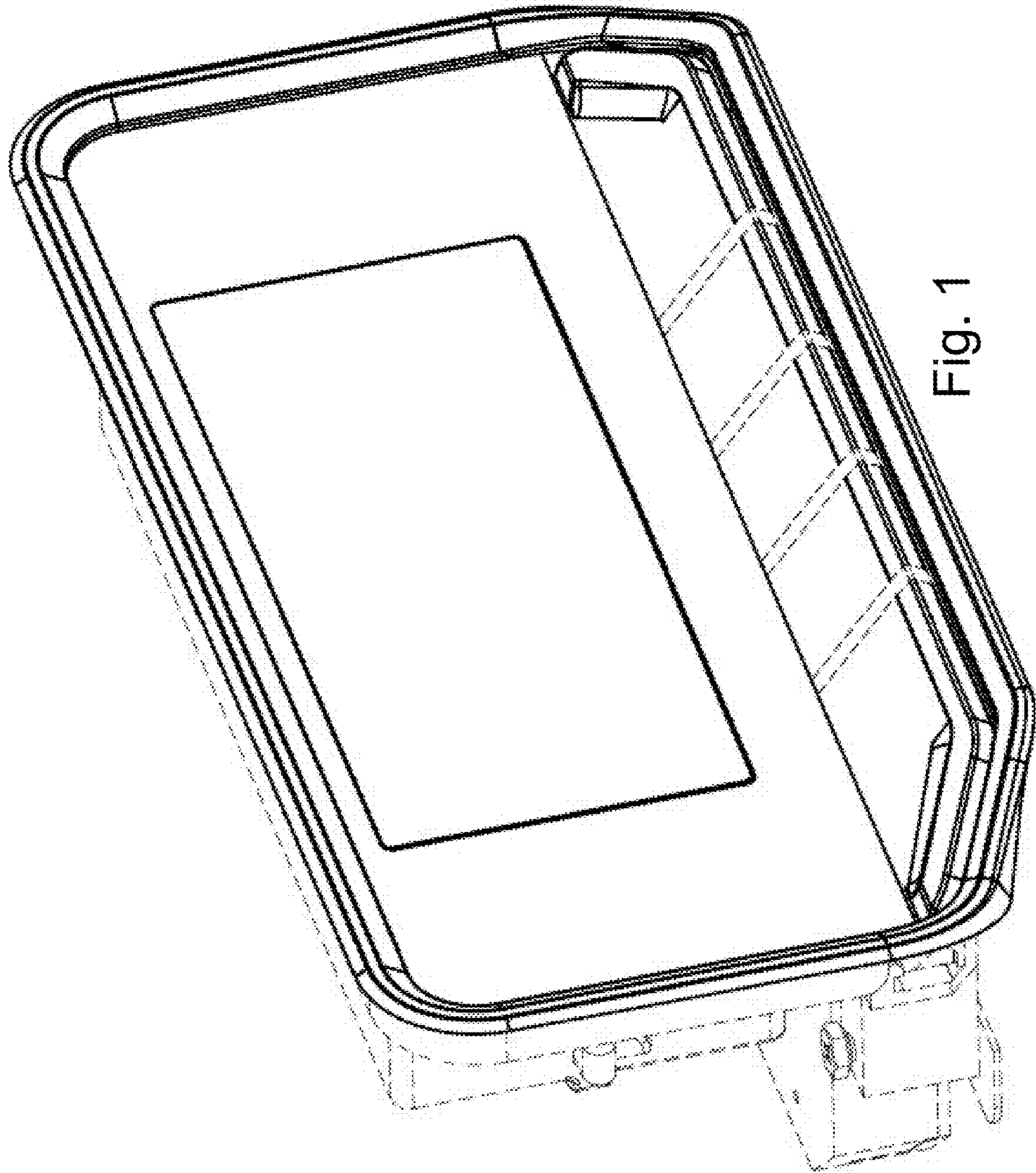


Fig. 1

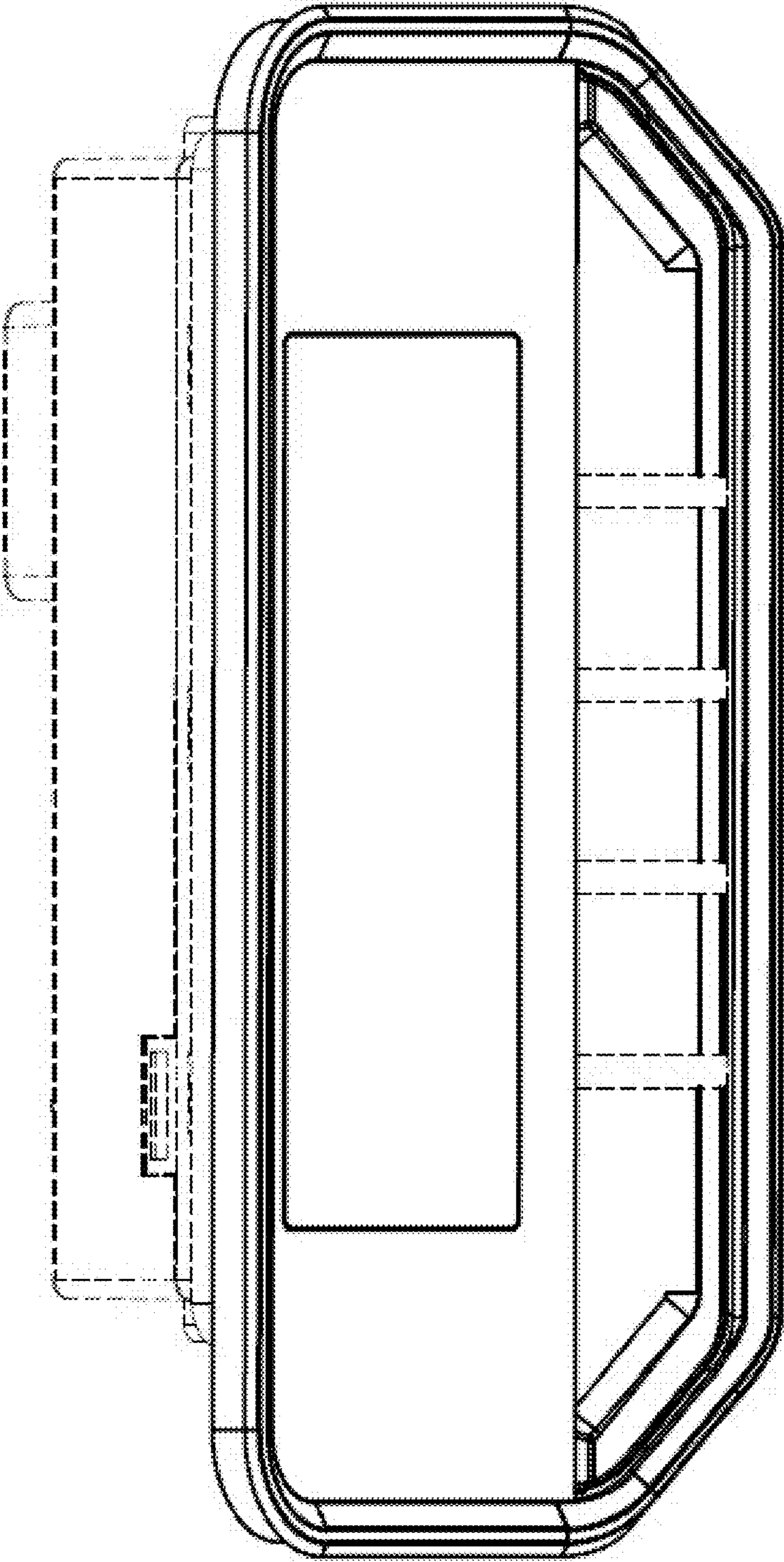


Fig. 2

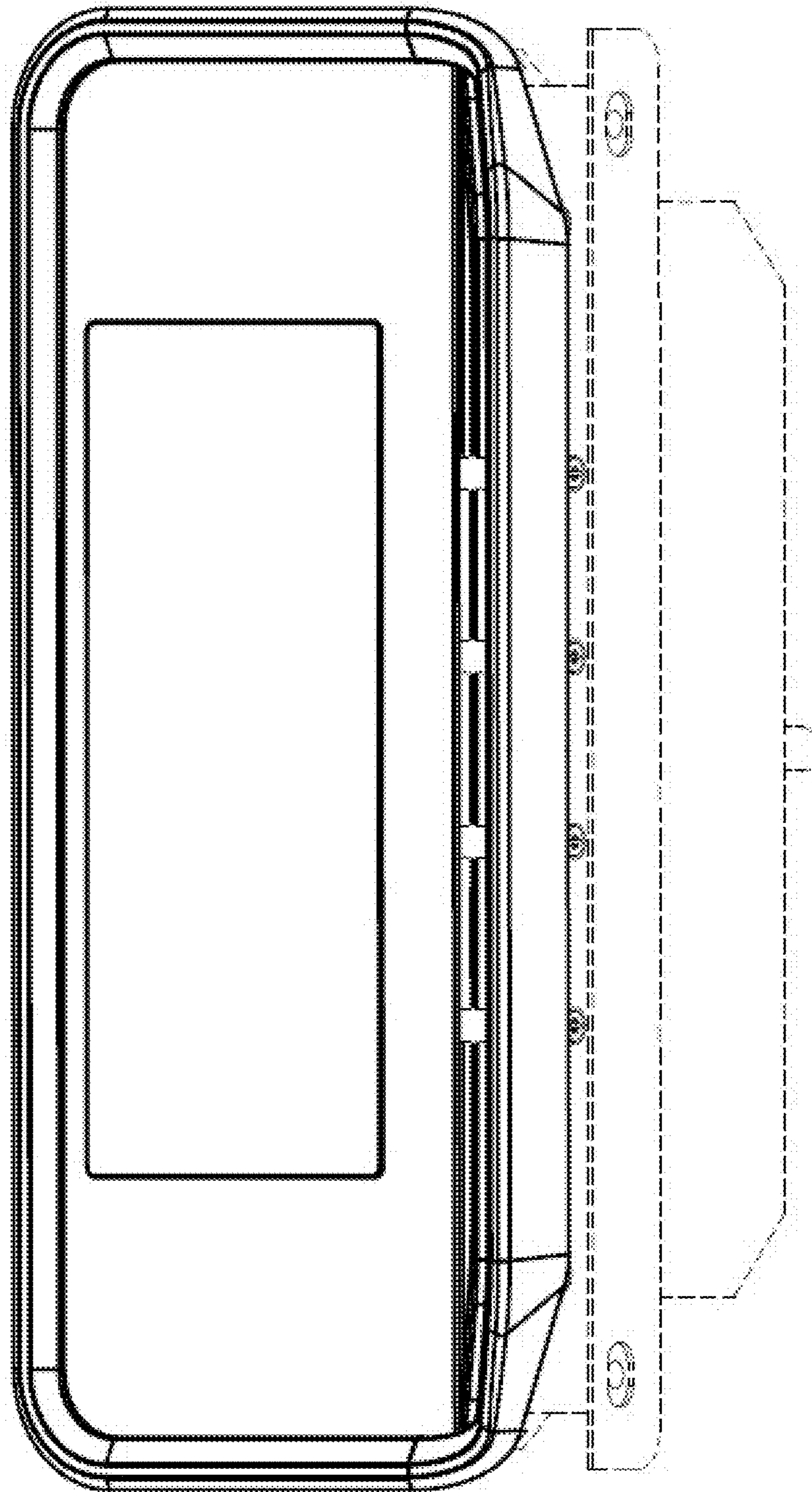


Fig. 3

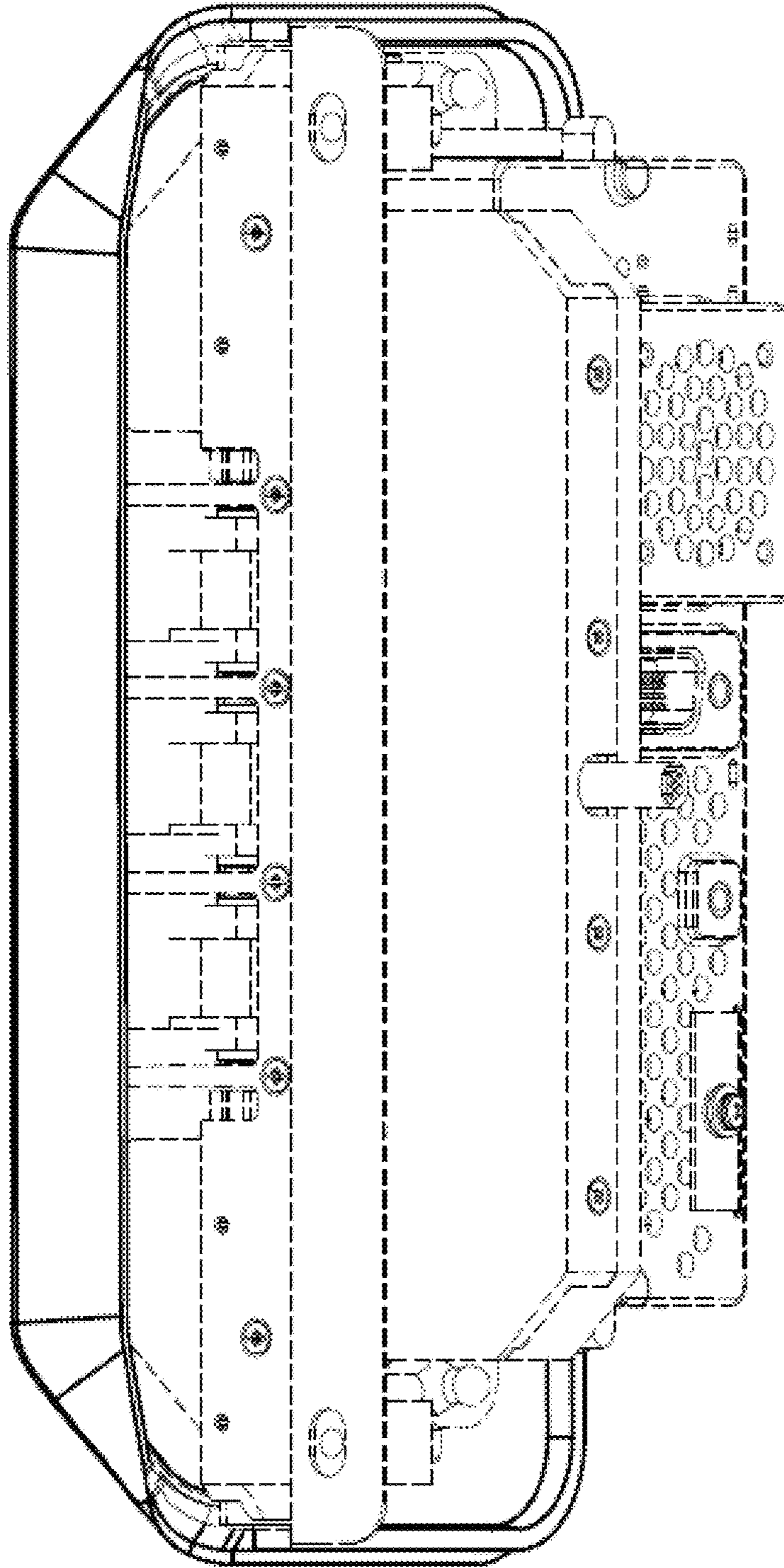


Fig. 4

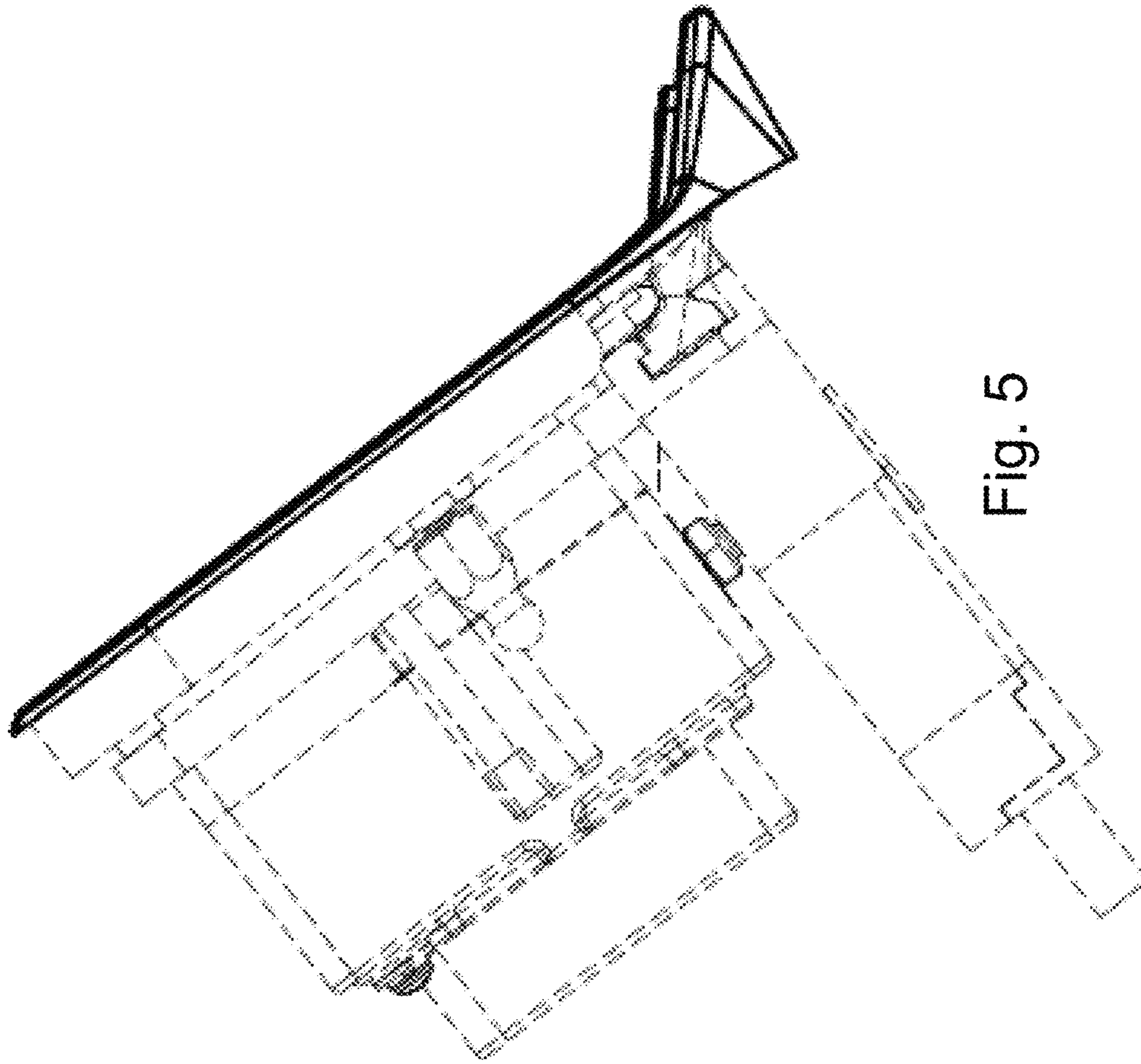


Fig. 5

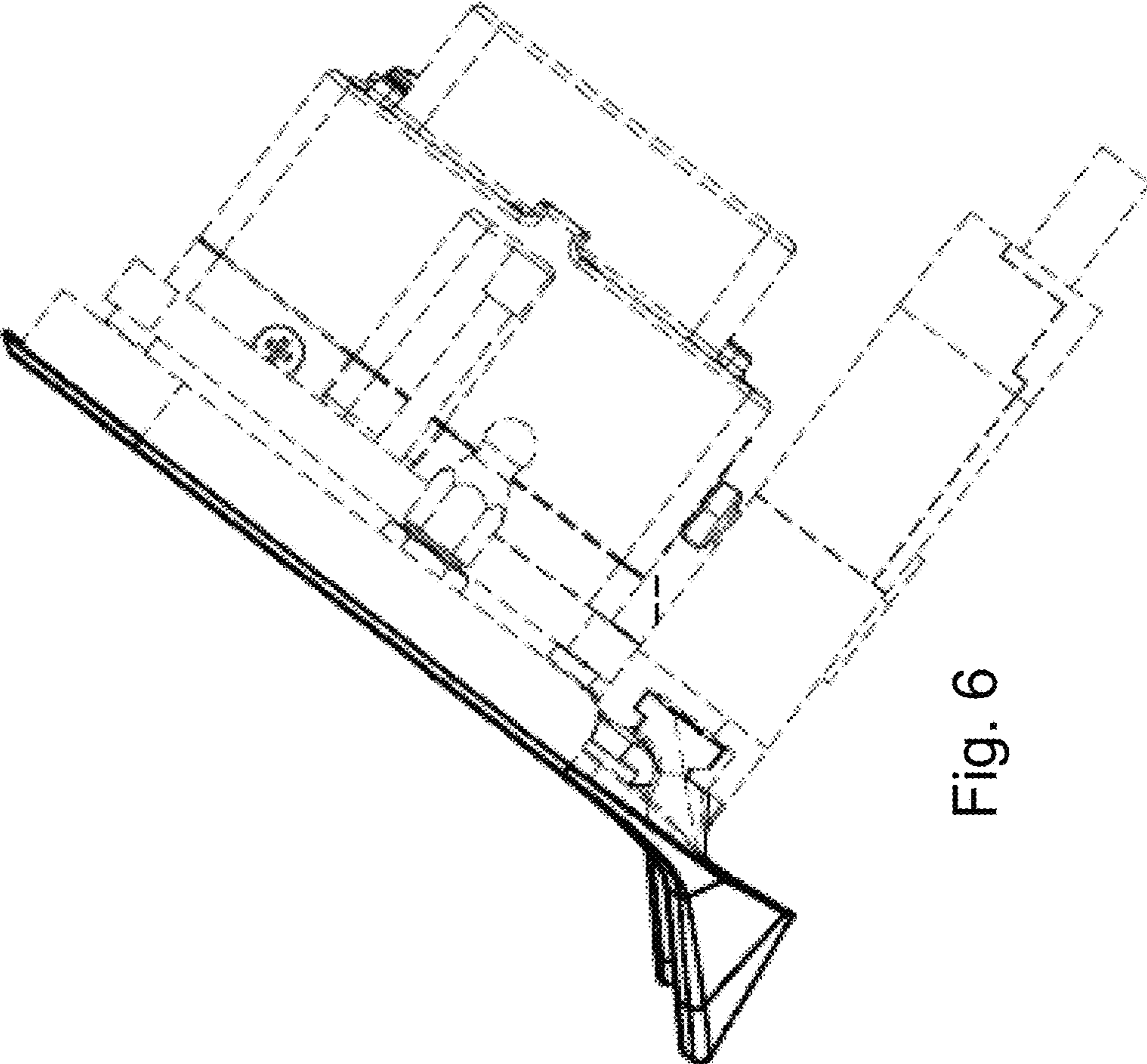


Fig. 6