



US00D851017S

(12) **United States Design Patent**
Messina et al.

(10) **Patent No.:** **US D851,017 S**
(45) **Date of Patent:** **** Jun. 11, 2019**

(54) **PAIR OF TRUCK FRAME FACEPLATES**

(71) Applicants: **Joseph Messina**, Yonkers, NY (US);
Evan LaCava, Bronxville, NY (US)

(72) Inventors: **Joseph Messina**, Yonkers, NY (US);
Evan LaCava, Bronxville, NY (US)

(**) Term: **15 Years**

(21) Appl. No.: **29/613,312**

(22) Filed: **Aug. 9, 2017**

(51) **LOC (11) Cl.** **12-16**

(52) **U.S. Cl.**
USPC **D12/400**

(58) **Field of Classification Search**

USPC D8/356, 382; D12/159, 162, 168, 169,
D12/172, 174, 182, 190, 215, 223, 400,
D12/406, 408, 412, 414, 415, 420, 426
CPC A47B 57/18; A47B 57/265; A47B 57/545;
A47B 57/565; A47B 81/005; A47B
96/1416; A47B 96/1466; A47B 96/1475;
A47B 96/1483; A47F 5/06; A61M
25/002; A61B 90/57; A63B 63/004;
B60N 2/5825; B60R 7/02; B60R 7/04;
B60R 7/043; B60R 7/08; B60R 7/14;
B60R 13/013; B60R 19/023; B60R 19/24;
B60R 19/56; B65D 11/1833; B65D
11/186; B65D 11/1873; B65D 13/00;
B65H 75/143; B65H 75/40; B62D
33/0273; B68G 7/12; E04D 13/1656;
F16B 21/071; F16B 21/073; F16B
5/0642; F16G 11/00; F16G 11/10; F16G
11/14; F16L 3/223; H02G 1/08; H02G
1/081; H02G 11/02; H02G 3/00; H04R
1/1033; H05K 7/1457

See application file for complete search history.

(56) **References Cited**

U.S. PATENT DOCUMENTS

4,869,693 A * 9/1989 Curtis F02B 61/045
123/195 P
D526,604 S * 8/2006 Kozak D12/162

D548,146 S * 8/2007 Schiavone D12/169
D663,387 S * 7/2012 Mjelde D23/261
D676,368 S * 2/2013 Cover D12/203
D678,145 S * 3/2013 Behmer D12/169
D688,993 S * 9/2013 Campbell D12/169
D697,855 S * 1/2014 Platto D12/203
D715,205 S * 10/2014 Conway D12/195
D721,623 S * 1/2015 Platto D12/169

(Continued)

OTHER PUBLICATIONS

788 04 Cover for Support Frame, image post date Jun. 24, 2012, site visited Jul. 16, 2018, (online), <<https://web.archive.org/web/20120624081116/https://uk.rs-online.com/web/p/faceplates-mounting-plates/0381952/>>.*

(Continued)

Primary Examiner — Kevin K Rudzinski

(74) *Attorney, Agent, or Firm* — Arent Fox LLP

(57) **CLAIM**

The ornamental design for a pair of truck frame faceplates, as shown and described.

DESCRIPTION

FIG. 1 is a front view of left and right truck frame faceplates showing our new design;

FIG. 2 is a front view of the left truck frame faceplate shown in FIG. 1;

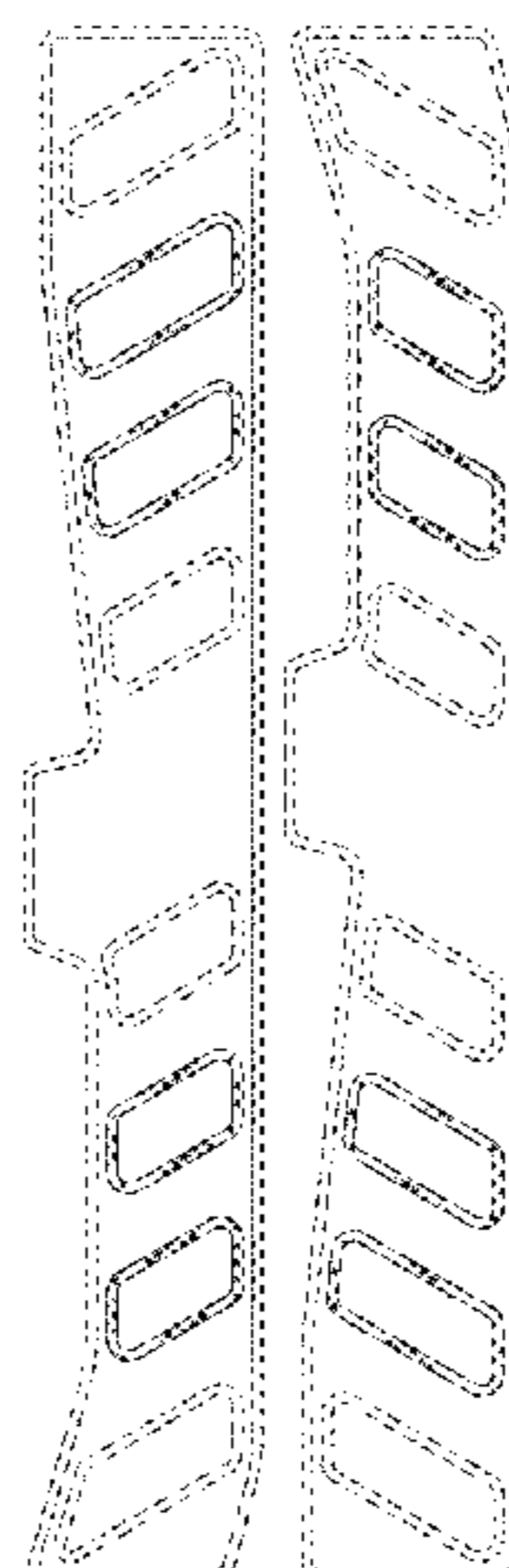
FIG. 3 is a perspective view of the left truck frame faceplate shown in FIG. 1;

FIG. 4 is a front view of the right truck frame faceplate shown in FIG. 1; and,

FIG. 5 is a perspective view of the right truck frame faceplate shown in FIG. 1.

The rear view of the pair of truck frame faceplates has been omitted as it forms no part of the claimed design. The broken lines in the drawings form no part of the claimed design.

1 Claim, 5 Drawing Sheets



(56)

References Cited

U.S. PATENT DOCUMENTS

D730,188 S * 5/2015 Masanek, Jr. D9/451
 D731,474 S * 6/2015 Leibenhaut D14/253
 D789,857 S * 6/2017 Hare D12/203
 D794,525 S * 8/2017 Chen D12/203
 D797,613 S * 9/2017 Bennett D12/159
 D800,622 S * 10/2017 Ito D12/203
 D805,986 S * 12/2017 Chi D12/203
 D807,804 S * 1/2018 Huang D12/203
 D811,974 S * 3/2018 Guo D12/203
 D813,750 S * 3/2018 Bucher D12/169
 D818,923 S * 5/2018 Baeza D12/203
 D818,924 S * 5/2018 Baeza D12/203
 D819,521 S * 6/2018 Platto D12/169
 D819,522 S * 6/2018 Platto D12/169
 D819,525 S * 6/2018 Behmer D12/169
 D820,179 S * 6/2018 Kladde D12/190
 D820,745 S * 6/2018 Woodhouse D12/169
 D821,940 S * 7/2018 Platto D12/169

2013/0111836 A1* 5/2013 Masanek, Jr. E04B 5/48
 52/302.1
 2013/0287996 A1* 10/2013 Masanek, Jr. B60N 3/044
 428/131
 2014/0192545 A1* 7/2014 Law B60Q 1/2607
 362/485
 2015/0086759 A1* 3/2015 Sumi B29C 49/20
 428/198
 2017/0253280 A1* 9/2017 Schneider B62D 33/023

OTHER PUBLICATIONS

Go Rhino 4 light RC2 LR, image post date Jul. 13, 2017, site visited Jul. 16, 2018, (online), <<https://web.archive.org/web/20170713045651/http://www.gorhino.com/SRM200-Rack>>.*
 Fairlead Mount, image post date 2009, site visited Jul. 16, 2018, (online), <<http://www.warriorproducts.com/catalog-new/universal-parts/license-plate-mounts/>>.*

* cited by examiner

FIG. 1

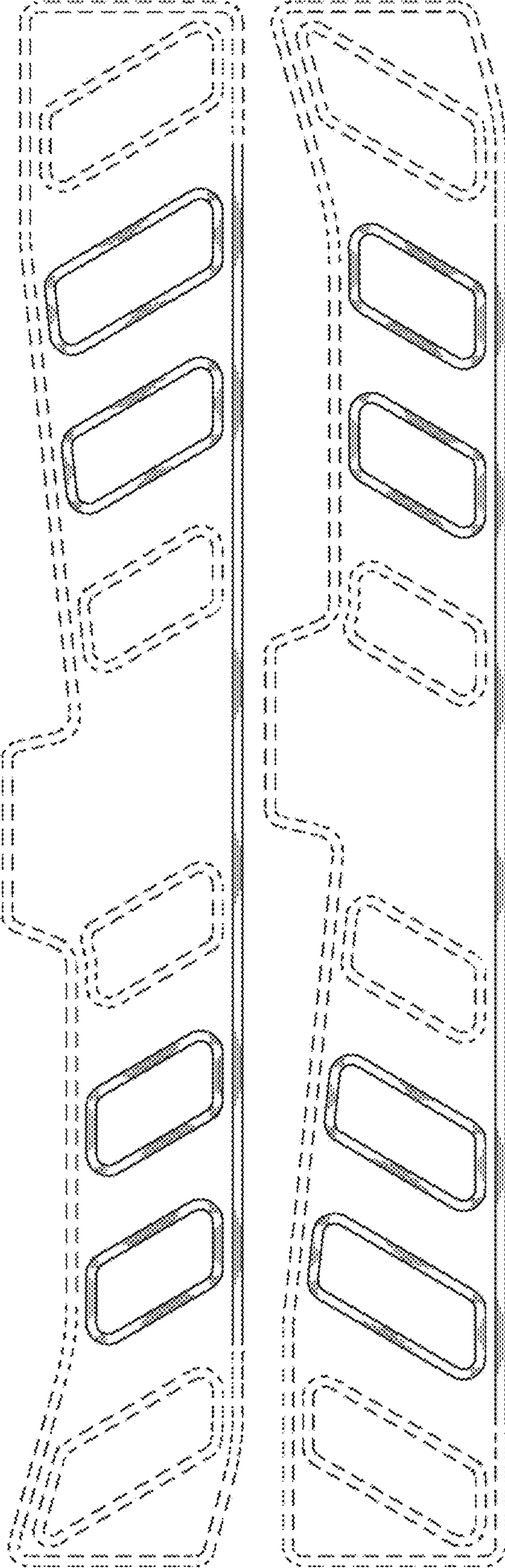


FIG. 2

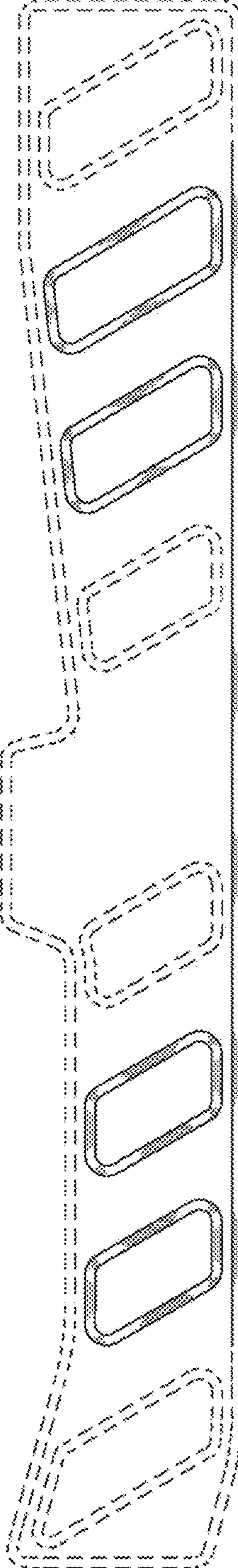


FIG. 3

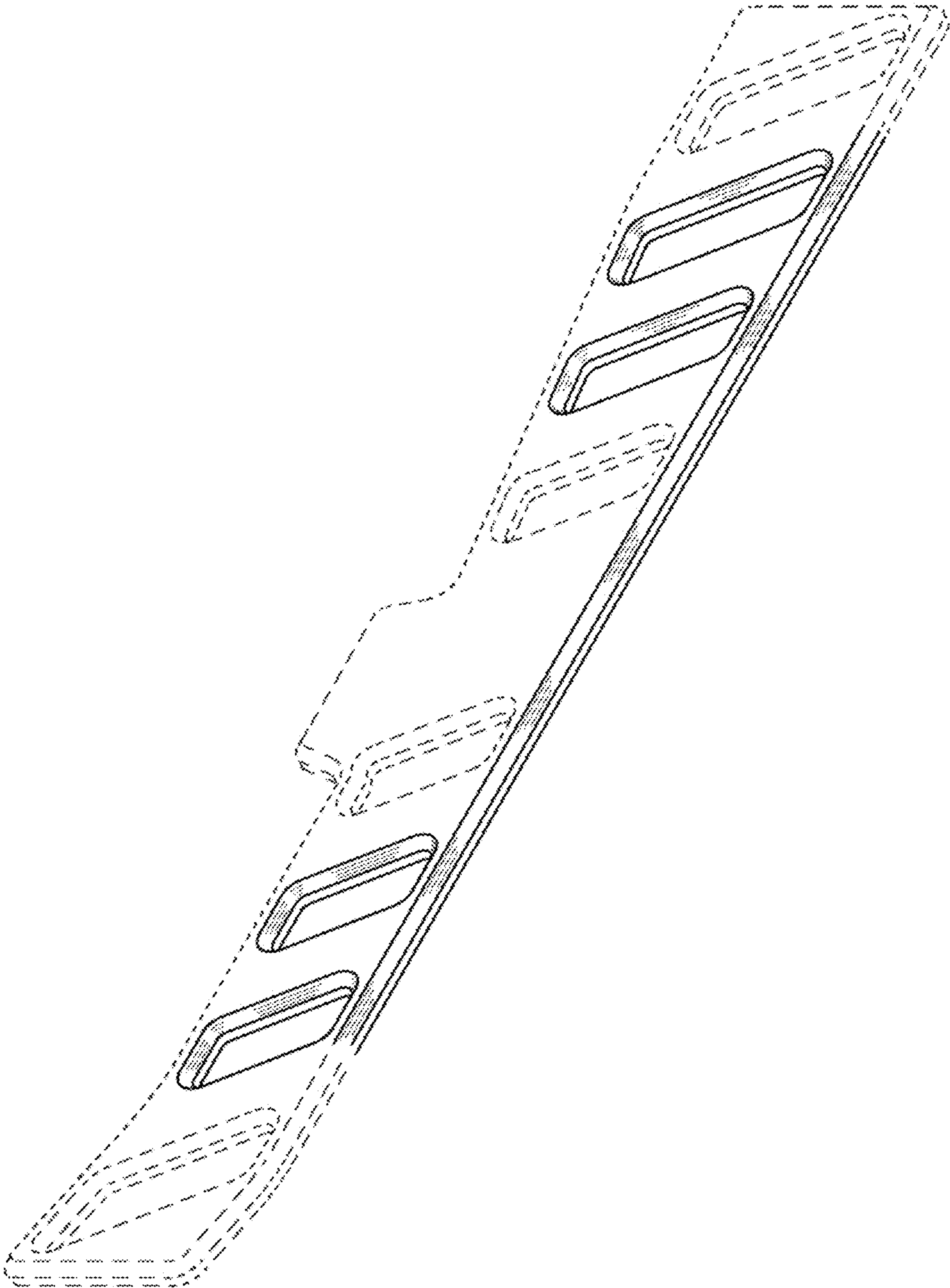


FIG. 4

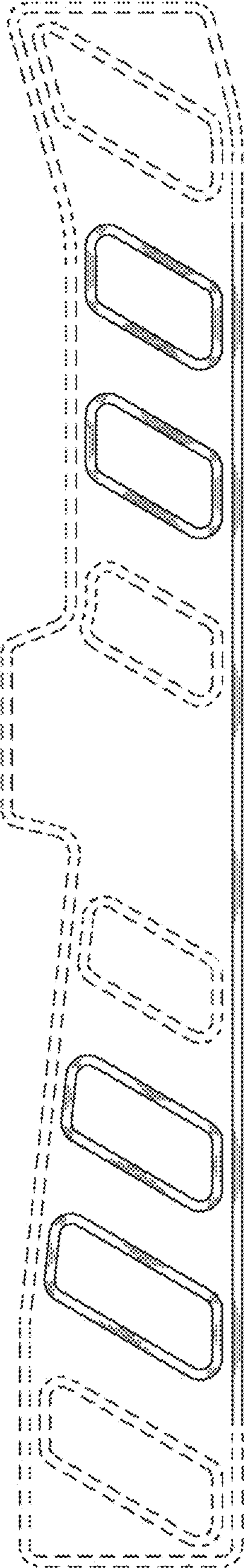


FIG. 5

