



US00D851016S

(12) **United States Design Patent**
Oakes

(10) **Patent No.:** **US D851,016 S**
(45) **Date of Patent:** **** Jun. 11, 2019**

- (54) **FORWARD ACCENT FOR A WINDSHIELD**
- (71) Applicant: **Taylor Made Group, LLC**,
Gloversville, NY (US)
- (72) Inventor: **Philip A. Oakes**, Middle Grove, NY
(US)
- (73) Assignee: **TAYLOR MADE GROUP, LLC**,
Gloversville, NY (US)
- (**) Term: **15 Years**
- (21) Appl. No.: **29/644,336**
- (22) Filed: **Apr. 17, 2018**
- (51) **LOC (11) Cl.** **12-06**
- (52) **U.S. Cl.**
USPC **D12/317**
- (58) **Field of Classification Search**
USPC D12/182, 300, 310-315, 317, 318
CPC B63B 19/02; B60J 1/06
See application file for complete search history.

- D467,860 S 12/2002 Aube et al.
- 6,647,914 B1 * 11/2003 Gerhardinger B63B 19/02
114/361
- D510,902 S * 10/2005 Erskine D12/317
- D555,070 S 11/2007 Bach
- D558,660 S 1/2008 Malcore et al.
- D569,782 S 5/2008 Bach
- D571,277 S 6/2008 Bach
- D571,706 S 6/2008 Bach
- D583,285 S 12/2008 Lapointe et al.
- D593,024 S 5/2009 Bach
- D598,837 S 8/2009 Wanglund
- D701,820 S 4/2014 Pierce et al.
- D723,438 S 3/2015 Ross et al.
- D775,028 S 12/2016 Bach
- D785,504 S 5/2017 Higgs
- 9,688,363 B1 * 6/2017 Marshall B63B 29/02
- 10,124,861 B2 * 11/2018 Dube B63B 19/02
- D838,654 S * 1/2019 Daniels D12/317

(Continued)

Primary Examiner — Cynthia M. Chin
(74) *Attorney, Agent, or Firm* — Nixon & Vanderhye P.C.

(57) **CLAIM**

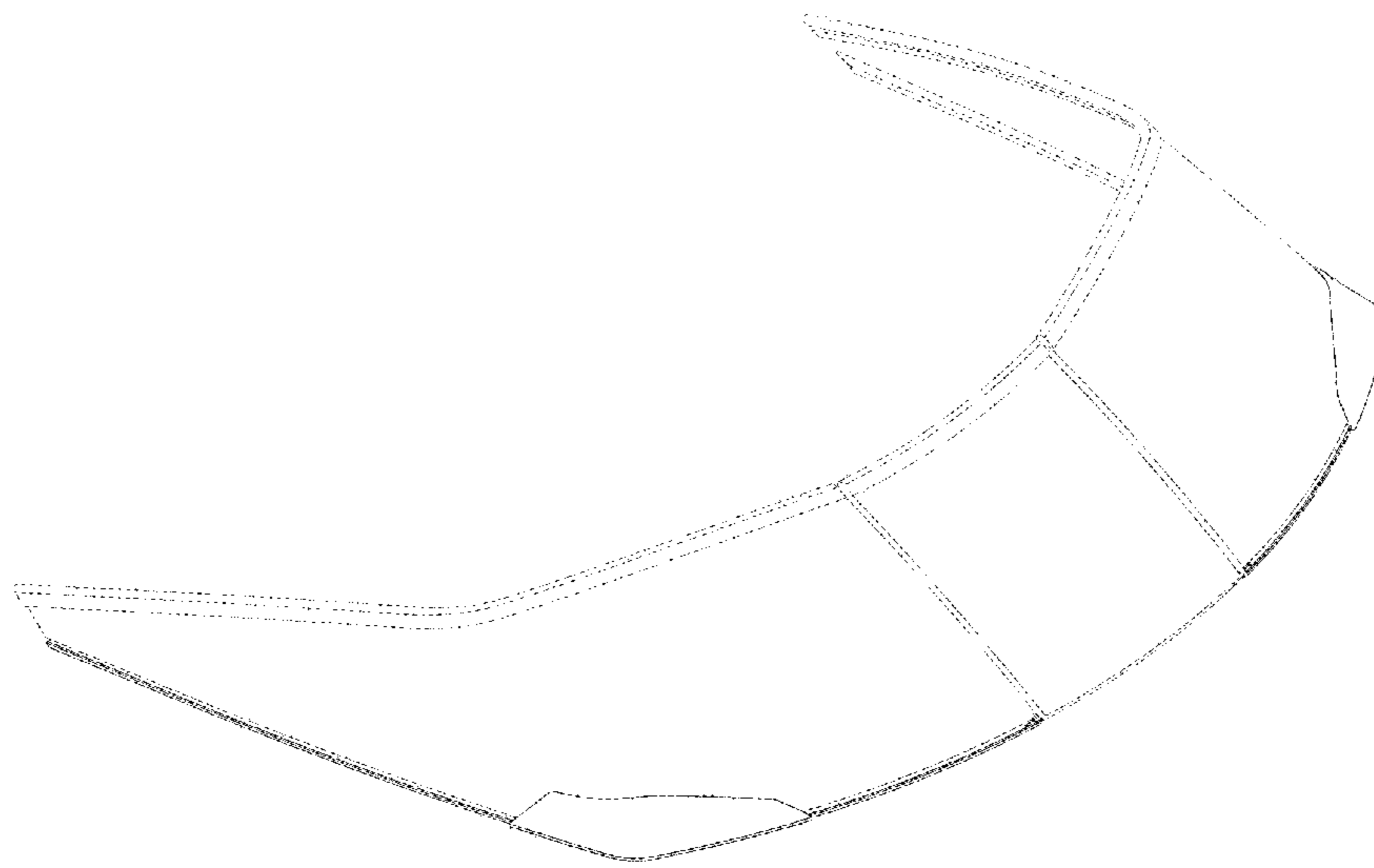
The ornamental design for a forward accent for a windshield, as shown and described.

DESCRIPTION

FIG. 1 is a front perspective view of a forward accent for a windshield according to the invention;
FIG. 2 is a front view thereof;
FIG. 3 is a rear view thereof;
FIG. 4 is a top plan view thereof;
FIG. 5 is a bottom view thereof;
FIG. 6 is a side view thereof;
FIG. 7 is a is an opposite side view thereof; and,
FIG. 8 is a rear perspective view thereof.
The broken lines represent the environment in which the article resides and forms no part of the claimed design.

1 Claim, 7 Drawing Sheets

- (56) **References Cited**
U.S. PATENT DOCUMENTS
- 3,810,267 A * 5/1974 Fussell, Jr. B63B 19/02
114/361
- D328,240 S 7/1992 Polski
- D331,560 S * 12/1992 Ivey D12/181
- 5,203,277 A * 4/1993 Norman B63B 19/02
114/361
- 5,309,860 A * 5/1994 Shearer E05D 5/10
114/361
- D348,040 S 6/1994 Shearer et al.
- D363,264 S 10/1995 Mullin
- 5,601,050 A * 2/1997 Erskine B63B 29/02
114/361
- 5,784,982 A * 7/1998 Erskine B60J 1/06
114/361
- D410,890 S 6/1999 Consaul



(56)

References Cited

U.S. PATENT DOCUMENTS

2002/0184842 A1* 12/2002 Norman B60J 1/02
52/204.53
2018/0072386 A1* 3/2018 Dube B63B 19/02

* cited by examiner

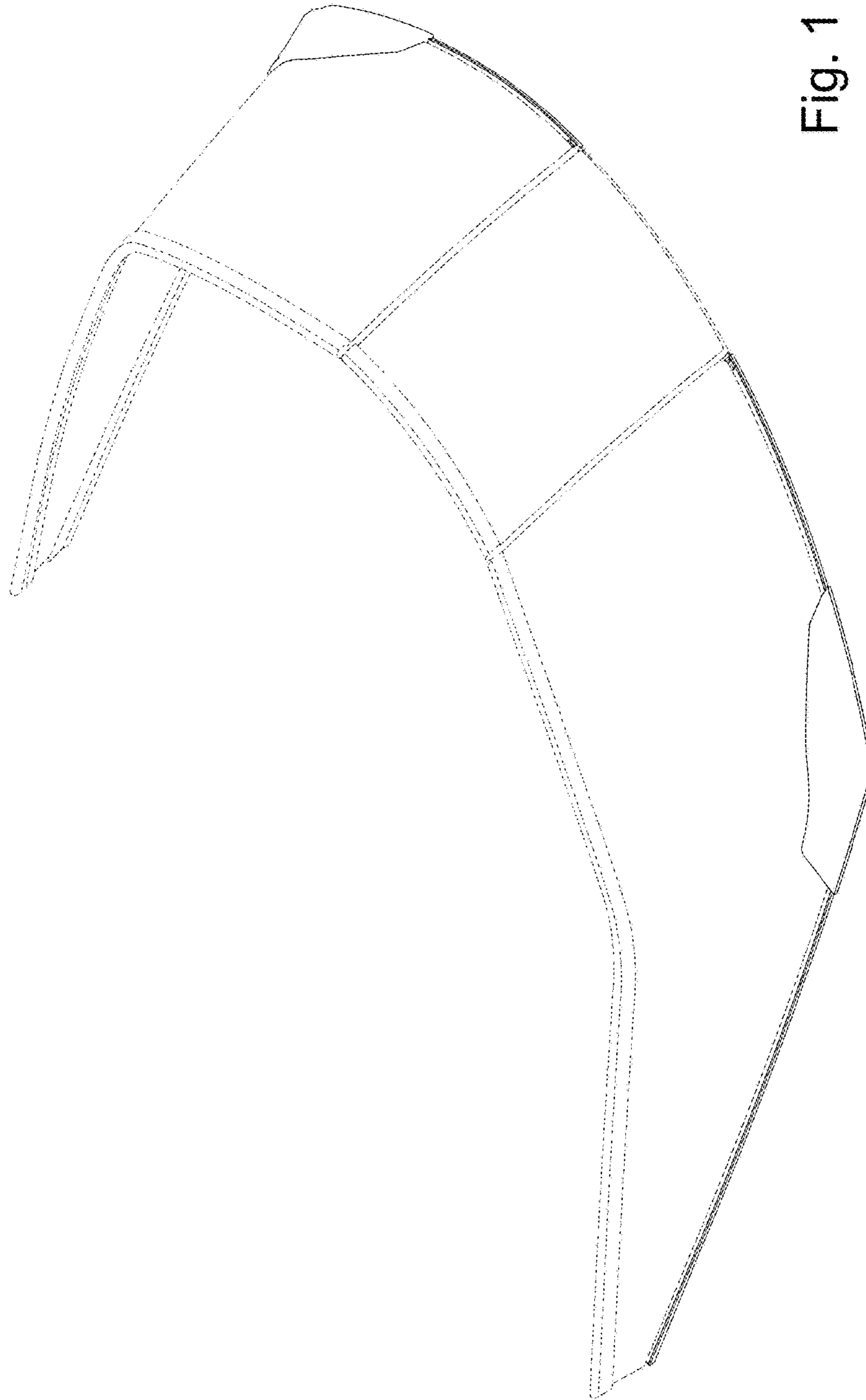


Fig. 1

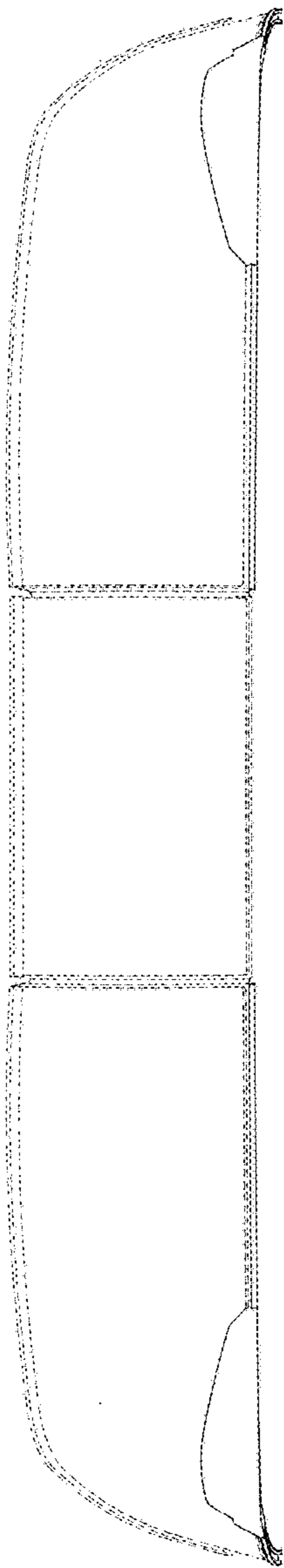


Fig. 2

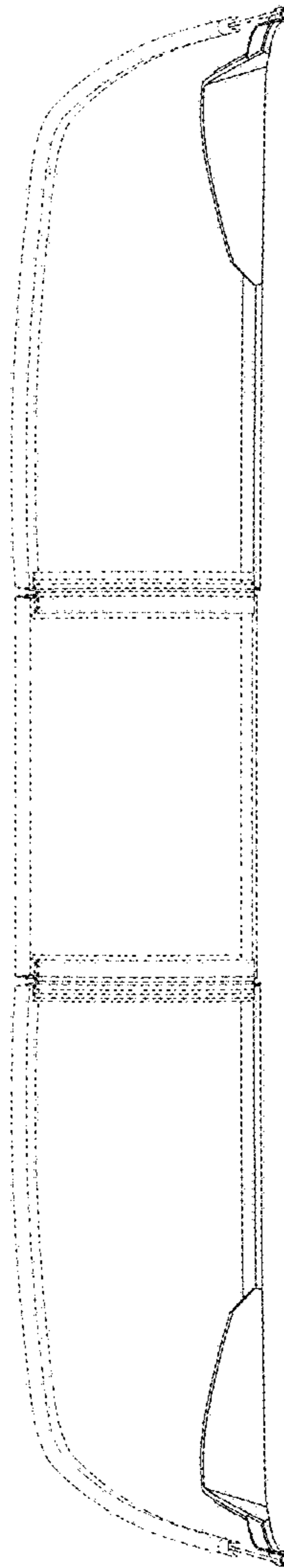


Fig. 3

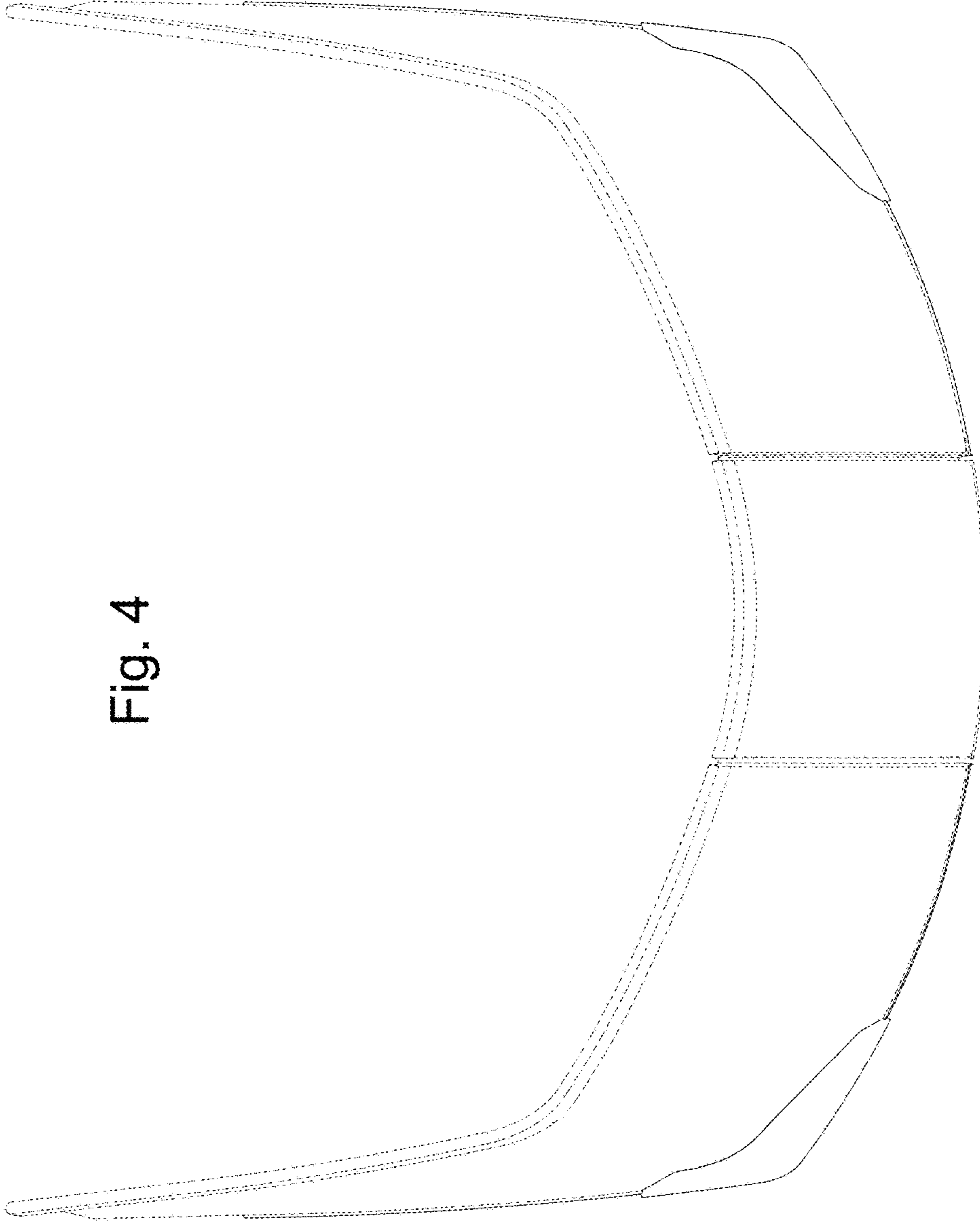


Fig. 4

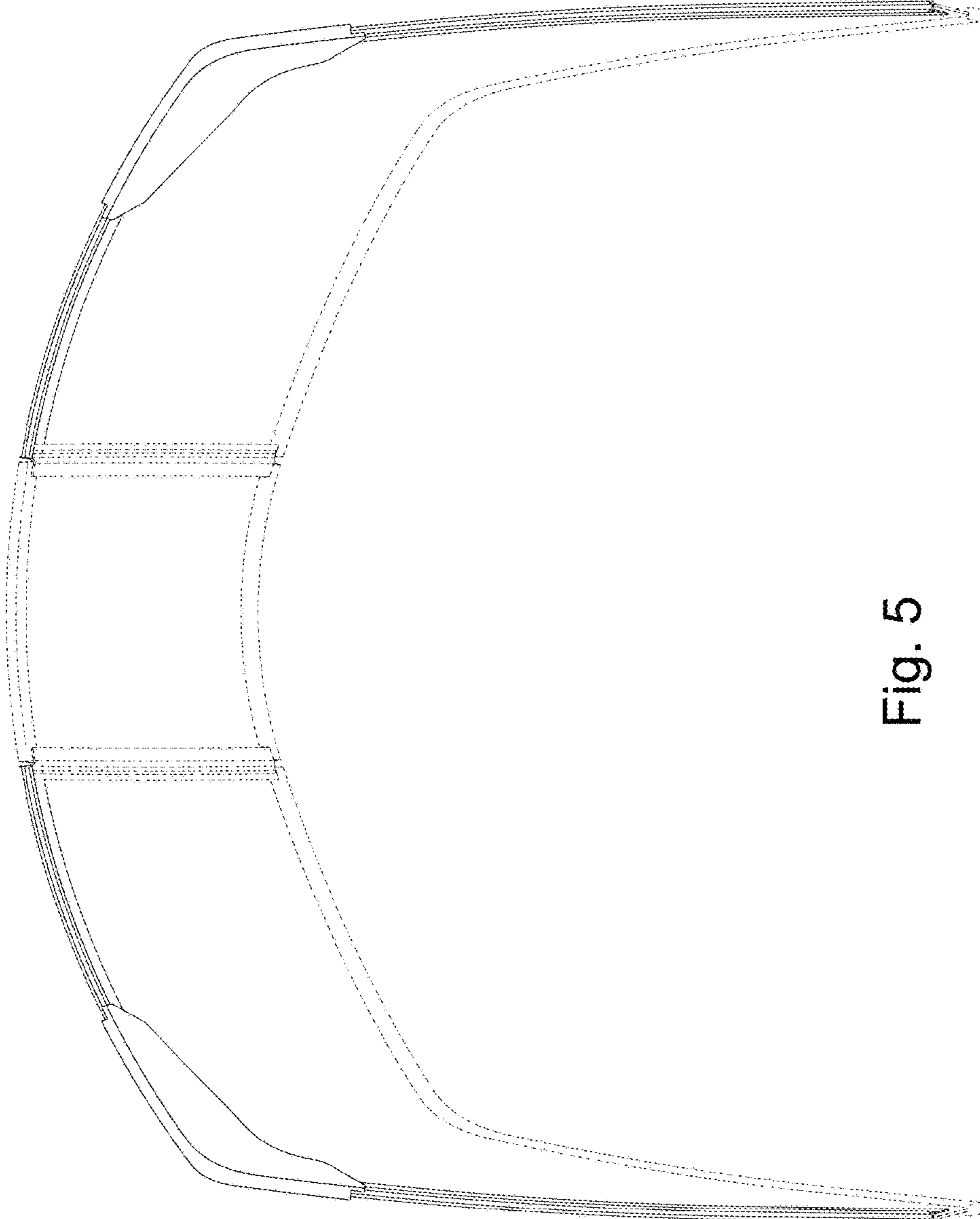


Fig. 5

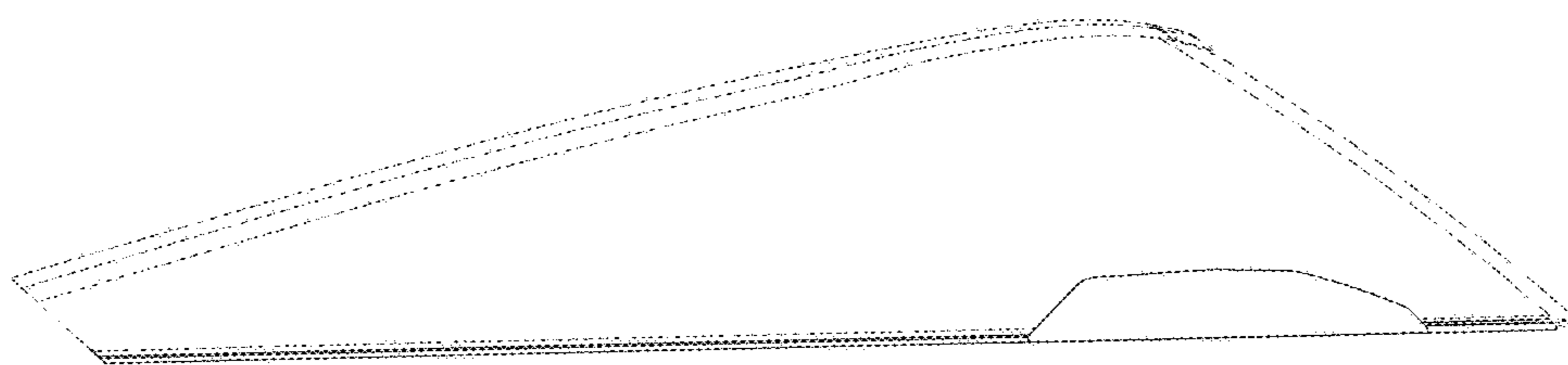


Fig. 6

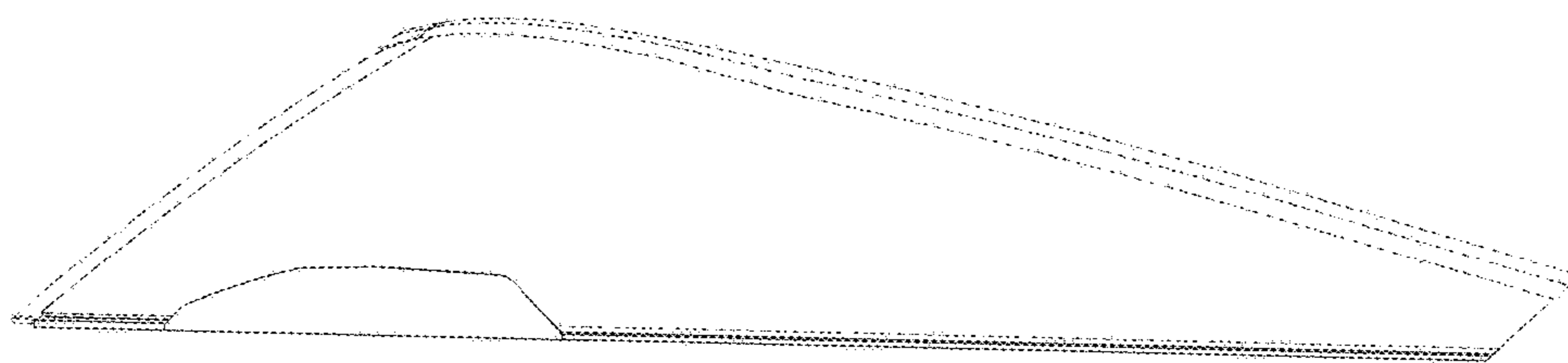


Fig. 7

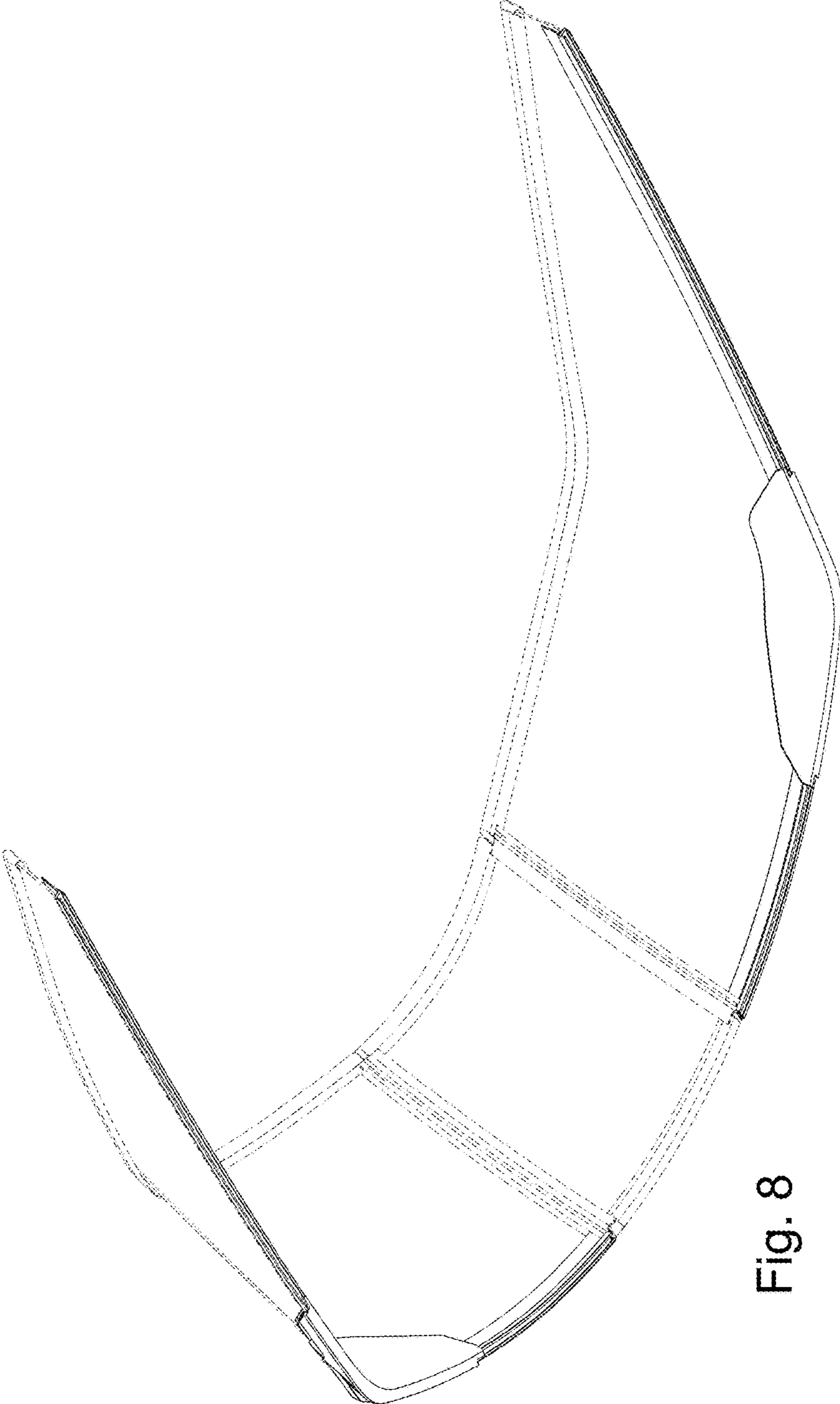


Fig. 8