



US00D851015S

(12) **United States Design Patent**  
**Kraemer**

(10) **Patent No.:** **US D851,015 S**

(45) **Date of Patent:** **\*\* Jun. 11, 2019**

(54) **WIPER BLADE**

D784,242 S \* 4/2017 Lee ..... D12/220  
D784,243 S \* 4/2017 Lee ..... D12/220  
D809,989 S \* 2/2018 Lee ..... D12/220

(71) Applicant: **Robert Bosch GmbH**, Stuttgart (DE)

\* cited by examiner

(72) Inventor: **Godelieve Kraemer**, Huegelsheim (DE)

*Primary Examiner* — Katrina A Betton

(73) Assignee: **Robert Bosch GmbH**, Stuttgart (DE)

(74) *Attorney, Agent, or Firm* — Maginot, Moore & Beck LLP

(\*\*) Term: **15 Years**

(57) **CLAIM**

(21) Appl. No.: **29/609,870**

The ornamental design for a wiper blade, as shown and described.

(22) Filed: **Jul. 6, 2017**

**DESCRIPTION**

(30) **Foreign Application Priority Data**

Jan. 30, 2017 (EM) ..... 003729110

Cross reference is made to copending U.S. design patent application Ser. No. 29/609,873 entitled “Wiper Blade” by Godelieve Kraemer, which was filed on even date herewith; and U.S. design patent application Ser. No. 29/609,875 entitled “Wiper Blade” by Godelieve Kraemer, which was filed on even date herewith.

(51) **LOC (11) Cl.** ..... **12-16**

(52) **U.S. Cl.**  
USPC ..... **D12/219**

FIG. 1 is a perspective view of a wiper blade showing my new design;

(58) **Field of Classification Search**  
USPC ..... D12/219–220  
CPC ..... B60S 1/4003

See application file for complete search history.

FIG. 2 is a right side elevational view of the wiper blade of FIG. 1;

(56) **References Cited**

**U.S. PATENT DOCUMENTS**

D725,021 S \* 3/2015 Poton ..... D12/220  
D725,022 S \* 3/2015 Poton ..... D12/220  
D725,023 S \* 3/2015 Poton ..... D12/220  
D725,024 S \* 3/2015 Poton ..... D12/220  
D725,025 S \* 3/2015 Poton ..... D12/220  
D725,026 S \* 3/2015 Poton ..... D12/220  
D727,238 S \* 4/2015 Lepper ..... D12/220

FIG. 3 is a left side elevational view of the wiper blade of FIG. 1;

FIG. 4 is a bottom plan view of the wiper blade of FIG. 1;

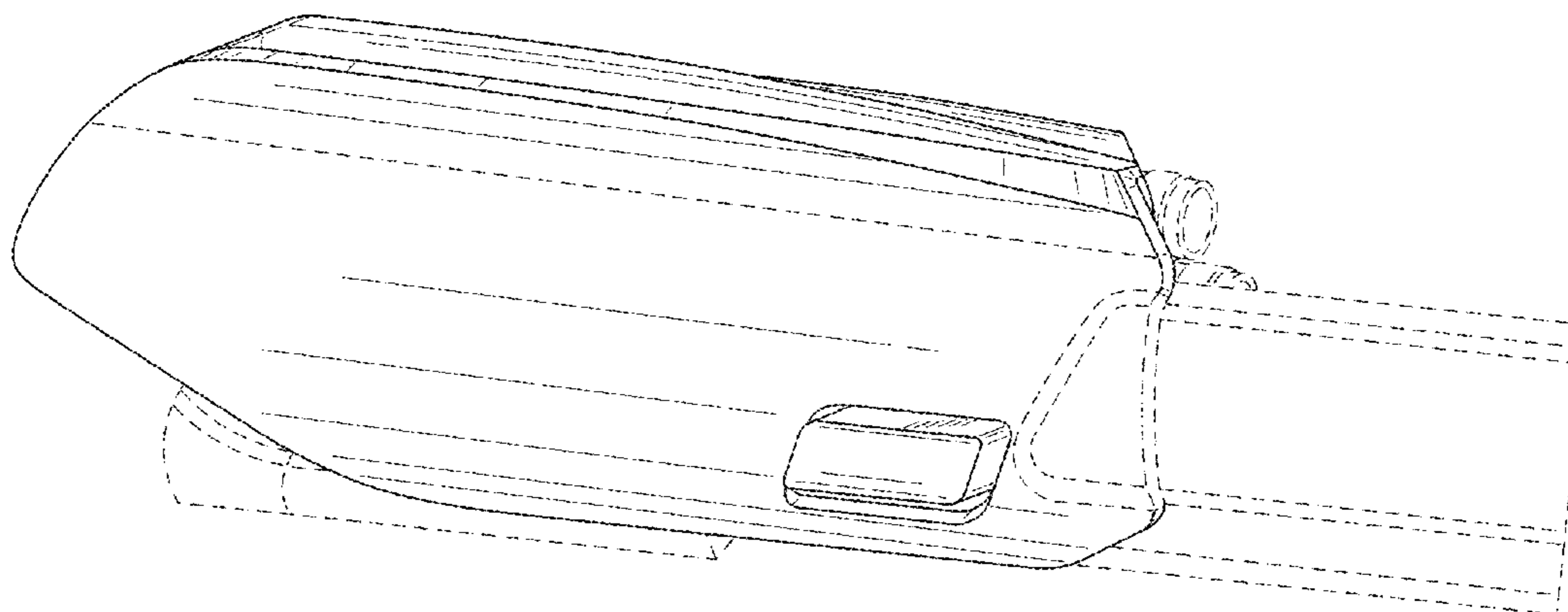
FIG. 5 is a top plan view of the wiper blade of FIG. 1;

FIG. 6 is a front elevational view of the wiper blade of FIG. 1; and,

FIG. 7 is a rear elevational view of the wiper blade of FIG. 1.

The broken lines shown in the drawings illustrate portions of the wiper blade that form no part of the claimed design.

**1 Claim, 7 Drawing Sheets**



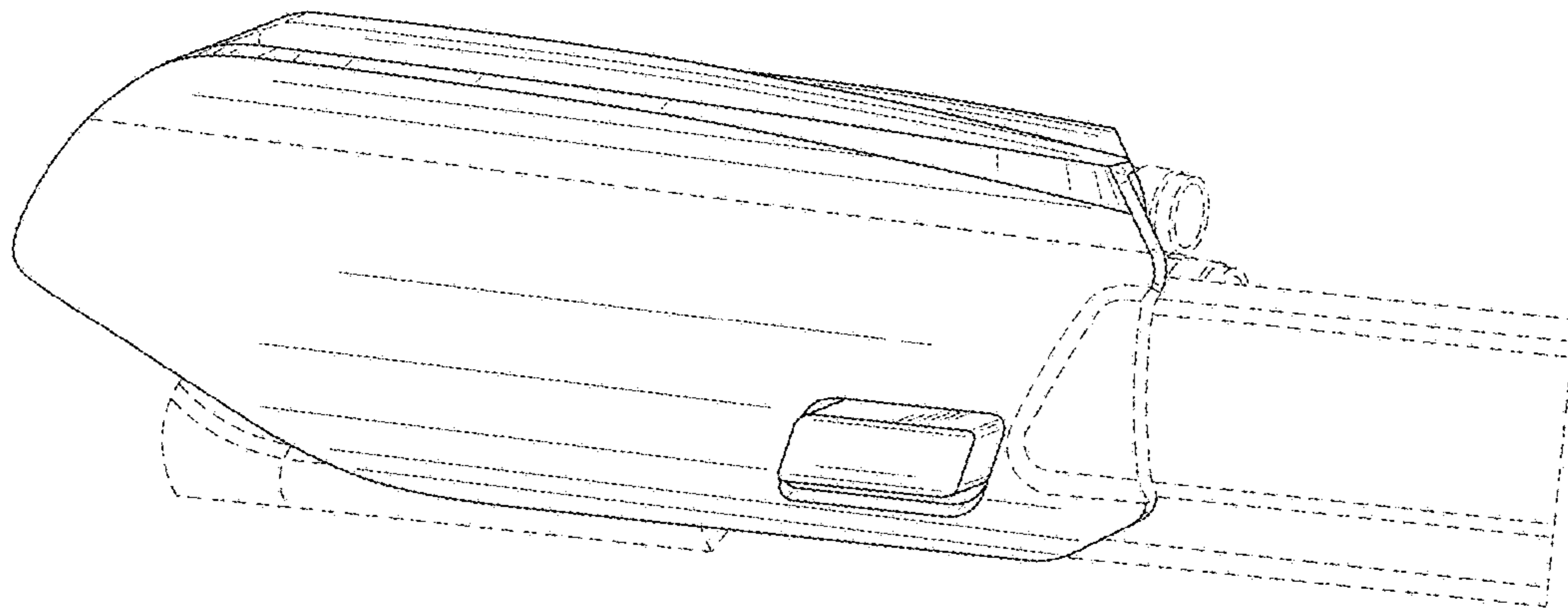


FIG. 1

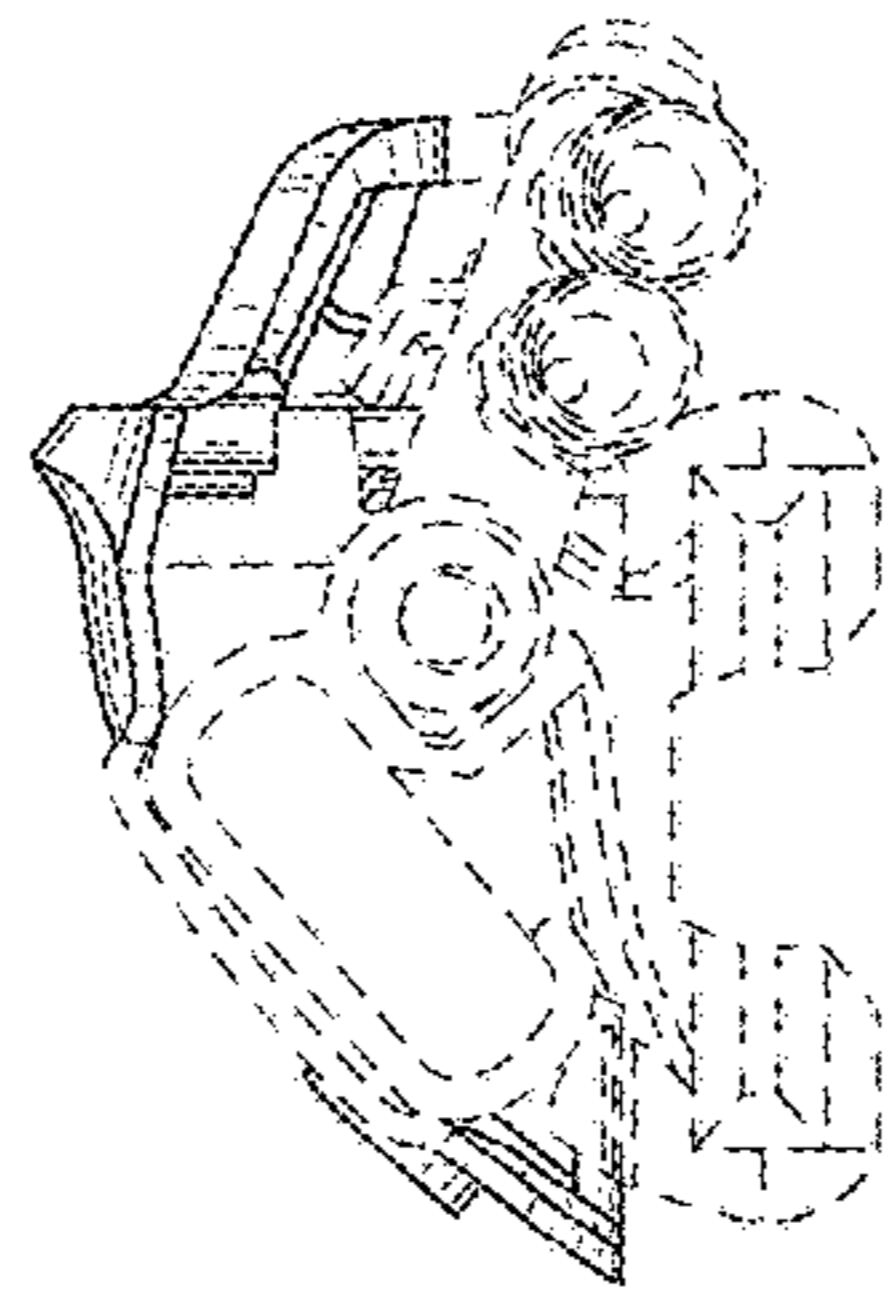


FIG. 2

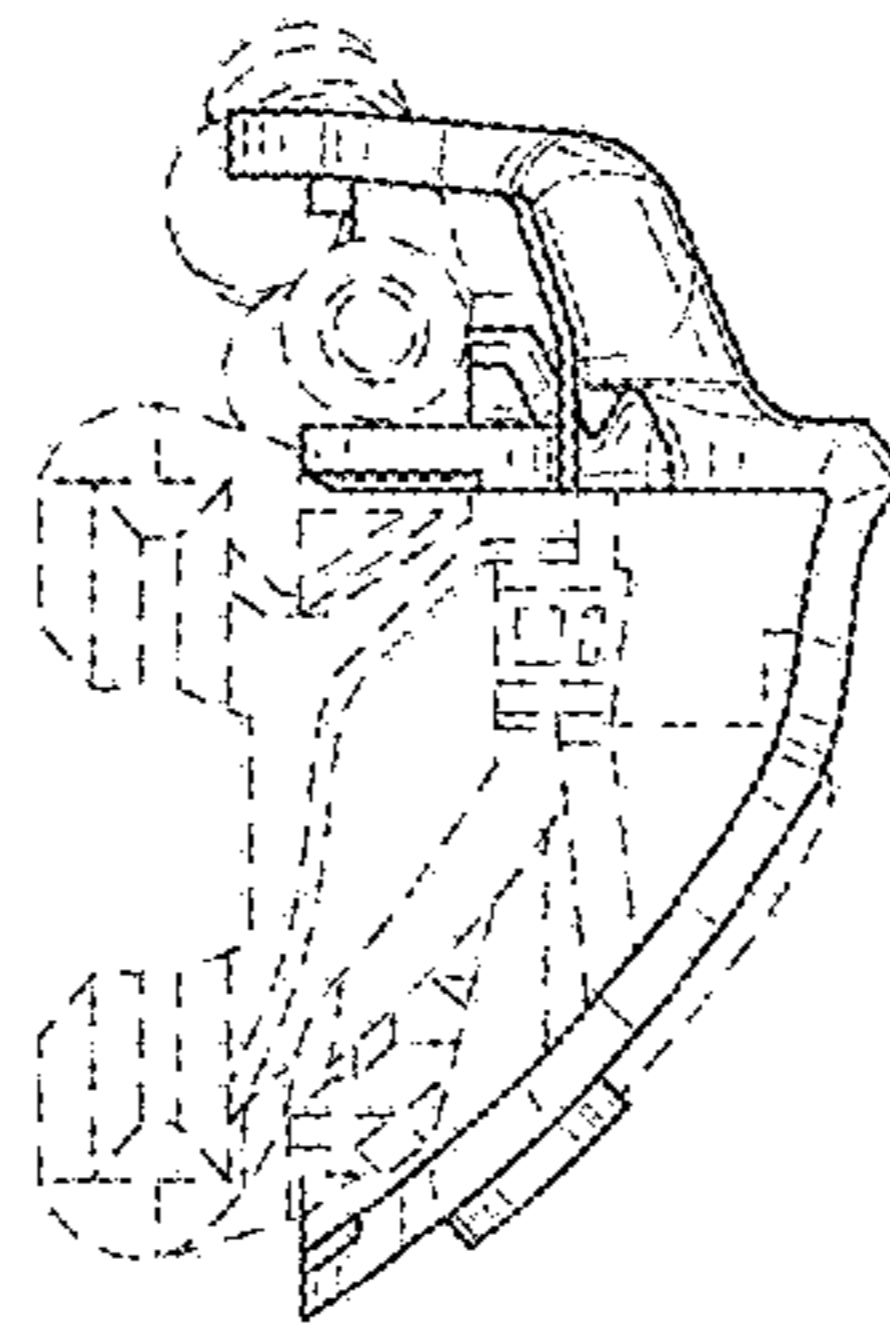


FIG. 3

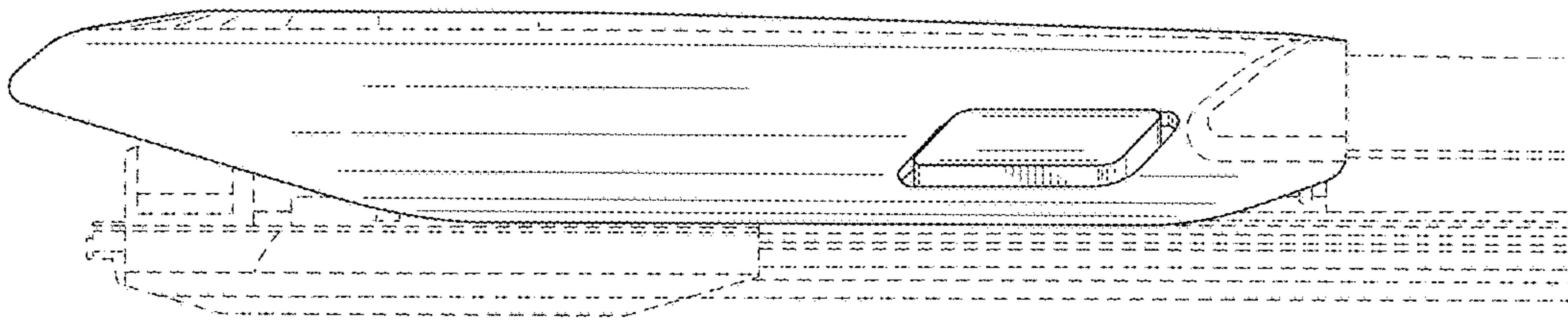


FIG. 4

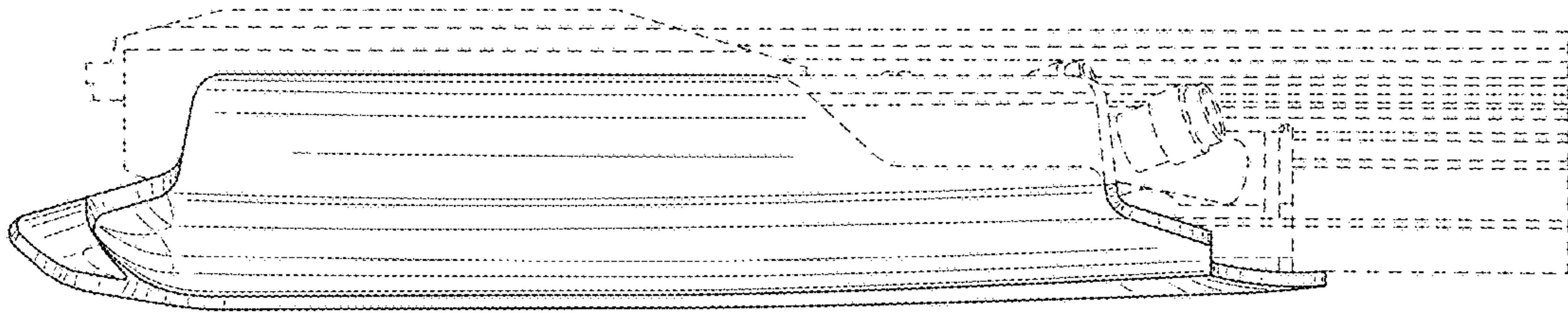


FIG. 5

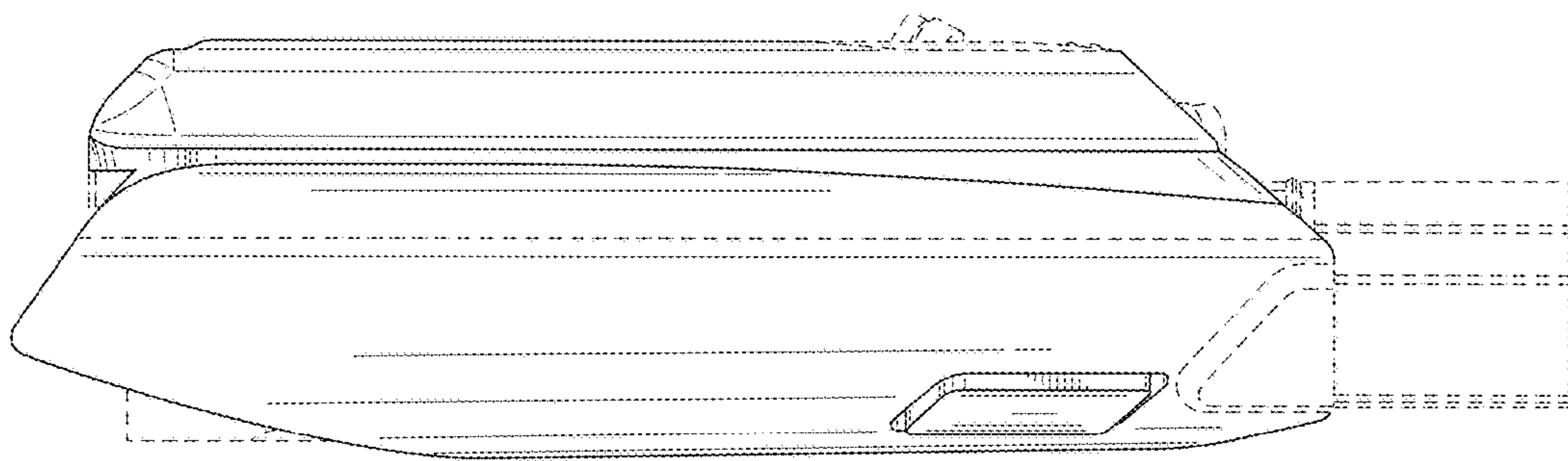


FIG. 6

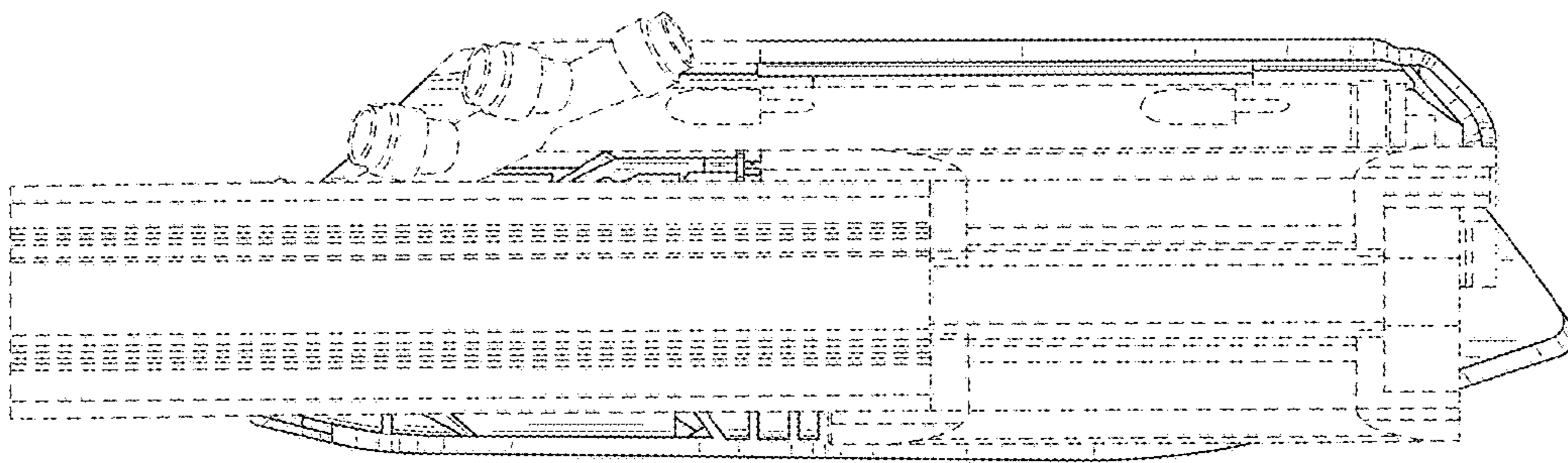


FIG. 7