



US00D851014S

(12) **United States Design Patent**
Wheel

(10) **Patent No.:** **US D851,014 S**
(45) **Date of Patent:** **** Jun. 11, 2019**

(54) **WHEEL**

(71) Applicant: **Jaguar Land Rover Limited**, Whitley, Coventry (GB)

(72) Inventor: **Andrew Wheel**, Coventry (GB)

(73) Assignee: **Jaguar Land Rover Limited**, Whitley, Coventry (GB)

(**) Term: **15 Years**

(21) Appl. No.: **29/662,344**

(22) Filed: **Sep. 5, 2018**

Related U.S. Application Data

(62) Division of application No. 29/603,202, filed on May 8, 2017, now Pat. No. Des. 830,936.

(30) **Foreign Application Priority Data**

Nov. 11, 2016 (EM) 003459288-0004
Nov. 11, 2016 (EM) 003459288-0005

(51) **LOC (11) Cl.** **12-16**

(52) **U.S. Cl.**
USPC **D12/209**

(58) **Field of Classification Search**
USPC D12/400, 204–213, 217, 501; D9/452, D9/538, 541, 546, 559, 669; D7/506, D7/539, 540, 556, 563, 567, 615, 675, D7/677; D21/763, 771, 779, 495, 561, D21/563

(Continued)

(56) **References Cited**

U.S. PATENT DOCUMENTS

D586,283 S * 2/2009 Chung D12/209
D593,018 S * 5/2009 Juergens D12/209

(Continued)

OTHER PUBLICATIONS

Wheels. (Design—© Questel) orbit.com.[online PDF] 65 pgs. Publish Dates range from May 7, 2014 to Mar. 5, 2018. [Retrieved on Apr. 11, 2018] <https://subjprd.questel.fr/export/QPTUJ214/pdf2/f9d2d2d9-323d-4117-b7c2-43bbb64bb8ab-190629.pdf>.*

Primary Examiner — Marie D. Fast Horse

(74) *Attorney, Agent, or Firm* — Wood Herron & Evans LLP

(57) **CLAIM**

The ornamental design for a wheel, as shown and described.

DESCRIPTION

FIG. 1 is a front left perspective view of a wheel for a vehicle according to the present invention.

FIG. 2 is a front right perspective view of the wheel shown in FIG. 1.

FIG. 3 is a front view thereof.

FIG. 4 is a left side view thereof, the right side view being a mirror image thereof.

FIG. 5 is a rear view thereof.

FIG. 6 is a rear right perspective view thereof.

FIG. 7 is a rear left perspective view thereof.

FIG. 8 is a front left perspective view of a wheel for a vehicle according to an alternative embodiment of the present invention.

FIG. 9 is a front right perspective view of the wheel shown in FIG. 8.

FIG. 10 is a front view thereof.

FIG. 11 is a left side view thereof, the right side view being a mirror image thereof.

FIG. 12 is a rear view thereof.

FIG. 13 is a rear right perspective view thereof; and,

FIG. 14 is a rear left perspective view thereof.

The broken line showing of the valve hole portion of the wheel forms no part of the claimed design.

1 Claim, 10 Drawing Sheets



- (58) **Field of Classification Search**
 CPC B60B 7/00; B60B 7/02; B60B 7/04; B60B
 7/01; B60B 7/06; B60B 3/02; B60B 3/04;
 B60B 3/06; B60B 3/10; B60B 1/00;
 B60B 1/08; B60B 1/10; B60B 1/12
 See application file for complete search history.

(56) **References Cited**

U.S. PATENT DOCUMENTS

D594,800 S * 6/2009 Blasi D12/209
 D621,770 S * 8/2010 Pollmann D12/209
 D649,503 S * 11/2011 Platto D12/209
 D669,833 S * 10/2012 Pollmann D12/209
 D671,475 S * 11/2012 Juergens D12/209
 D674,330 S * 1/2013 Kito D12/209
 D685,709 S * 7/2013 Hanaoka D12/209
 D688,185 S * 8/2013 Baum D12/209
 D692,364 S * 10/2013 Barnes D12/209
 D695,184 S * 12/2013 Pollmann D12/209
 D695,669 S * 12/2013 Pollmann D12/209
 D697,009 S * 1/2014 Pollmann D12/209
 D697,467 S * 1/2014 Pollmann D12/209
 D705,714 S * 5/2014 Hanaoka D12/209
 D706,694 S * 6/2014 Wheel D12/209
 D709,427 S * 7/2014 Clottu D12/209
 D710,286 S * 8/2014 Yamaguchi D12/209
 D715,209 S * 10/2014 Tovey D12/209
 D720,272 S * 12/2014 Rueckheim D12/209
 D734,234 S * 7/2015 Juergens D12/209
 D738,805 S * 9/2015 Rueckheim D12/209
 D740,194 S * 10/2015 Valencia Pollex D12/209

D752,499 S * 3/2016 Sze D12/211
 D753,045 S * 4/2016 Kawaguchi D12/209
 D755,692 S * 5/2016 Nakahara D12/209
 D759,566 S * 6/2016 Valencia Pollex D12/211
 D763,158 S * 8/2016 Hara D12/209
 D763,159 S * 8/2016 Valencia Pollex D12/209
 D766,153 S * 9/2016 Wheel D12/209
 D768,553 S * 10/2016 Ishii D12/209
 D774,434 S * 12/2016 Nakahara D12/209
 D778,798 S * 2/2017 Park D12/209
 D780,083 S * 2/2017 Wheel D12/209
 D782,953 S * 4/2017 Imazato D12/209
 D788,003 S * 5/2017 Conforzi D12/209
 D788,674 S * 6/2017 Mielke D12/209
 D788,675 S * 6/2017 Kippes D12/209
 D790,426 S * 6/2017 Valencia Pollex D12/209
 D791,039 S * 7/2017 Rueckheim D12/209
 D791,046 S * 7/2017 Ishii D12/209
 D792,306 S * 7/2017 Ishigaki D12/209
 D792,828 S * 7/2017 Groth D12/209
 D797,024 S * 9/2017 Ariga D12/209
 D797,025 S * 9/2017 Khachatryan D12/209
 D797,635 S * 9/2017 Rueckheim D12/209
 D803,131 S * 11/2017 Bridan D12/209
 D803,132 S * 11/2017 Okaji D12/209
 D804,388 S * 12/2017 Snyder D12/209
 D804,391 S * 12/2017 Ishii D12/209
 D805,457 S * 12/2017 Setter D12/211
 D821,951 S * 7/2018 Wheel D12/209
 D825,425 S * 8/2018 Brundle D12/209
 D830,936 S * 10/2018 Wheel D12/209
 2016/0303895 A1 * 10/2016 Kim B60B 3/10

* cited by examiner



FIG. 1



FIG. 2



FIG. 3

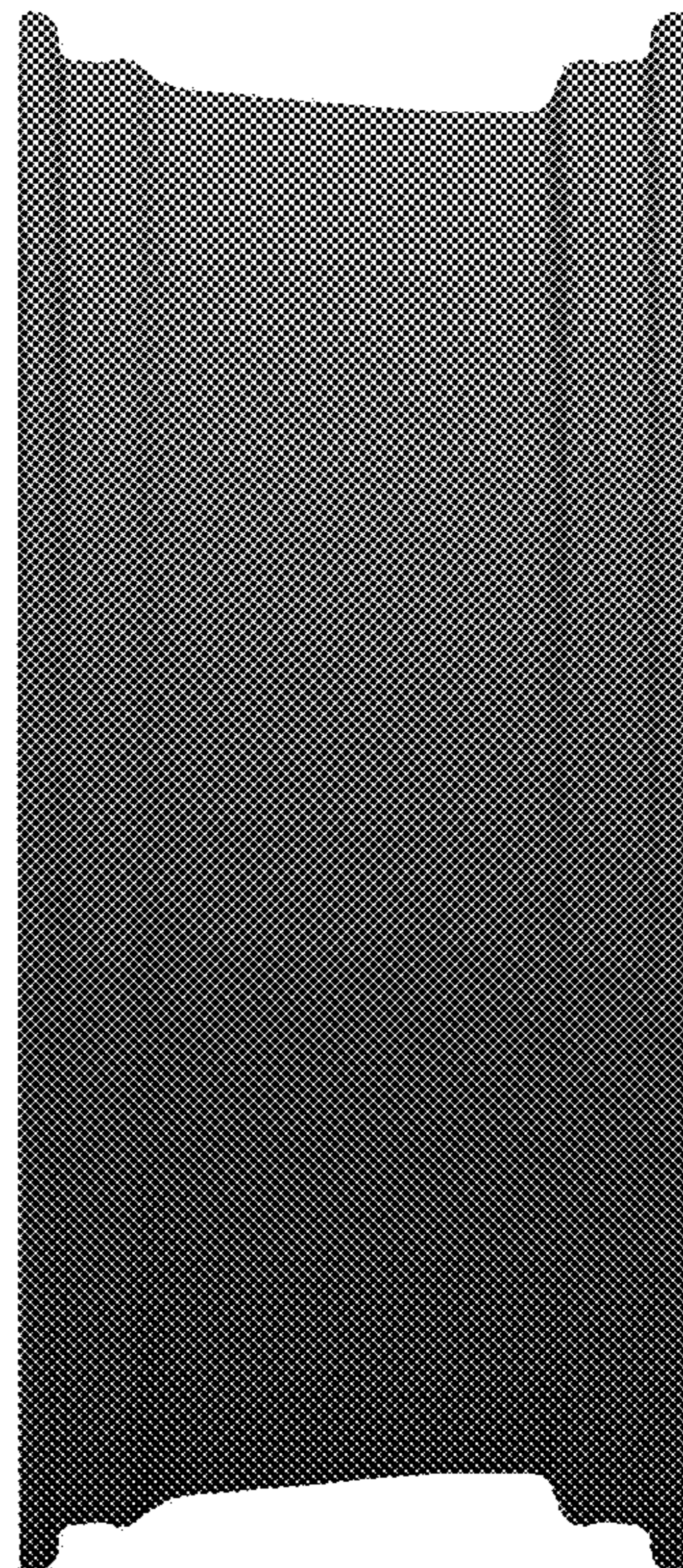


FIG. 4



FIG. 5



FIG. 6



FIG. 7



FIG. 8



FIG. 9



FIG. 10

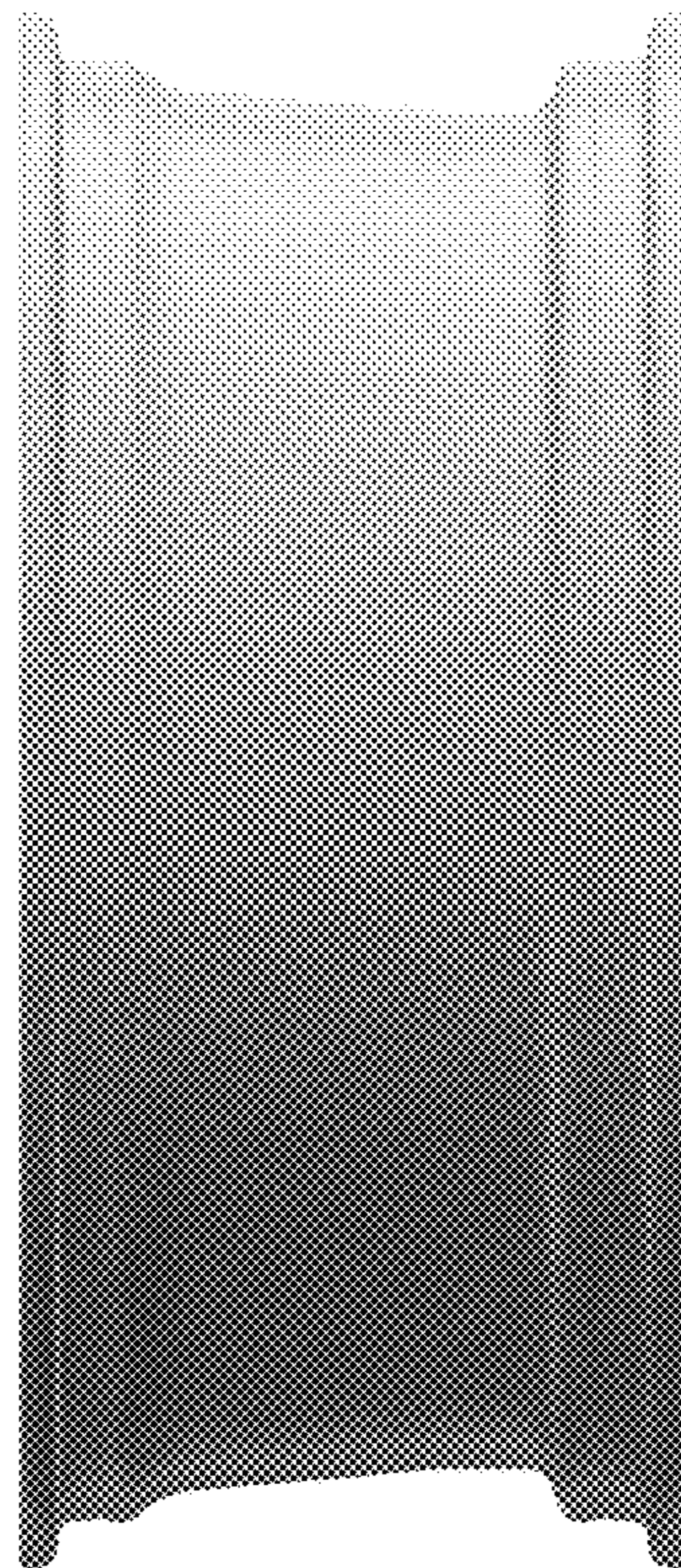


FIG. 11

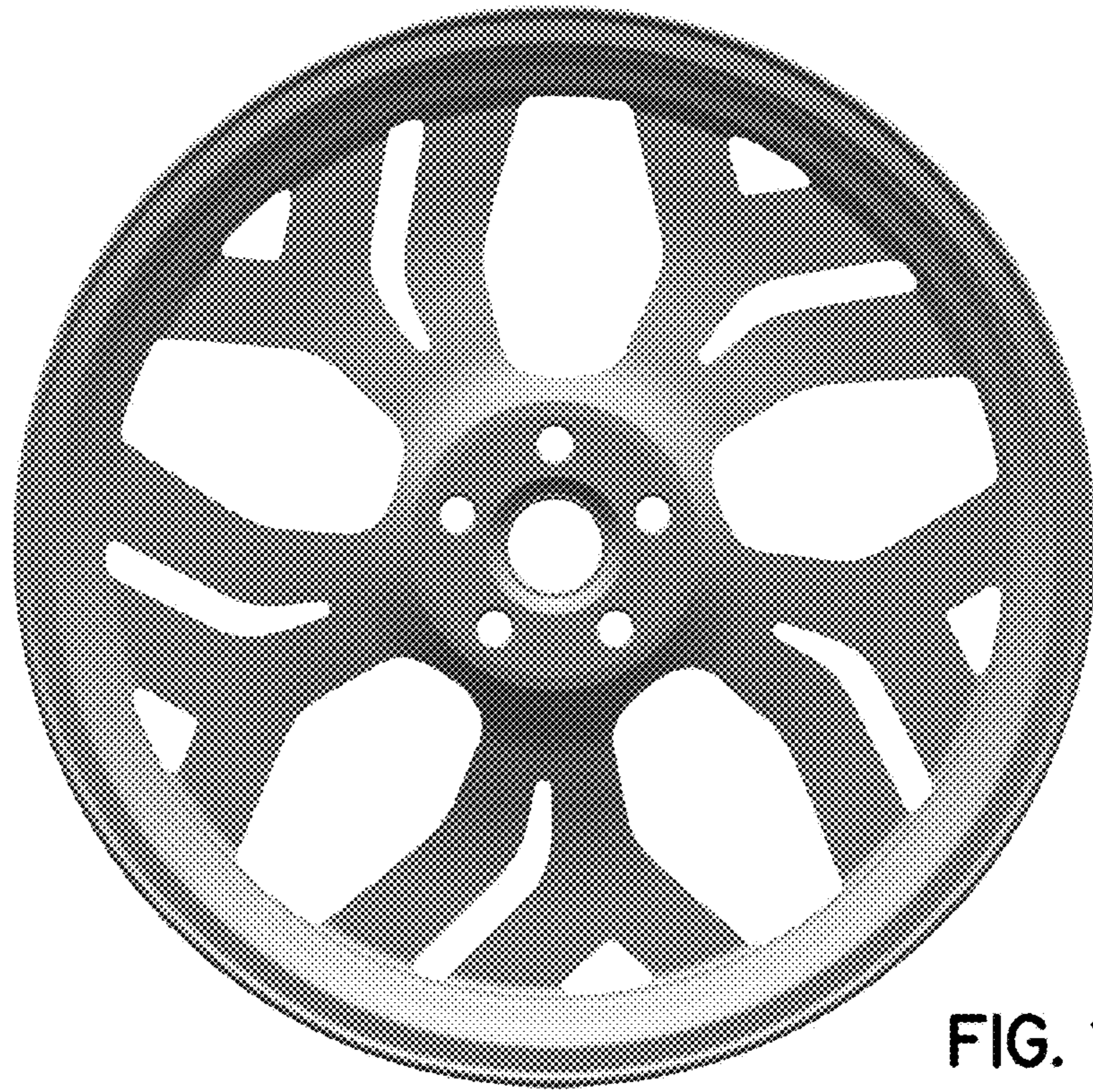


FIG. 12



FIG. 13



FIG. 14