



US00D851005S

(12) **United States Design Patent**
Hodges

(10) **Patent No.:** **US D851,005 S**

(45) **Date of Patent:** **** Jun. 11, 2019**

(54) **WHEEL**

(71) Applicant: **Frank J. Hodges**, Corona, CA (US)

(72) Inventor: **Frank J. Hodges**, Corona, CA (US)

(**) Term: **15 Years**

(21) Appl. No.: **29/585,197**

(22) Filed: **Nov. 21, 2016**

(51) **LOC (11) Cl.** **12-16**

(52) **U.S. Cl.**

USPC **D12/209**

(58) **Field of Classification Search**

USPC D12/204–213

CPC B60B 7/00; B60B 7/02; B60B 7/04; B60B

7/01; B60B 7/06; B60B 3/02; B60B 3/04;

B60B 3/06; B60B 3/10; B60B 1/00;

B60B 1/08; B60B 1/10; B60B 1/12

See application file for complete search history.

(56) **References Cited**

U.S. PATENT DOCUMENTS

D417,646 S	*	12/1999	Baumgartner	D12/211
D461,441 S	*	8/2002	Hartanto	D12/211
D475,674 S	*	6/2003	Baumgartner	D12/211
D488,420 S	*	4/2004	Murkett	D12/209
D533,825 S	*	12/2006	Baumgartner	D12/211
D541,202 S	*	4/2007	Baumgartner	D12/211
D542,208 S	*	5/2007	Gallert	D12/211
D606,921 S	*	12/2009	Thorsten	D12/211
D620,862 S	*	8/2010	Pollmann	D12/209
D622,196 S	*	8/2010	Gallert	D12/209
D622,199 S	*	8/2010	Gallert	D12/211
D649,103 S	*	11/2011	Gallert	D12/211
D663,668 S	*	7/2012	Pollmann	D12/209

D670,630 S	*	11/2012	Flueckiger	D12/209
D675,143 S	*	1/2013	Gebert	D12/209
D715,720 S	*	10/2014	Ender	D12/211
D747,254 S	*	1/2016	Liu	D12/211
D757,627 S	*	5/2016	Chung	D12/211
D758,274 S	*	6/2016	Breyton	D12/209
D780,657 S	*	3/2017	Welte	D12/211
D780,658 S	*	3/2017	Welte	D12/211
D784,238 S	*	4/2017	Chu	D12/211
D805,992 S	*	12/2017	Heizmann	D12/211
D810,646 S	*	2/2018	Heizmann	D12/209
D811,978 S	*	3/2018	Hodges	D12/211
D826,128 S	*	8/2018	Groth	D12/209
D828,799 S	*	9/2018	Zschocke	D12/209
D829,150 S	*	9/2018	Chung	D12/209
D829,630 S	*	10/2018	Chung	D12/209
D836,052 S	*	12/2018	Sempek	D12/209
D837,711 S	*	1/2019	Chung	D12/209
D840,896 S	*	2/2019	Schmolz	D12/209
D842,188 S	*	3/2019	Han	D12/209
D842,202 S	*	3/2019	Han	D12/209

* cited by examiner

Primary Examiner — Stacia A Cadmus

(74) *Attorney, Agent, or Firm* — Erie B. Alspaugh

(57) **CLAIM**

The ornamental design for a wheel, as shown and described.

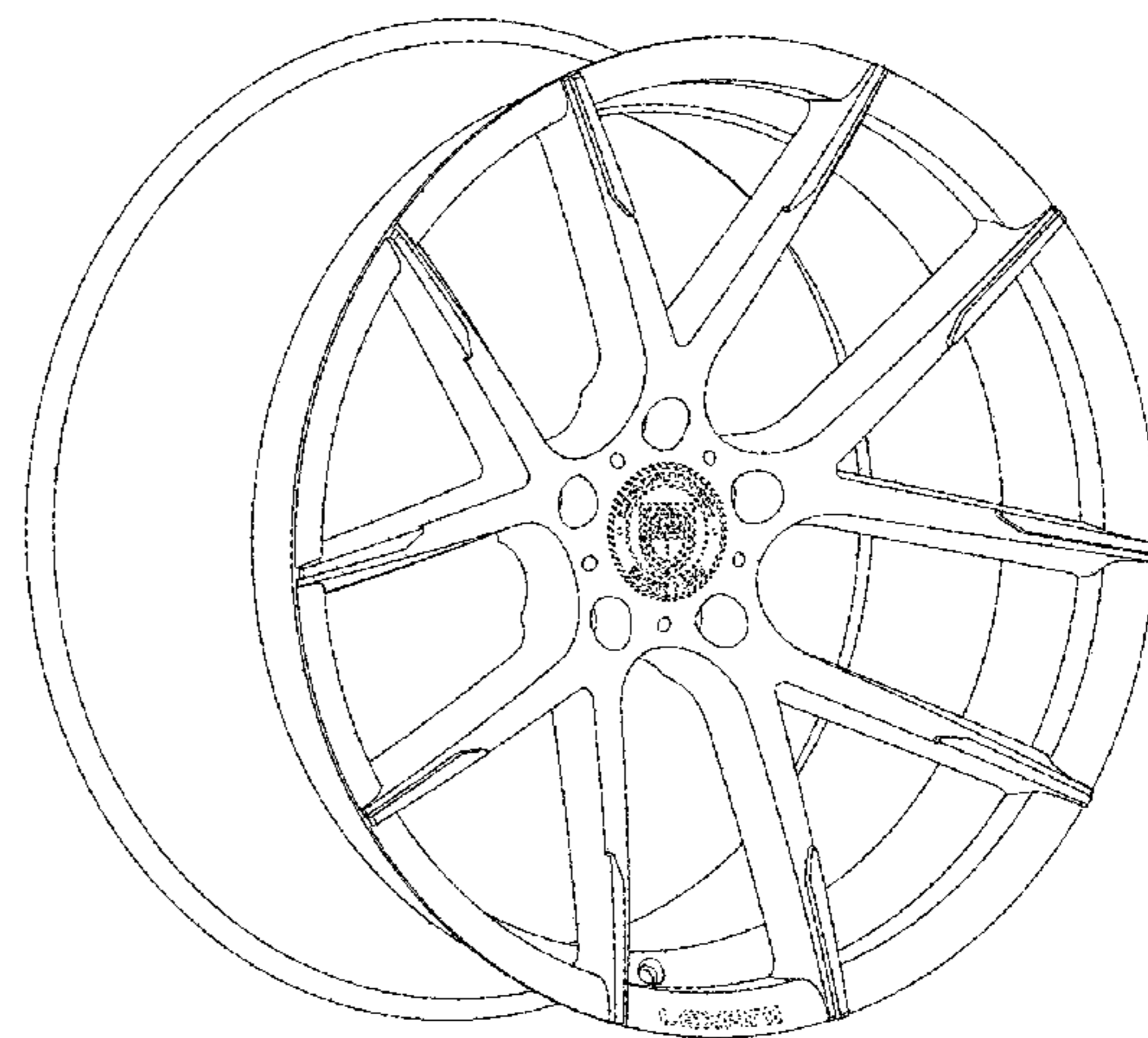
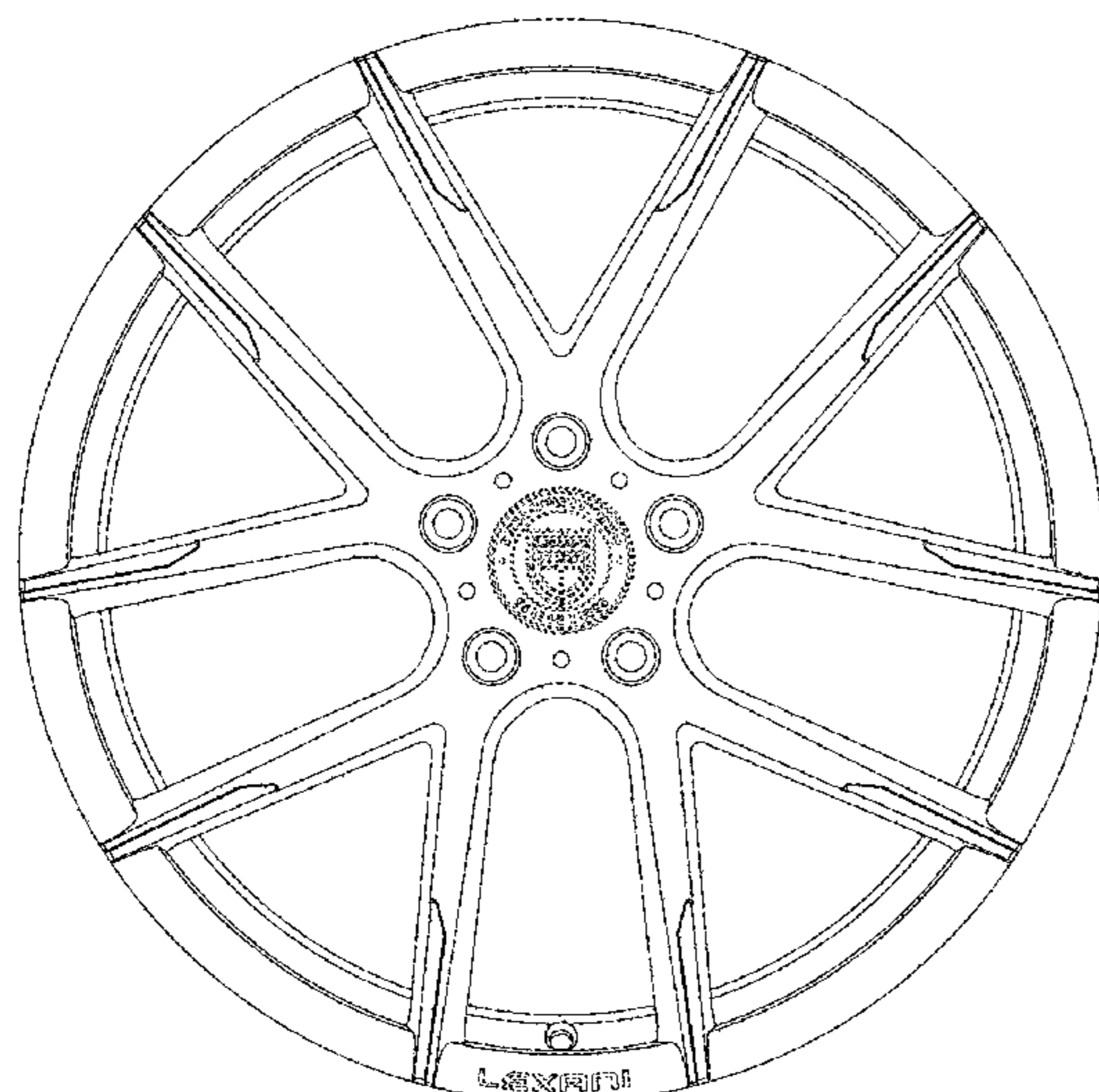
DESCRIPTION

FIG. 1 is a front view of a wheel showing my new design; and,

FIG. 2 is an oblique view thereof.

The broken line showing of the logo is included for the purpose of illustrating environment and forms no part of the claimed design.

1 Claim, 2 Drawing Sheets



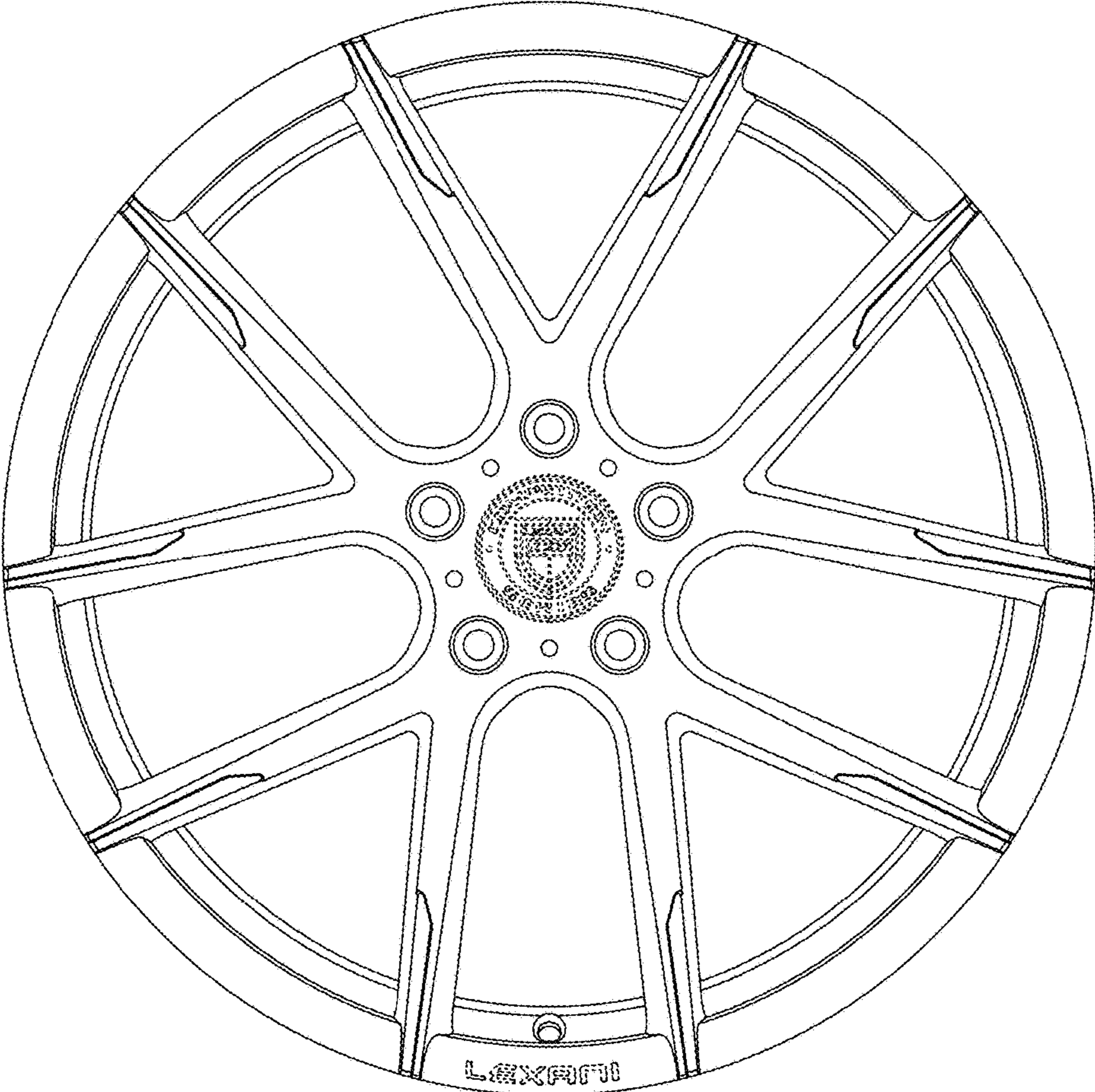


Fig. 1

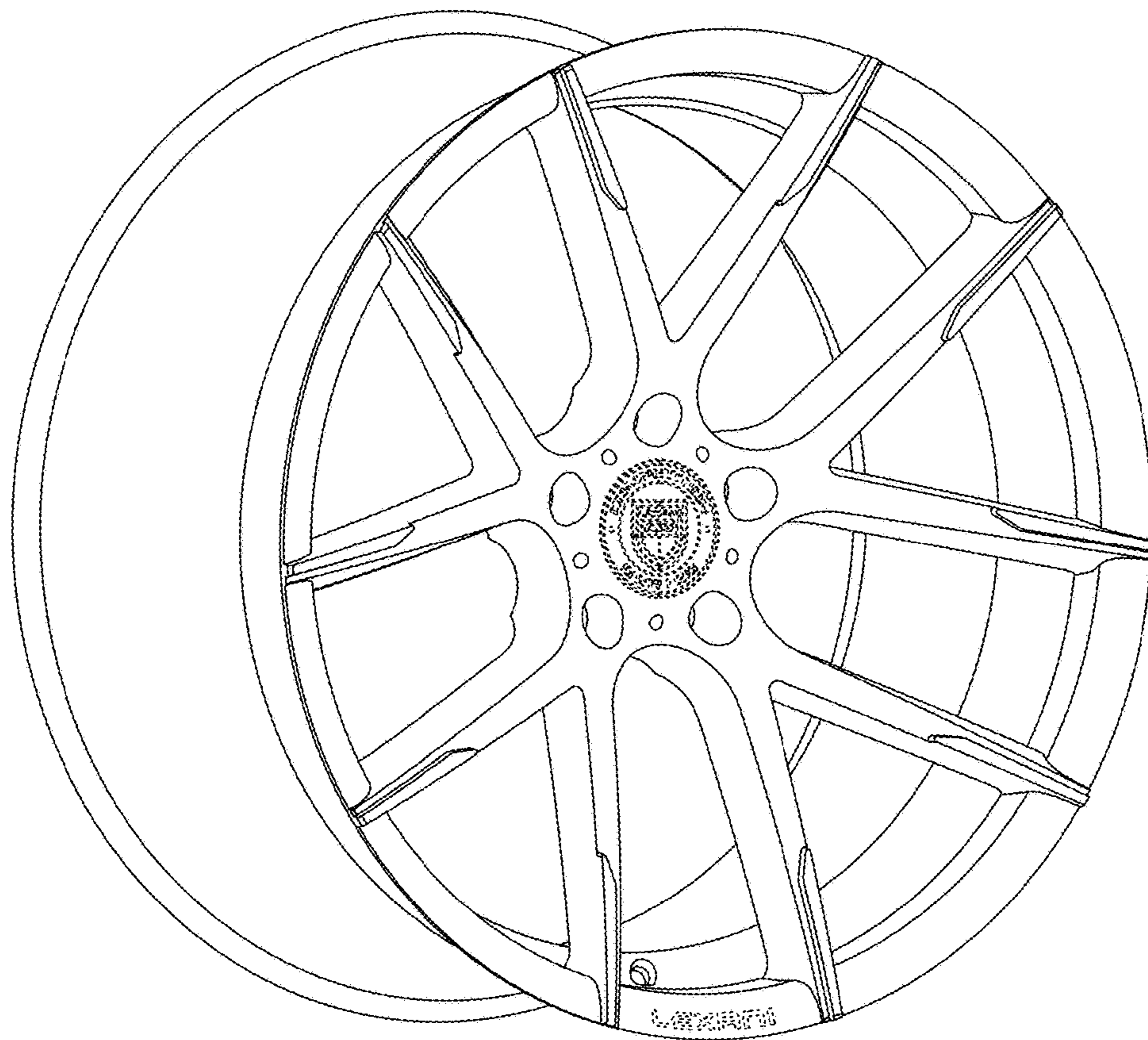


Fig. 2