



US00D851003S

(12) **United States Design Patent**
Tomasson et al.

(10) **Patent No.:** **US D851,003 S**
(45) **Date of Patent:** **** Jun. 11, 2019**

- (54) **LEFT VEHICLE SIDE DOOR**
- (71) Applicant: **Nio Nextev Limited**, Hong Kong (HK)
- (72) Inventors: **Kris Tomasson**, Hong Kong (HK);
Juho Suh, Hong Kong (HK); **Jim Baste**, Hong Kong (HK); **Salvatore Aita**, Hong Kong (HK); **Vasiliy Kurkov**, Hong Kong (HK); **Soowan Park**, Hong Kong (HK)
- (73) Assignee: **NIO NEXTEV LIMITED**, Hong Kong (HK)
- (**) Term: **15 Years**
- (21) Appl. No.: **29/616,469**
- (22) Filed: **Sep. 6, 2017**
- (30) **Foreign Application Priority Data**

Apr. 10, 2017 (CN) 2017 3 0115905

- (51) **LOC (11) Cl.** **12-16**
- (52) **U.S. Cl.**
USPC **D12/196**
- (58) **Field of Classification Search**
USPC D12/190, 193, 195, 196, 414
CPC E05B 81/56; E05B 81/80; E05B 65/00;
E05B 65/06; E05B 65/10; E05B 65/12;
E05B 79/06; B60J 5/04
See application file for complete search history.

(56) **References Cited**

U.S. PATENT DOCUMENTS

- D468,675 S * 1/2003 Murkett D12/196
- D558,113 S * 12/2007 Leclercq D12/196
- D573,522 S * 7/2008 Sato D12/196
- D580,332 S * 11/2008 Gueler D12/196
- D583,288 S * 12/2008 Leclercq D12/196

- D593,016 S * 5/2009 Habib D12/196
- D593,471 S * 6/2009 Larson D12/196
- D593,918 S * 6/2009 Larson D12/196
- D601,072 S * 9/2009 Giachin D12/196
- D616,348 S * 5/2010 Rosenbohm D12/195
- D620,415 S * 7/2010 Froehlich D12/196
- D629,730 S * 12/2010 Schneider D12/196
- D636,317 S * 4/2011 Matei D12/196
- D645,388 S * 9/2011 Kumai D12/196
- D653,187 S * 1/2012 Tomatsu D12/196
- D665,321 S * 8/2012 Huet D12/196
- D674,328 S * 1/2013 Ikuma D12/196
- D676,366 S * 2/2013 Yamada D12/196
- D695,178 S * 12/2013 Tada D12/196
- D695,663 S * 12/2013 Suga D12/196
- D699,654 S * 2/2014 Okue D12/196
- D700,875 S * 3/2014 Jevremovic D12/196
- D701,809 S * 4/2014 Hildebrand D12/196
- D703,123 S * 4/2014 Hildebrand D12/196
- D705,149 S * 5/2014 Sakae D12/196
- D758,270 S * 6/2016 Zadnik D12/196
- D762,541 S * 8/2016 Jo D12/196
- D763,156 S * 8/2016 Jo D12/196

(Continued)

Primary Examiner — Susan Bennett Hattan

Assistant Examiner — Susanne E Tisdell

(74) *Attorney, Agent, or Firm* — Hogan Lovells US LLP

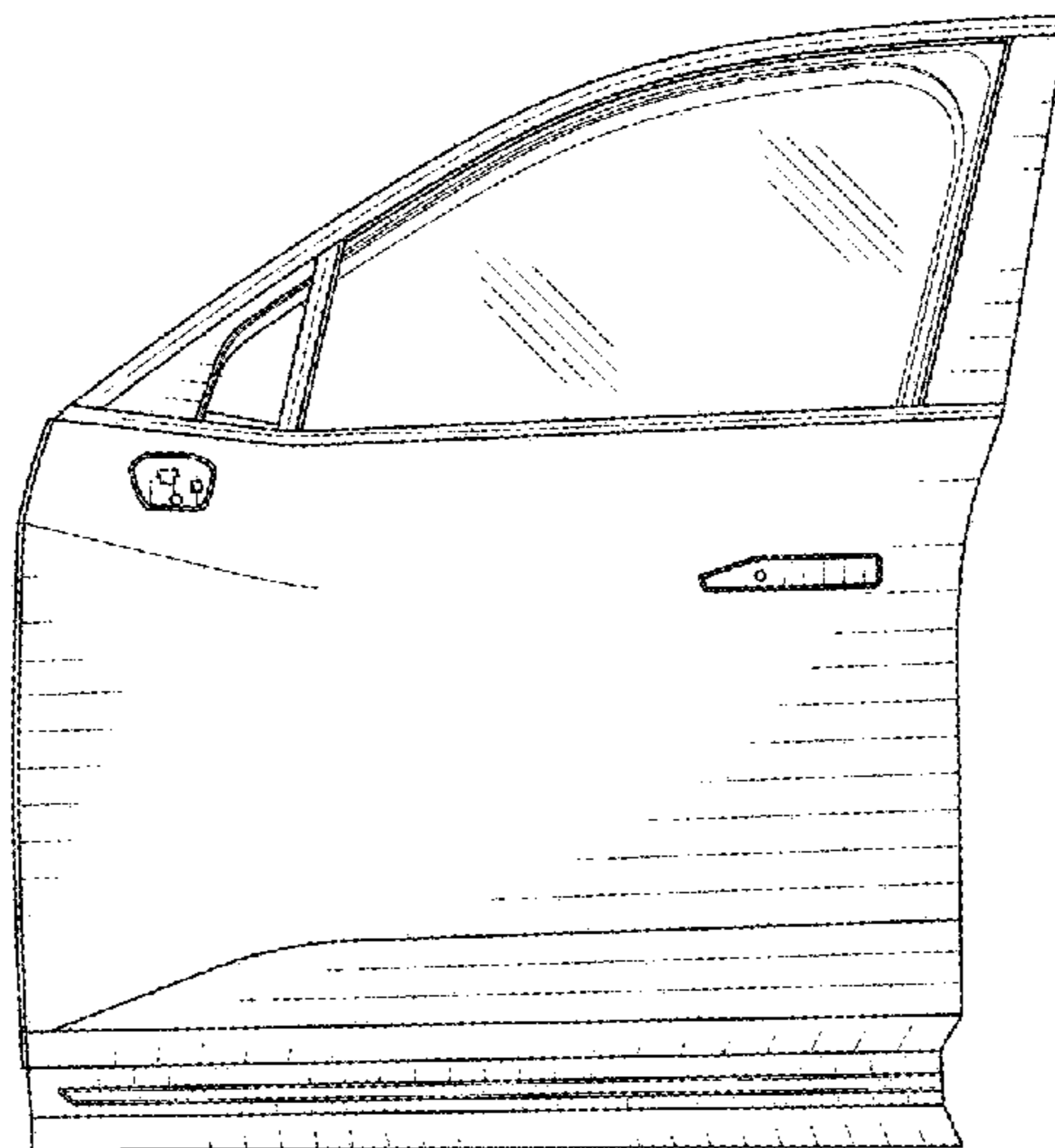
(57) **CLAIM**

The ornamental design for a left vehicle side door, as shown and described.

DESCRIPTION

- FIG. 1 is a front view thereof;
- FIG. 2 is a rear view thereof;
- FIG. 3 is a left side view thereof;
- FIG. 4 is a right side view thereof;
- FIG. 5 is a top view thereof;
- FIG. 6 is a bottom view thereof;
- FIG. 7 is a front perspective view thereof; and,
- FIG. 8 is a rear perspective view thereof.

1 Claim, 8 Drawing Sheets



(56)

References Cited

U.S. PATENT DOCUMENTS

D765,571 S * 9/2016 Faghihzadeh D12/196
D772,758 S * 11/2016 Frascella D12/92
D772,772 S * 11/2016 Frascella D12/196
D775,567 S * 1/2017 Faghihzadeh D12/196
D776,593 S * 1/2017 Schneider D12/196
D779,407 S * 2/2017 Bae D12/196
D781,194 S * 3/2017 Bae D12/196
D785,529 S * 5/2017 Kyung D12/196
D785,531 S * 5/2017 Lim D12/196
D786,761 S * 5/2017 Luk D12/196
D801,246 S * 10/2017 Lee D12/196
D803,121 S * 11/2017 Granlund D12/196
D803,122 S * 11/2017 Granlund D12/196
2003/0177796 A1 * 9/2003 Dimig E05B 79/06
70/237
2010/0301618 A1 * 12/2010 Costigan E05B 77/06
292/93
2011/0219700 A1 * 9/2011 Grudzinski B60J 10/40
49/493.1
2012/0272578 A1 * 11/2012 Ellinghaus E05D 15/101
49/358
2013/0020816 A1 * 1/2013 Saitou E05B 79/06
292/336.3
2013/0341961 A1 * 12/2013 Mori B60J 5/04
296/146.2
2016/0114658 A1 * 4/2016 Yokota B60J 10/45
49/489.1
2016/0160540 A1 * 6/2016 Bejune E05B 77/06
292/196
2016/0187107 A1 * 6/2016 Johnston F41H 7/00
89/36.08
2018/0051492 A1 * 2/2018 Smith B60J 5/04
2018/0051493 A1 * 2/2018 Krishnan E05B 81/56

* cited by examiner

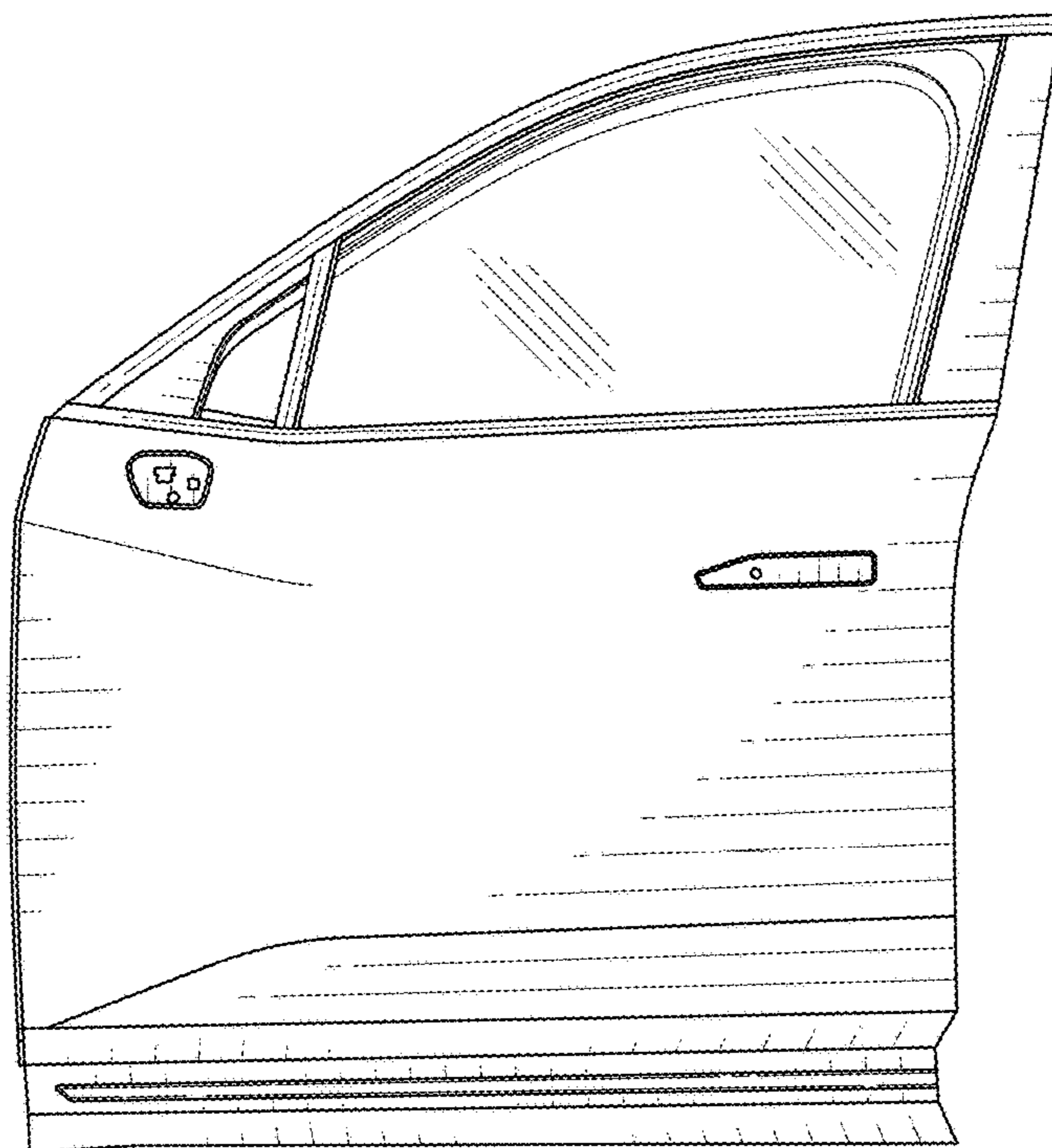


FIG. 1

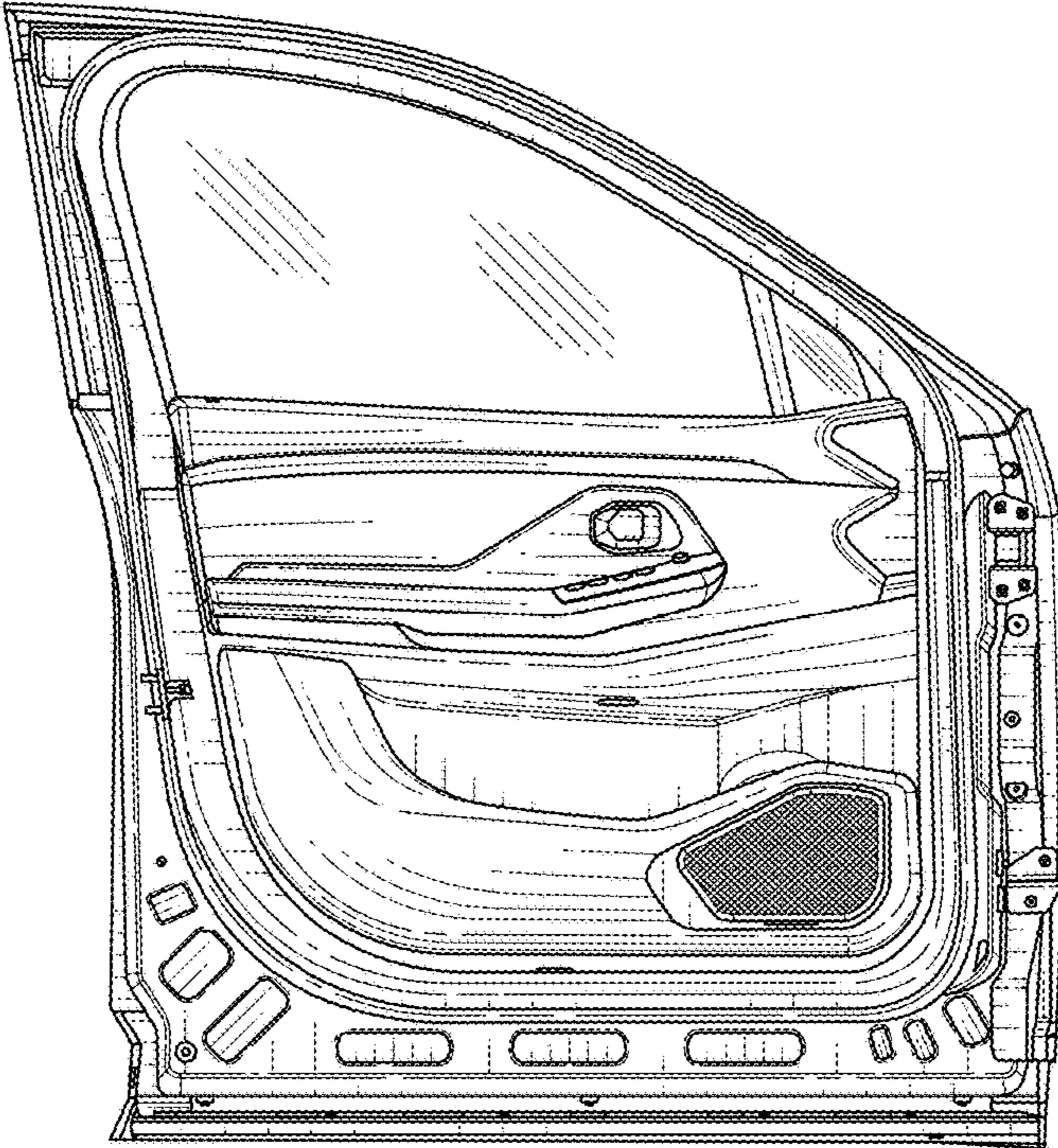


FIG. 2

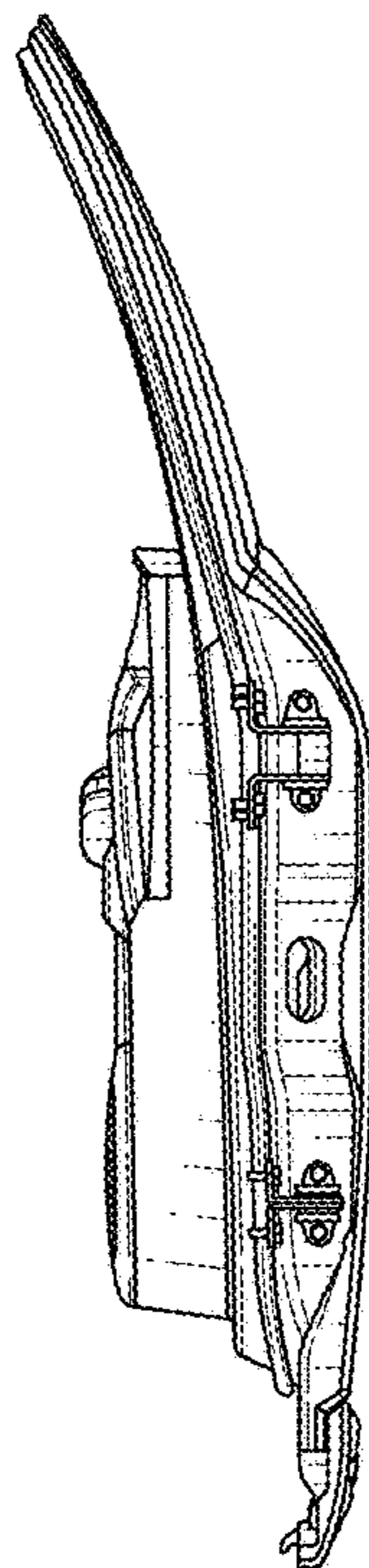


FIG. 3

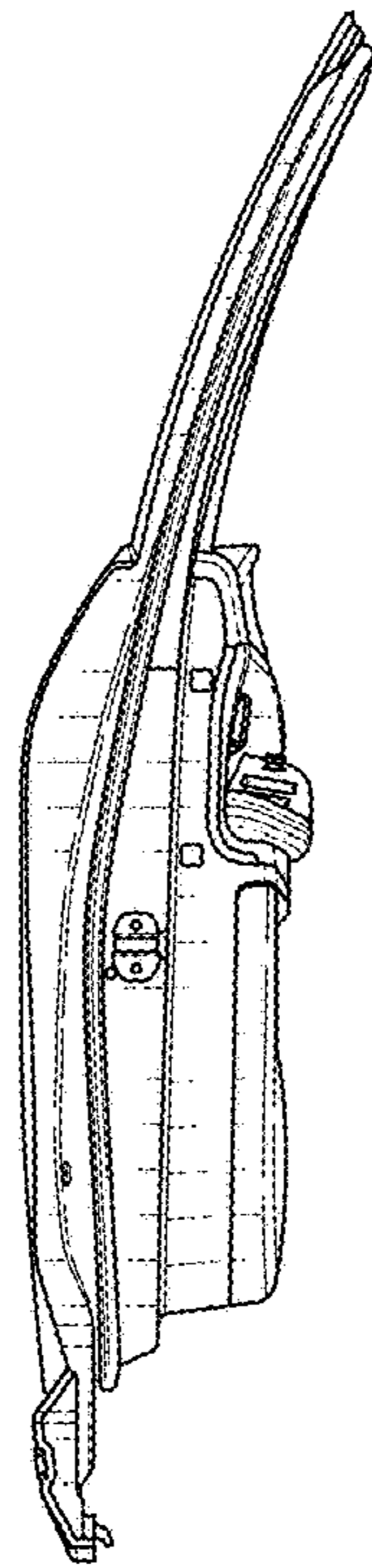


FIG. 4

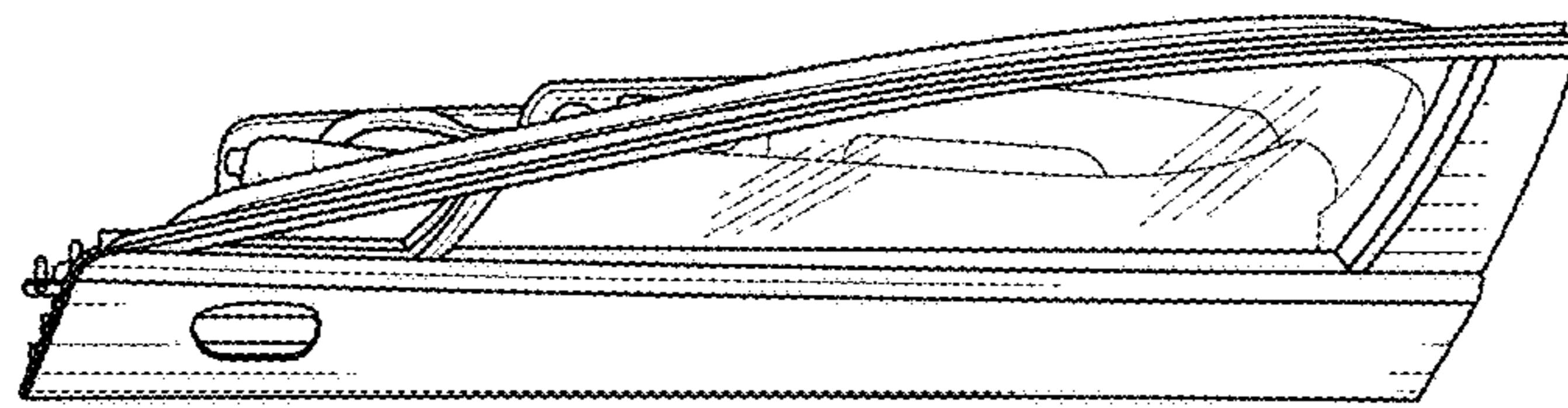


FIG. 5

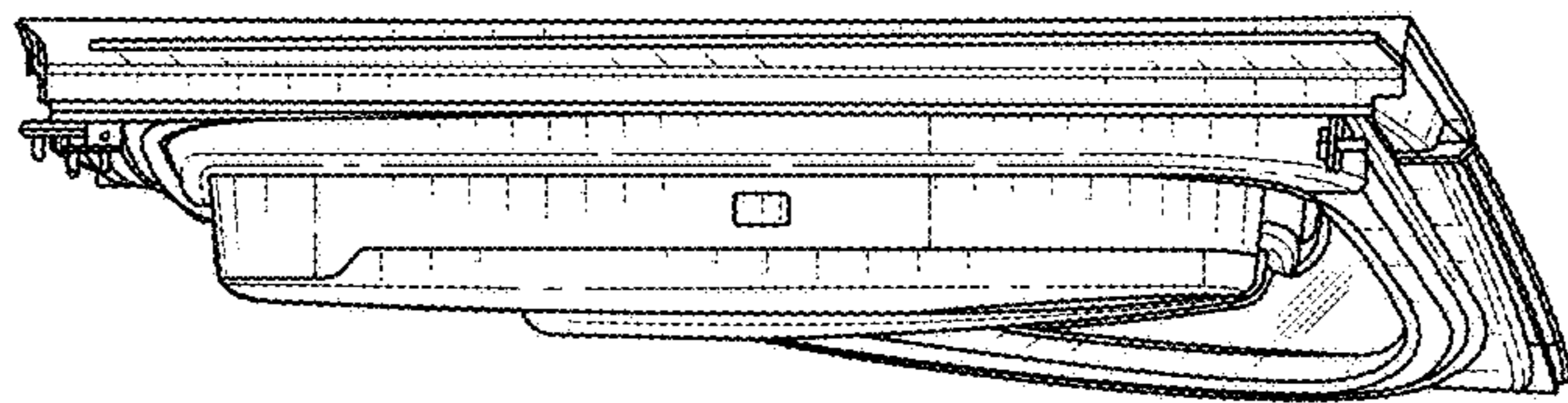


FIG. 6

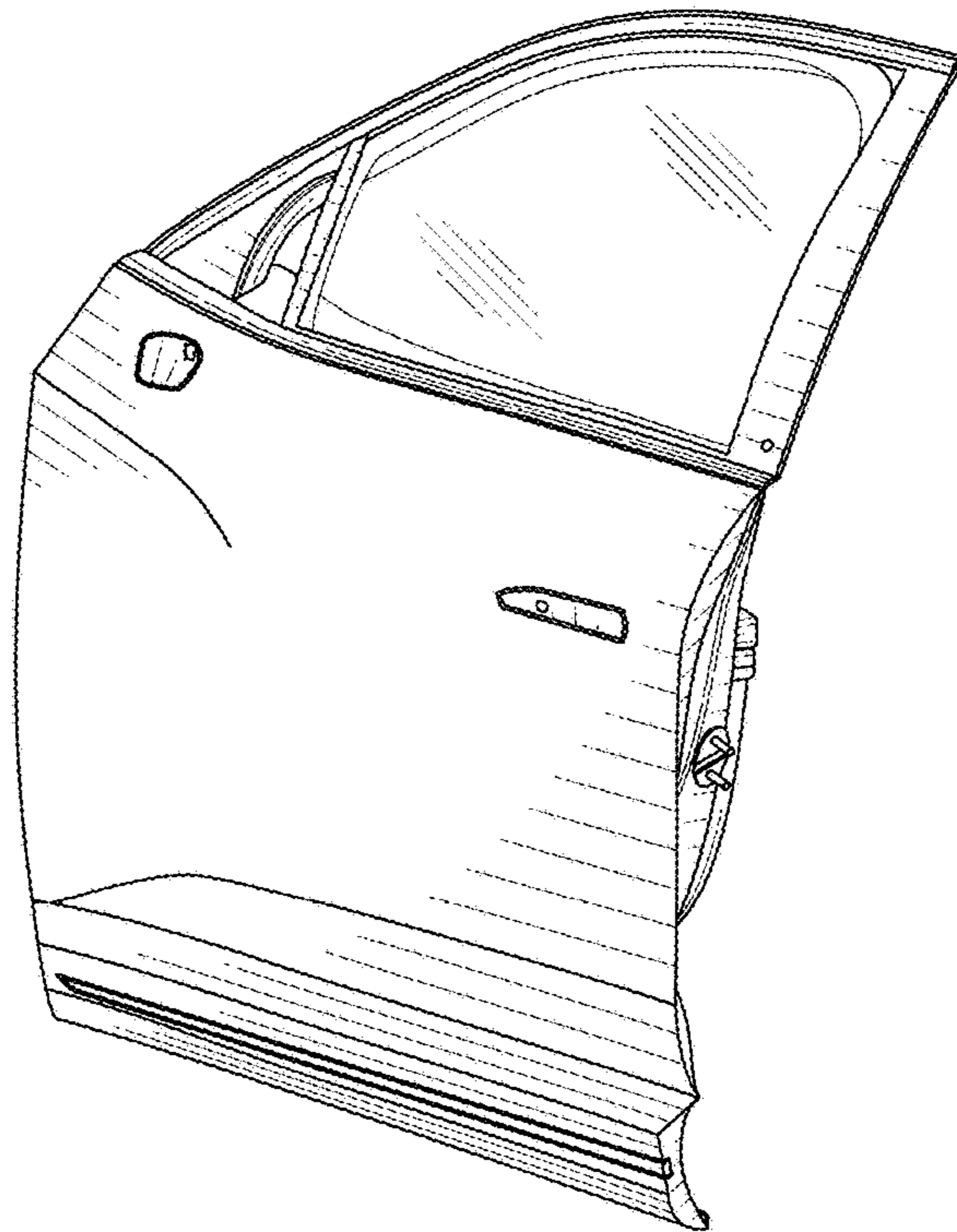


FIG. 7

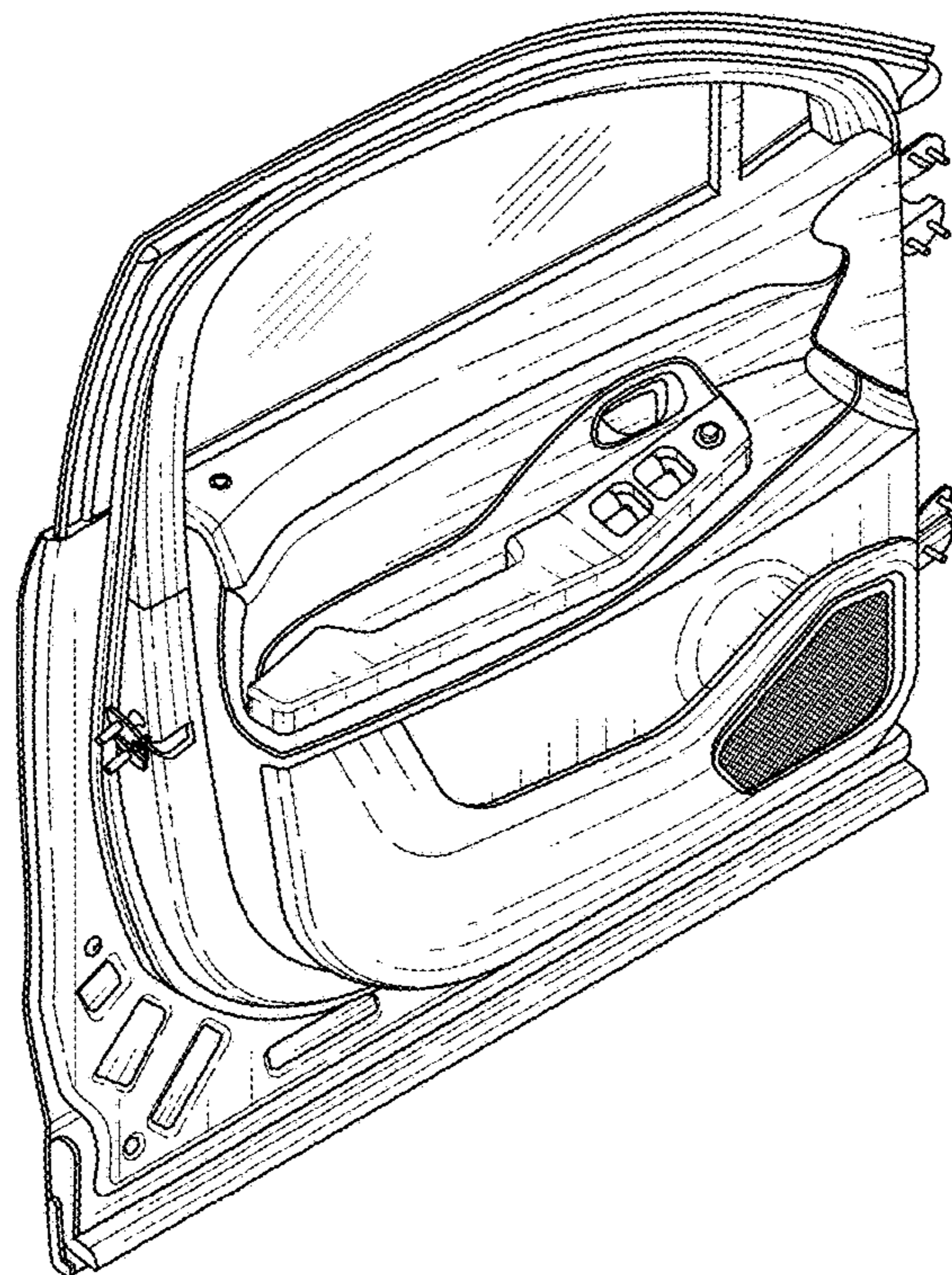


FIG. 8