



US00D851000S

(12) **United States Design Patent**
Lu

(10) **Patent No.:** **US D851,000 S**
(45) **Date of Patent:** **** Jun. 11, 2019**

- (54) **REAR WINDOW VENTS**
- (71) Applicant: **Turn 5, Inc.**, Malvern, PA (US)
- (72) Inventor: **Shunguo Lu**, Danyang (CN)
- (73) Assignee: **Turn 5, Inc.**, Paoli, PA (US)
- (**) Term: **15 Years**
- (21) Appl. No.: **29/596,309**
- (22) Filed: **Mar. 7, 2017**
- (51) **LOC (11) Cl.** **12-16**
- (52) **U.S. Cl.**
USPC **D12/183**
- (58) **Field of Classification Search**
USPC D12/183, 182, 190, 191
CPC B60J 3/02; B60J 3/0208; B60J 1/20; B60J
1/2005; B60J 1/2002; B60J 3/0204
See application file for complete search history.

D375,068 S *	10/1996	Lund	D12/183
D511,730 S *	11/2005	Rowland	D12/190
D549,626 S *	8/2007	Elwell	D12/191
D551,141 S *	9/2007	Canitano	D12/183
D725,560 S *	3/2015	Mays	D12/183

* cited by examiner

Primary Examiner — Katrina A Betton

(74) *Attorney, Agent, or Firm* — Schott, P.C.

(57) **CLAIM**

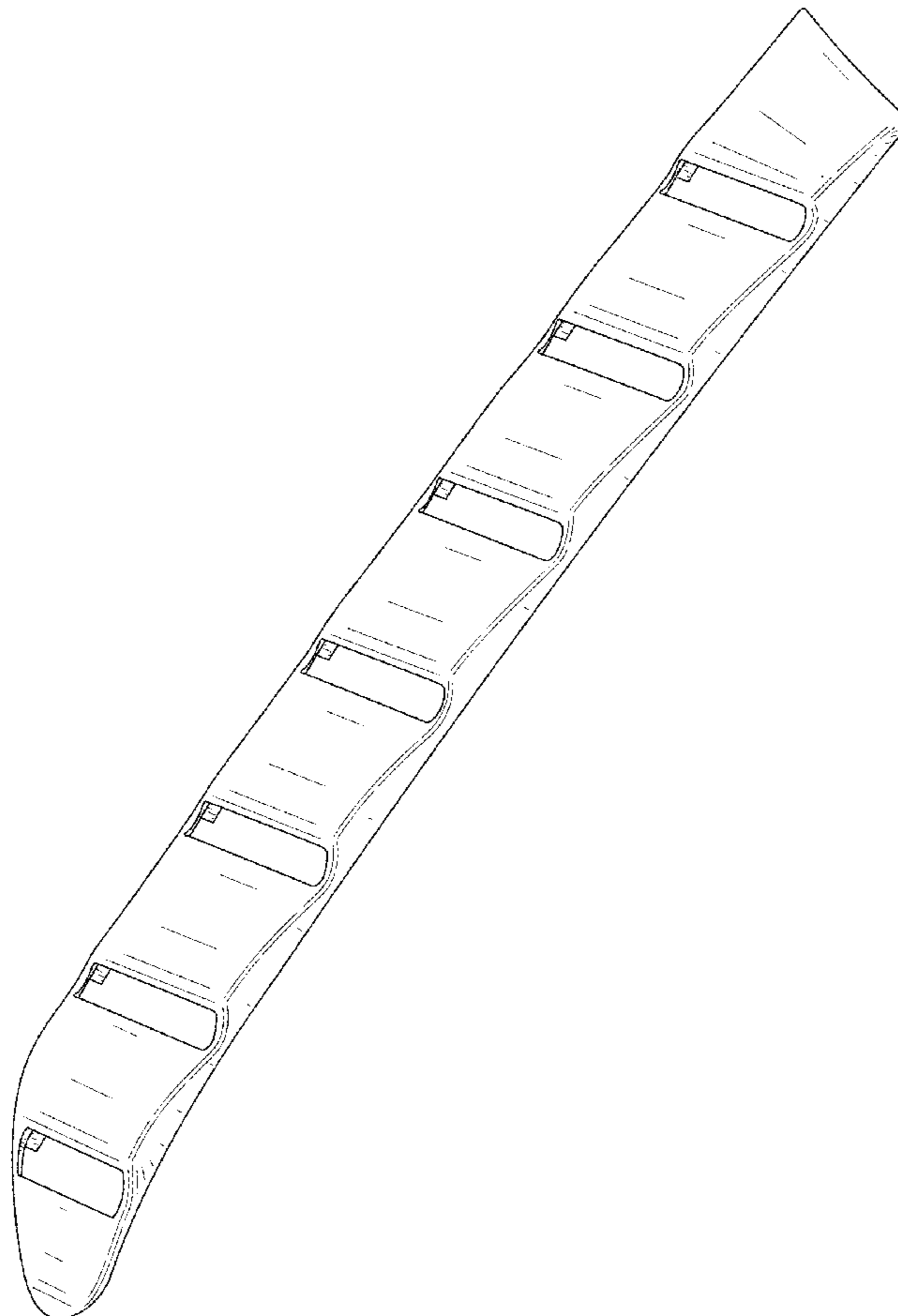
The ornamental design for a rear window vents, as shown and described.

DESCRIPTION

FIG. 1 is a perspective top view of the rear window vents of the present invention, understanding that mirror views of the window vents are possible;
 FIG. 2 is a perspective top side view thereof;
 FIG. 3 is a perspective bottom side view thereof;
 FIG. 4 is a front perspective view thereof;
 FIG. 5 is a rear perspective view thereof;
 FIG. 6 is a top view thereof; and,
 FIG. 7 is a bottom view thereof.

- (56) **References Cited**
U.S. PATENT DOCUMENTS
4,023,309 A * 5/1977 Backward B60J 1/2088
296/152
D355,880 S * 2/1995 Roberts D12/183

1 Claim, 5 Drawing Sheets



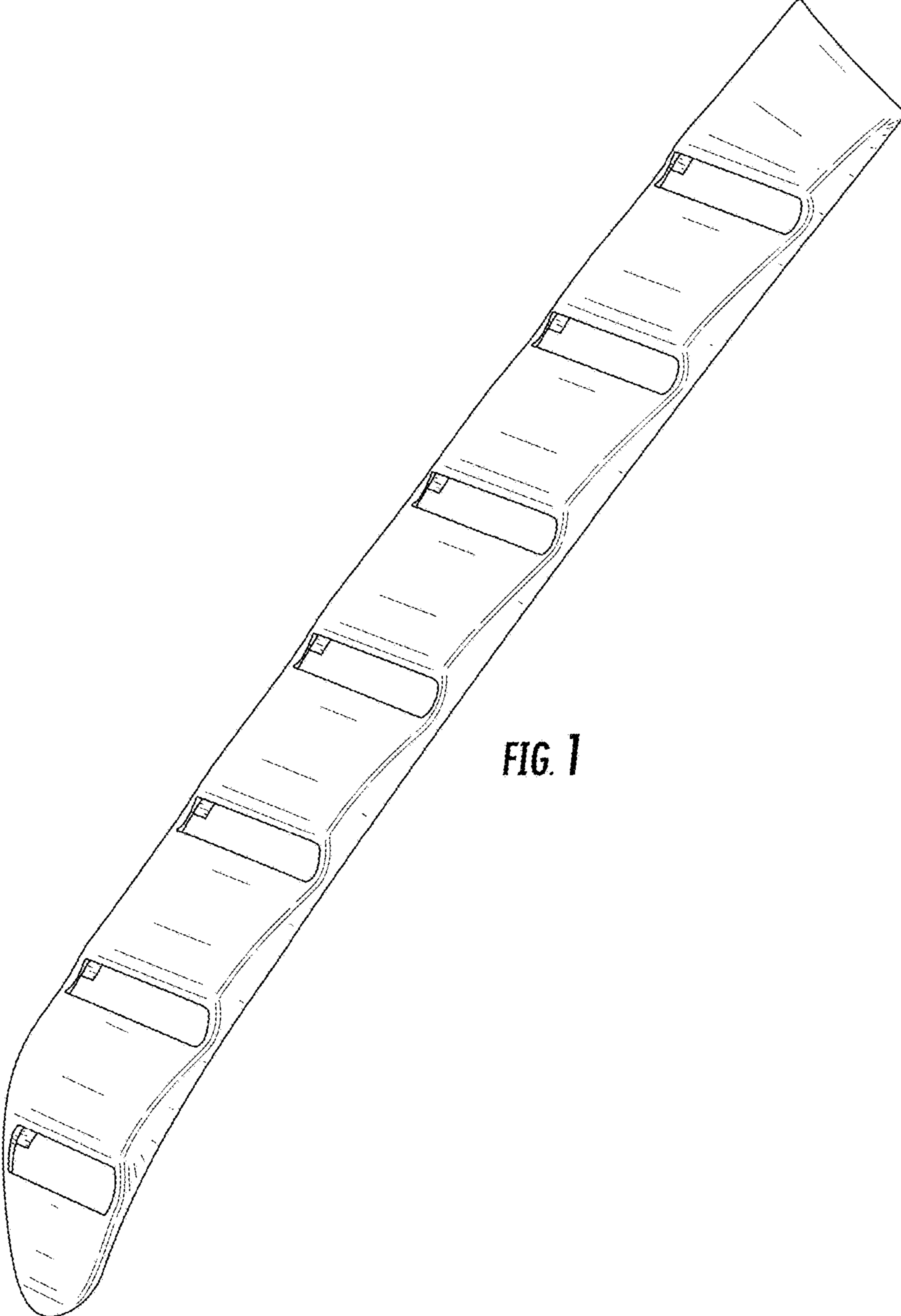


FIG. 1

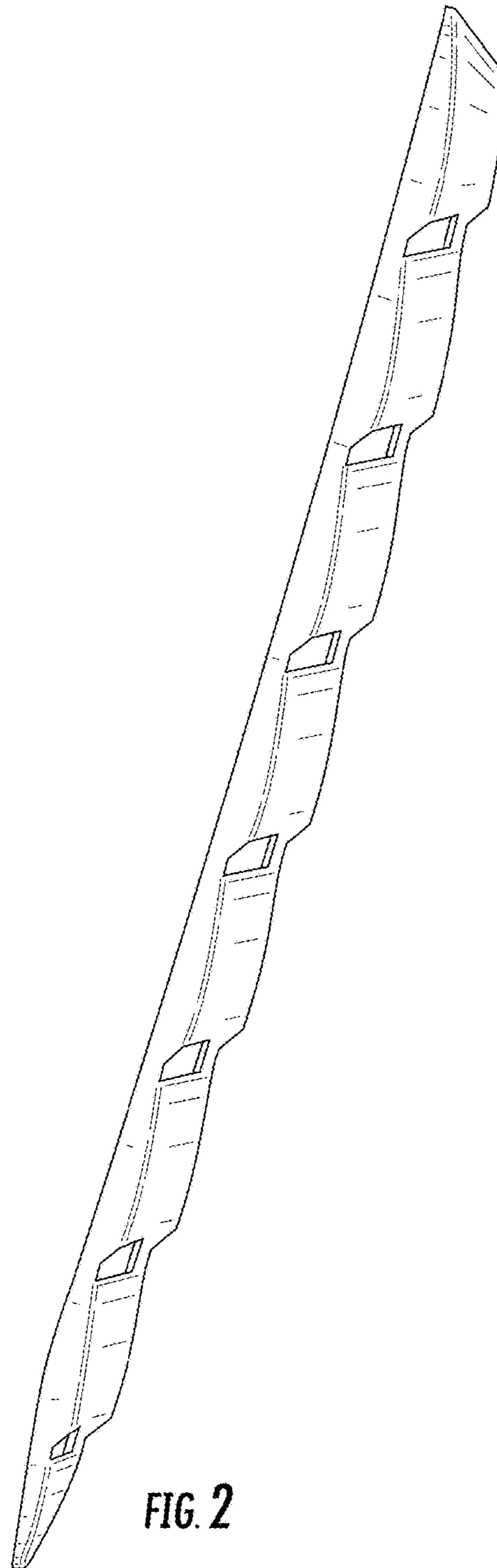


FIG. 2

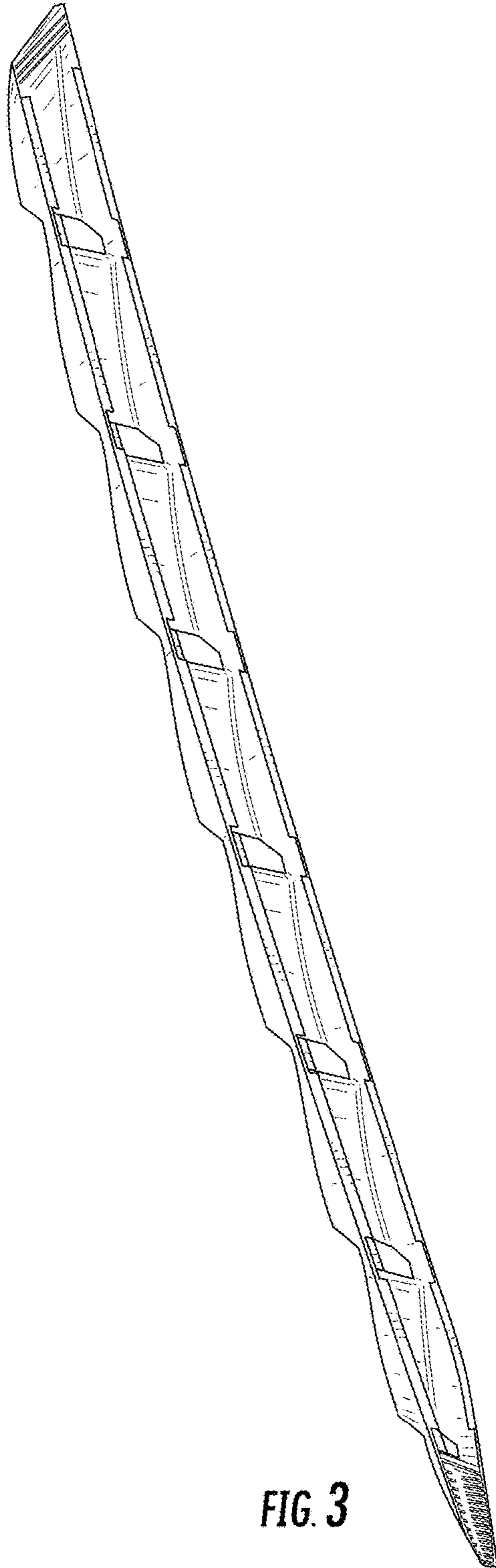


FIG. 3

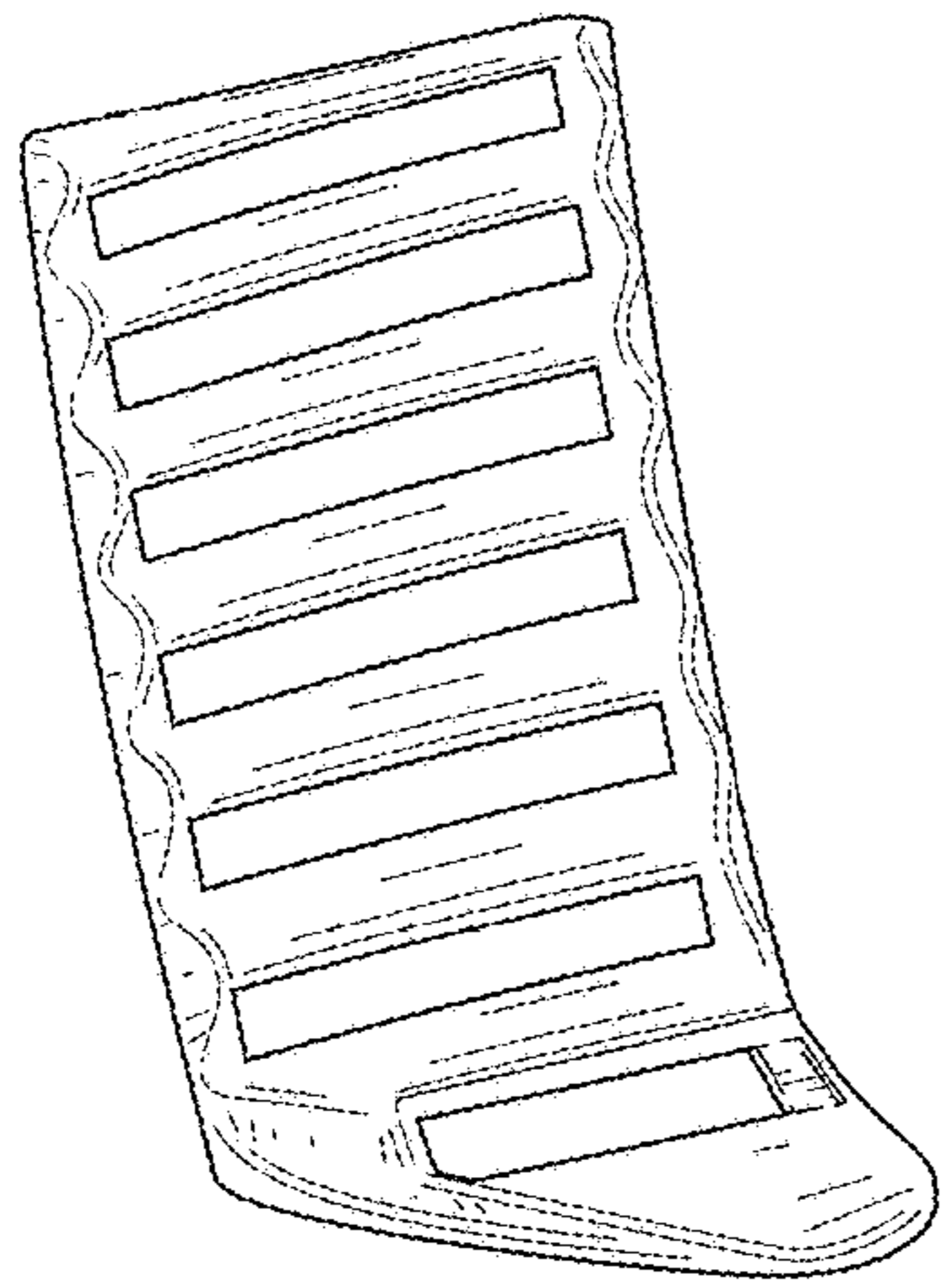


FIG. 4

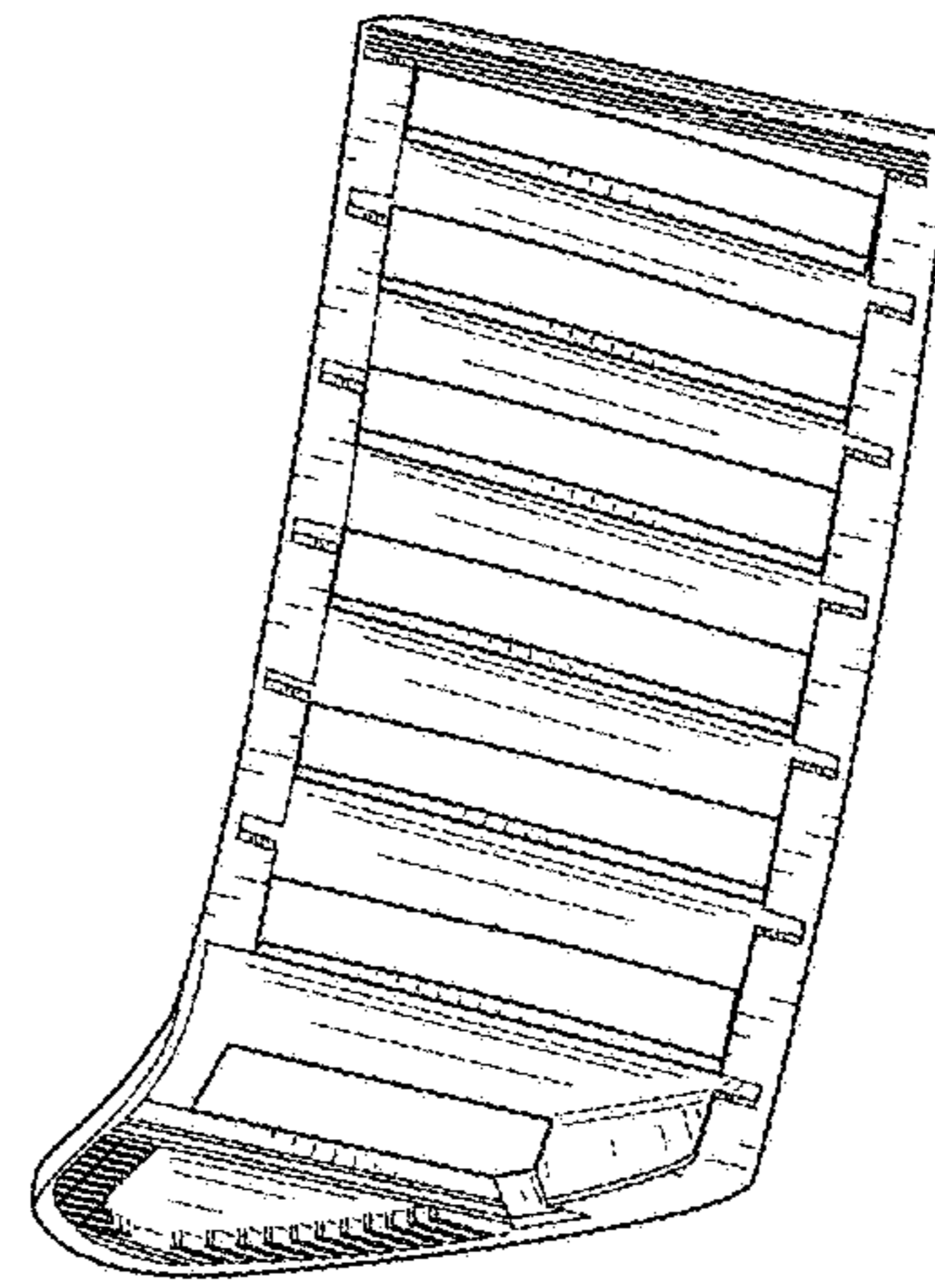


FIG. 5

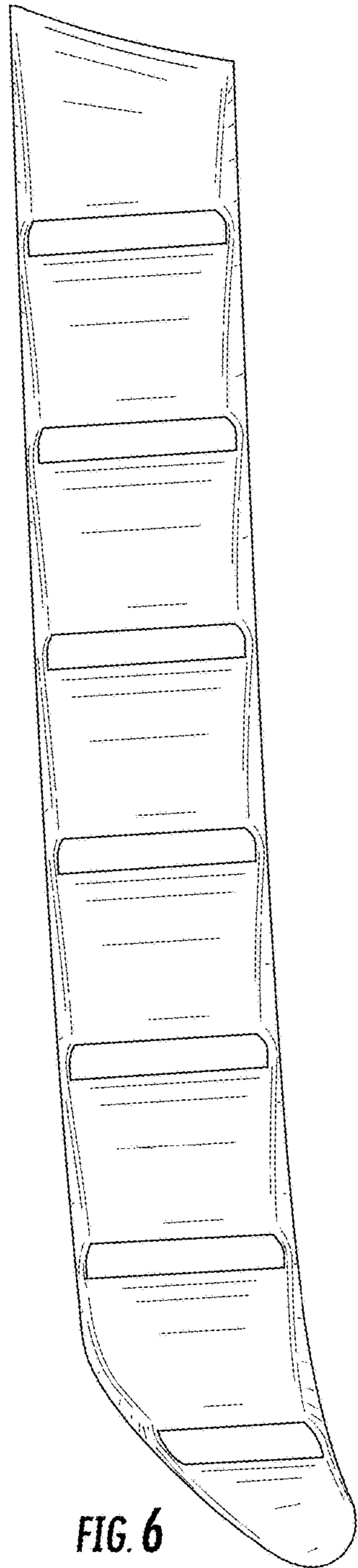


FIG. 6

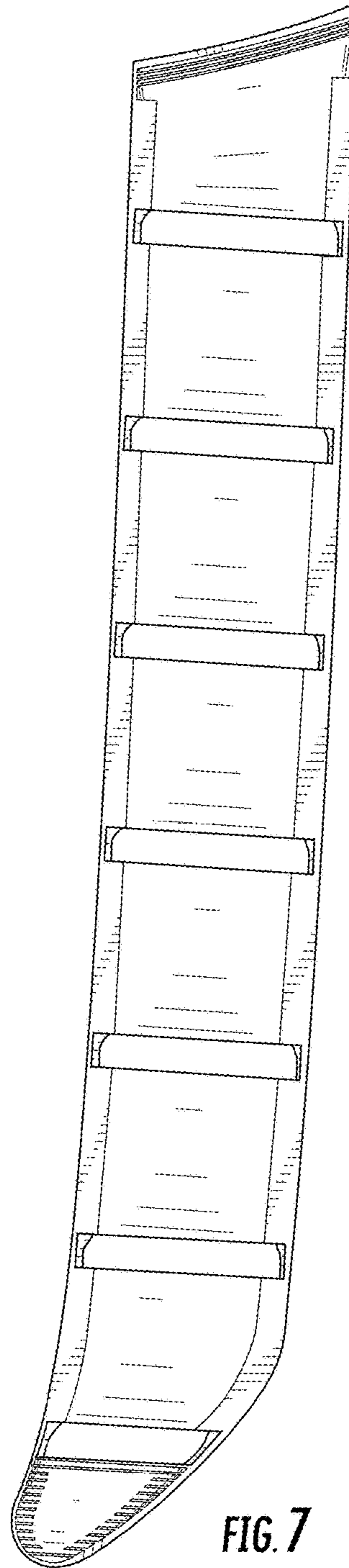


FIG. 7