



US00D850988S

(12) **United States Design Patent**
Woodhouse et al.

(10) **Patent No.:** **US D850,988 S**

(45) **Date of Patent:** **** Jun. 11, 2019**

(54) **VEHICLE FRONT UPPER GRILLE**

(71) Applicant: **Ford Global Technologies, LLC,**
Dearborn, MI (US)

(72) Inventors: **David Woodhouse,** Troy, MI (US);
Kemal Curic, Irvine, CA (US); **Xitij**
Mistry, Ann Arbor, MI (US);
Gurminder Bhandal, Ferndale, MI
(US); **John C. Caswell,** Grosse Pointe,
MI (US)

(73) Assignee: **Ford Global Technologies, LLC,**
Dearborn, MI (US)

(**) Term: **15 Years**

(21) Appl. No.: **29/641,694**

(22) Filed: **Mar. 23, 2018**

(51) **LOC (11) Cl.** **12-16**

(52) **U.S. Cl.**
USPC **D12/163**

(58) **Field of Classification Search**
USPC D12/169, 196, 86, 90-92, 163; 293/102,
293/113, 115, 117, 120, 193.11;
296/180.1, 180.2; 180/68.1, 68.6
CPC B60R 19/52; B60K 11/08; B62D 25/08;
B62B 9/16
See application file for complete search history.

(56) **References Cited**

U.S. PATENT DOCUMENTS

D533,119 S * 12/2006 Schiavone D12/163
D725,555 S * 3/2015 Wolff D12/163
D756,854 S * 5/2016 Horiuchi D12/163

D758,928 S * 6/2016 Messale D12/163
D766,782 S * 9/2016 Arroba D12/163
D769,779 S * 10/2016 Woodhouse D12/163
D770,942 S * 11/2016 Woodhouse D12/92
D781,188 S * 3/2017 Wolff D12/163
D788,654 S * 6/2017 Curic D12/163
D788,655 S * 6/2017 Curic D12/163
D793,283 S * 8/2017 Woodhouse D12/91
D819,514 S * 6/2018 Woodhouse D12/163

* cited by examiner

Primary Examiner — Melody N Brown

(74) *Attorney, Agent, or Firm* — Vichit Chea

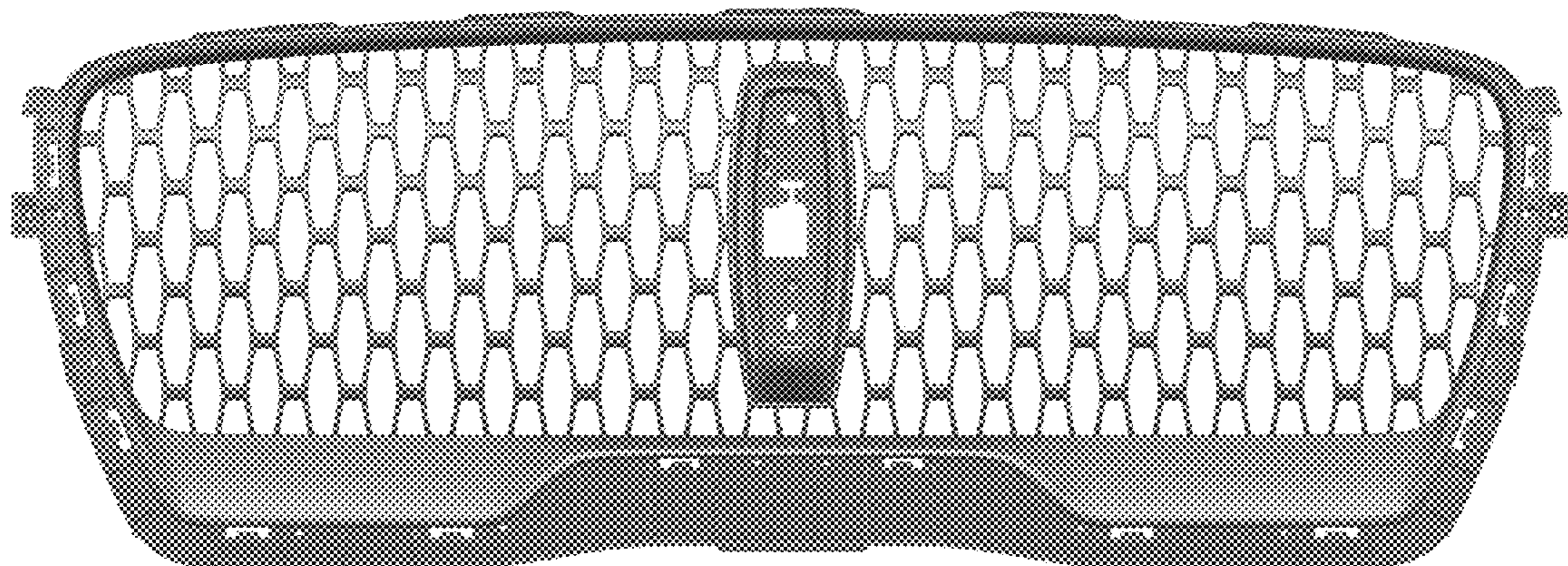
(57) **CLAIM**

The ornamental design for a vehicle front upper grille, as shown and described.

DESCRIPTION

FIG. 1 is a front elevational view of a vehicle front upper grille, showing our new design;
FIG. 2 is a left side elevational view thereof;
FIG. 3 is a right side elevational view thereof;
FIG. 4 is a top plan view thereof;
FIG. 5 is a bottom plan view thereof.
FIG. 6 is a top, front and left side perspective view thereof;
and
FIG. 7 is a bottom, front and left side perspective view thereof.
FIG. 8 is a front elevational view of a second embodiment of a vehicle front upper grille, showing our new design; and,
FIG. 9 is a bottom, front and left side perspective view thereof.
All other views of the second embodiment as shown in the FIGS. 2-5 drawing views of the first embodiment are the same in appearance.

1 Claim, 9 Drawing Sheets



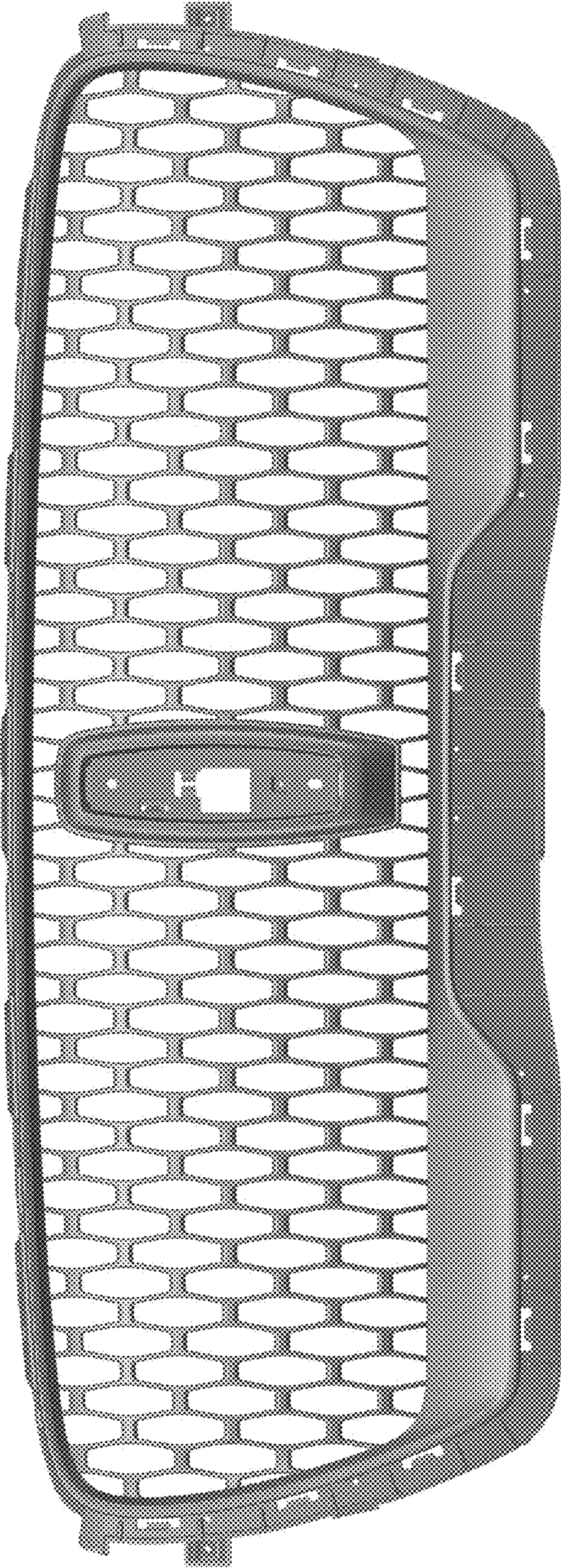


Fig. 1

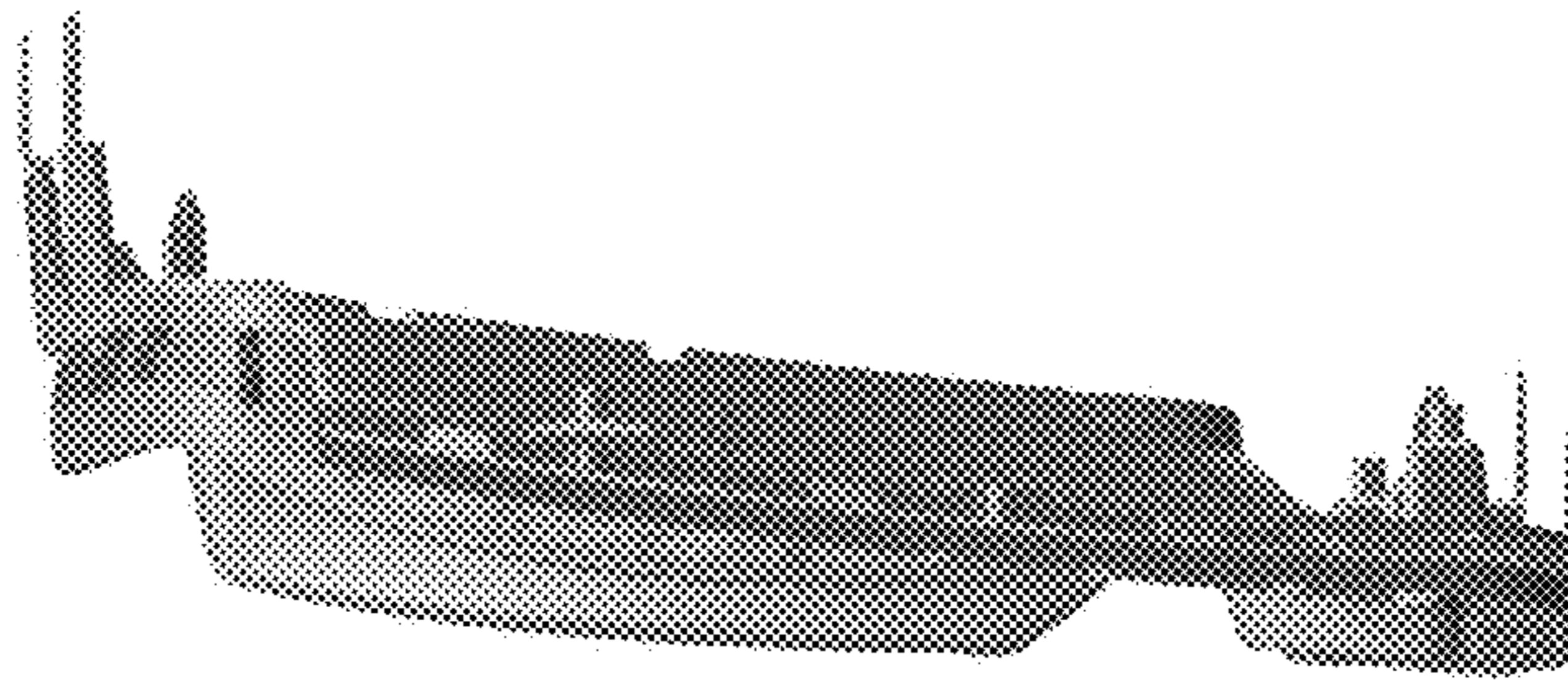


Fig. 2

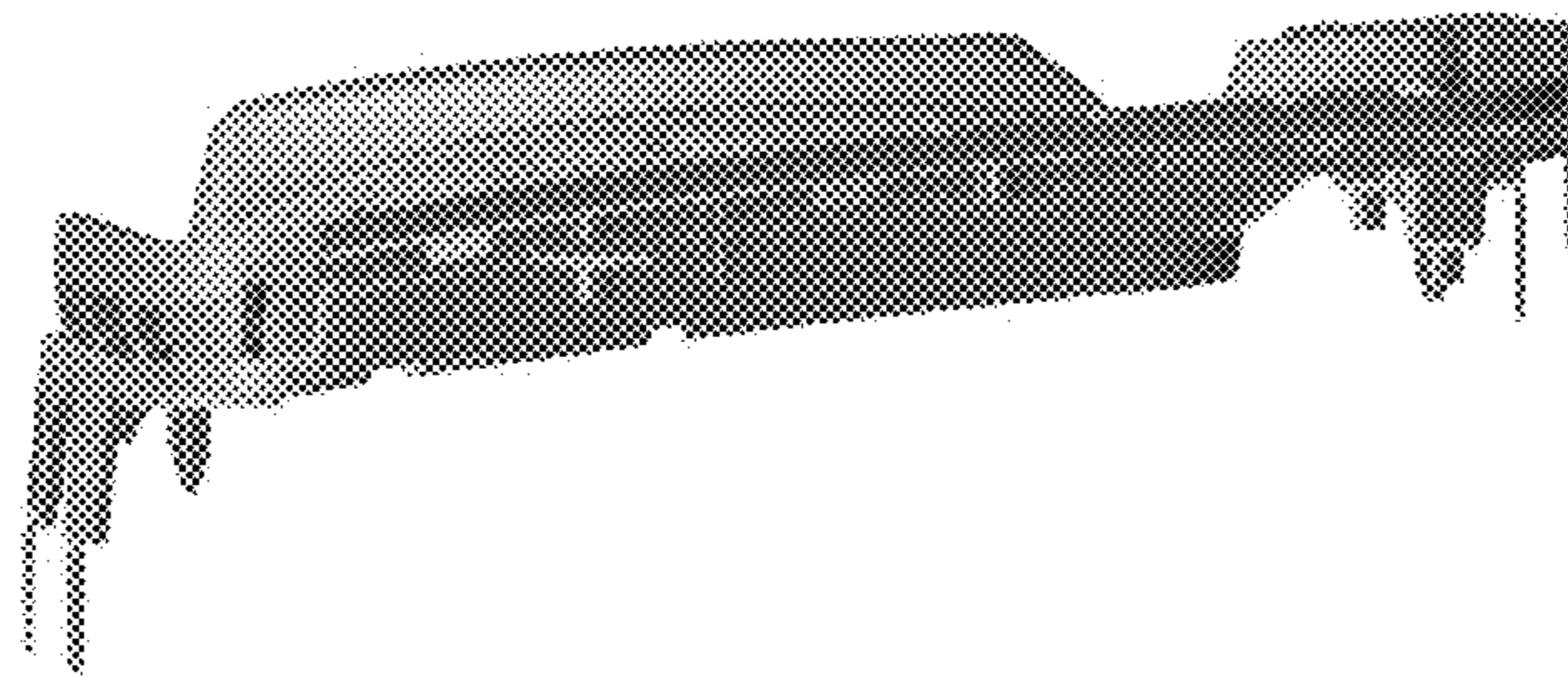


Fig. 3

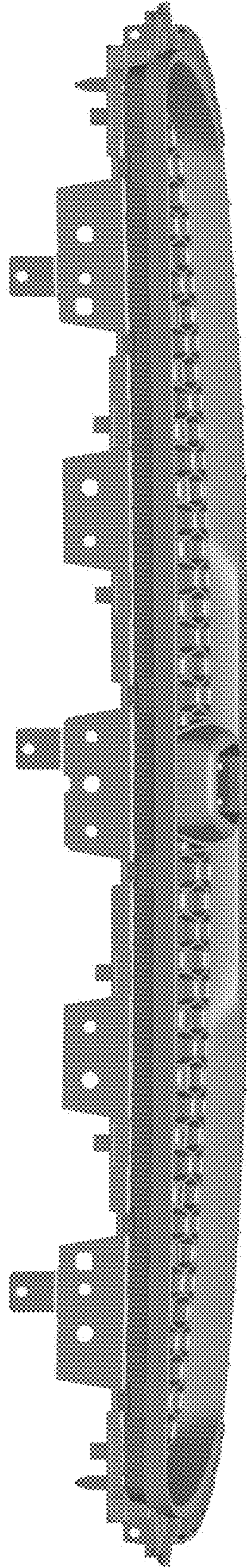
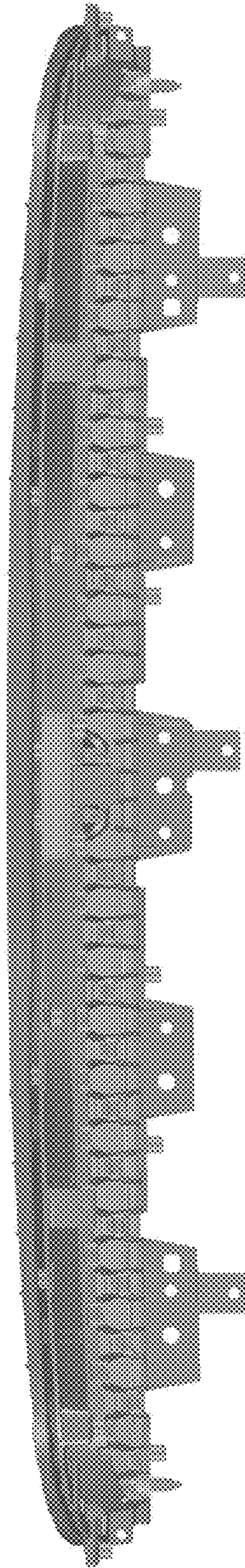


Fig. 4

Fig. 5



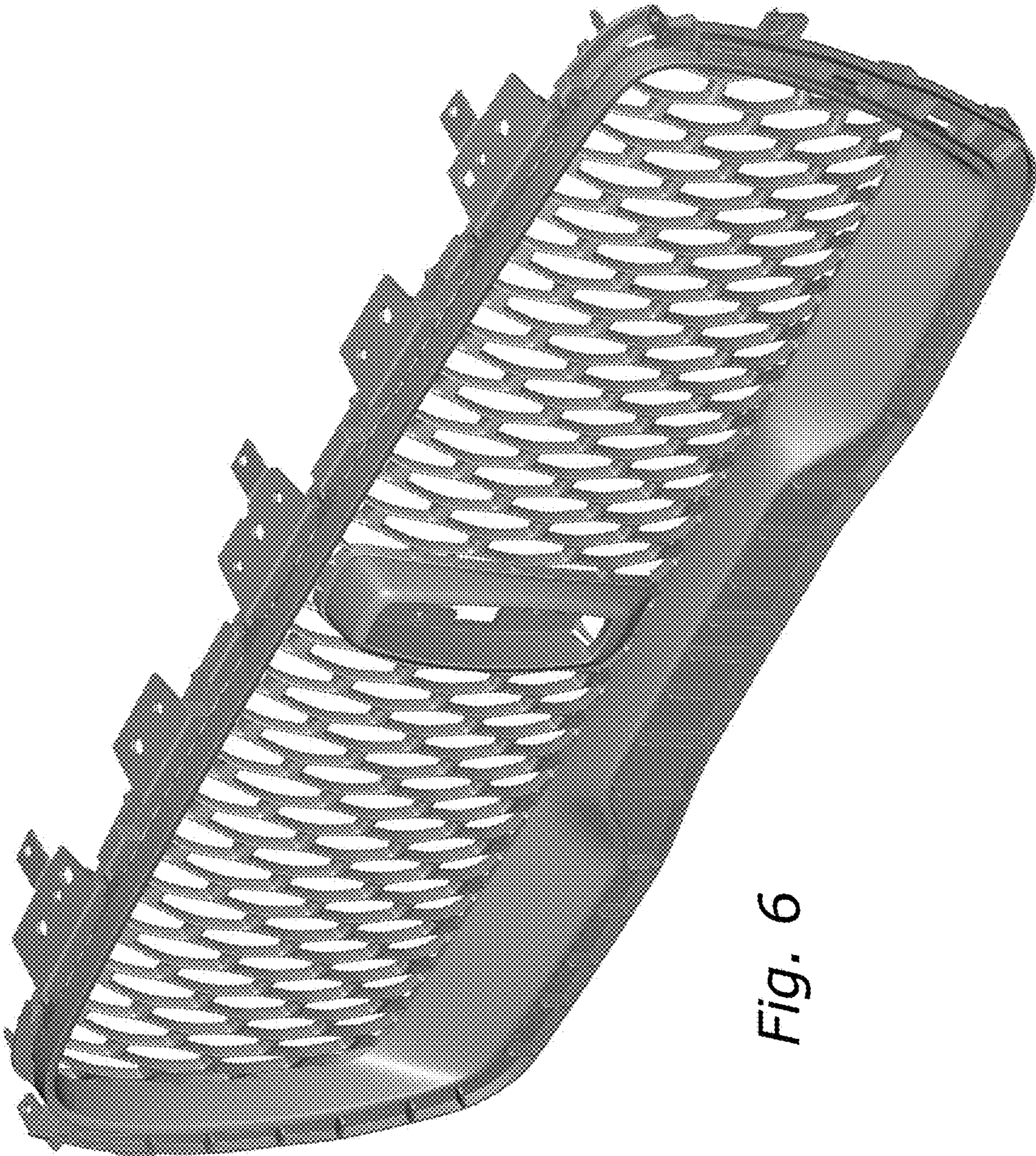


Fig. 6

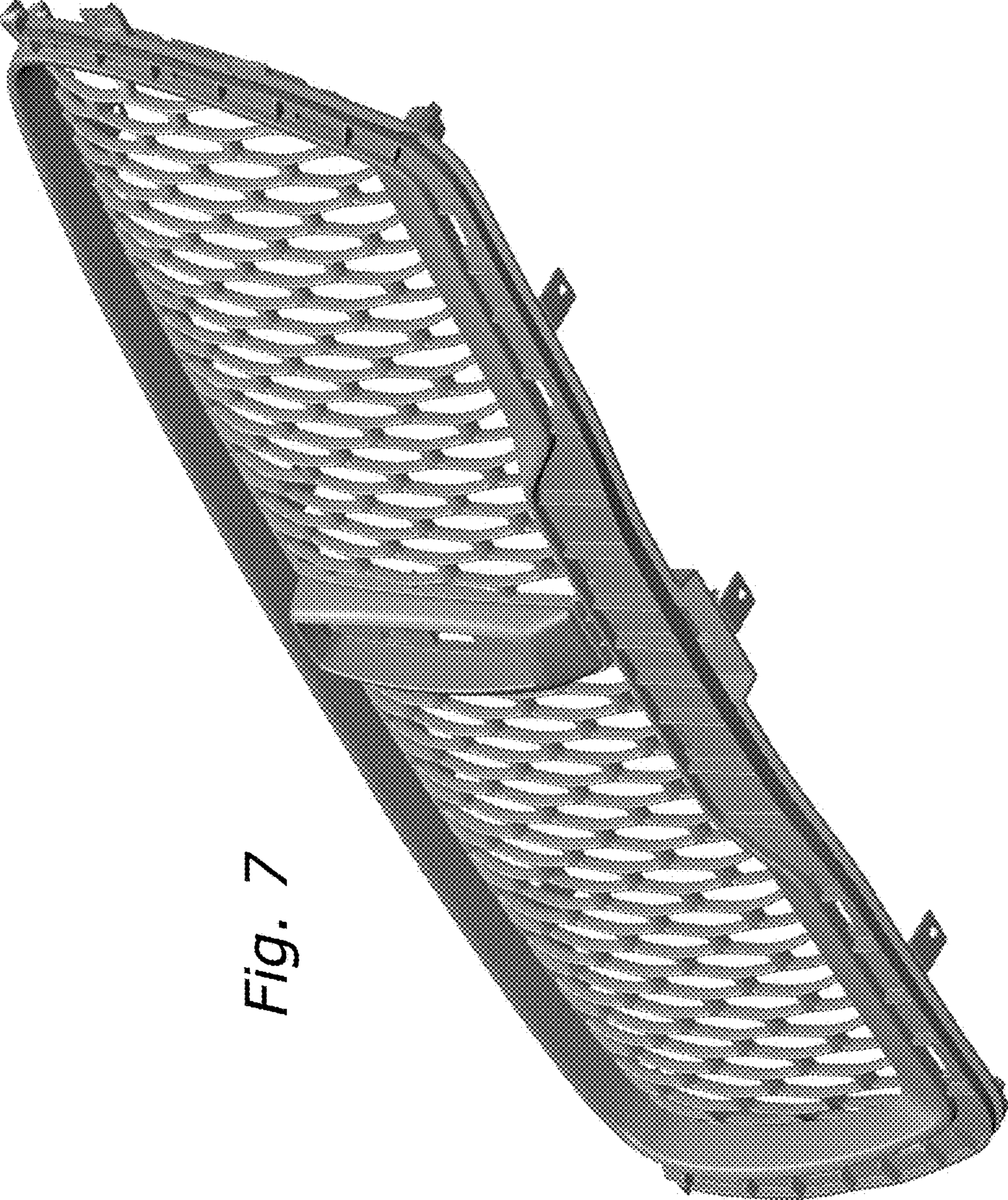


Fig. 7

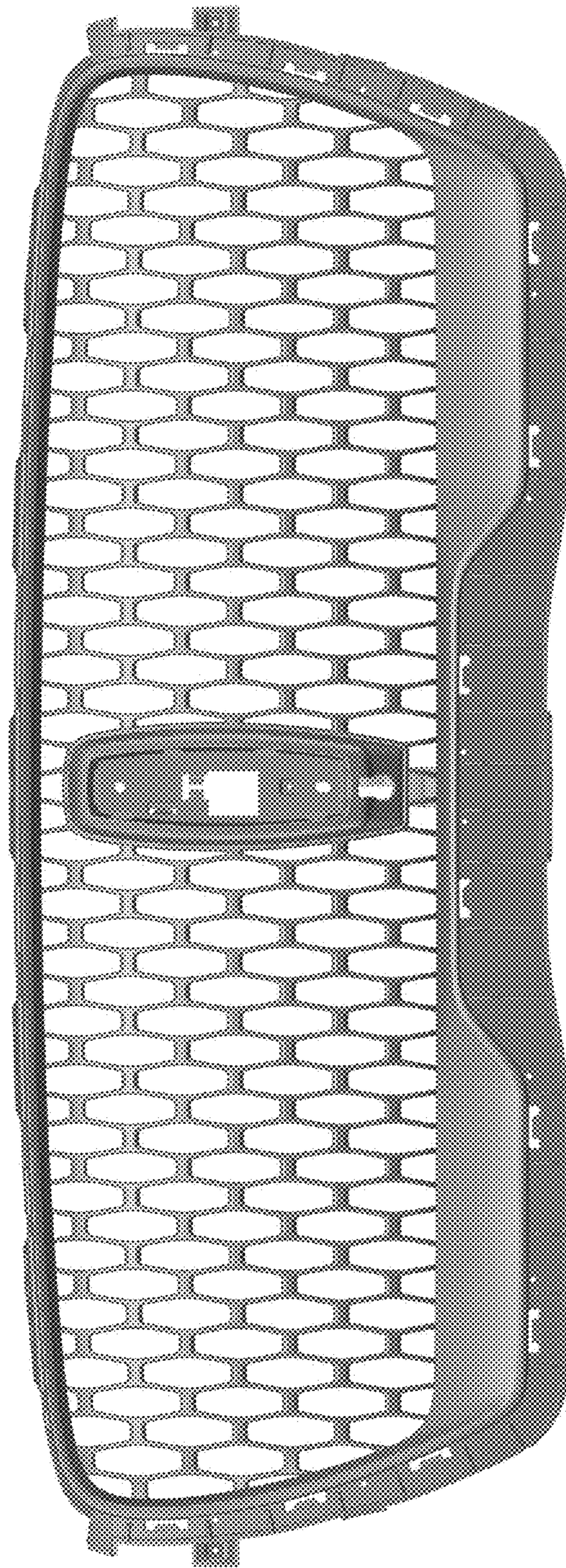


Fig. 8

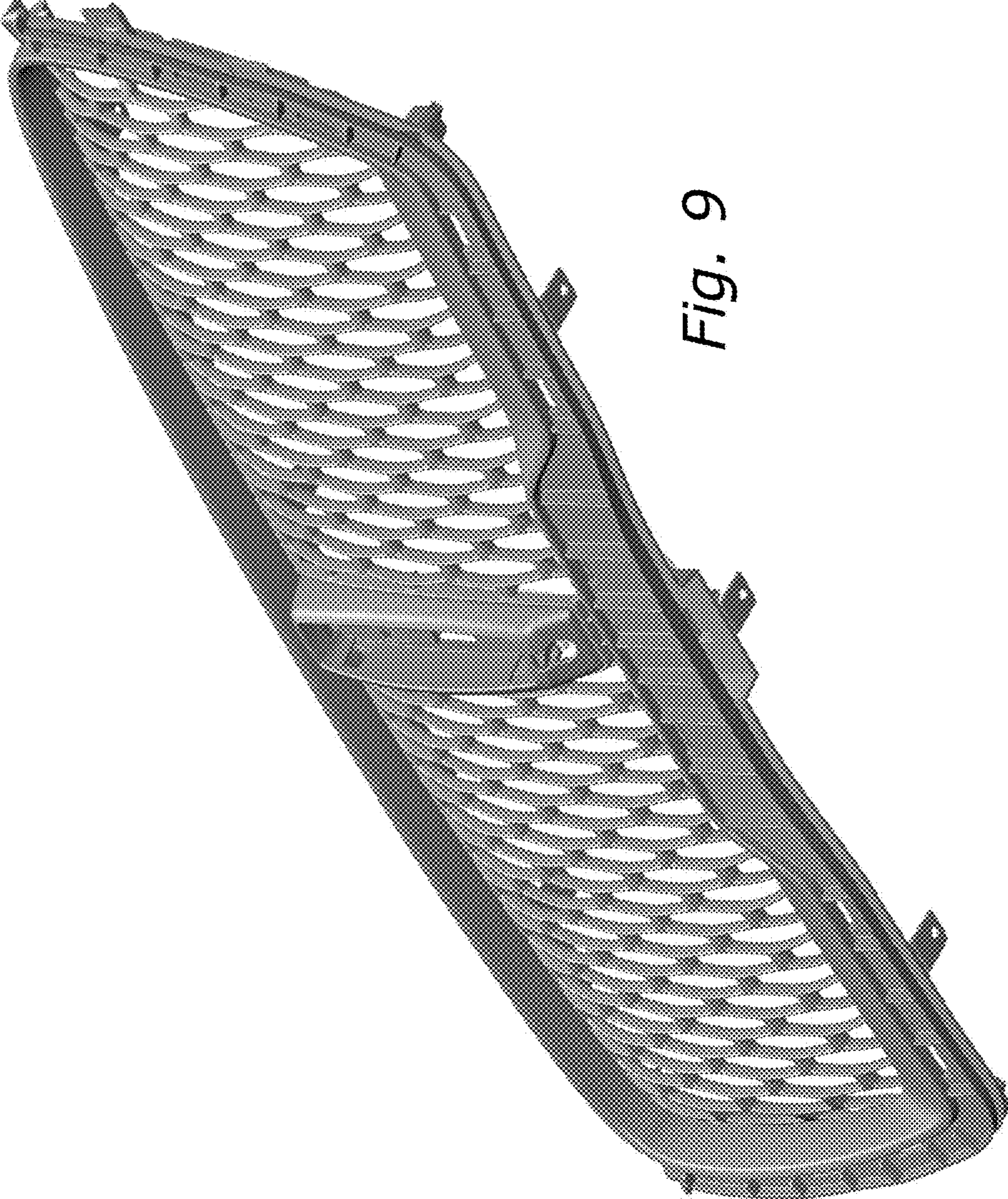


Fig. 9