



US00D850983S

(12) **United States Design Patent**  
**Zhu**

(10) **Patent No.:** **US D850,983 S**  
(45) **Date of Patent:** **\*\* Jun. 11, 2019**

- (54) **ELECTRIC BICYCLE**
- (71) Applicant: **Changzhou Sobowo Import And Export Co., Ltd, Changzhou (CN)**
- (72) Inventor: **Zhanyu Zhu, Changzhou (CN)**
- (73) Assignee: **Changzhou Sobowo Import And Export Co., Ltd, Changzhou (CN)**
- (\*\*) Term: **15 Years**
- (21) Appl. No.: **29/616,510**
- (22) Filed: **Sep. 6, 2017**
- (30) **Foreign Application Priority Data**

May 15, 2017 (CN) ..... 2017 3 0177121

- (51) **LOC (11) Cl.** ..... **12-11**
- (52) **U.S. Cl.**  
USPC ..... **D12/111**

- (58) **Field of Classification Search**  
USPC ..... D12/111, 117, 406, 407  
CPC . B62K 3/00; B62K 3/005; B62K 9/00; B62K 19/00; B62K 19/02; B62K 19/04; B62K 19/06; B62K 19/16  
See application file for complete search history.

(56) **References Cited**

**U.S. PATENT DOCUMENTS**

D294,338 S *	2/1988	Yamada	.....	D12/110
D389,787 S *	1/1998	Zeigle	.....	D12/111
D406,253 S *	3/1999	Yamashita	.....	D12/110
D419,492 S *	1/2000	Egger	.....	D12/111
D430,070 S *	8/2000	Kciuk	.....	D12/111
D516,469 S *	3/2006	Reinke	.....	D12/111

7,963,357 B2 *	6/2011	Gulas	.....	B62K 25/283 180/206.5
D670,208 S *	11/2012	Frenzel	.....	D12/111
D685,683 S *	7/2013	Shaw	.....	D12/111
D686,540 S *	7/2013	Hinderhofer	.....	D12/111
D694,156 S *	11/2013	Taipalus	.....	D12/111
D741,221 S *	10/2015	Haller	.....	D12/111
D752,264 S *	3/2016	Talios	.....	D26/28
D797,609 S *	9/2017	Gonzalez-Gancedo Carrillo-Albornoz	.....	D12/111
2010/0314187 A1 *	12/2010	Chen	.....	B62M 6/60 180/206.5
2013/0001000 A1 *	1/2013	Krieger	.....	B62M 6/45 180/206.3

\* cited by examiner

*Primary Examiner* — Darlington Ly

(74) *Attorney, Agent, or Firm* — Zhihua Han

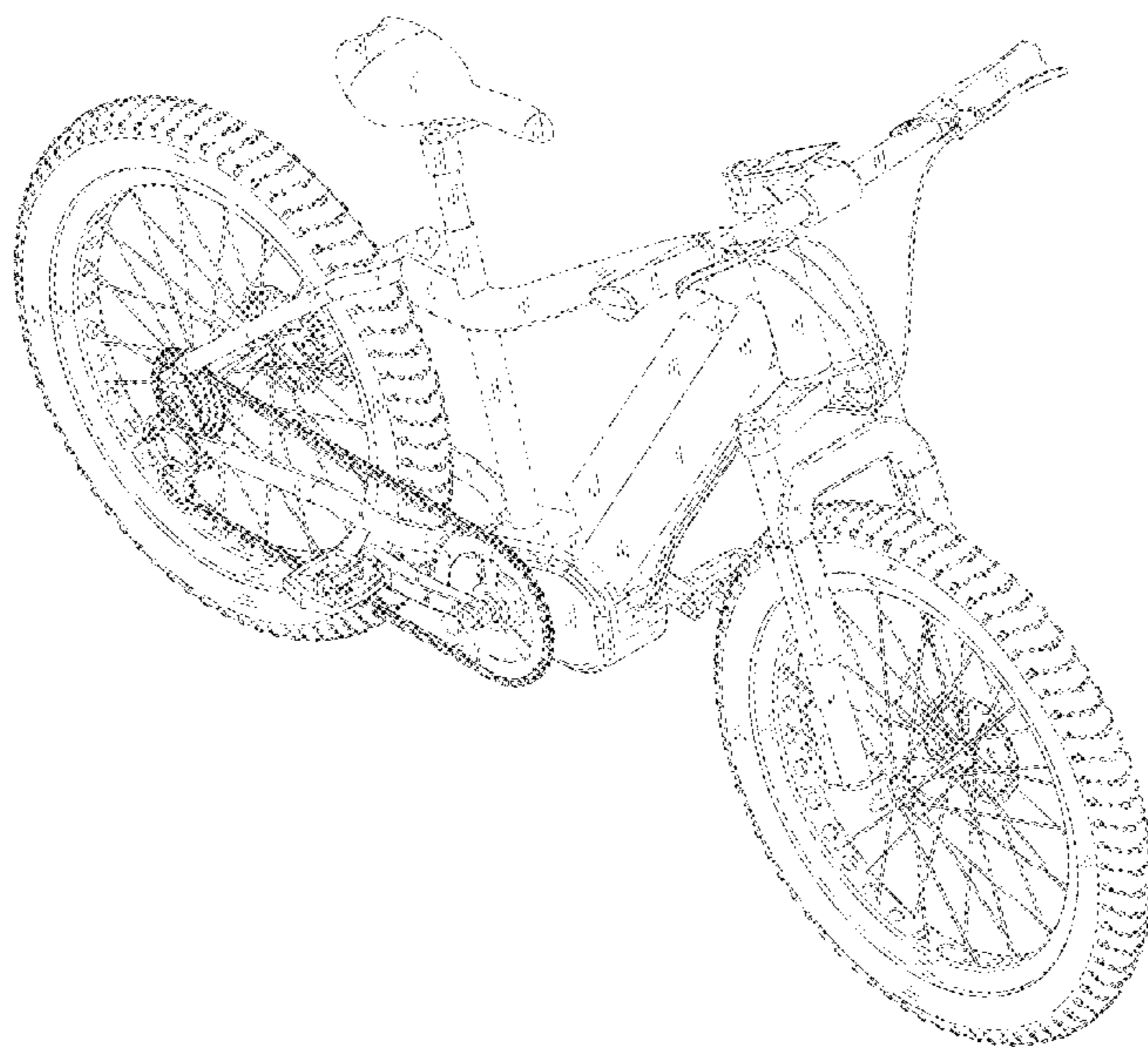
(57) **CLAIM**

The ornamental design for an electric bicycle, as shown.

**DESCRIPTION**

FIG. 1 is a left side elevational view of an electric bicycle showing my new design;  
 FIG. 2 is a right side elevational view thereof;  
 FIG. 3 is a top plan view thereof;  
 FIG. 4 is a bottom plan view thereof;  
 FIG. 5 is a rear elevational view thereof;  
 FIG. 6 is a front elevational view thereof;  
 FIG. 7 is a top, rear, and right side perspective view thereof;  
 FIG. 8 is a top, rear, and left side perspective view thereof;  
 FIG. 9 is a top, front, and left side perspective view thereof;  
 and,  
 FIG. 10 is a top, rear, and right side perspective view thereof.

**1 Claim, 10 Drawing Sheets**



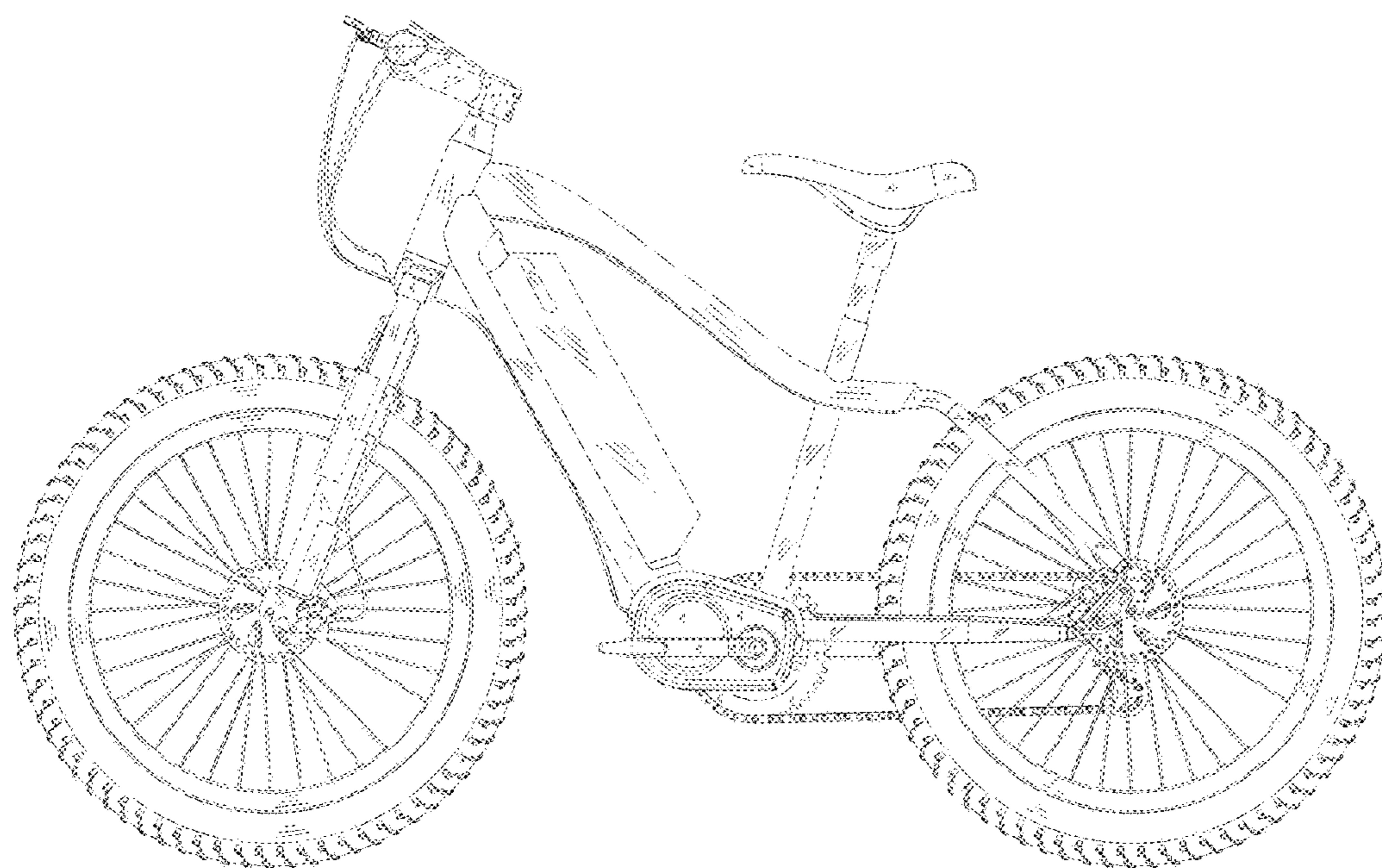


FIG. 1

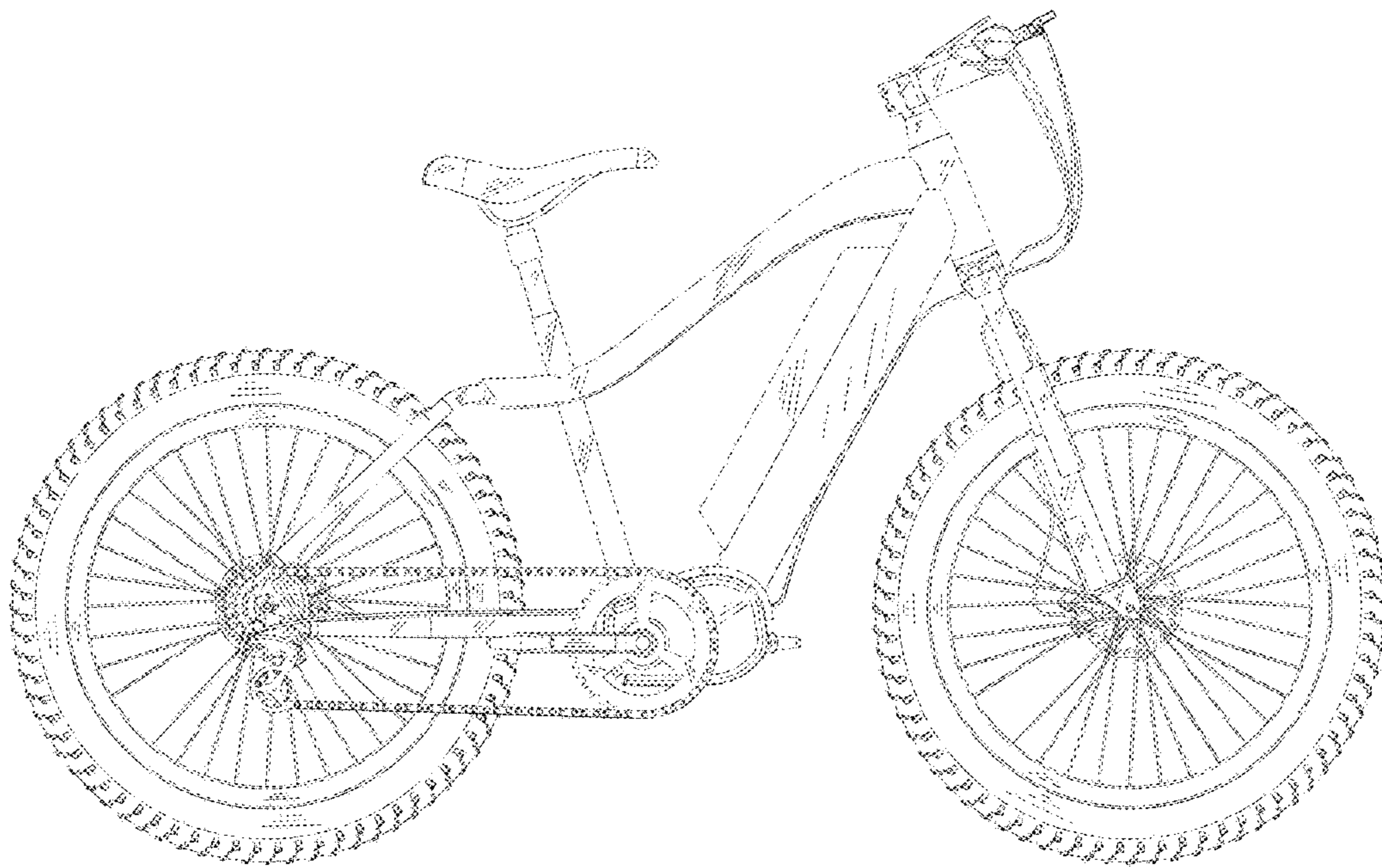


FIG. 2



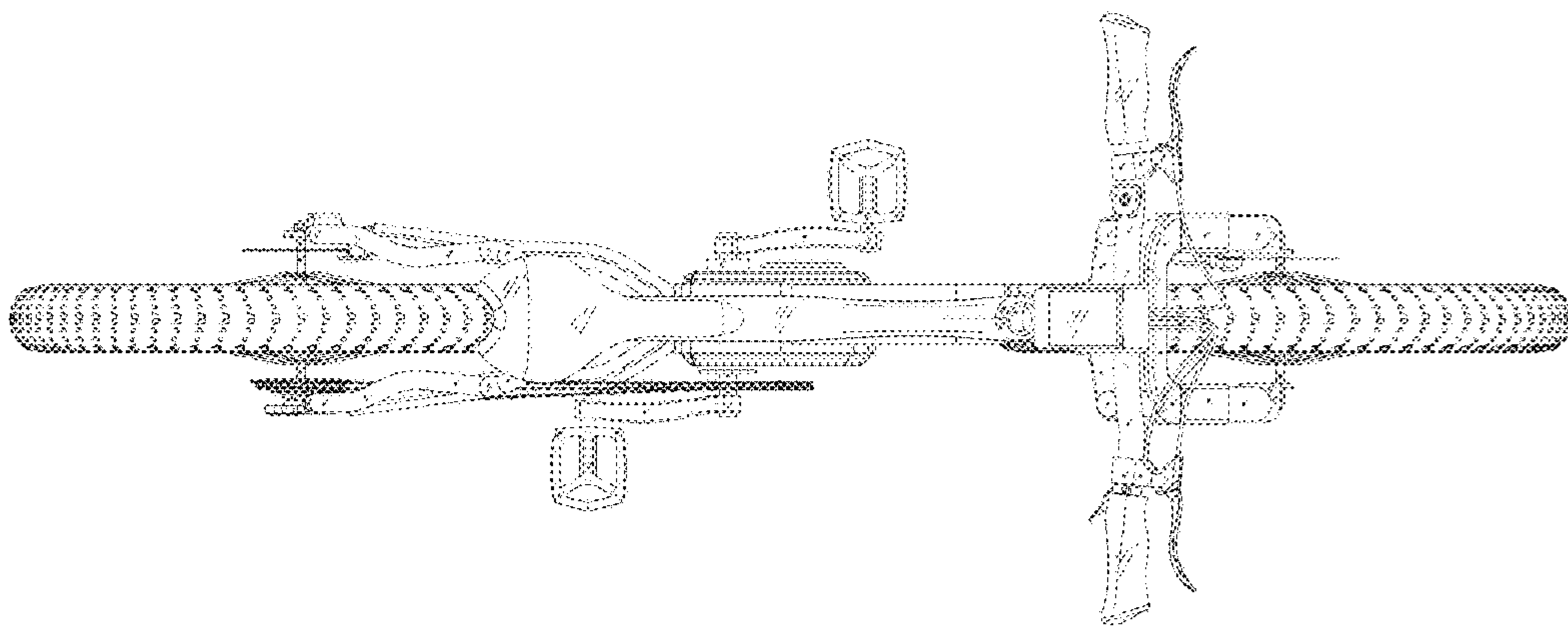


FIG. 3

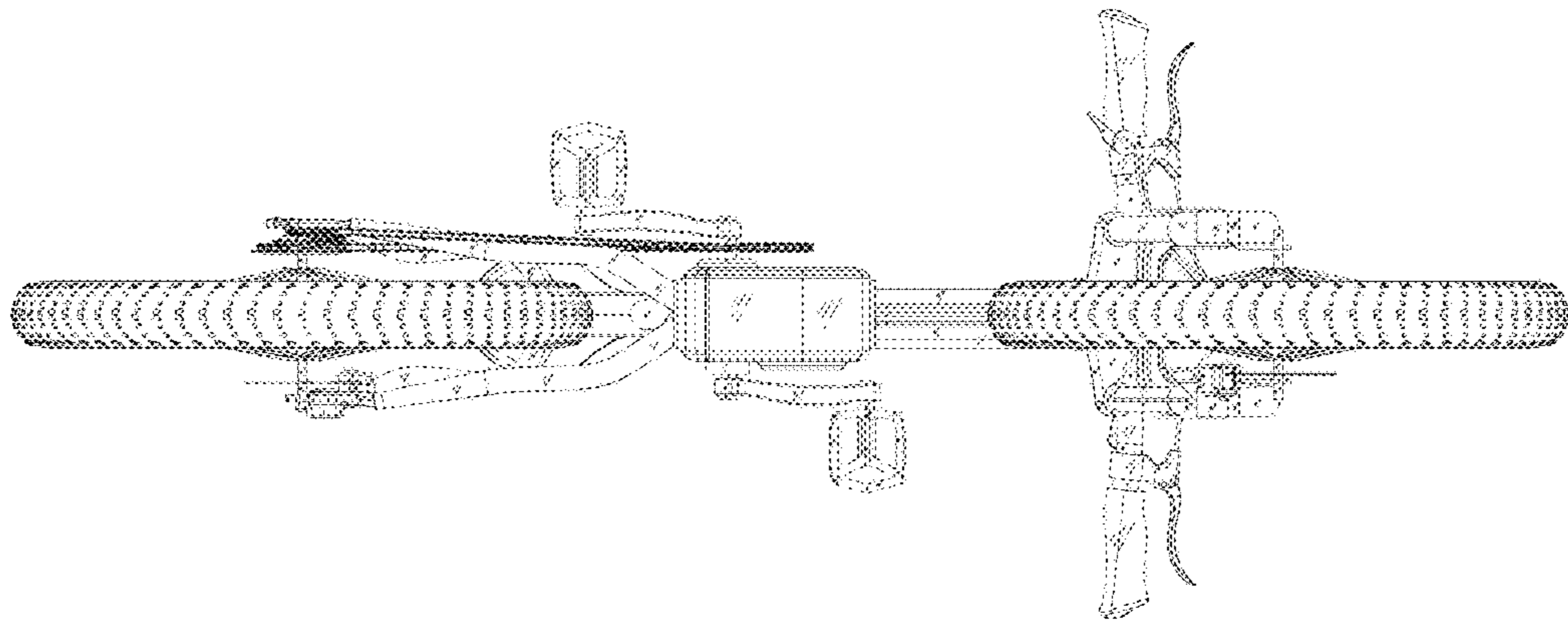


FIG. 4

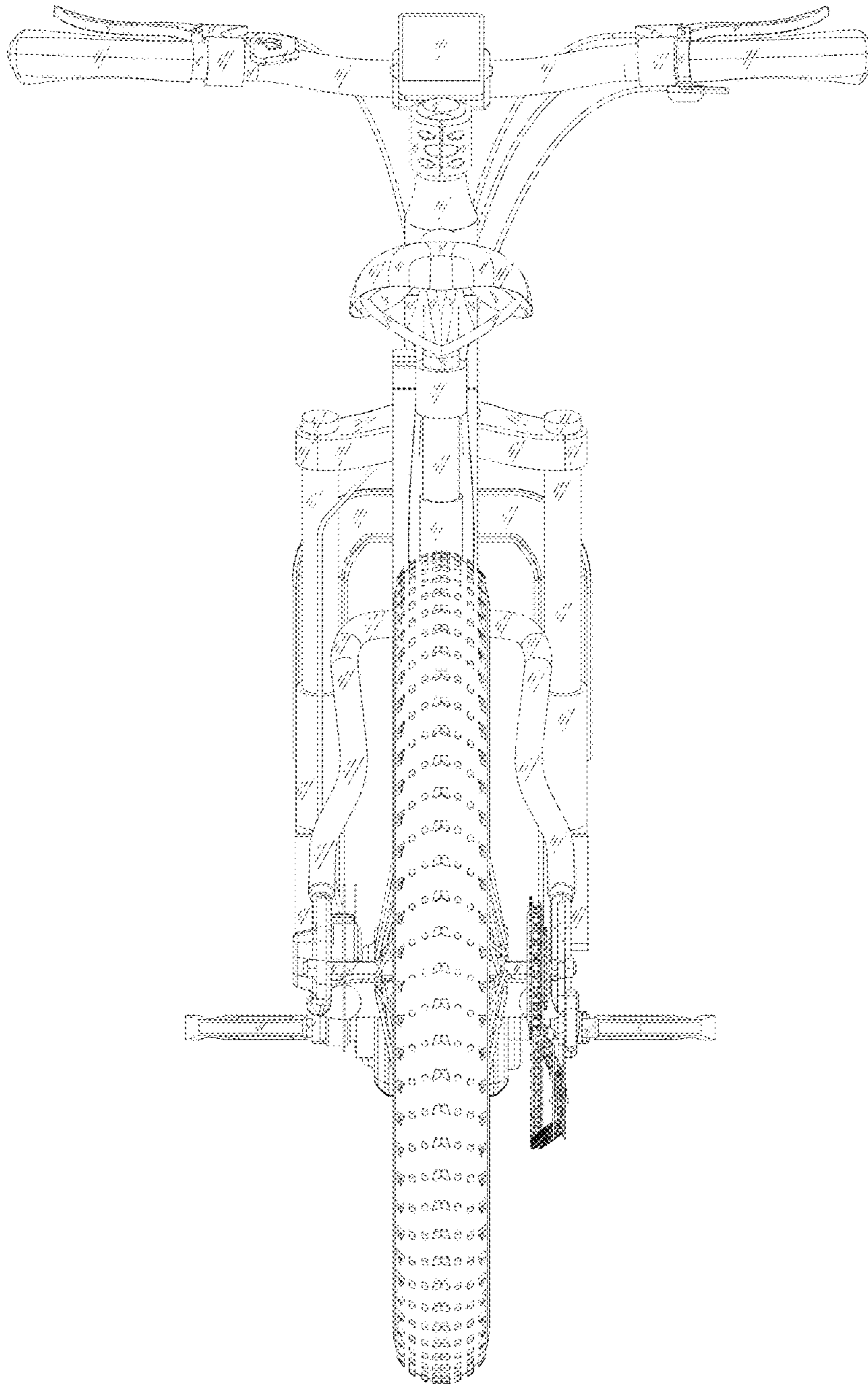


FIG. 5

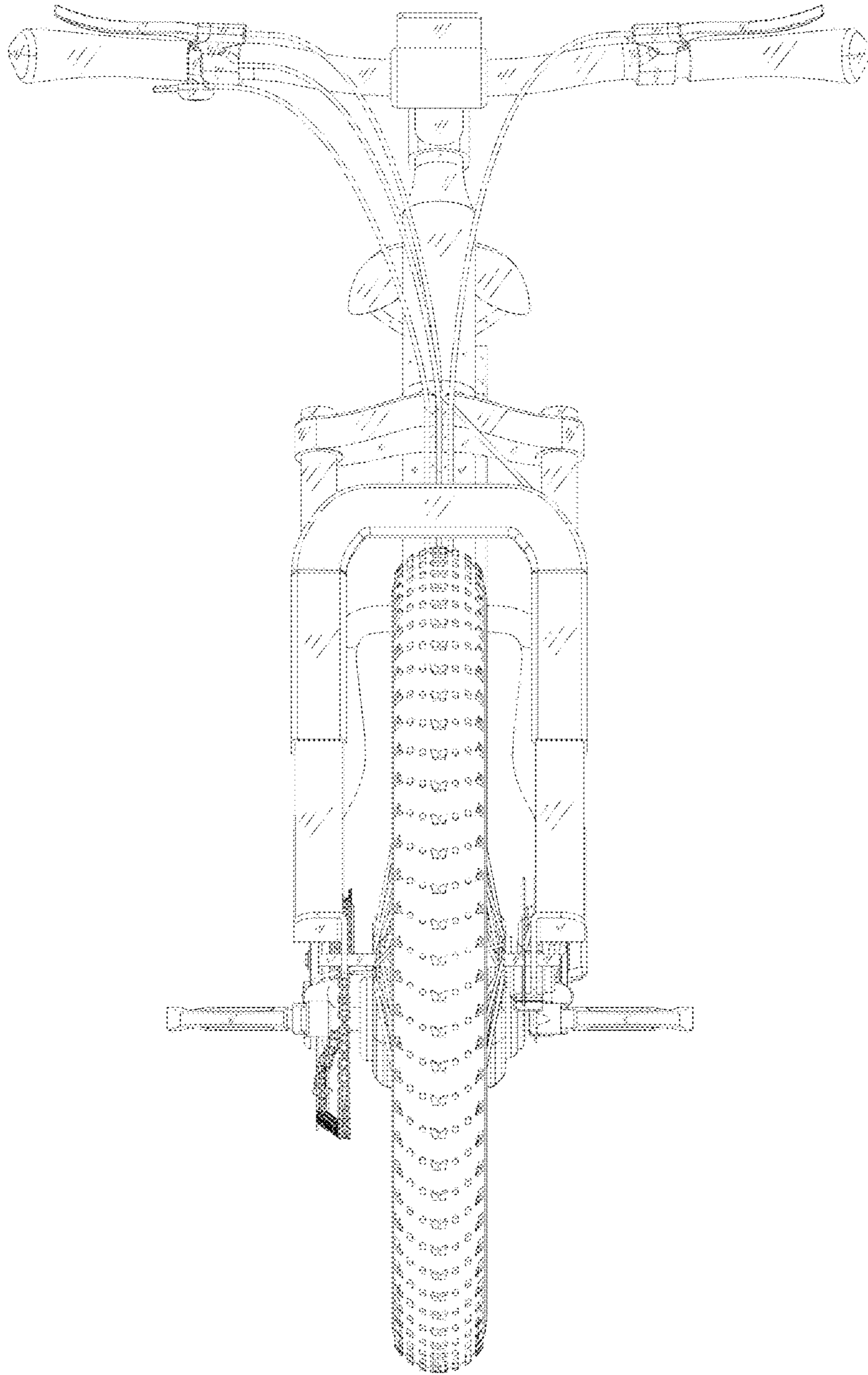


FIG. 6

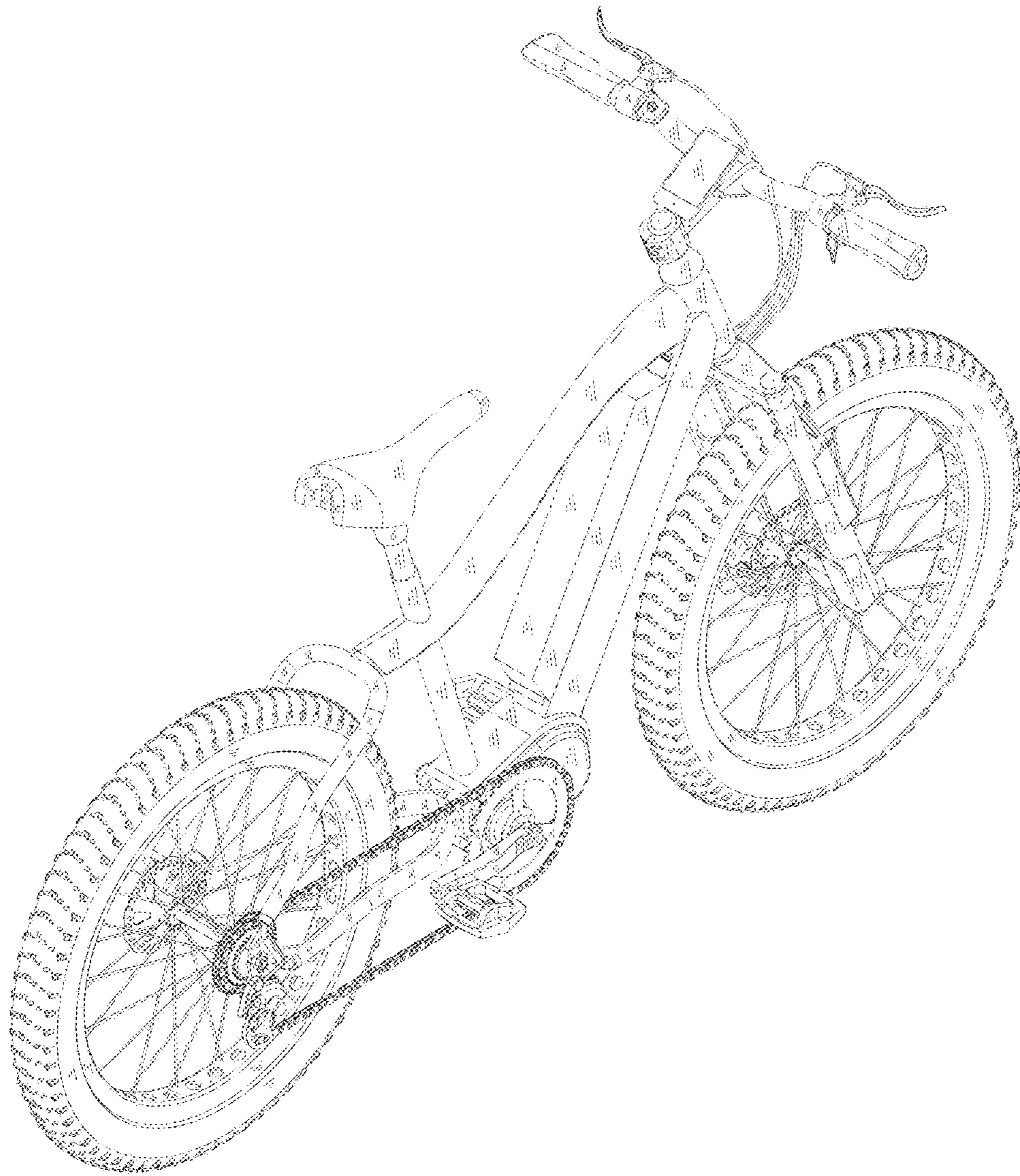


FIG. 7



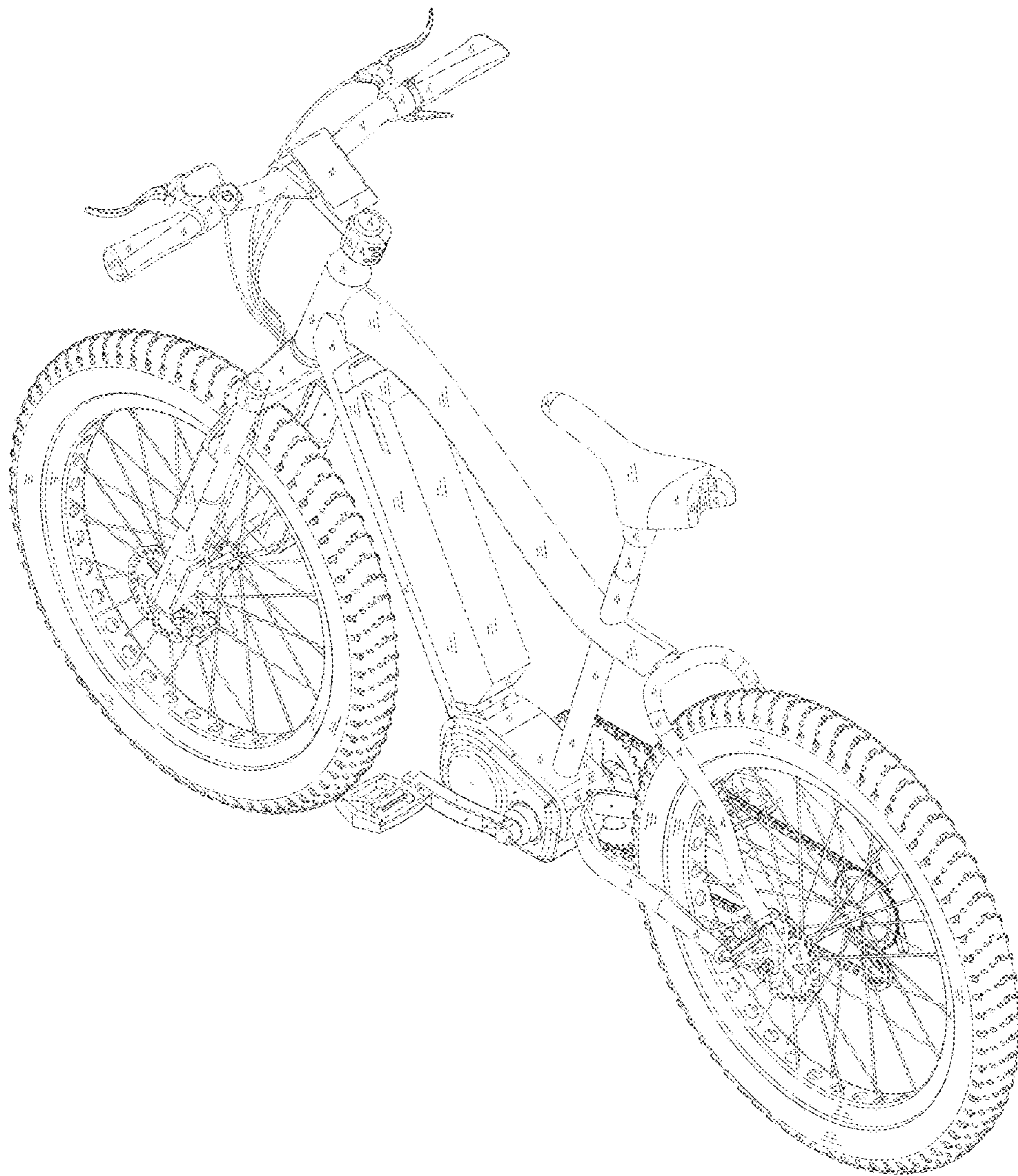


FIG. 8



FIG. 9



FIG. 10