



US00D850982S

(12) **United States Design Patent**
Zhu

(10) **Patent No.:** **US D850,982 S**
(45) **Date of Patent:** **** Jun. 11, 2019**

- (54) **ELECTRIC BICYCLE**
- (71) Applicant: **Changzhou Sobowo Import And Export Co., Ltd.**, Changzhou (CN)
- (72) Inventor: **Zhanyu Zhu**, Changzhou (CN)
- (73) Assignee: **Changzhou Sobowo Import And Export Co., Ltd.**, Changzhou (CN)
- (**) Term: **15 Years**
- (21) Appl. No.: **29/616,505**
- (22) Filed: **Sep. 6, 2017**
- (51) **LOC (11) Cl.** **12-11**
- (52) **U.S. Cl.**
USPC **D12/111**
- (58) **Field of Classification Search**
USPC D12/111, 117, 406, 407
CPC . B62K 3/00; B62K 3/005; B62K 9/00; B62K 19/00; B62K 19/02; B62K 19/04; B62K 19/06; B62K 19/16
See application file for complete search history.

- D685,683 S * 7/2013 Shaw D12/111
- D686,540 S * 7/2013 Hinderhofer D12/111
- D694,156 S * 11/2013 Taipalus D12/111
- D741,221 S * 10/2015 Haller D12/111
- D752,264 S * 3/2016 Talios D26/28
- D797,609 S * 9/2017 Gonzalez-Gancedo Carrillo-Albornoz D12/111
- 2010/0314187 A1 * 12/2010 Chen B62M 6/60 180/206.5
- 2013/0001000 A1 * 1/2013 Krieger B62M 6/45 180/206.3

* cited by examiner

Primary Examiner — Darlington Ly

(74) *Attorney, Agent, or Firm* — Zhihua Han

(57) **CLAIM**

The ornamental design for an electric bicycle, as shown.

DESCRIPTION

FIG. 1 is a left side elevational view of an electric bicycle showing my new design;
 FIG. 2 is a right side elevational view thereof;
 FIG. 3 is a top plan view thereof;
 FIG. 4 is a bottom plan view thereof;
 FIG. 5 is a rear elevational view thereof;
 FIG. 6 is a front elevational view thereof;
 FIG. 7 is a top, rear, and right side perspective view thereof;
 FIG. 8 is a top, rear, and left side perspective view thereof;
 FIG. 9 is a top, front, and left side perspective view thereof;
 and,
 FIG. 10 is a top, rear, and right side perspective view thereof.

1 Claim, 10 Drawing Sheets

(56) **References Cited**

U.S. PATENT DOCUMENTS

- D294,338 S * 2/1988 Yamada D12/110
- D389,787 S * 1/1998 Zeigle D12/111
- D406,253 S * 3/1999 Yamashita D12/110
- D419,492 S * 1/2000 Egger D12/111
- D430,070 S * 8/2000 Kciuk D12/111
- D516,469 S * 3/2006 Reinke D12/111
- 7,963,357 B2 * 6/2011 Gulas B62K 25/283 180/206.5
- D670,208 S * 11/2012 Frenzel D12/111

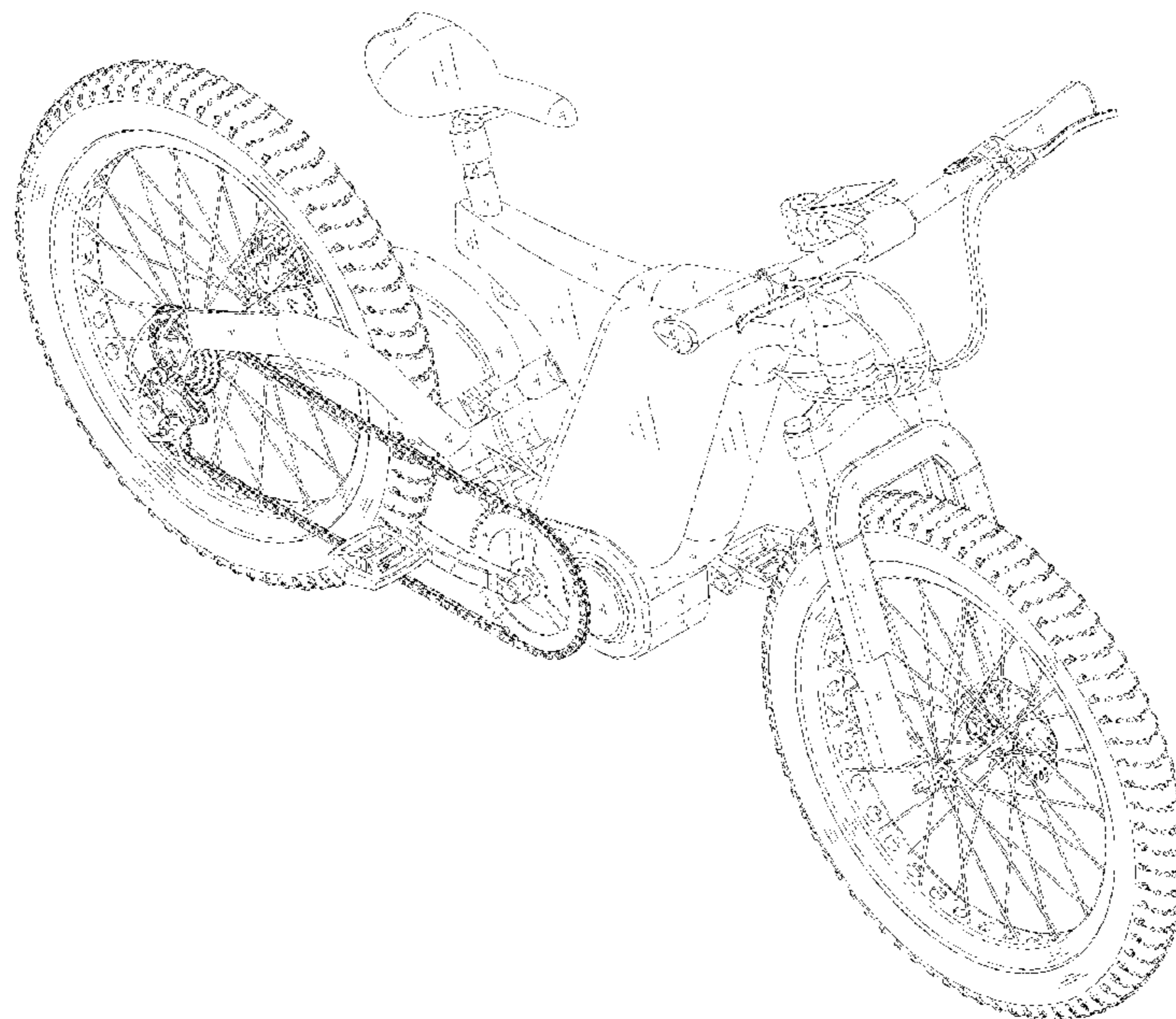


FIG. 1

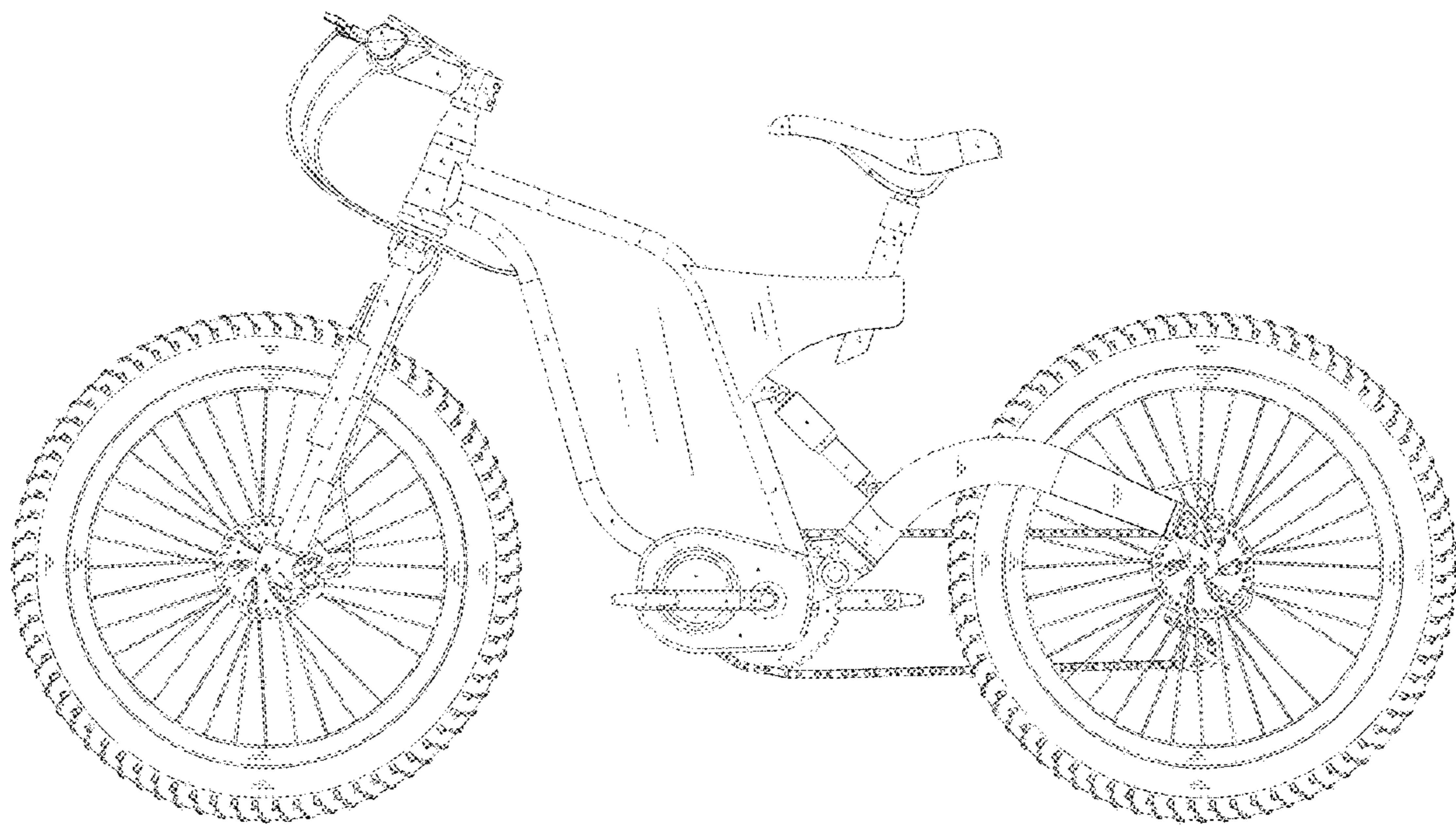


FIG. 2

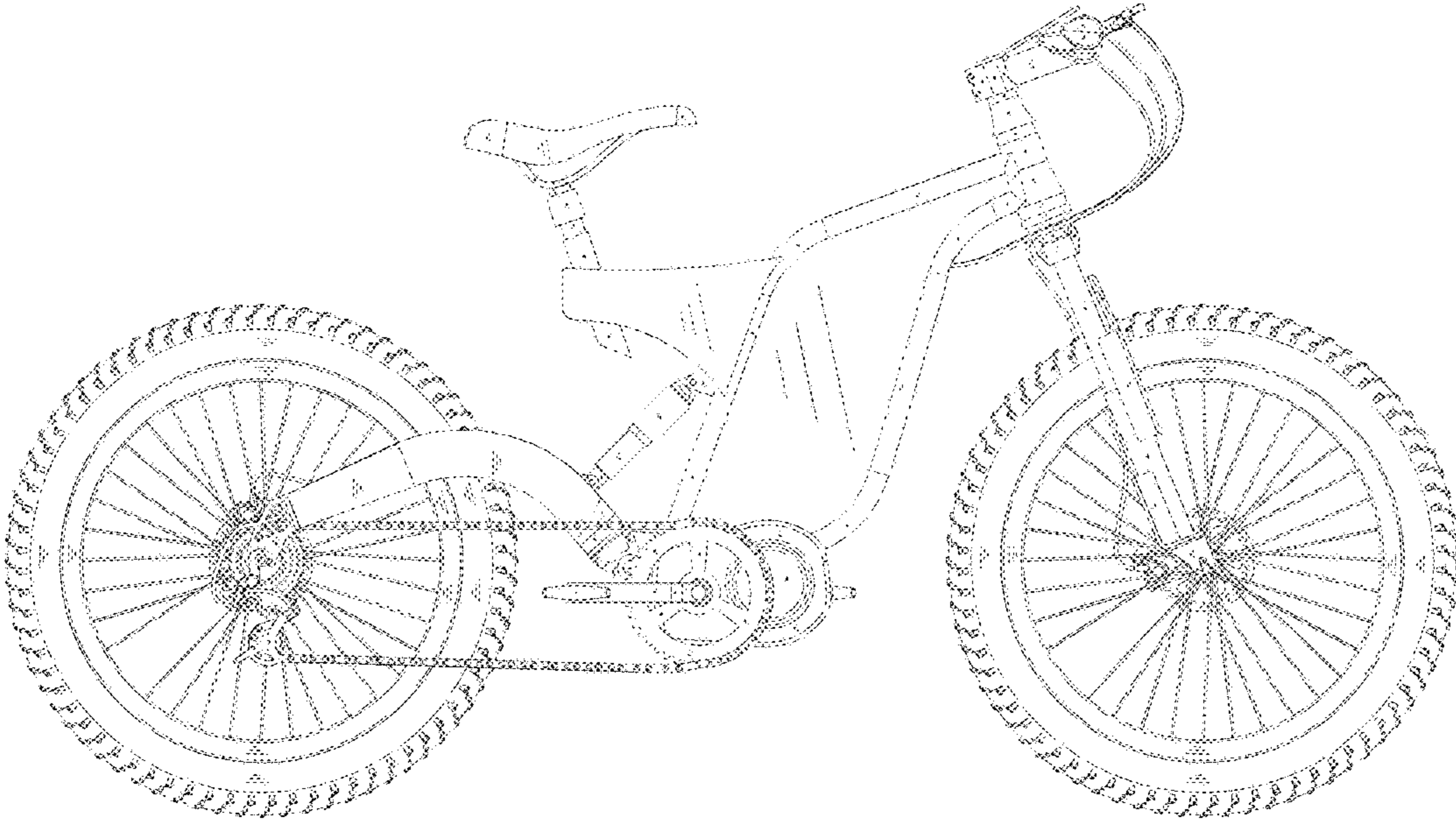


FIG. 3

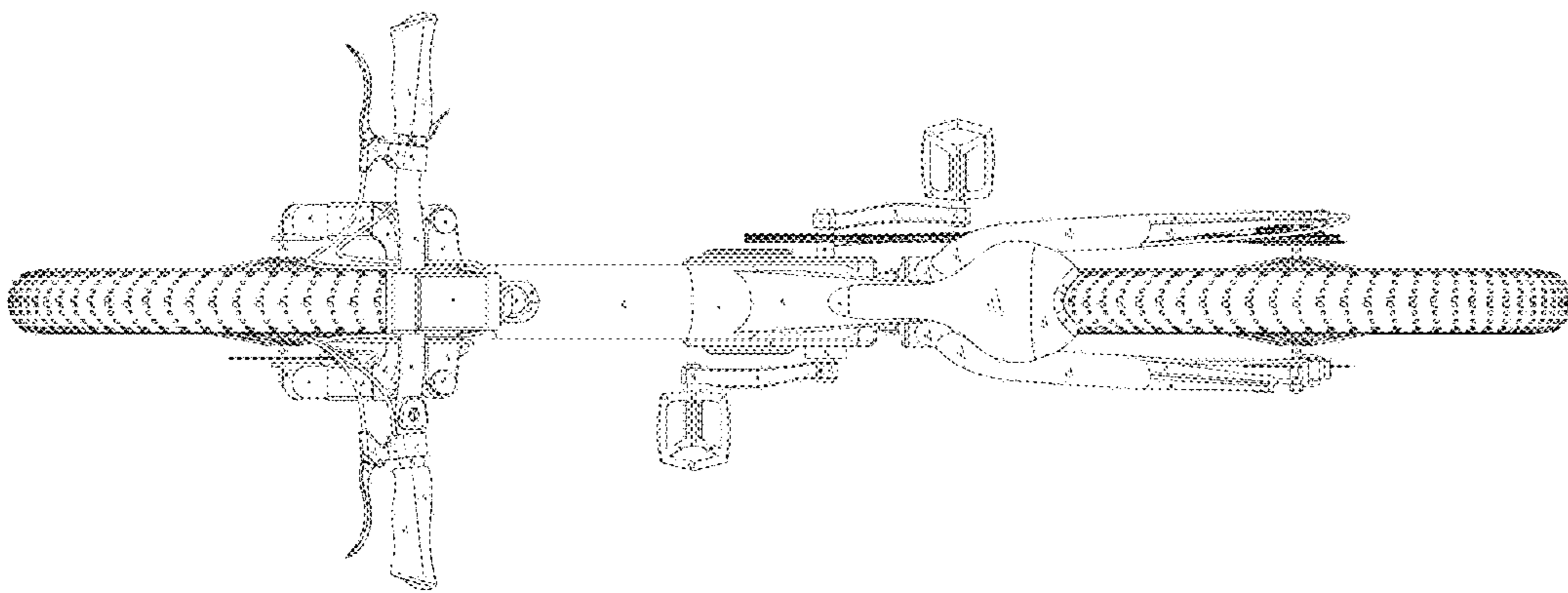


FIG. 4

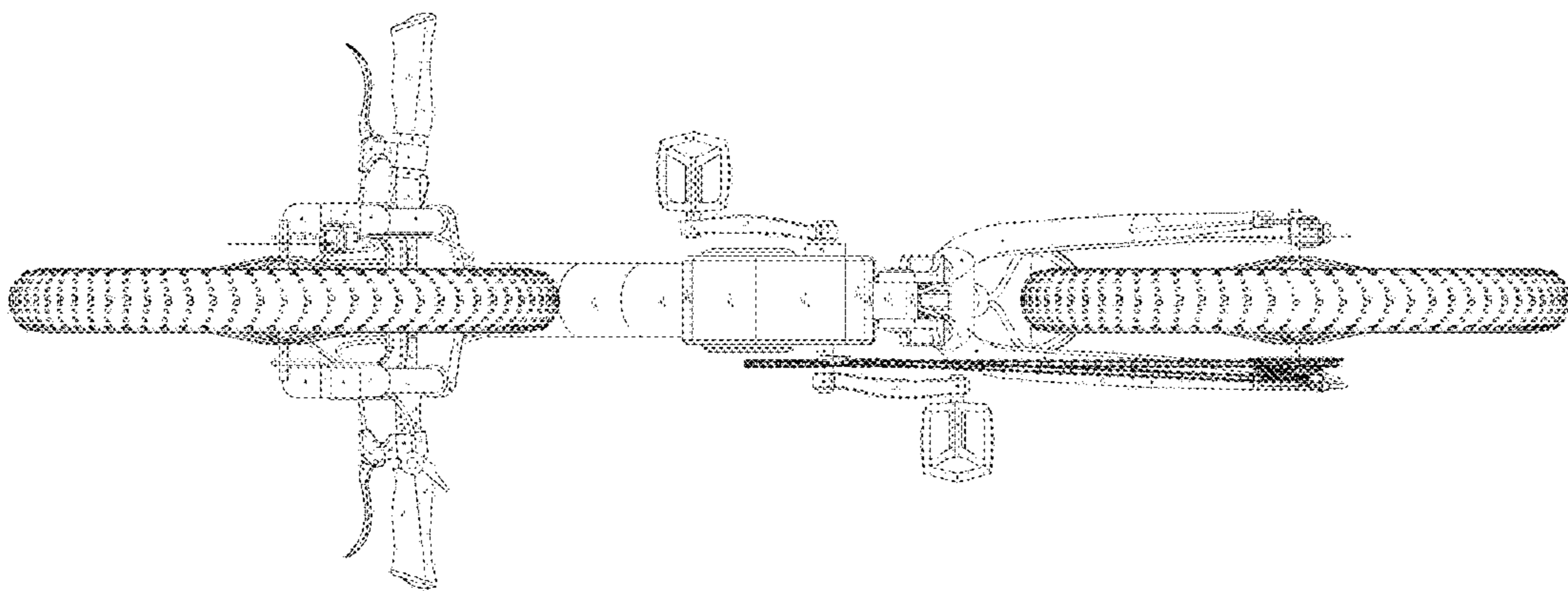


FIG. 5

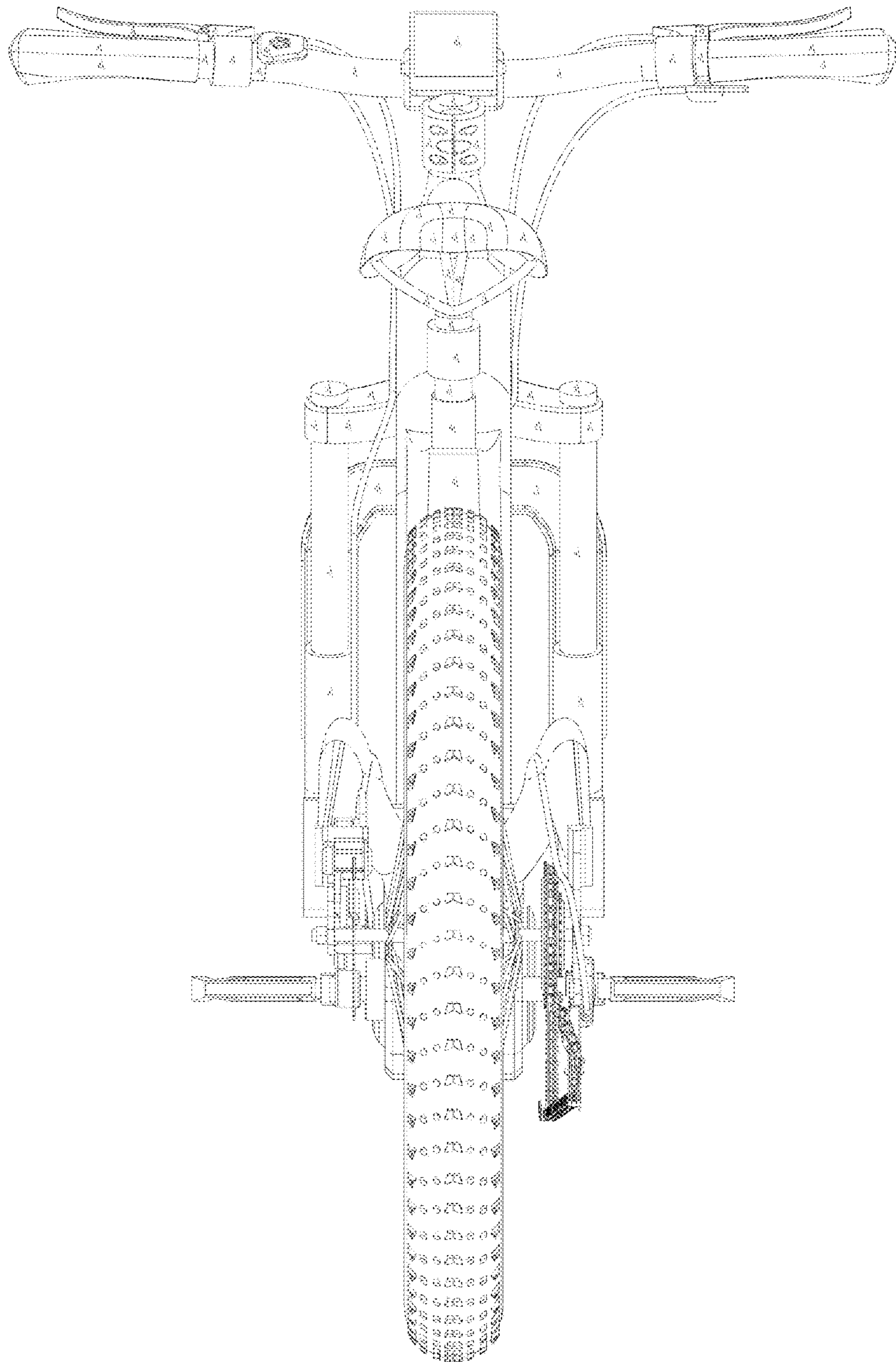


Fig. 6

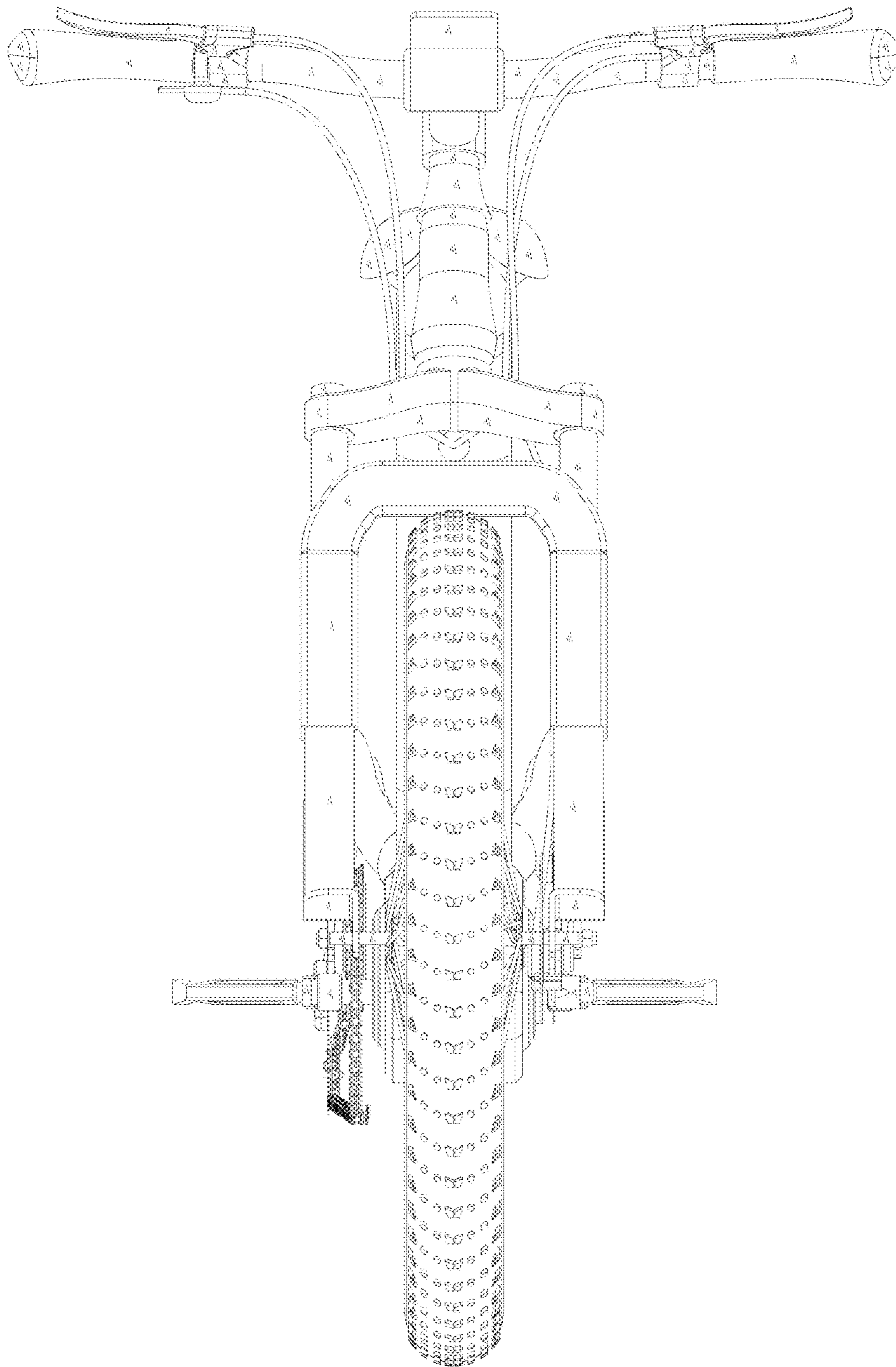


FIG. 7

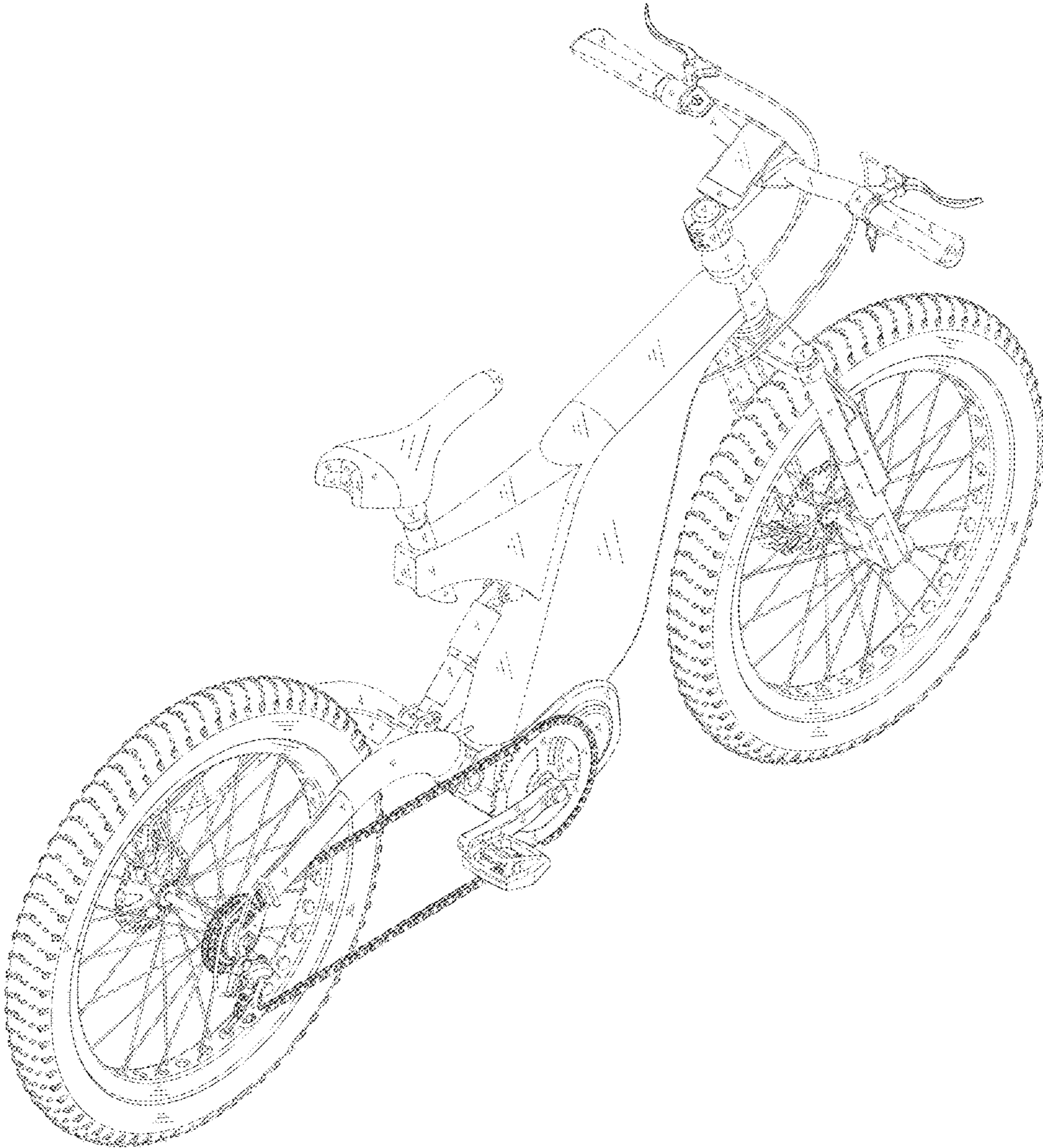


FIG. 8

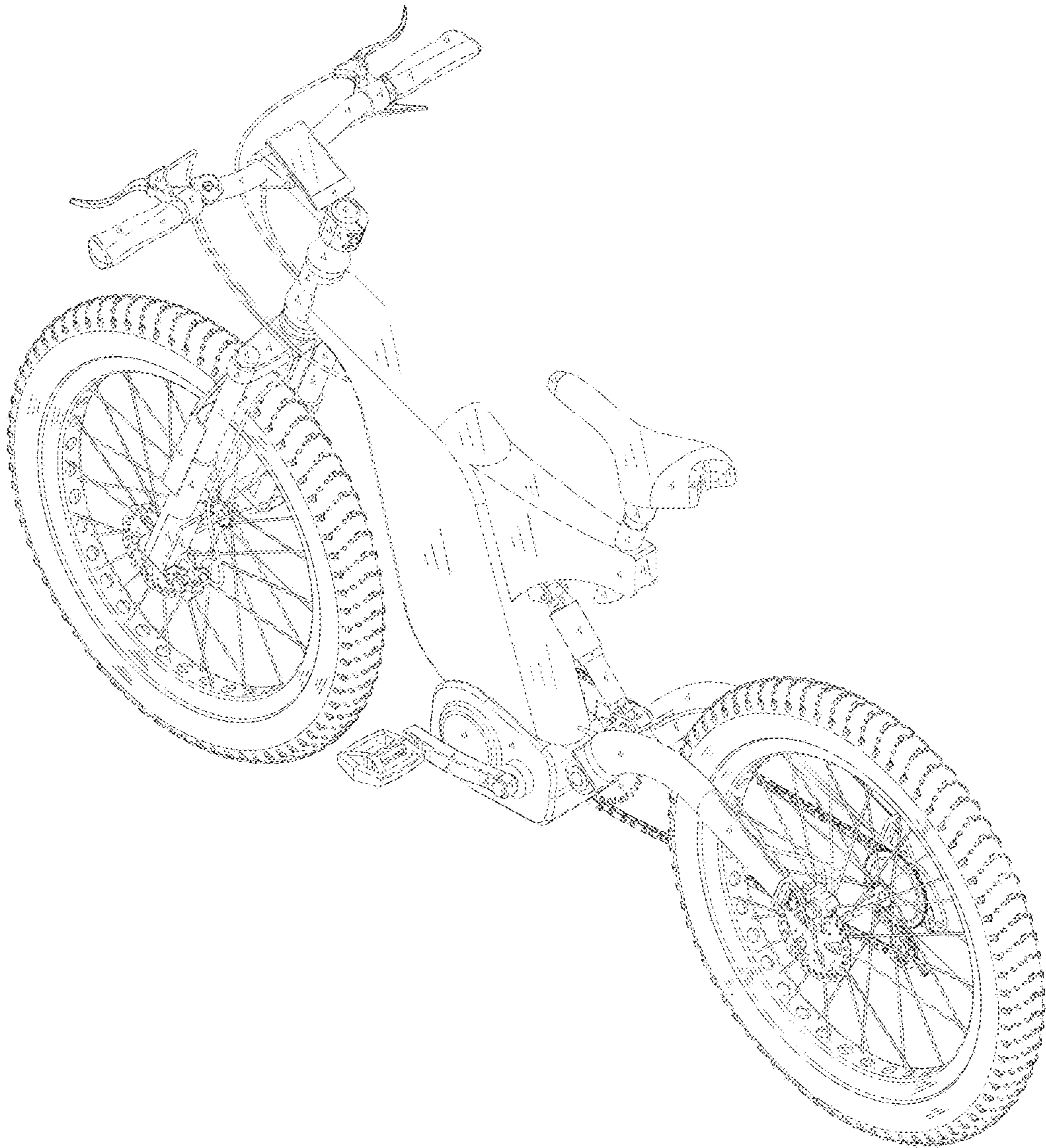


FIG. 9

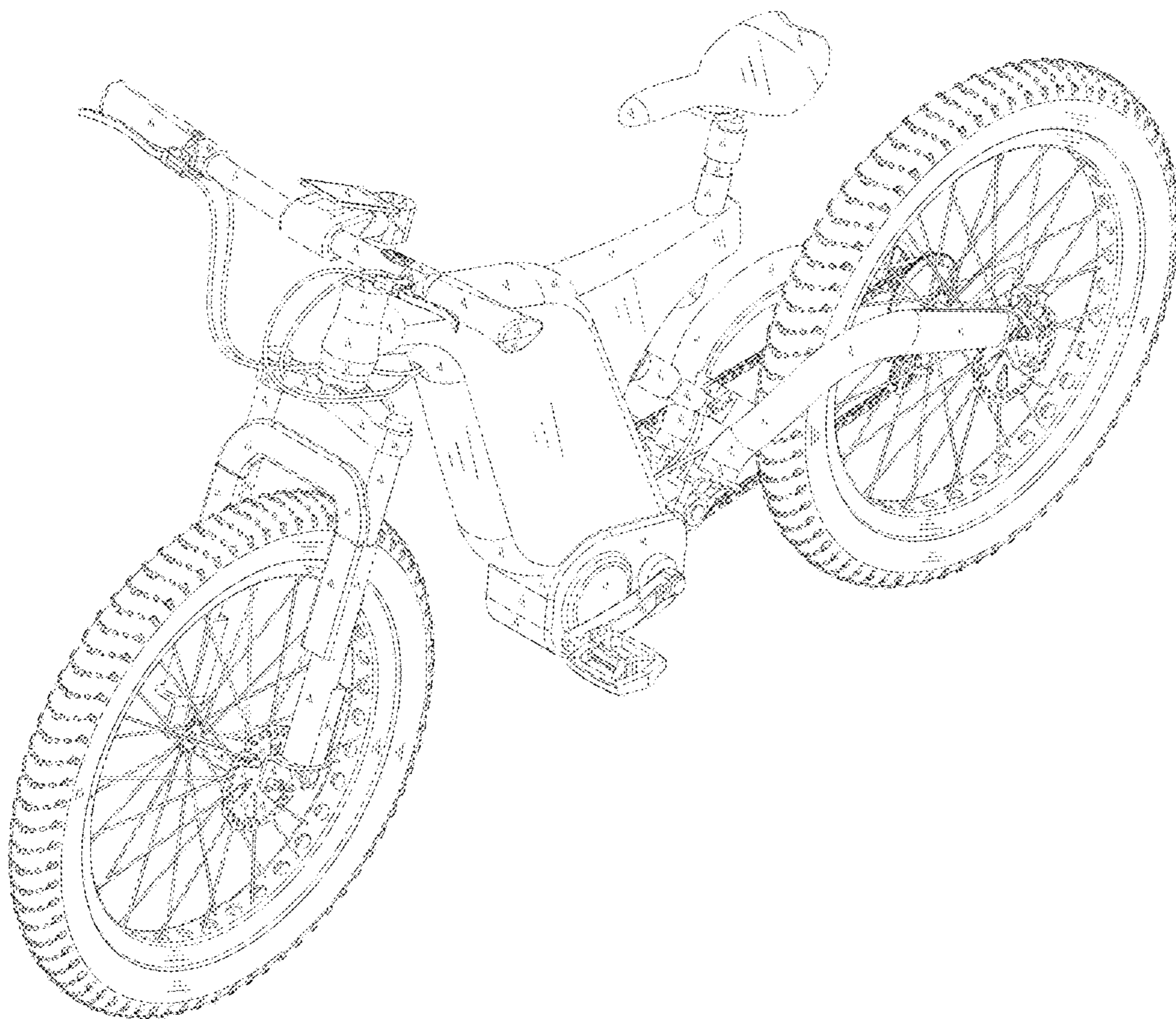


FIG. 10

