



US00D850979S

(12) **United States Design Patent**
Metros et al.

(10) **Patent No.:** **US D850,979 S**
(45) **Date of Patent:** **** Jun. 11, 2019**

- (54) **VEHICLE EXTERIOR**
- (71) Applicant: **Ford Global Technologies, LLC**,
Dearborn, MI (US)
- (72) Inventors: **Craig S. Metros**, Bloomfield, MI (US);
George Bucher, Dearborn, MI (US);
Christopher G. Walter, Walled Lake,
MI (US); **Andrew Bazinski**,
Amherstburg (CA)
- (73) Assignee: **Ford Global Technologies, LLC**,
Dearborn, MI (US)

D732,429 S *	6/2015	Loeb	D12/91
D732,430 S *	6/2015	Loeb	D12/91
D732,431 S *	6/2015	Loeb	D12/91
D741,752 S *	10/2015	Messale	D12/91
D754,563 S *	4/2016	Behmer	D12/91
D776,006 S *	1/2017	Uchiyama	D12/91
D788,643 S *	6/2017	Bucher	D12/91
D793,283 S *	8/2017	Woodhouse	D12/91
D812,523 S *	3/2018	Koizumi	D12/91
D814,974 S *	4/2018	Koizumi	D12/91
D819,495 S *	6/2018	Bucher	D12/91
D819,496 S *	6/2018	Bucher	D12/91
D819,497 S *	6/2018	Platto	D12/91
D820,163 S *	6/2018	Woodhouse	D12/91
D821,920 S *	7/2018	Platto	D12/91

(**) Term: **15 Years**

* cited by examiner

(21) Appl. No.: **29/621,060**

Primary Examiner — Melody N Brown

(22) Filed: **Oct. 4, 2017**

(74) *Attorney, Agent, or Firm* — Vichit Chea

(51) **LOC (11) Cl.** **12-08**

(52) **U.S. Cl.**
USPC **D12/91**

(58) **Field of Classification Search**
USPC D12/86, 90-92; D21/424, 433, 434;
296/181.1-181.5, 183.1
CPC B62D 25/00; B62D 25/06; B62D 33/00;
B62D 35/00
See application file for complete search history.

(57) **CLAIM**

The ornamental design for a vehicle exterior, as shown and described.

(56) **References Cited**

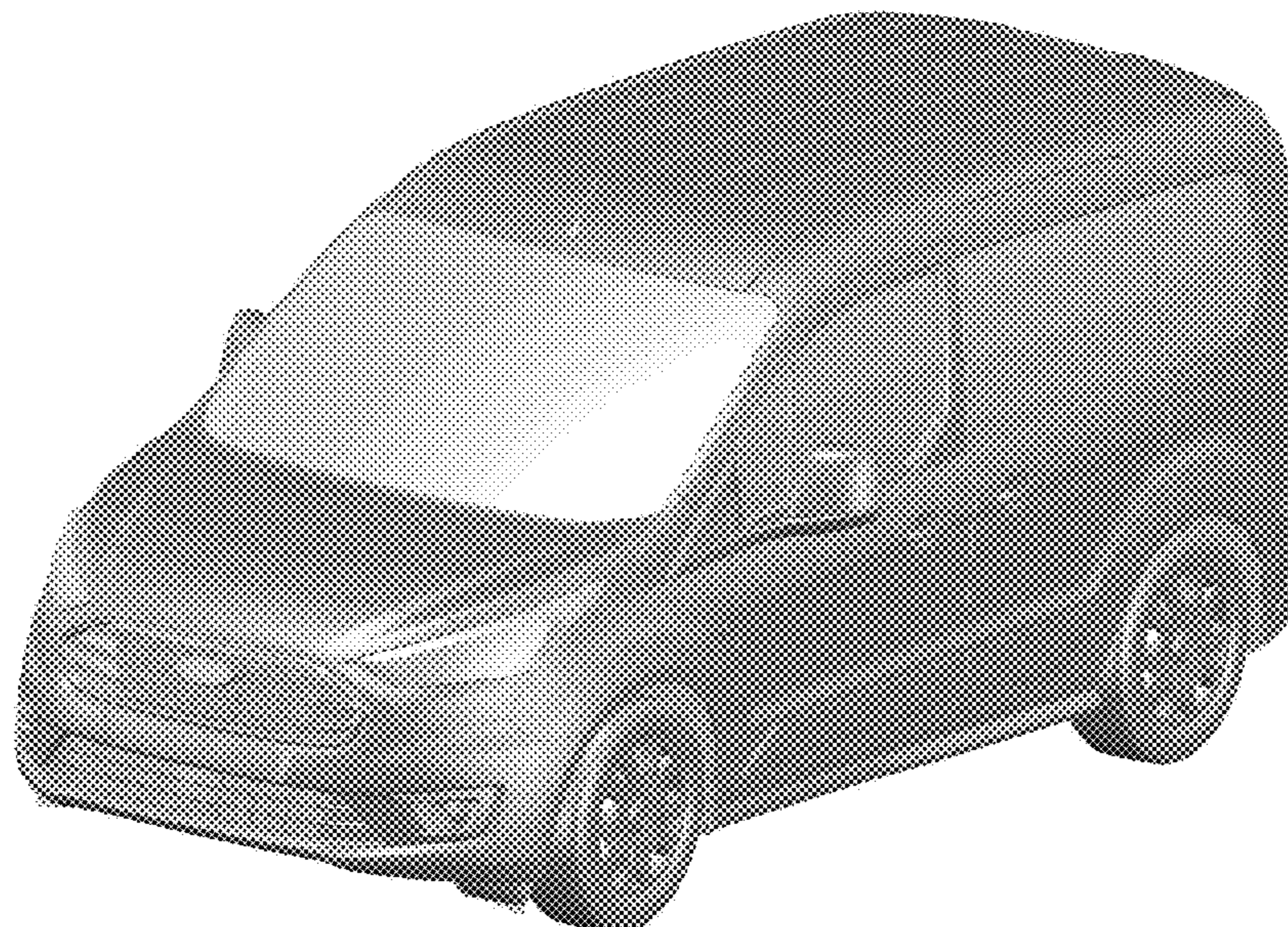
U.S. PATENT DOCUMENTS

D714,189 S *	9/2014	Campbell	D12/91
D722,919 S *	2/2015	Chang	D12/91

DESCRIPTION

FIG. 1 is a top, front, and left side perspective view of a vehicle exterior showing our new design;
FIG. 2 is a top, rear, and left side perspective view thereof;
FIG. 3 is a front elevational view thereof;
FIG. 4 is a rear elevational view thereof;
FIG. 5 is a left side elevational view thereof;
FIG. 6 is a right side elevational view thereof; and,
FIG. 7 is a top plan view thereof.

1 Claim, 7 Drawing Sheets



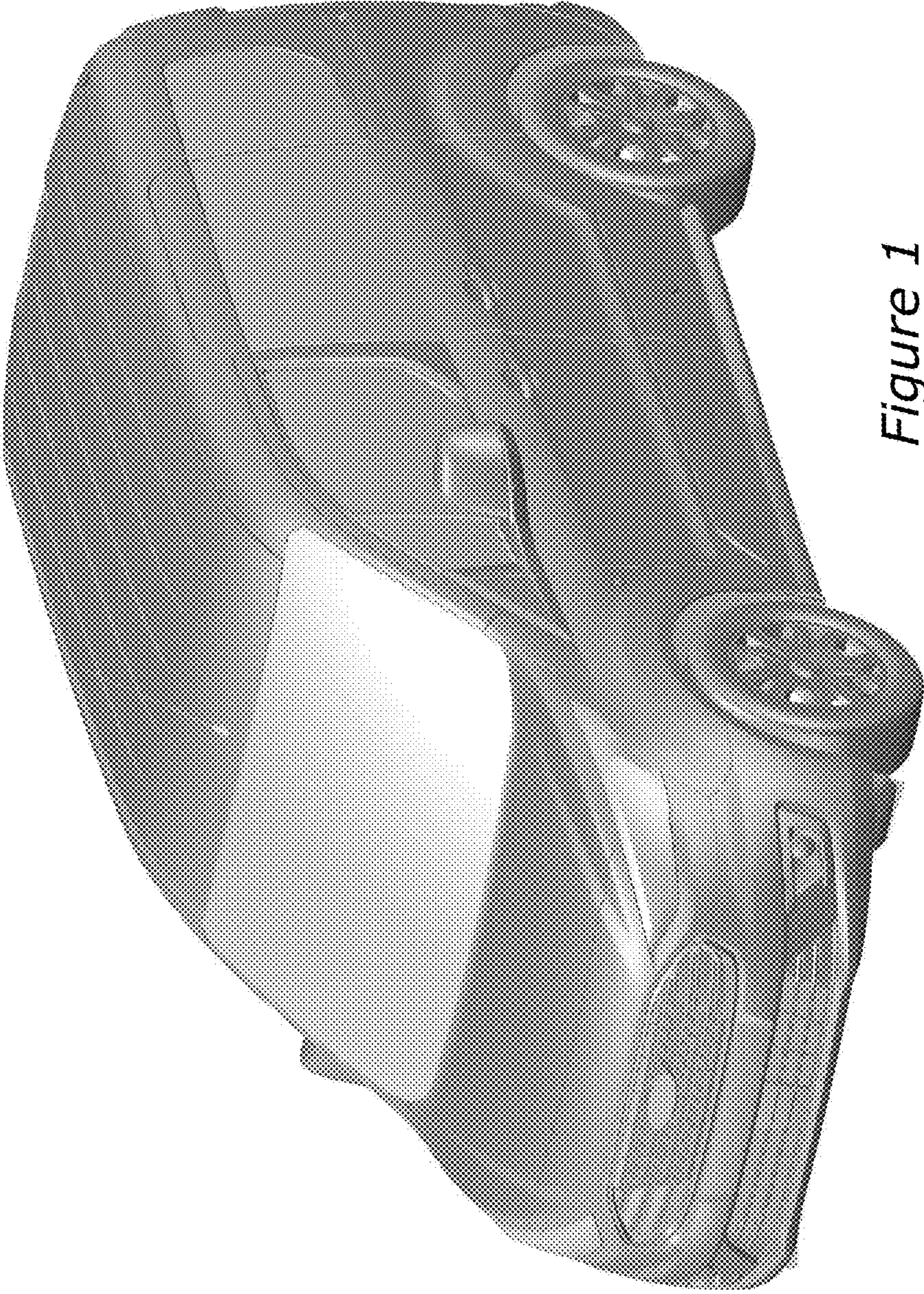


Figure 1

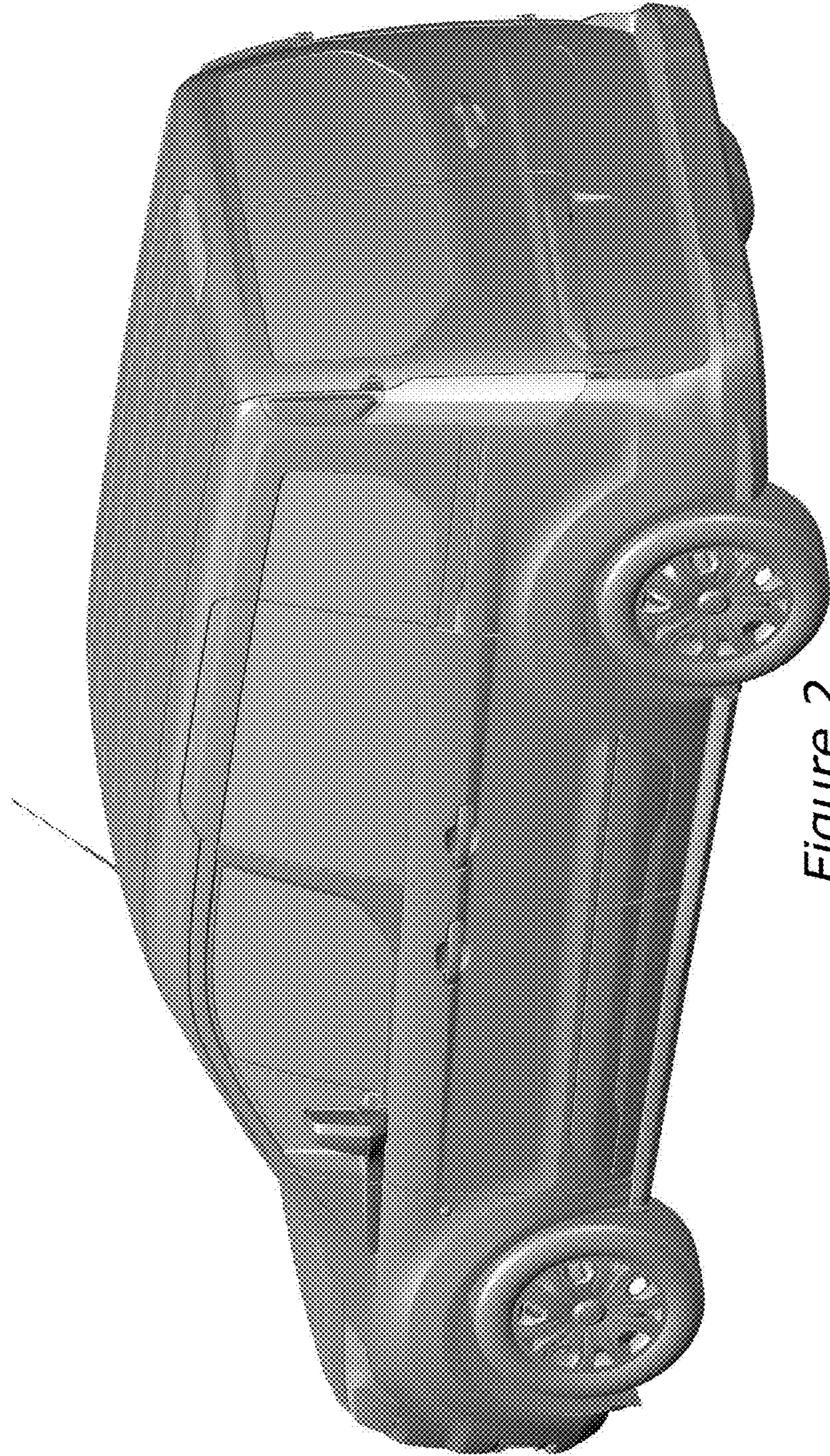


Figure 2

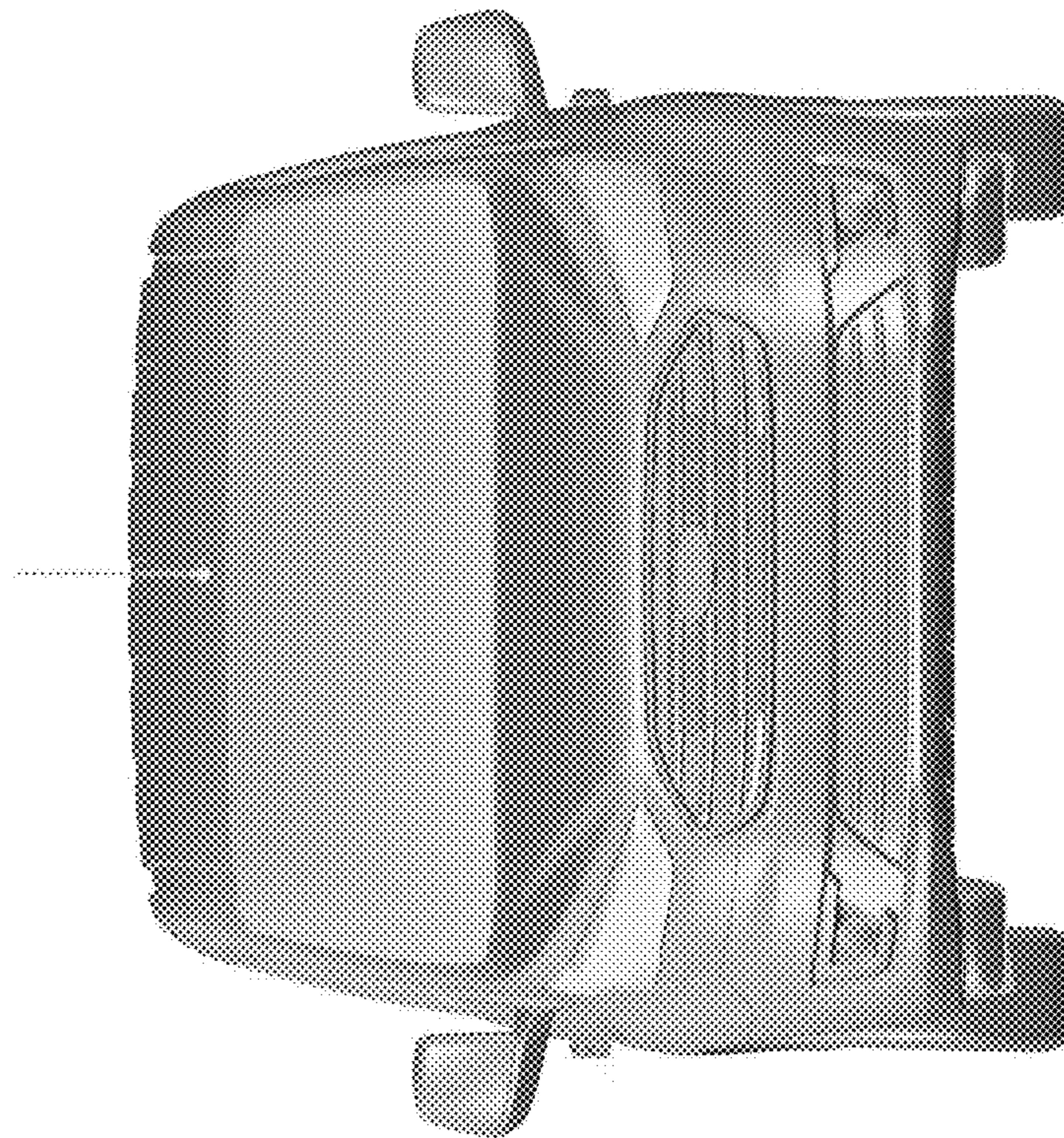


Figure 3

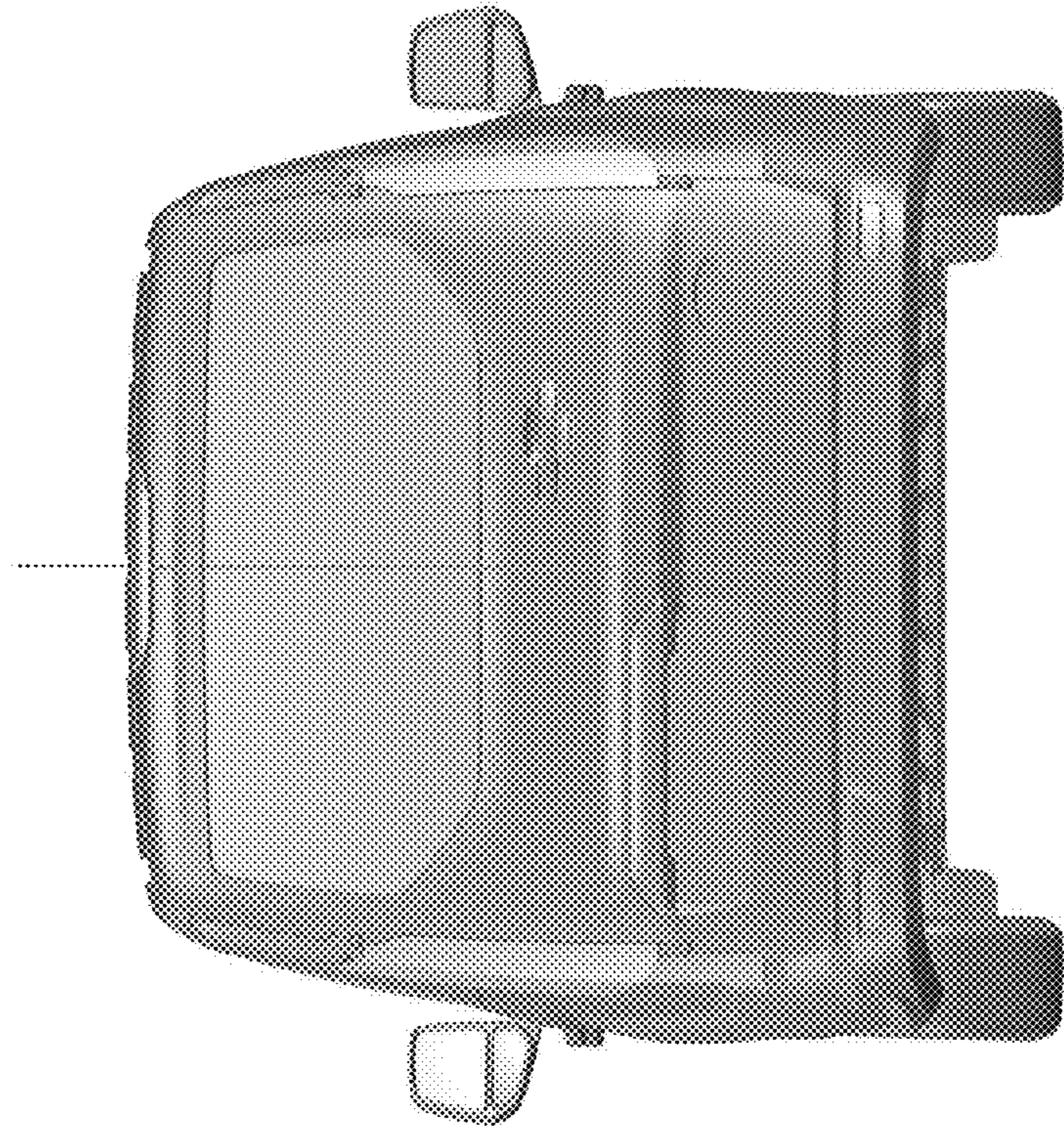


Figure 4

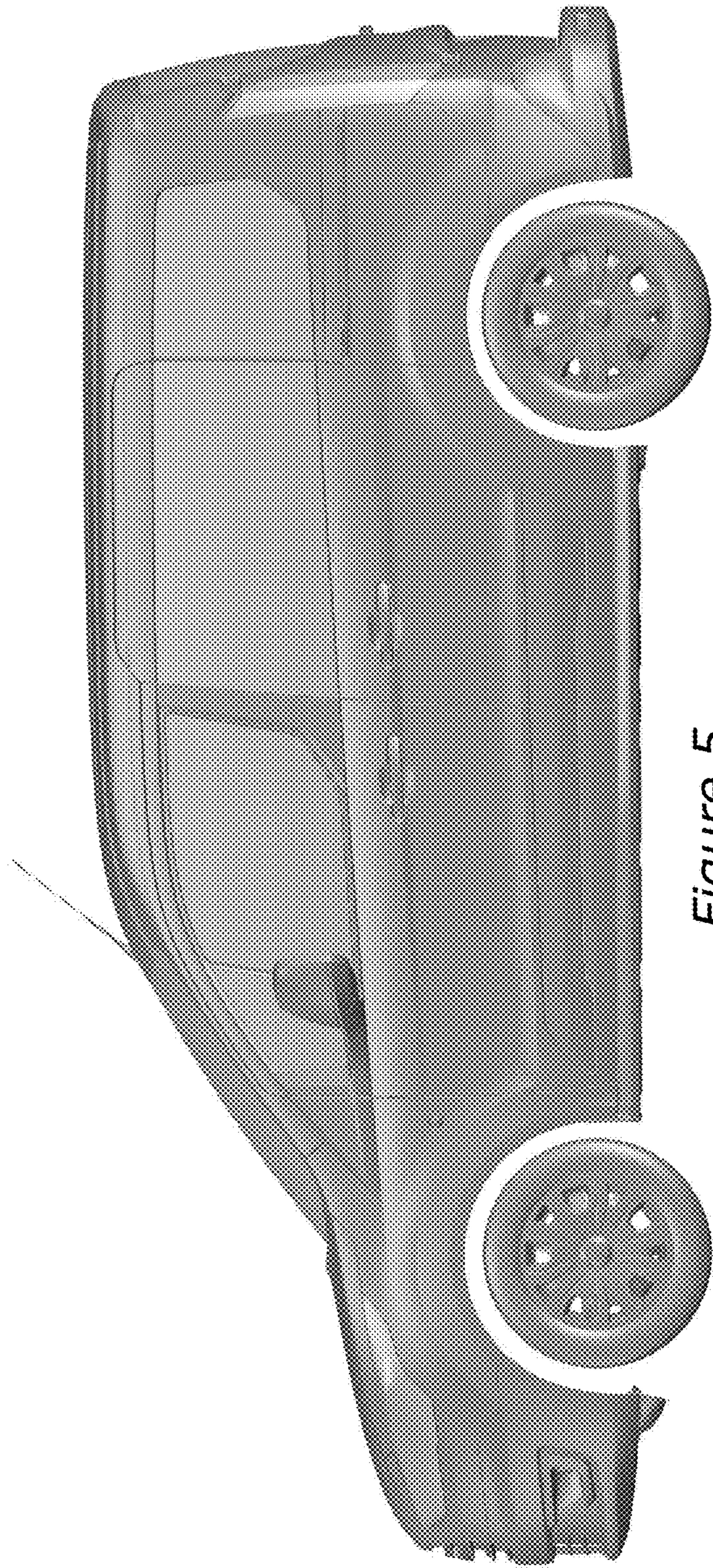


Figure 5

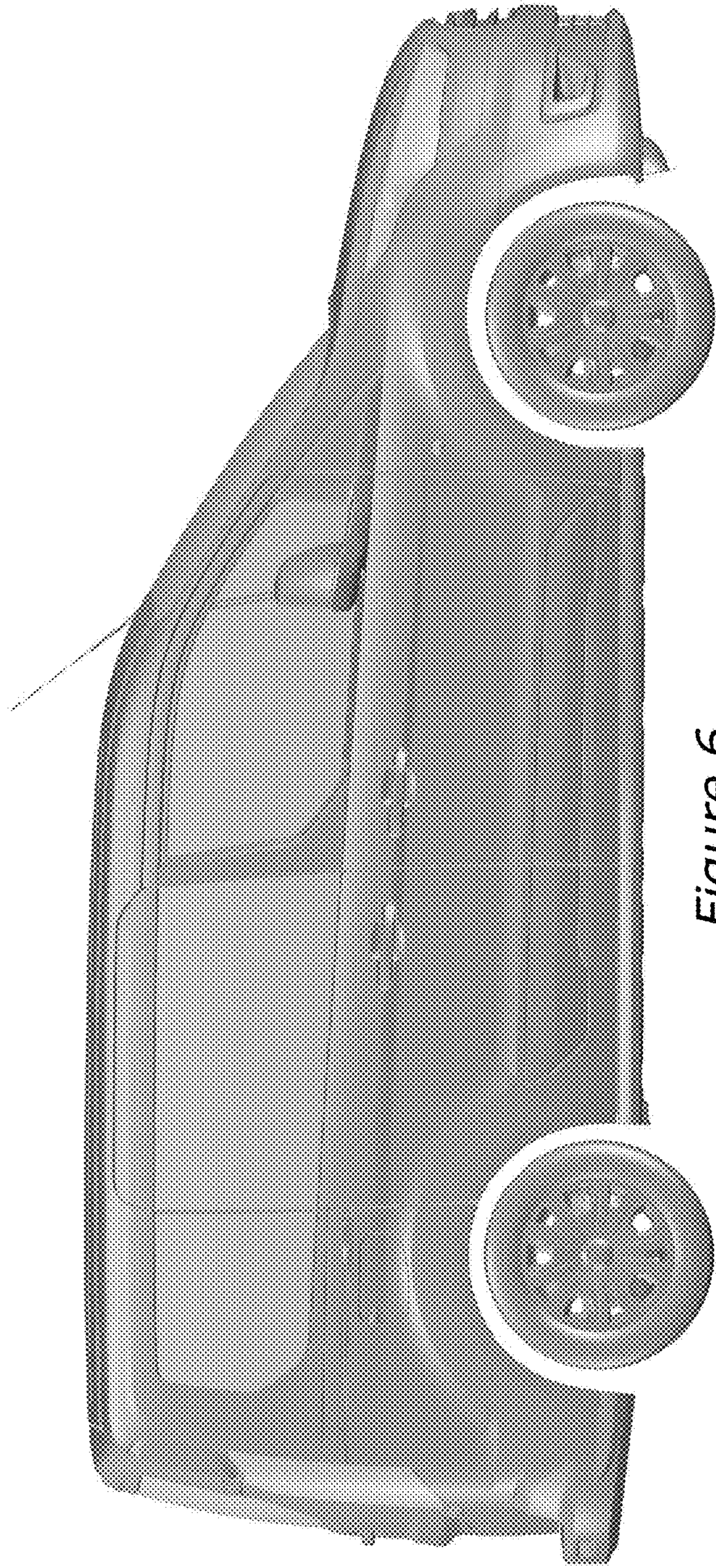


Figure 6

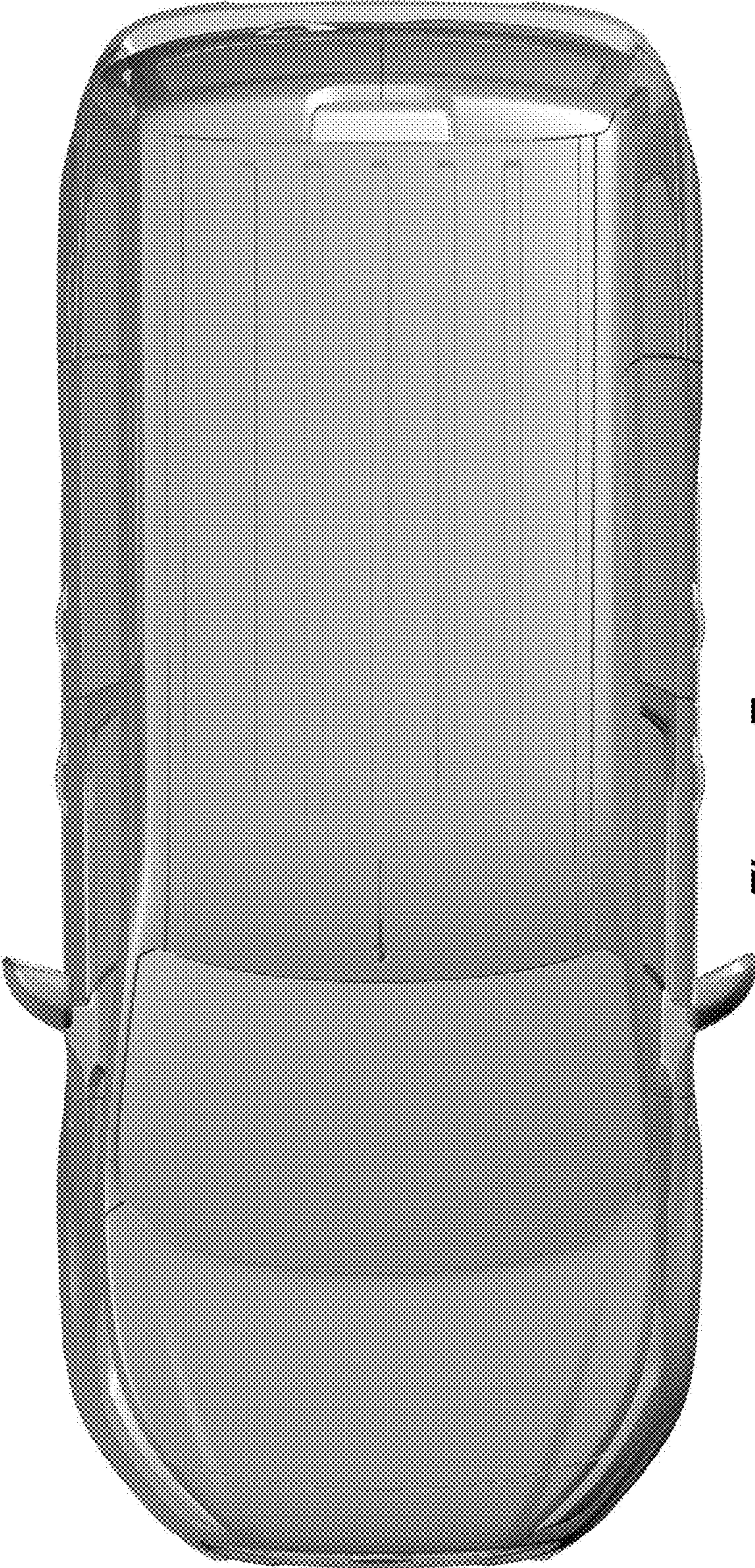


Figure 7