



US00D850978S

(12) **United States Design Patent**
Gao

(10) **Patent No.:** **US D850,978 S**

(45) **Date of Patent:** **** Jun. 11, 2019**

- (54) **UNMANNED AERIAL VEHICLE**
- (71) Applicant: **Shenzhen HighGreat Innovation Technology Development Co., Ltd.**, Shenzhen (CN)
- (72) Inventor: **Jianmin Gao**, Shenzhen (CN)
- (73) Assignee: **SHENZHEN HIGHGREAT INNOVATION TECHNOLOGY DEVELOPMENT CO., LTD.**, Shenzhen (CN)

- D777,263 S * 1/2017 Lavagen D12/16.1
- D784,202 S * 4/2017 Park D12/16.1
- D784,854 S * 4/2017 Huang D12/16.1
- D785,541 S * 5/2017 Du D12/328
- D795,967 S * 8/2017 Haley D12/16.1
- D796,586 S * 9/2017 Chen D12/16.1
- D798,961 S * 10/2017 Li D21/441
- D800,602 S * 10/2017 Hsiao D12/16.1
- D801,224 S * 10/2017 Li D12/16.1
- D803,723 S * 11/2017 Chen D12/16.1
- D806,606 S * 1/2018 Morrison D12/16.1

(Continued)

- (**) Term: **15 Years**
- (21) Appl. No.: **29/617,622**
- (22) Filed: **Sep. 14, 2017**
- (51) **LOC (11) Cl.** **12-01**
- (52) **U.S. Cl.**
USPC **D12/16.1**
- (58) **Field of Classification Search**
USPC D12/16.1, 319-345; D21/436, 441, 442, D21/443, 444, 447-454
CPC B64C 2201/141; B64C 39/024; B64C 2201/127
See application file for complete search history.

OTHER PUBLICATIONS

Take by HighGreat Innovation. dated 2016. found online [May 29, 2018] http://www.hg-fly.com/product_show?id=2.*

(Continued)

Primary Examiner — Marissa J Cash
(74) *Attorney, Agent, or Firm* — Gokalp Bayramoglu

(57) **CLAIM**

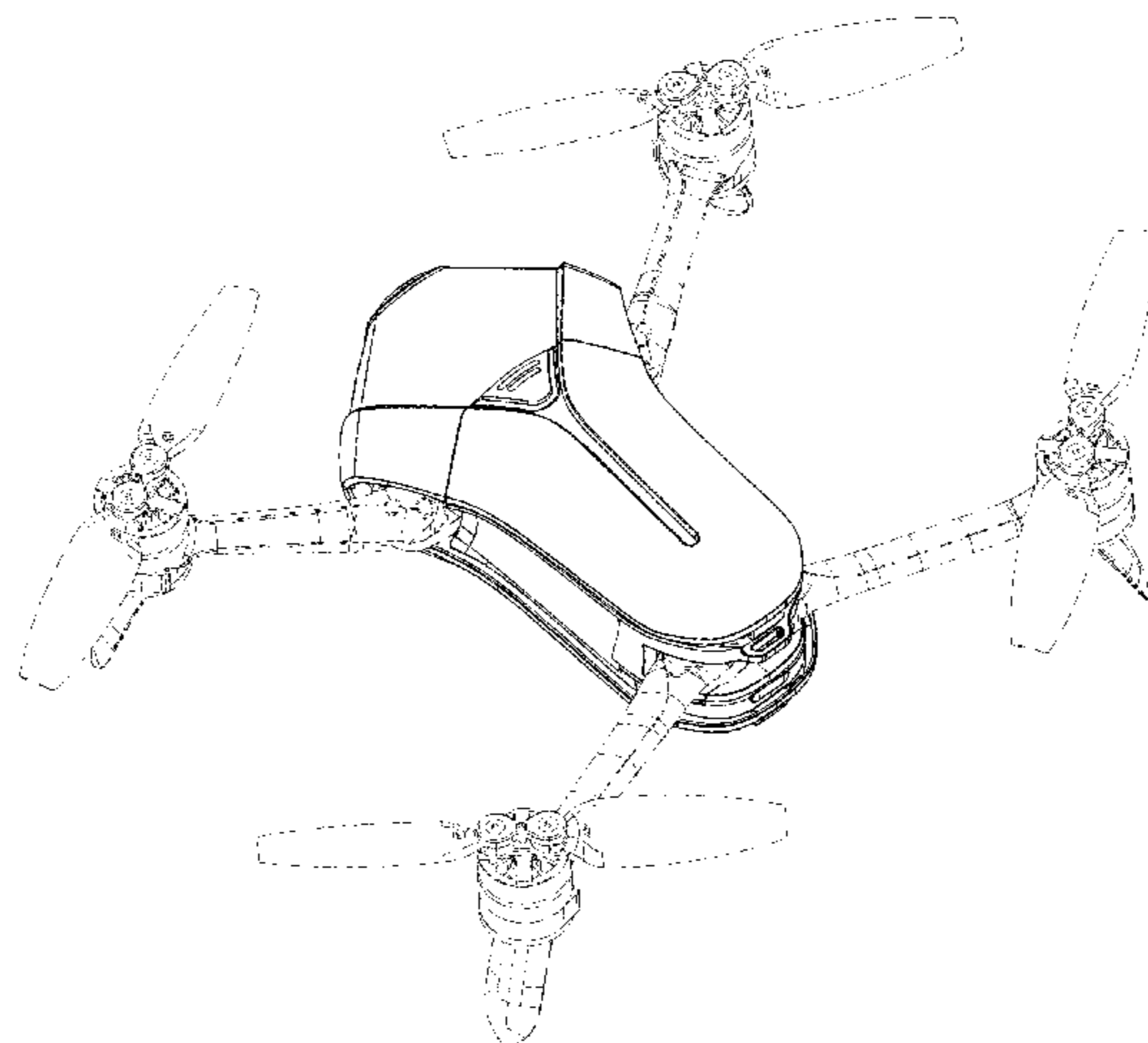
The ornamental design for the unmanned aerial vehicle, as shown and described.

DESCRIPTION

FIG. 1 is a front view of the unmanned aerial vehicle showing my new design;
FIG. 2 is a back view thereof;
FIG. 3 is a left view thereof;
FIG. 4 is a right view thereof;
FIG. 5 is a top view thereof;
FIG. 6 is a bottom view thereof;
FIG. 7 is a first perspective view thereof;
FIG. 8 is a second perspective view thereof; and,
FIG. 9 is a third perspective view thereof.
The broken lines in the drawings depict portions of the unmanned aerial vehicle that form no part of the claimed design.

- (56) **References Cited**
U.S. PATENT DOCUMENTS
D197,038 S * 12/1963 Howard D12/329
D628,658 S * 12/2010 Wurm D21/442
D691,514 S * 10/2013 Wang D12/16.1
D710,453 S * 8/2014 Barajas D12/16.1
D710,454 S * 8/2014 Barajas D12/16.1
D741,779 S * 10/2015 Hsiao D12/16.1
D760,624 S * 7/2016 Balaresque D12/16.1
D760,848 S * 7/2016 McKenna D12/16.1
D763,134 S * 8/2016 Wang D12/16.1
D768,539 S * 10/2016 Lee D12/16.1
D768,789 S * 10/2016 Fargeau D12/16.1
D772,991 S * 11/2016 Caubel D12/16.1

1 Claim, 9 Drawing Sheets



(56)

References Cited

U.S. PATENT DOCUMENTS

D810,653 S * 2/2018 Hu D12/327
 D813,723 S * 3/2018 Ahn D12/16.1
 D813,724 S * 3/2018 Hu D12/16.1
 D814,350 S * 4/2018 Joo D12/16.1
 D814,970 S * 4/2018 Chen D12/16.1
 D814,971 S * 4/2018 Huang D12/16.1
 D814,972 S * 4/2018 Ahn D12/16.1
 D814,973 S * 4/2018 Li D12/16.1
 D816,546 S * 5/2018 Wang D12/16.1
 D816,547 S * 5/2018 Cui D12/16.1
 D816,582 S * 5/2018 Liang D12/328
 2017/0129601 A1 * 5/2017 Babel B64C 27/08
 2017/0197718 A1 * 7/2017 Buchmueller B64D 1/22
 2017/0267334 A1 * 9/2017 Tsai B64C 25/10
 2017/0269609 A1 * 9/2017 Bradlow G05D 1/102
 2017/0283050 A1 * 10/2017 Baek B64C 27/08

2017/0301109 A1 * 10/2017 Chan G06T 7/75
 2017/0340176 A1 * 11/2017 Liao A47L 1/02
 2018/0009527 A1 * 1/2018 Von Novak, III B64C 39/024
 2018/0105271 A1 * 4/2018 Wypyszynski B64D 1/00

OTHER PUBLICATIONS

Lily Drone Next Gen. by Malek Murison. dated Aug. 30, 2017. found online [Nov. 3, 2018] <https://dronelife.com/2017/08/30/lily-drone-next-gen/>.
 CES 2017 High Great Drones by Bo Lorentzen. on YouTube. dated Jan. 8, 2017. found online [Nov. 3, 2018] <https://www.bing.com/videos/search?q=high+great+take+drone&&view=detail&mid=A4D26A0E81C6C3A09EB6A4D26A0E81C6C3A09EB6&rvsmid=0F5638AEF3BB11349CD10F5638AEF3BB11349CD1&FORM=VDRVRV>.

* cited by examiner

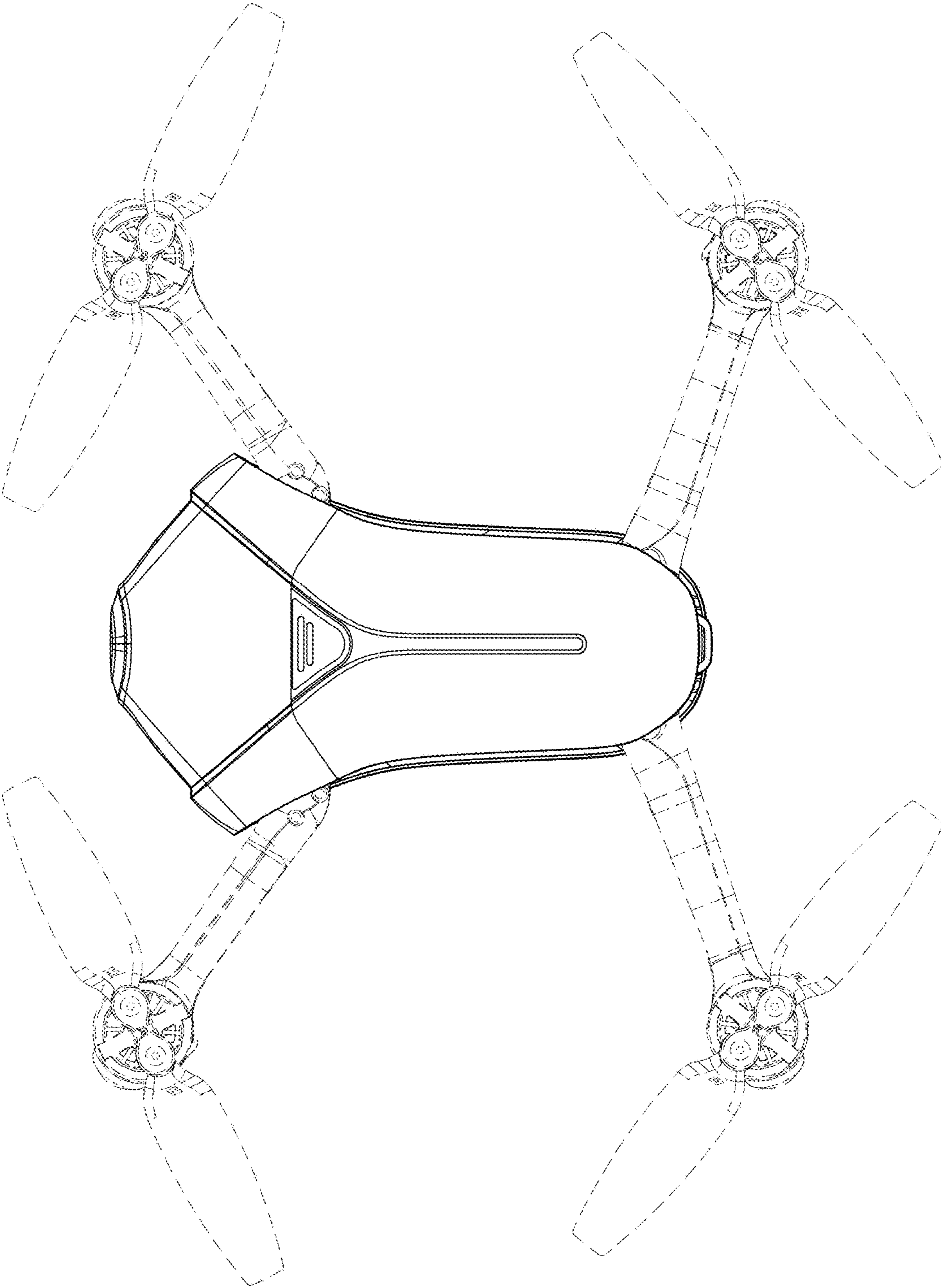


FIG. 1

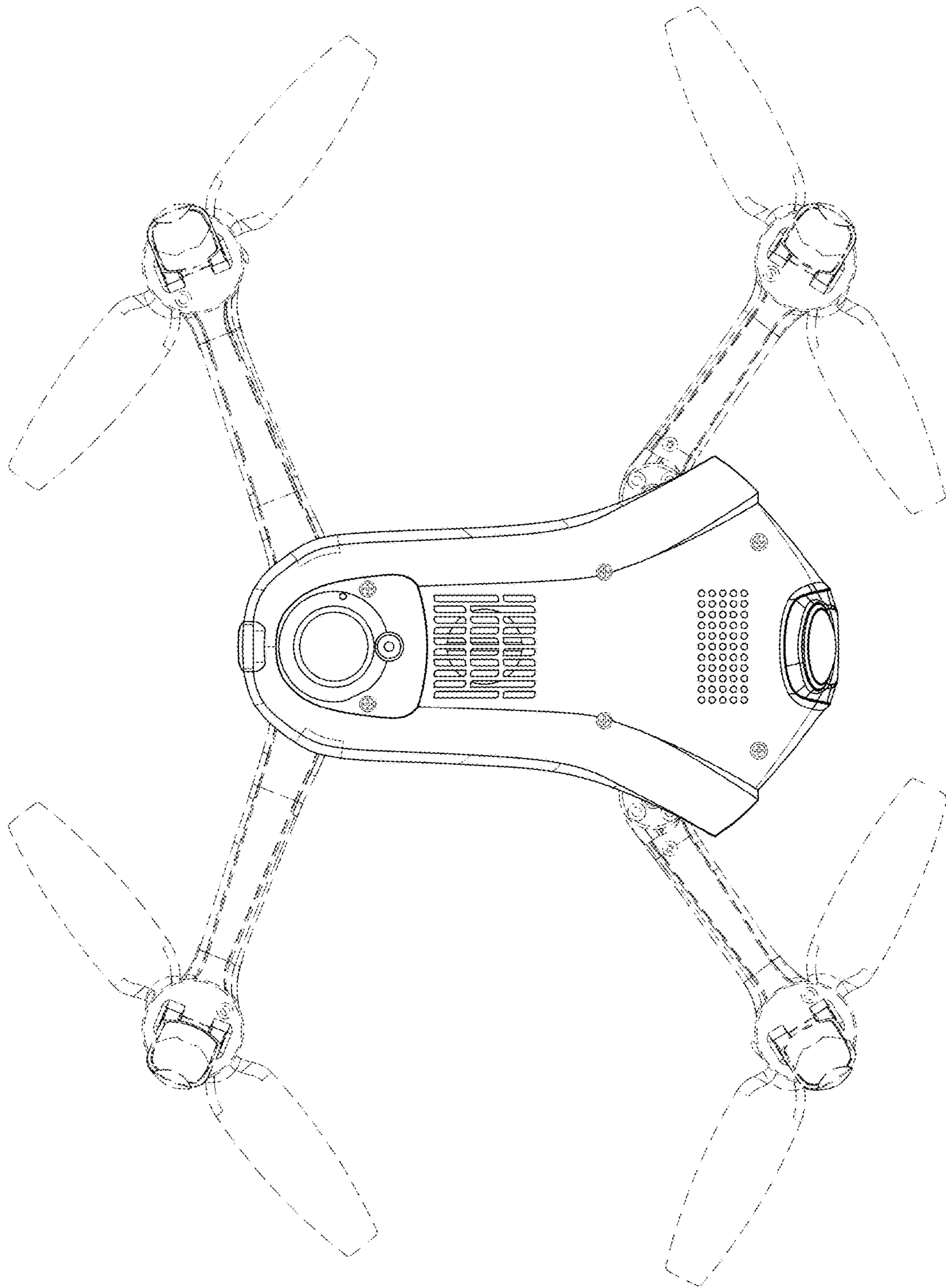


FIG. 2

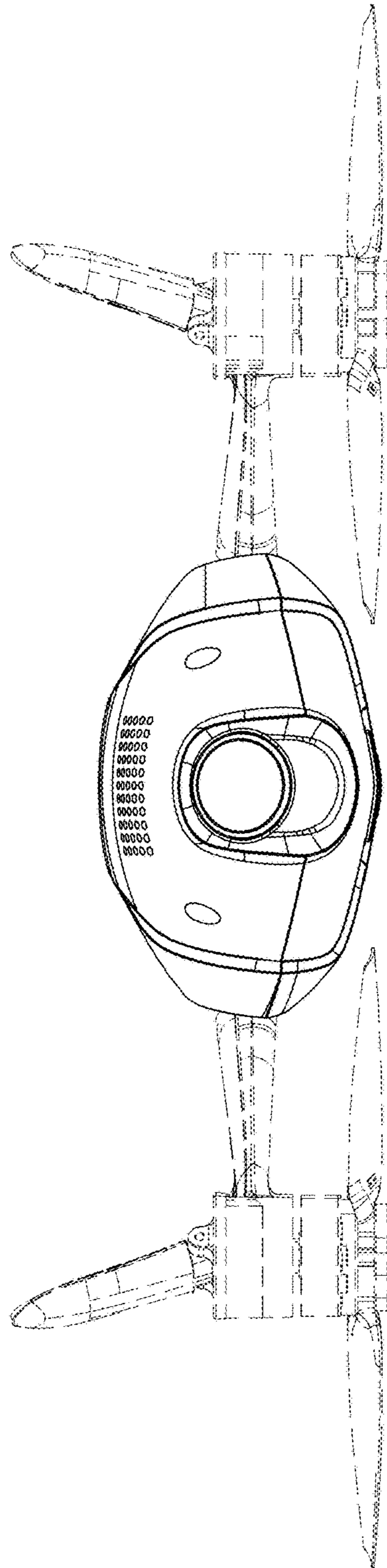


FIG. 3

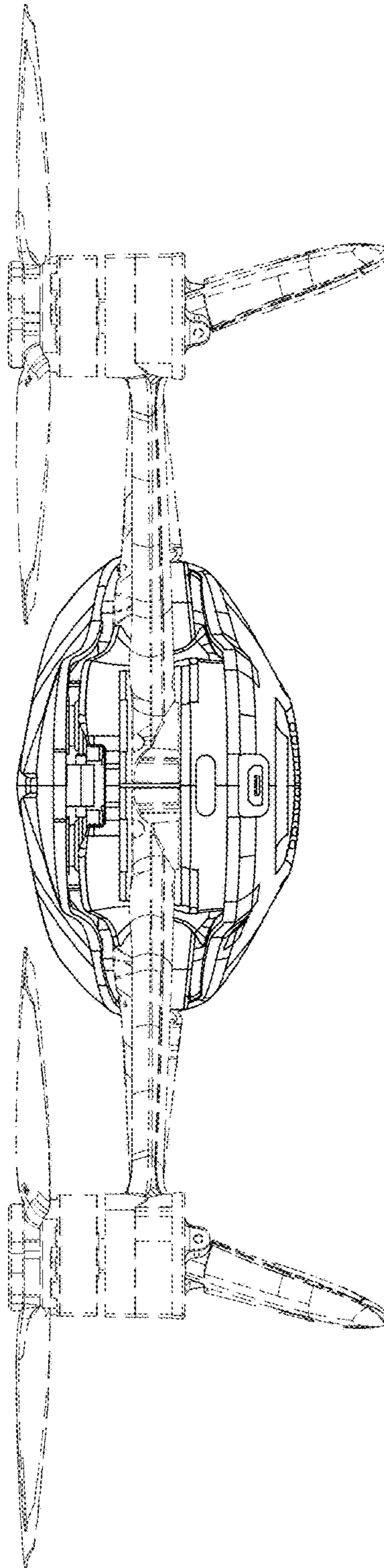


FIG. 4

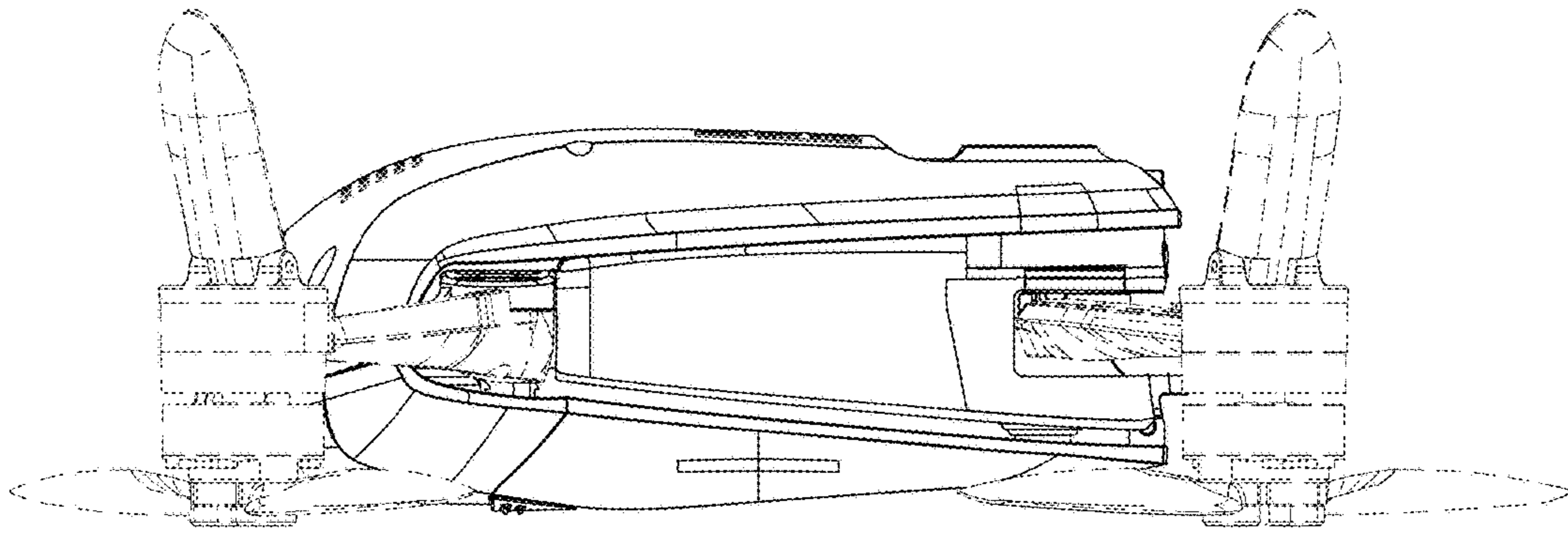


FIG. 5

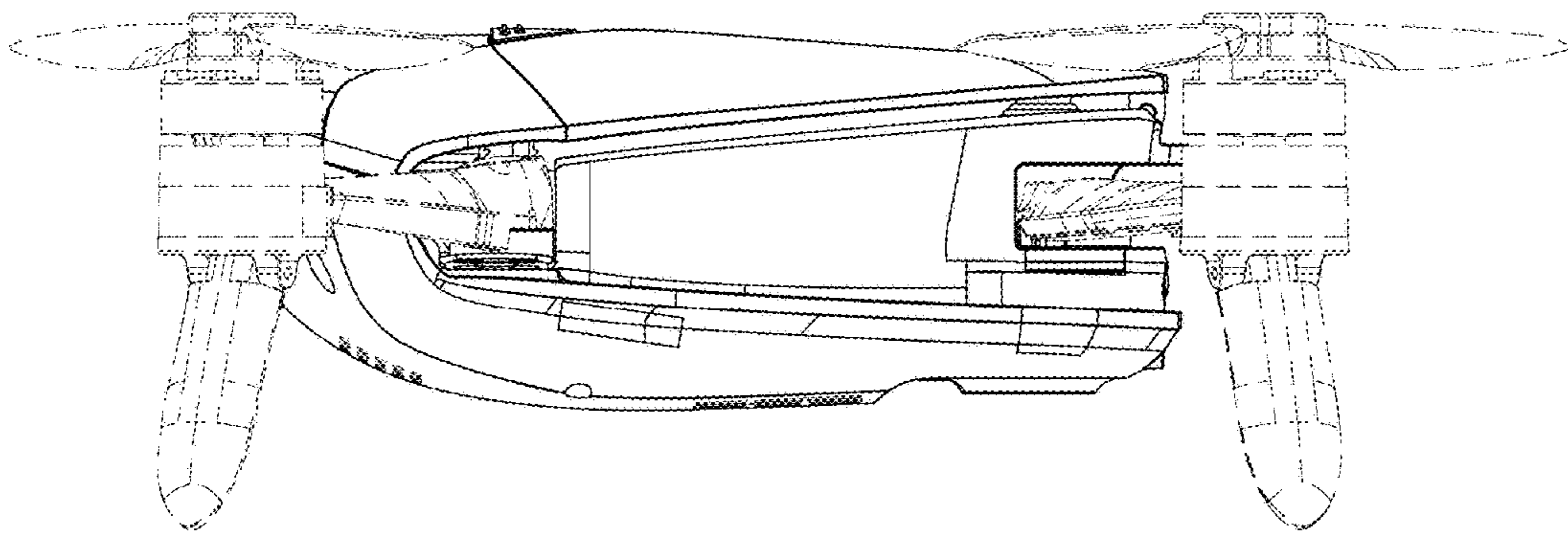


FIG. 6

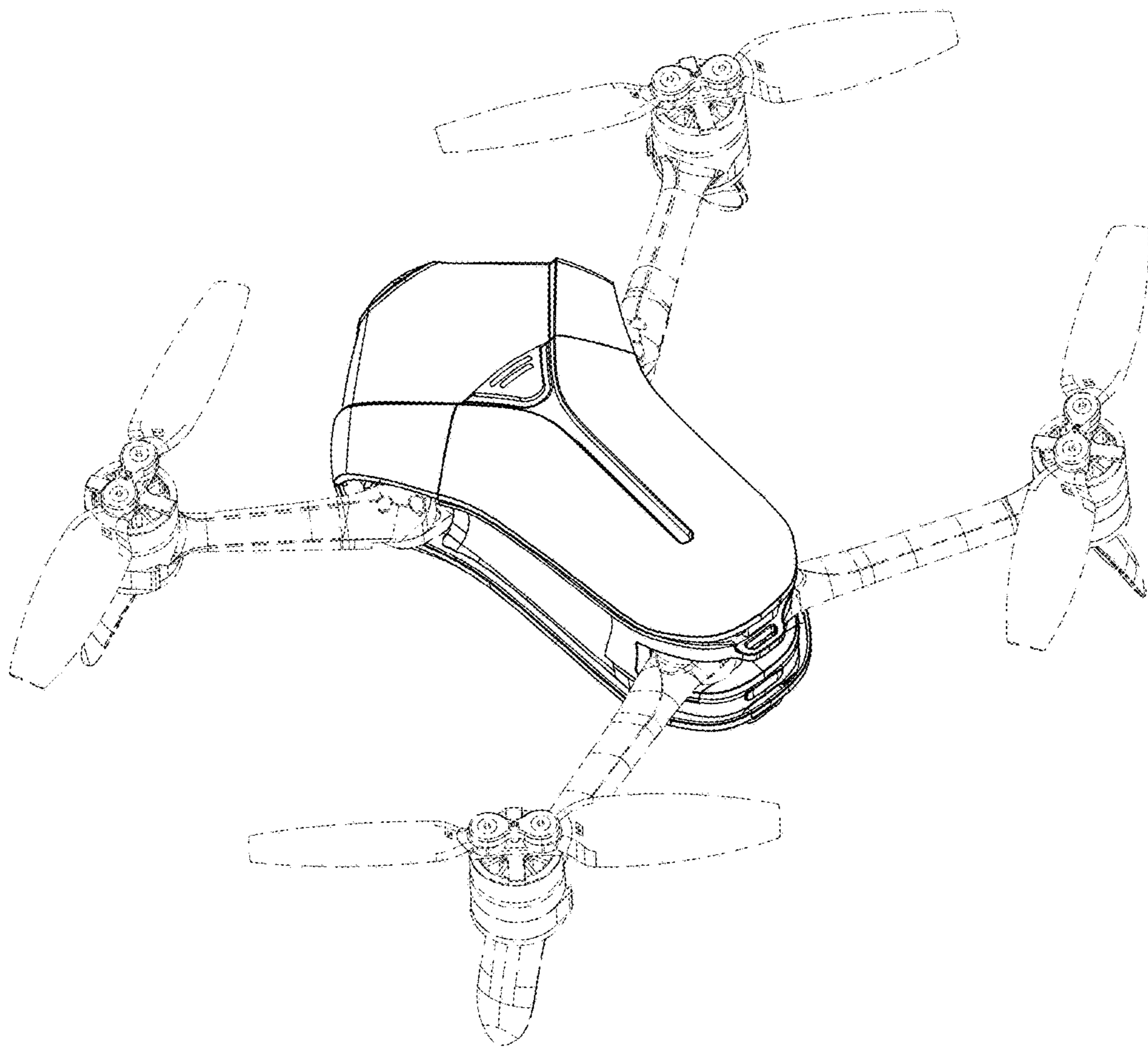


FIG. 7

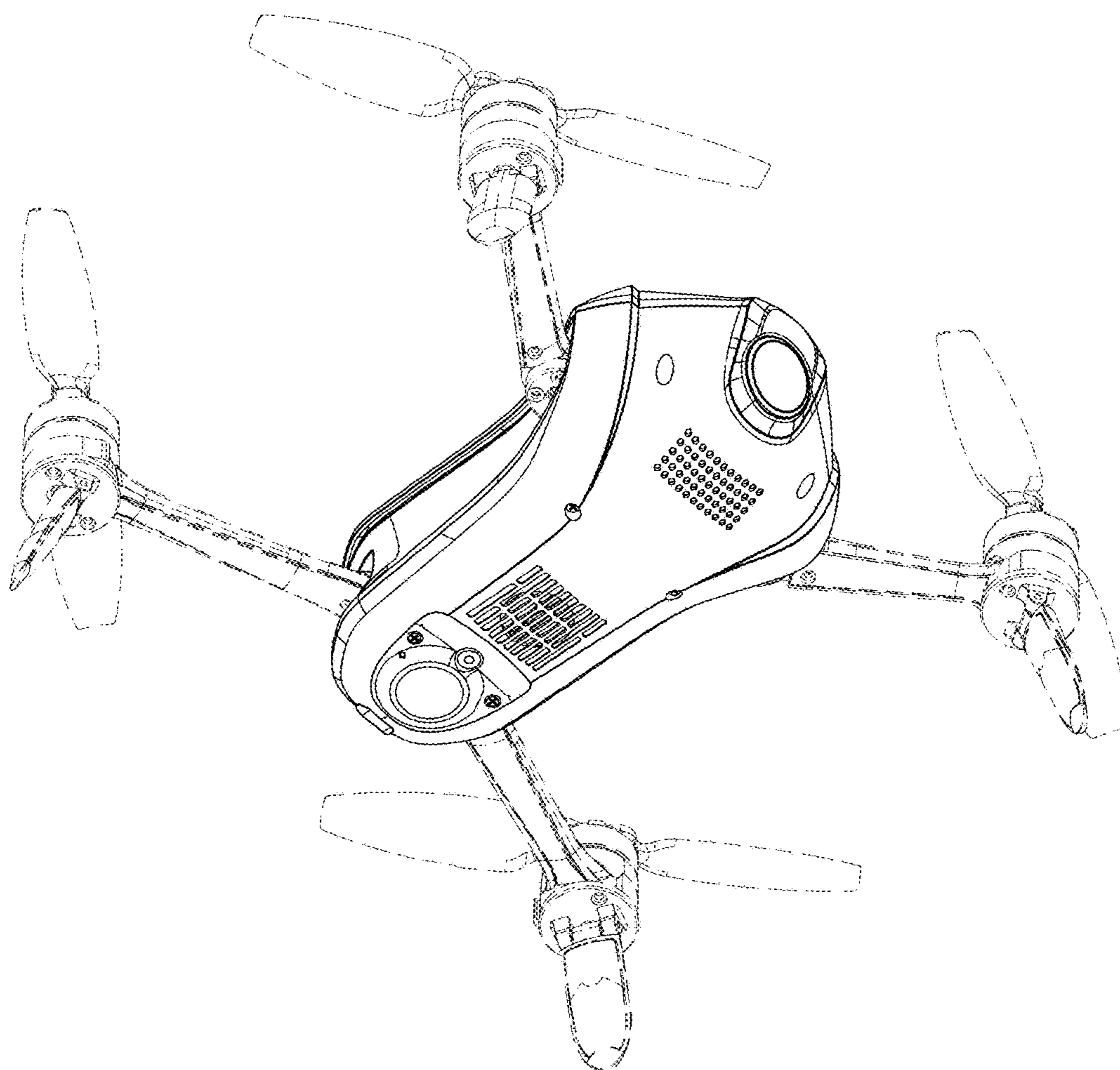


FIG. 8

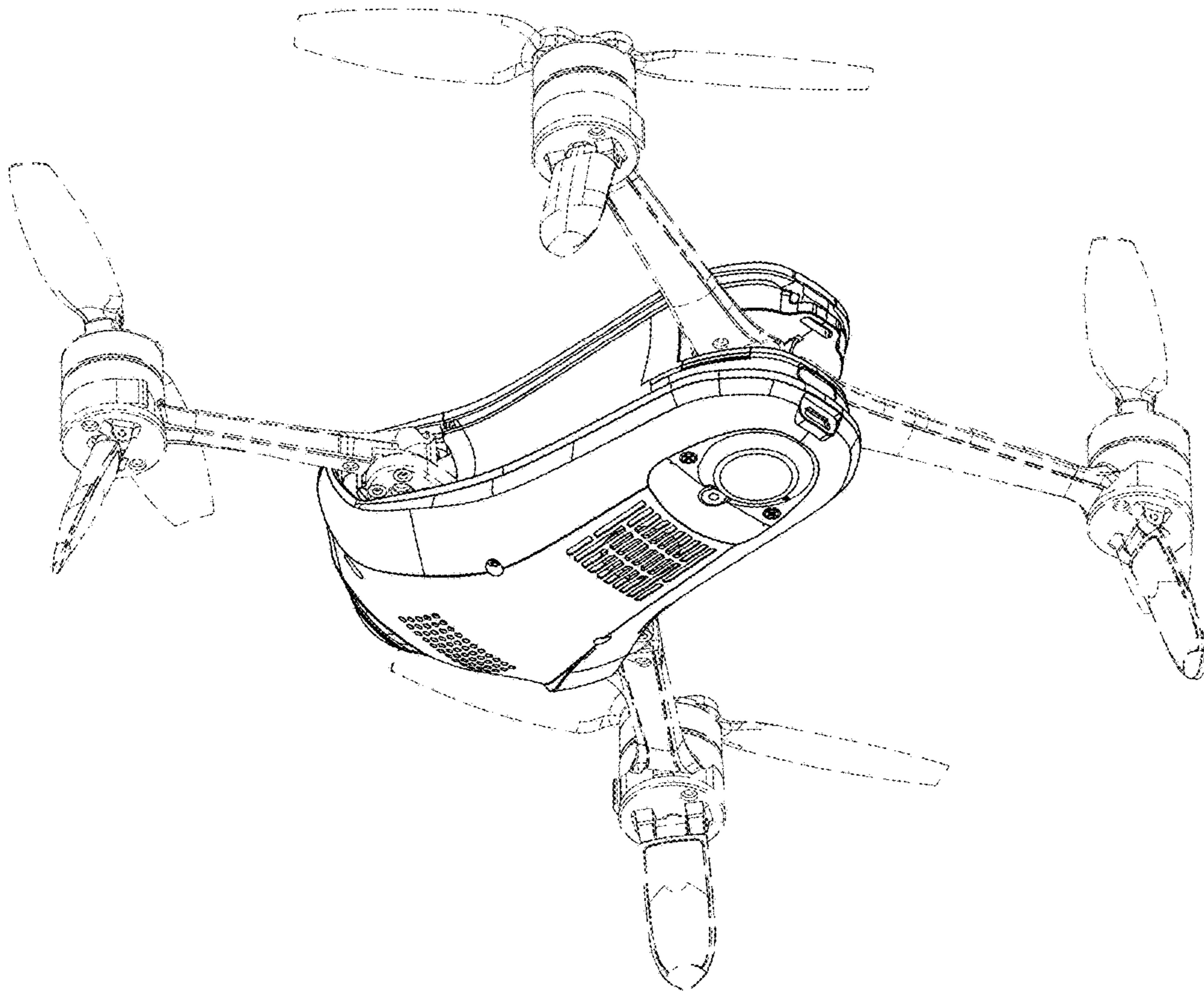


FIG. 9