



US00D850977S

(12) **United States Design Patent** (10) **Patent No.:** **US D850,977 S**
Ishii (45) **Date of Patent:** **** Jun. 11, 2019**

(54) **PORTION OF A BUCKLE**
(71) Applicant: **NIFCO INC.**, Kanagawa (JP)
(72) Inventor: **Taiyo Ishii**, Yokosuka (JP)
(73) Assignee: **NIFCO INC.**, Yokosuka-shi, Kanagawa (JP)

D714,185 S * 9/2014 Kelleghan D11/218
D714,683 S * 10/2014 McEntyre D11/218
D724,484 S * 3/2015 Swan D11/218
D731,919 S 6/2015 Kung
D741,148 S * 10/2015 Liu D11/218
D750,530 S 3/2016 VanHoutin et al.
D752,480 S * 3/2016 Chan D11/218
D782,364 S * 3/2017 Nykoluk D11/218
D805,955 S * 12/2017 Minson D11/218

(**) Term: **15 Years**

OTHER PUBLICATIONS

(21) Appl. No.: **35/502,294**

Dec. 13, 2018—(US) Ex Parte Quayle—U.S. Appl. No. 29/642,803.

(22) Filed: **Oct. 27, 2016**

* cited by examiner

(80) **Hague Agreement Data**

Primary Examiner — Zenia I Bennett

Int. Filing Date: **Oct. 27, 2016**
Int. Reg. No.: **DM/094094**
Int. Reg. Date: **Oct. 27, 2016**
Int. Reg. Pub. Date: **Jan. 13, 2017**

(74) *Attorney, Agent, or Firm* — Banner & Witcoff, Ltd.

(51) **LOC (11) Cl.** **02-07**

(57) **CLAIM**

(52) **U.S. Cl.**

The ornamental design for a portion of a buckle, as shown and described.

USPC **D11/218**

DESCRIPTION

(58) **Field of Classification Search**

USPC D11/1-2, 200-201, 206-210, 214-218;
D2/853, 624
CPC A44B 11/26; A44B 11/25; A44B 11/06;
A44B 11/04

1. Portion of a Buckle

1.1 : Perspective

1.2 : Front

1.3 : Back

1.4 : Right

1.5 : Top

1.6 : Bottom

1.7 : End view cut at middle portion

See application file for complete search history.

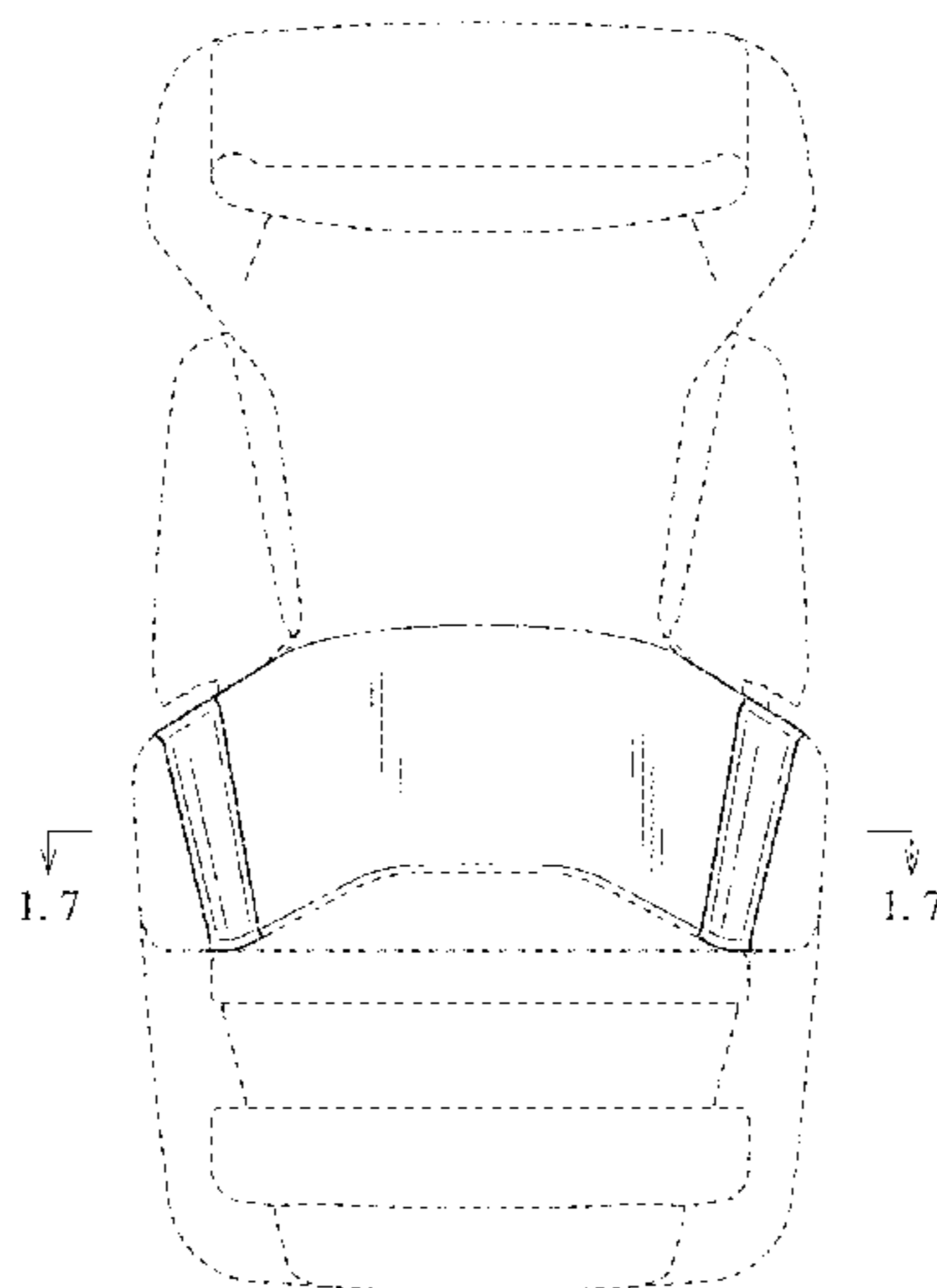
The broken lines are for the purpose of illustrating the unclaimed portion of a buckle which form no part of the claimed designs; the dot and dashed lines shown in design 1 are boundaries between the claimed portion and the non-claimed portion; the parallel thin lines (shading lines) shown on the surface of the buckles are used to specify a three dimensional shape of the claimed portion of a buckle.

(56) **References Cited**

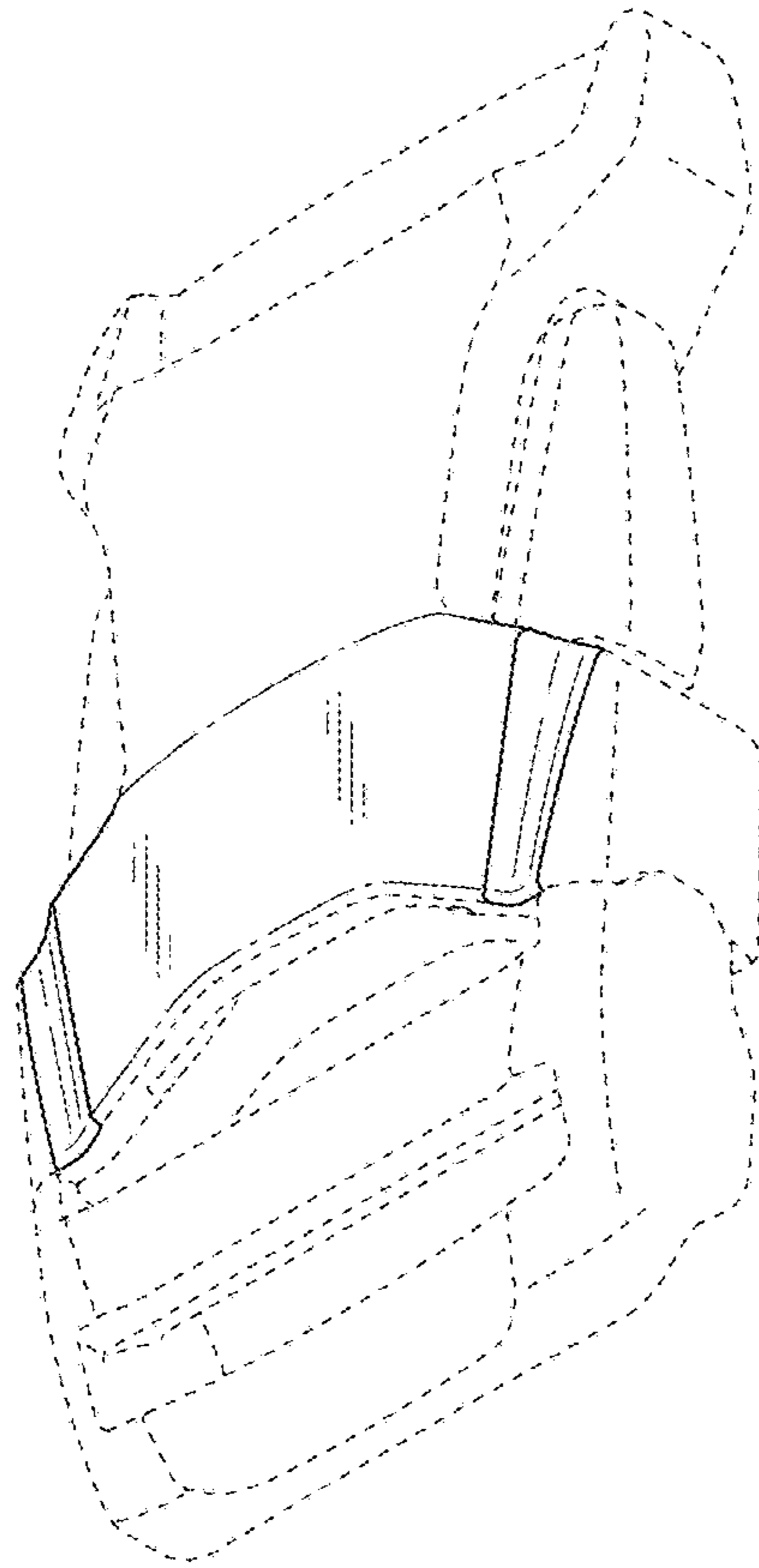
U.S. PATENT DOCUMENTS

D542,710 S 5/2007 Yoshiguchi
D576,521 S 9/2008 Kolasa et al.
D646,998 S 10/2011 Kawaguchi
D646,999 S 10/2011 Kawaguchi
D672,280 S 12/2012 Schurian et al.
D703,097 S * 4/2014 Nanbu D11/218
D703,098 S * 4/2014 Quan D11/218

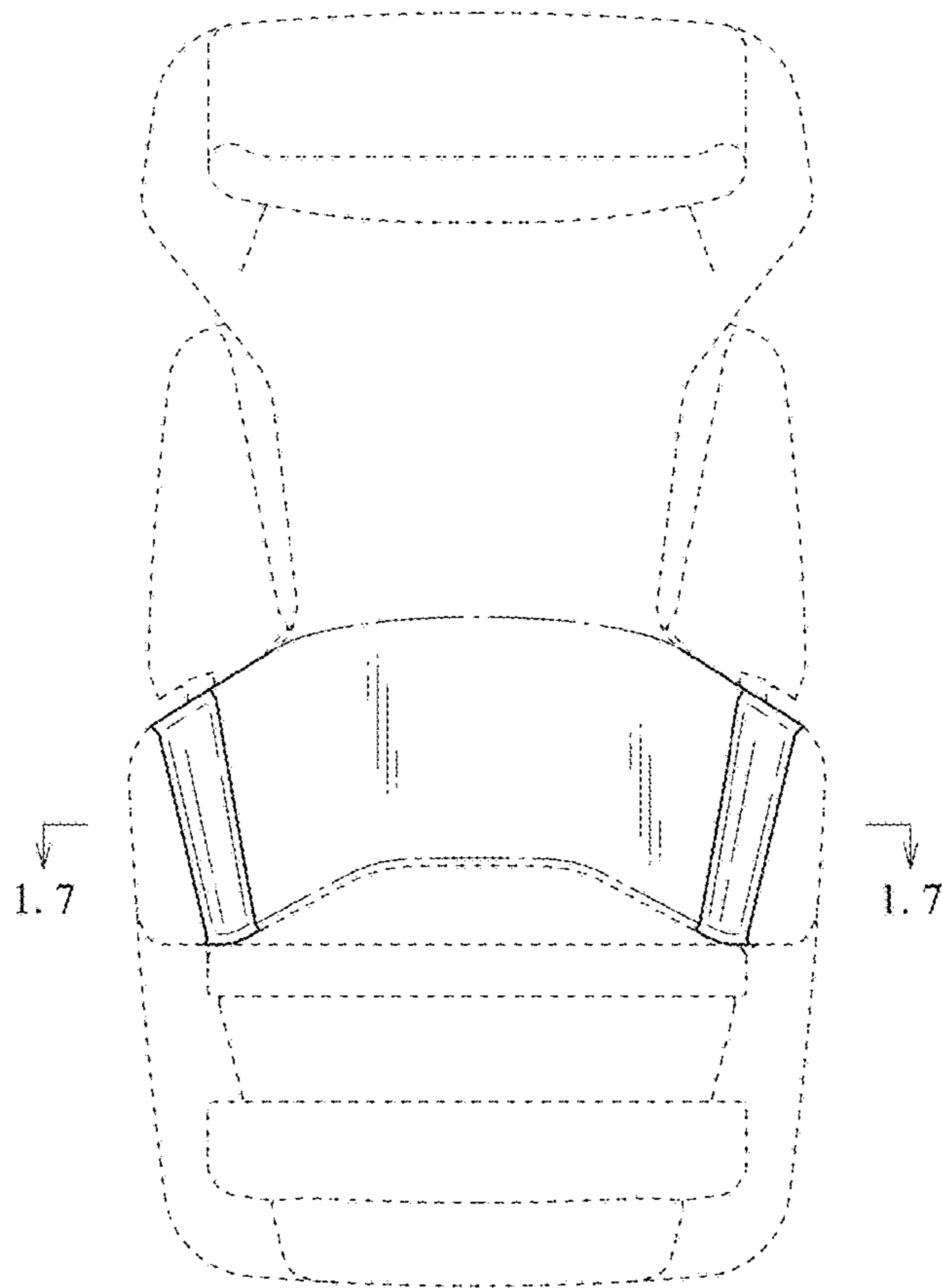
1 Claim, 7 Drawing Sheets



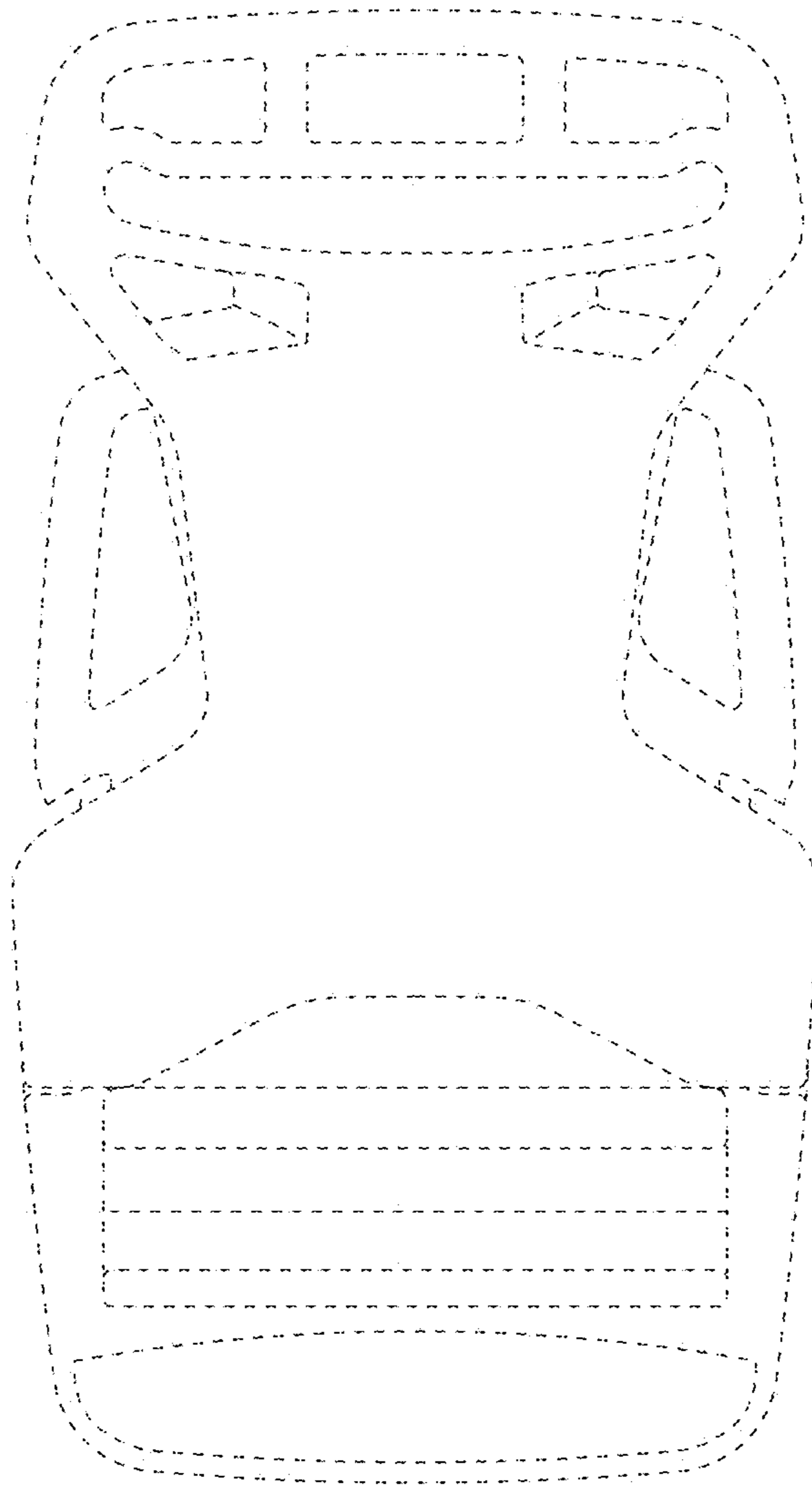
1. 1



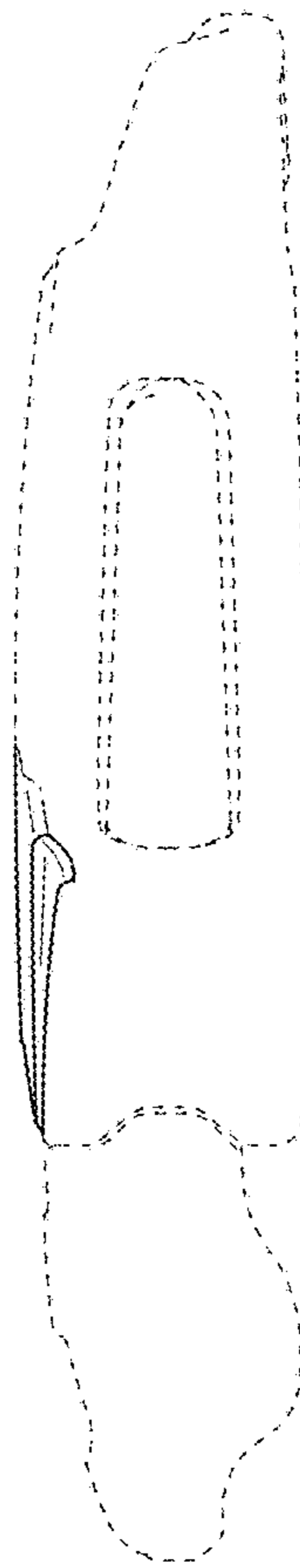
1.2



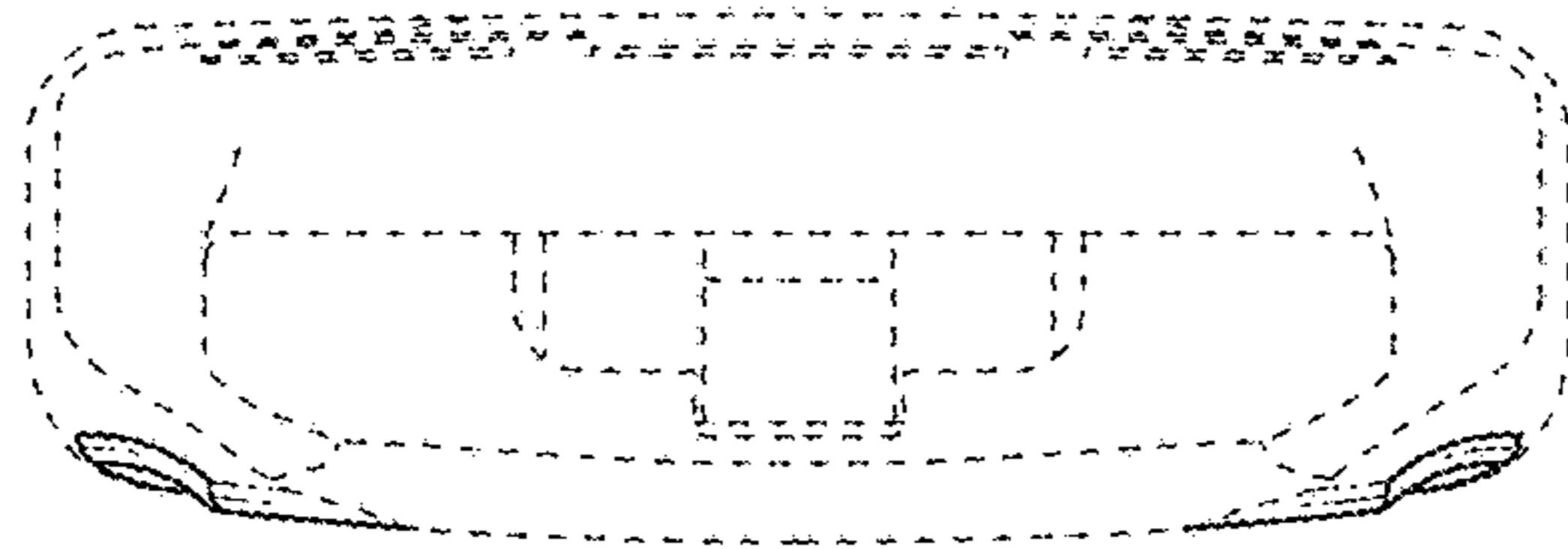
1.3



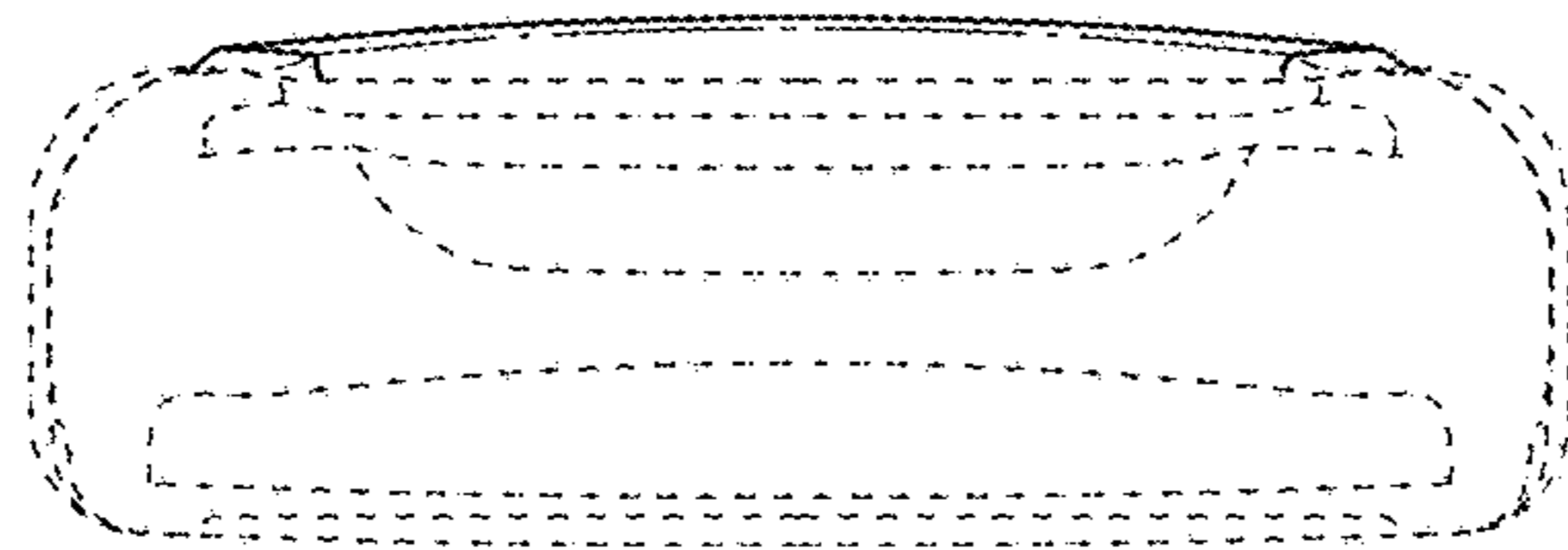
1.4



1.5



1.6



1.7

