



US00D850975S

(12) **United States Design Patent**
Gallo

(10) **Patent No.:** **US D850,975 S**

(45) **Date of Patent:** **** Jun. 11, 2019**

(54) **PLANT WATERING CAP**

(71) Applicant: **Steven W. Gallo**, Laval (CA)

(72) Inventor: **Steven W. Gallo**, Laval (CA)

(**) Term: **15 Years**

(21) Appl. No.: **29/624,873**

(22) Filed: **Nov. 4, 2017**

(51) **LOC (11) Cl.** **11-02**

(52) **U.S. Cl.**
USPC **D11/152**

(58) **Field of Classification Search**
USPC D6/403–405, 556–558; D11/143–156,
D11/164; D3/273, 279; D9/414, 424,
D9/432; D34/5, 11
CPC A01G 2009/003; A01G 9/00; A01G 9/02;
A01G 9/021; A01G 9/023; A01G 9/024;
A01G 9/025; A01G 9/029; A01G 9/0291;
A01G 9/0295; A01G 9/033; A01G 9/04;
A01G 9/042; A01G 9/012; A01G 5/04;
A47G 7/00; A47G 7/06; A47G 7/08
See application file for complete search history.

(56) **References Cited**

U.S. PATENT DOCUMENTS

- 915,897 A * 3/1909 Skorness A01G 13/0281
47/32
- 4,986,025 A * 1/1991 Imperial A01G 13/0281
47/2
- 5,294,012 A * 3/1994 Shott B65F 1/0066
220/23.4
- 5,711,106 A * 1/1998 Ellis A01G 9/28
47/32
- 5,918,411 A * 7/1999 Hadrava A01G 13/0281
47/21.1

- D416,214 S * 11/1999 Conner D11/143
- 6,161,333 A * 12/2000 Poston A01G 9/02
47/86
- D446,746 S * 8/2001 Simmons D11/143
- D463,318 S * 9/2002 McKendree D11/143
- 7,160,054 B2 * 1/2007 Smiley A01G 13/0281
404/35
- D653,990 S * 2/2012 Cherry D11/164
- 8,132,358 B1 * 3/2012 Wells A01G 13/0268
47/21.1
- 9,115,507 B2 * 8/2015 Wyrostek E04H 12/2292

* cited by examiner

Primary Examiner — Elizabeth A. Albert

(74) *Attorney, Agent, or Firm* — Harlow, Josephs & Holmes, Ltd.

(57) **CLAIM**

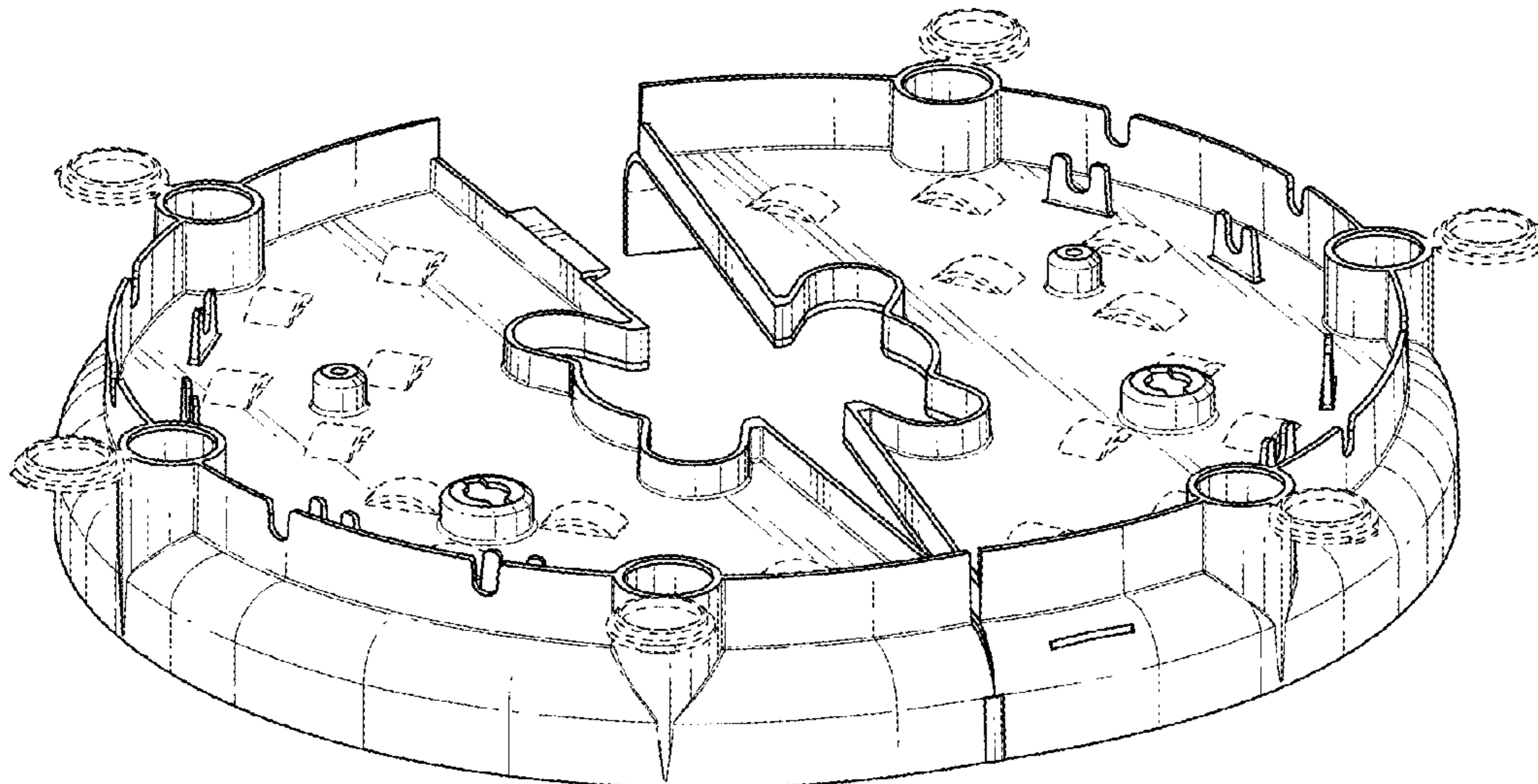
The ornamental design for a plant watering cap, as shown and described.

DESCRIPTION

FIG. 1 is a top perspective view of a plant watering cap showing my new design;
 FIG. 2 is a bottom perspective view thereof;
 FIG. 3 is a top view thereof;
 FIG. 4 is a bottom view thereof;
 FIG. 5 is a left side view thereof;
 FIG. 6 is a front view thereof;
 FIG. 7 is a right side view thereof;
 FIG. 8 is a top perspective view of another exemplary embodiment of a plant watering cap in accordance with the present design; and,
 FIG. 9 is a top view thereof.

The broken lines in the drawings are included to show portions of the plant watering cap that form no part of the claimed design.

1 Claim, 4 Drawing Sheets



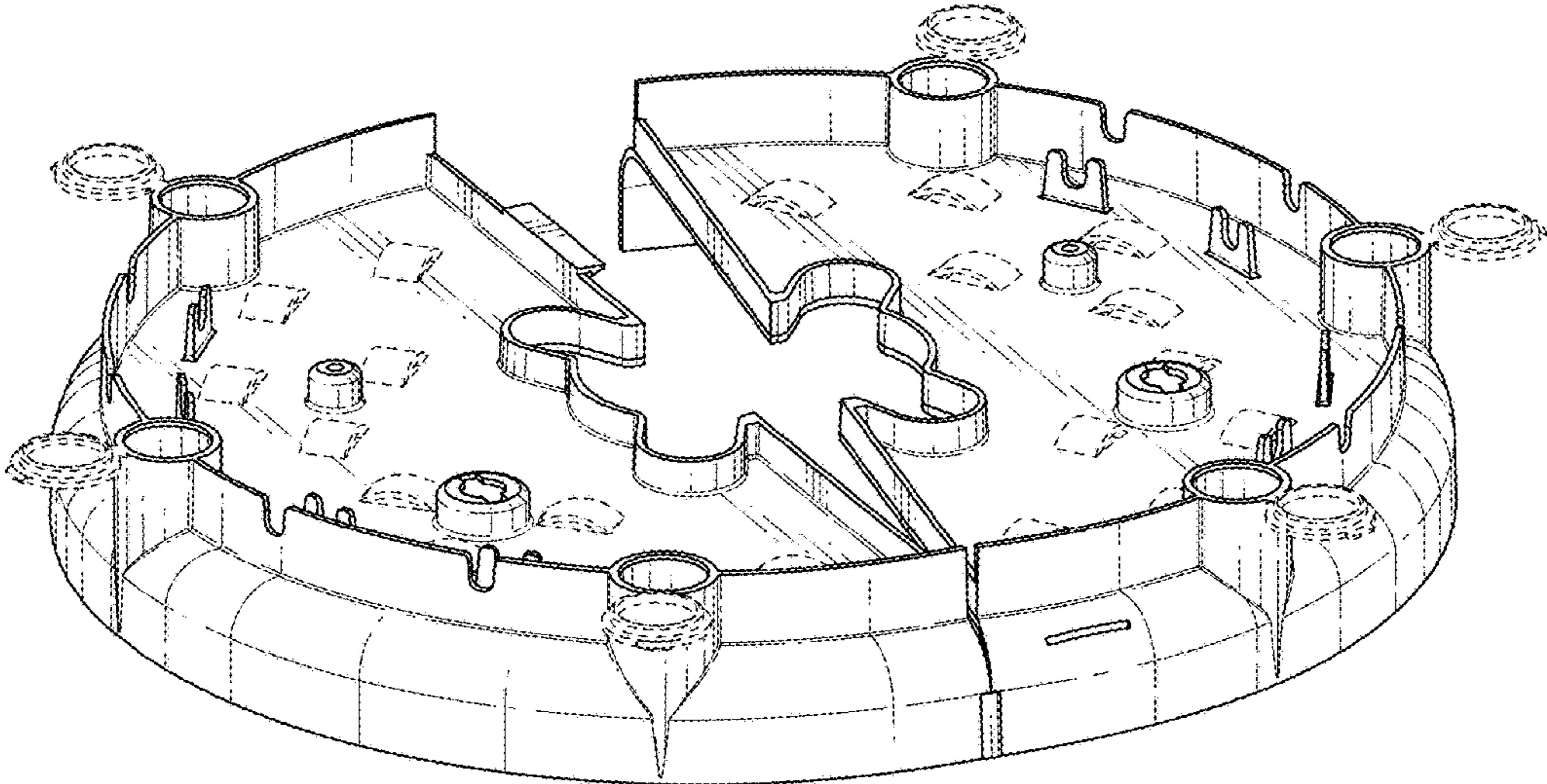


FIG. 1

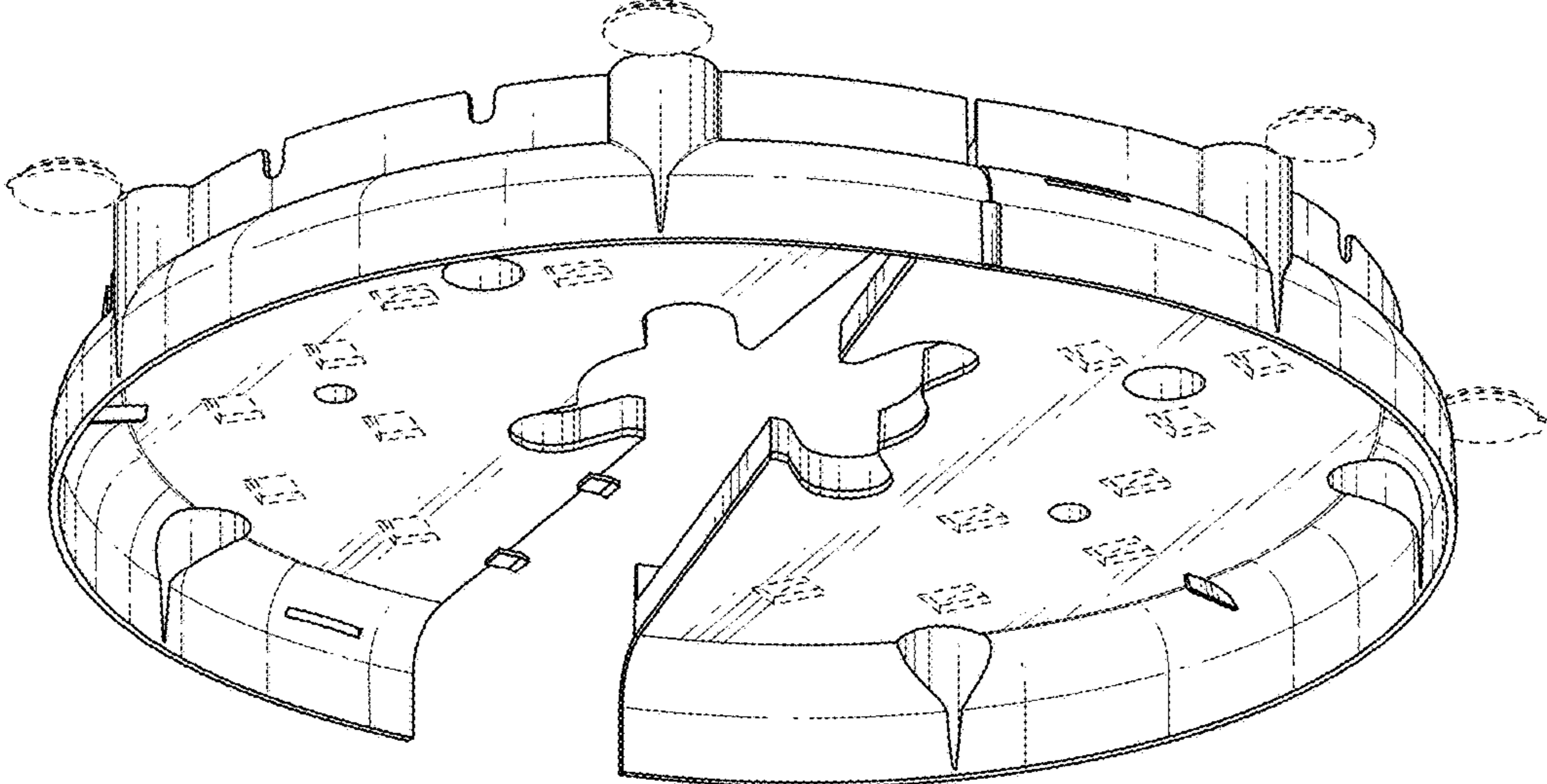


FIG. 2

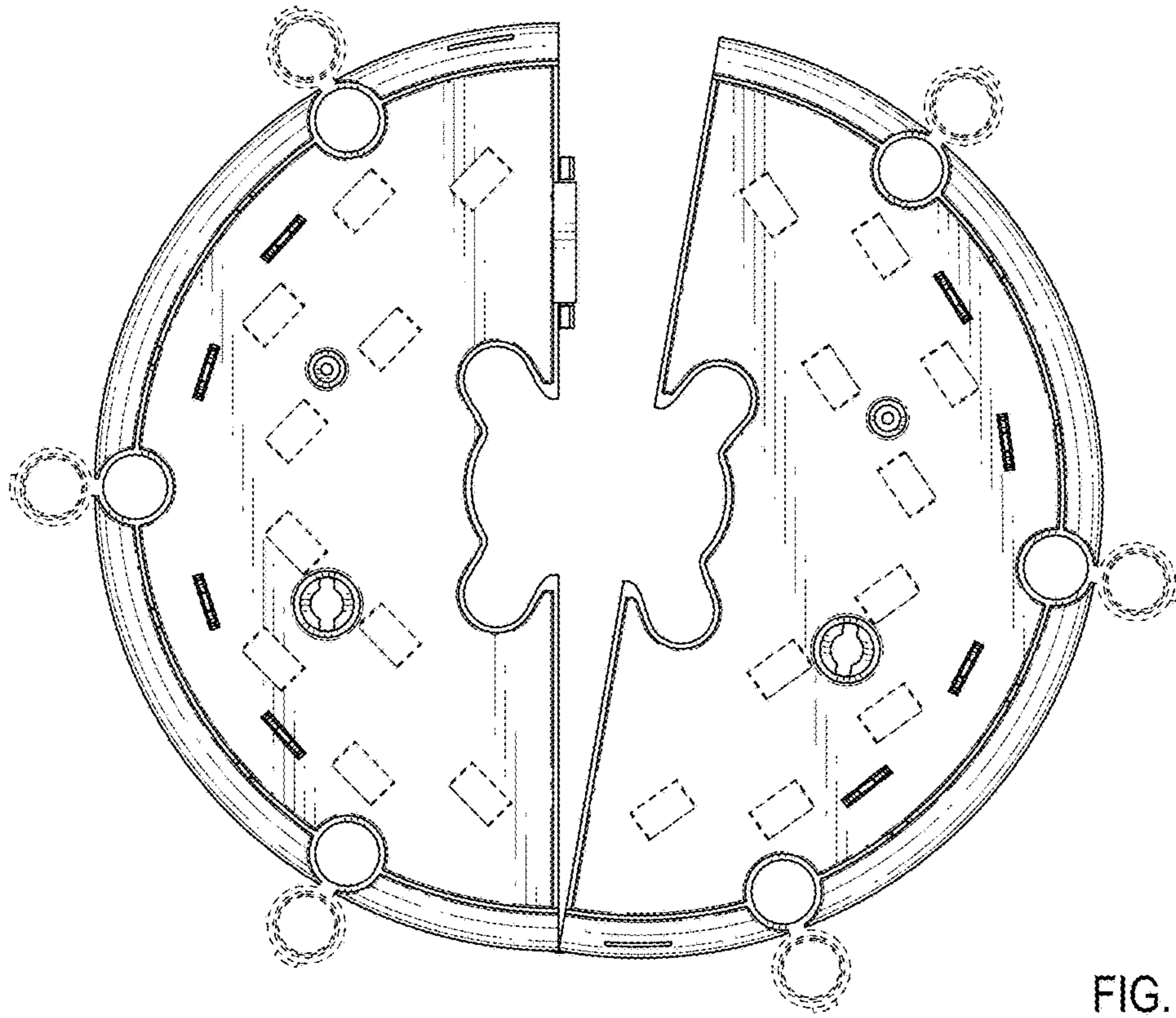


FIG. 3

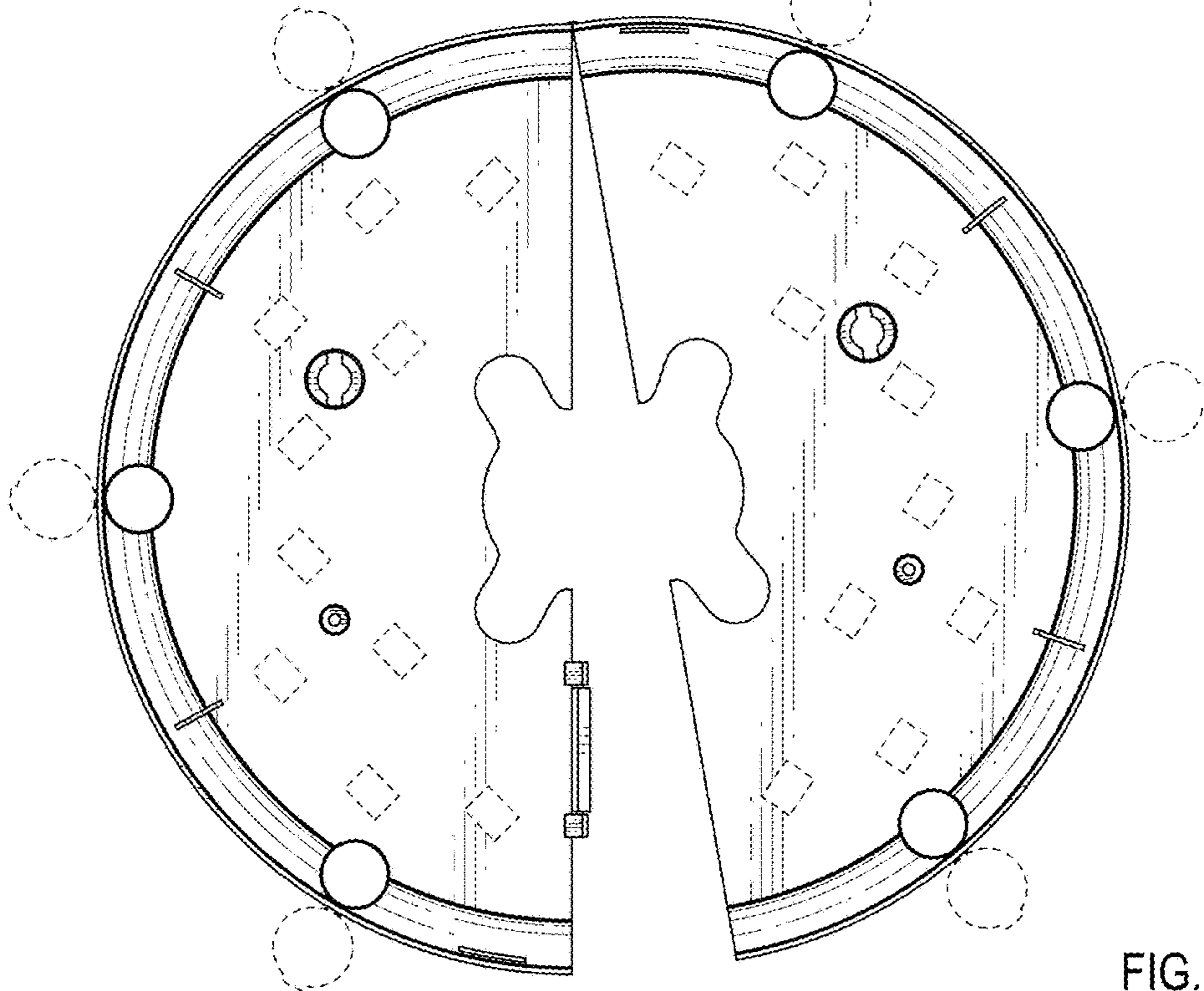


FIG. 4

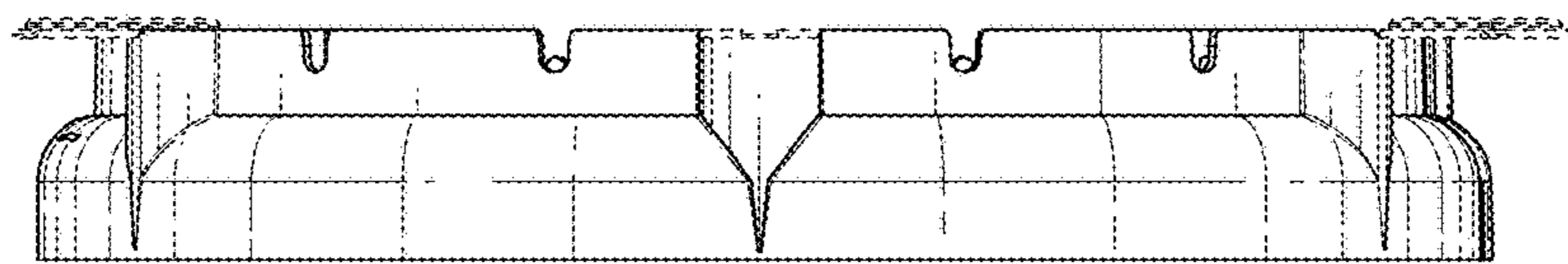


FIG. 5

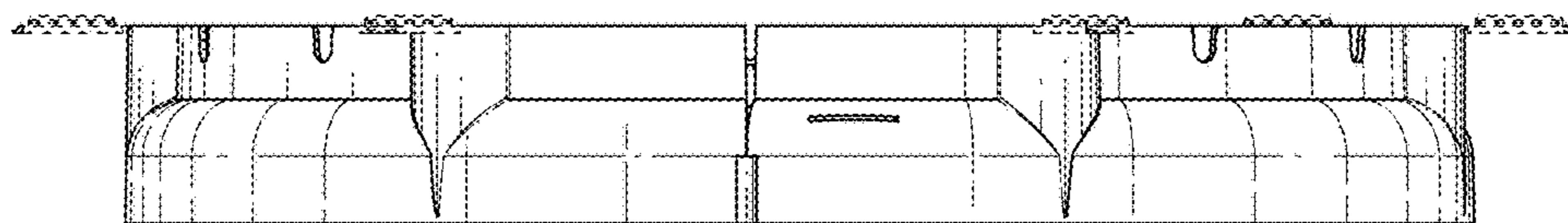


FIG. 6

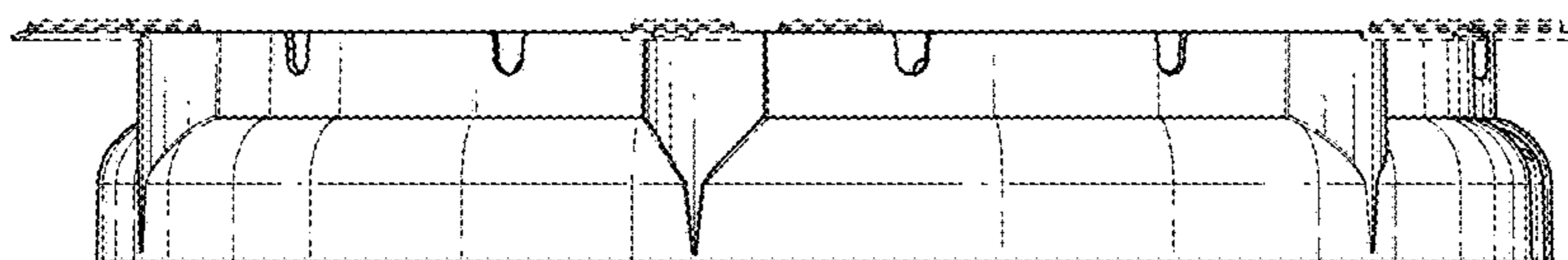


FIG. 7

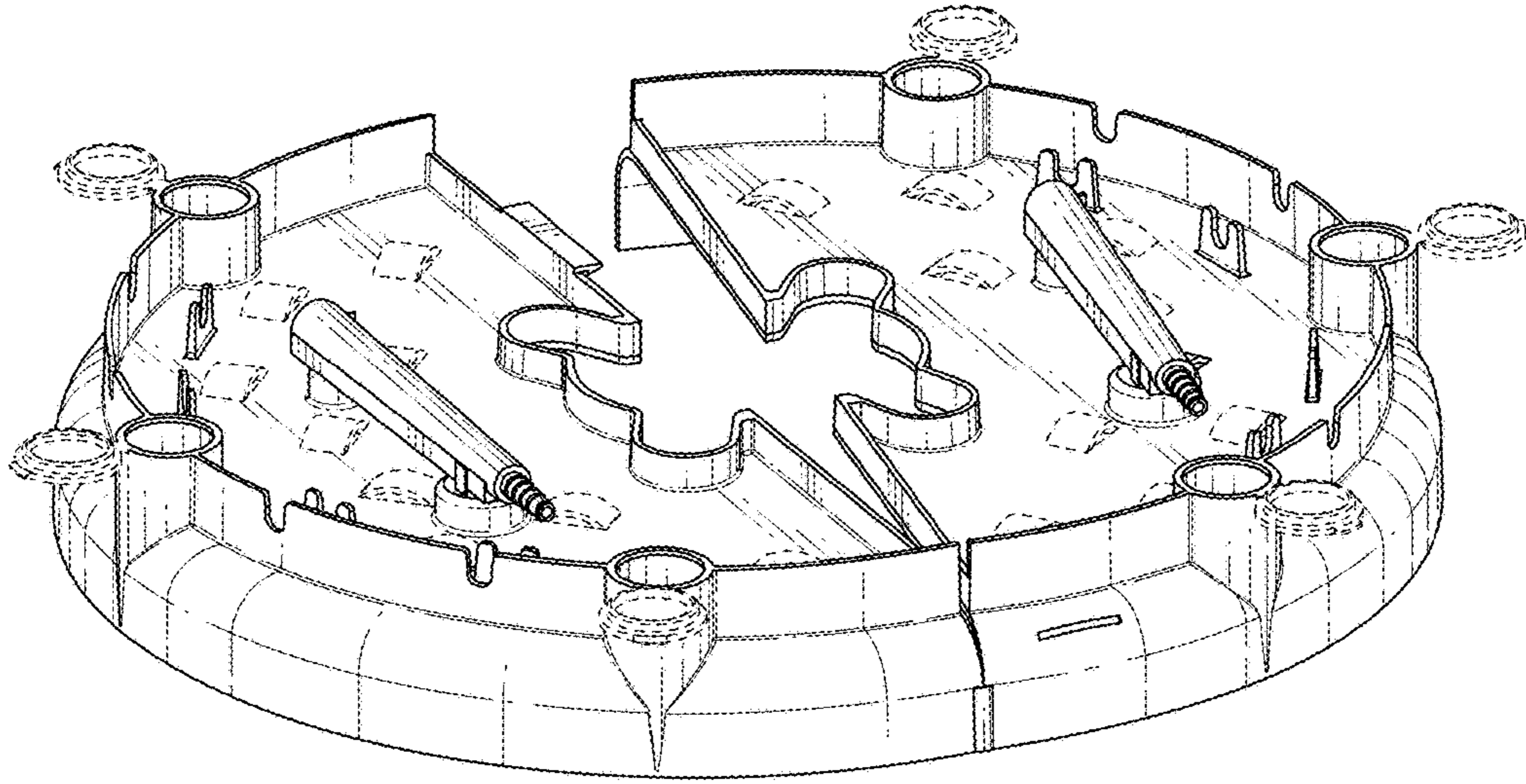


FIG. 8

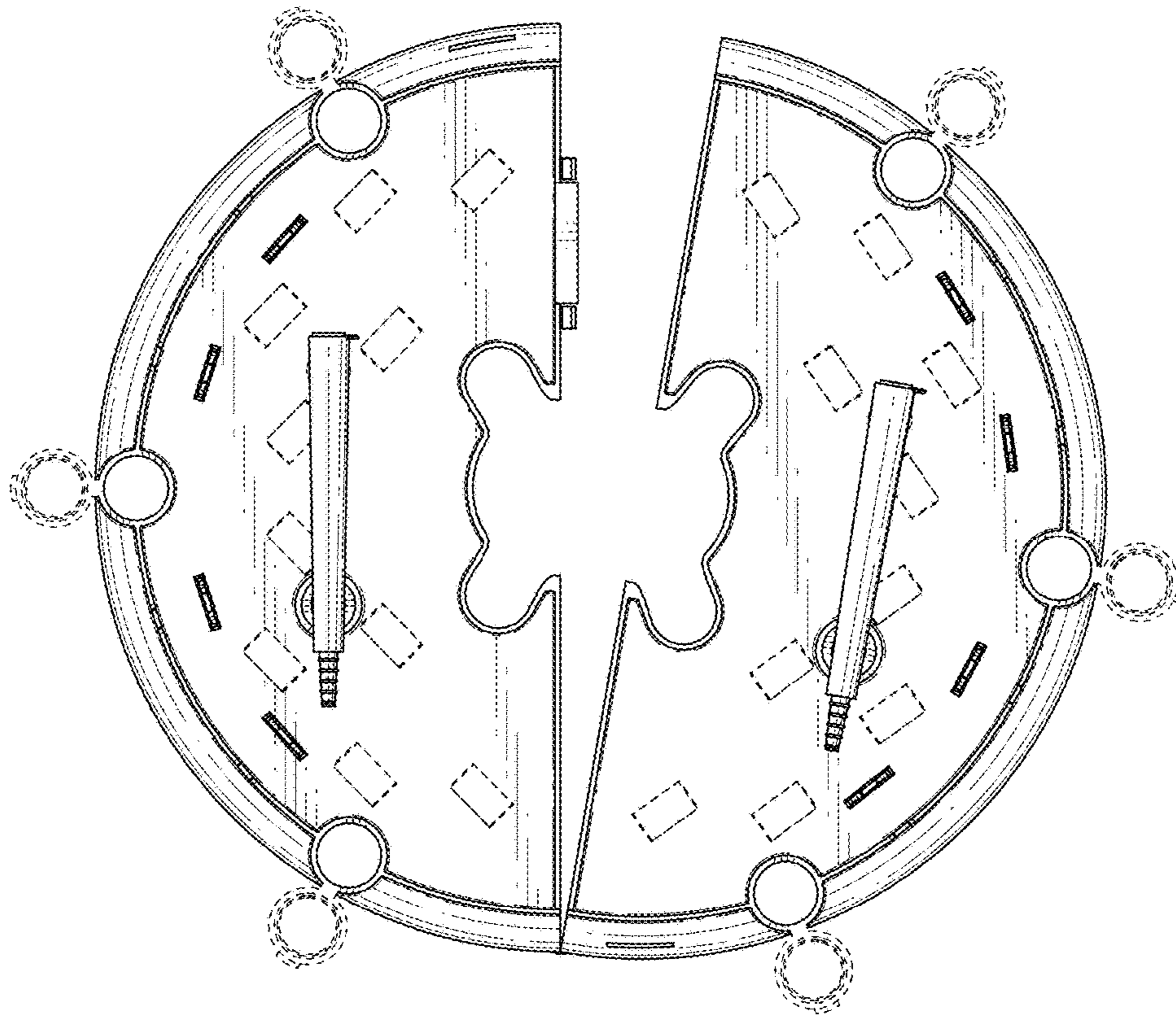


FIG. 9