

US00D850972S

(12) **United States Design Patent** (10) **Patent No.:** **US D850,972 S**
Saito (45) **Date of Patent:** **** Jun. 11, 2019**

(54) **PRECIOUS STONE BASE FOR PENDANTS**

(71) Applicant: **Masahide Saito**, Narashino (JP)

(72) Inventor: **Masahide Saito**, Narashino (JP)

(**) Term: **15 Years**

(21) Appl. No.: **29/622,913**

(22) Filed: **Oct. 20, 2017**

(30) **Foreign Application Priority Data**

Apr. 21, 2017 (JP) 2017-008636

(51) **LOC (11) Cl.** **11-01**

(52) **U.S. Cl.**
USPC **D11/92**

(58) **Field of Classification Search**
USPC D11/34-36, 40-43, 79, 86, 91, 92
CPC A44C 1/00; A44C 17/02; A44C 17/0208;
A44C 17/0258; A44C 17/0266; A44C
17/0275; A44C 17/0283; A44C 17/029;
A44C 7/00; A44C 7/004; A44C 9/00
See application file for complete search history.

(56) **References Cited**

U.S. PATENT DOCUMENTS

2,726,521 A * 12/1955 Melik-Minassiantz
A44C 17/02
63/27
D436,885 S * 1/2001 Manfredi D11/91
D462,291 S * 9/2002 Kharloubian D11/91
D476,259 S * 6/2003 Kharloubian D11/91
D546,235 S * 7/2007 Sabet D11/91
D602,807 S * 10/2009 Colombani D11/92
D691,510 S * 10/2013 Ho D11/92

D716,686 S * 11/2014 Dobashi D11/91
D755,666 S * 5/2016 Cipolla D11/92
D771,518 S * 11/2016 Dobashi D11/130
D794,499 S * 8/2017 Hardy D11/92
9,888,749 B1 * 2/2018 Kawakami A44C 17/0275
D813,718 S * 3/2018 Bhansali D11/93
D819,484 S * 6/2018 Dobashi D11/92
2003/0110797 A1 * 6/2003 Kimura A44C 17/0275
63/31
2012/0151963 A1 * 6/2012 Dobashi A44C 17/0275
63/26
2013/0239613 A1 * 9/2013 Shah A44C 17/0275
63/27
2015/0075220 A1 * 3/2015 Dobashi A44C 17/0275
63/26

* cited by examiner

Primary Examiner — Cynthia Ramirez

Assistant Examiner — L. Martinez

(74) *Attorney, Agent, or Firm* — Oliff PLC

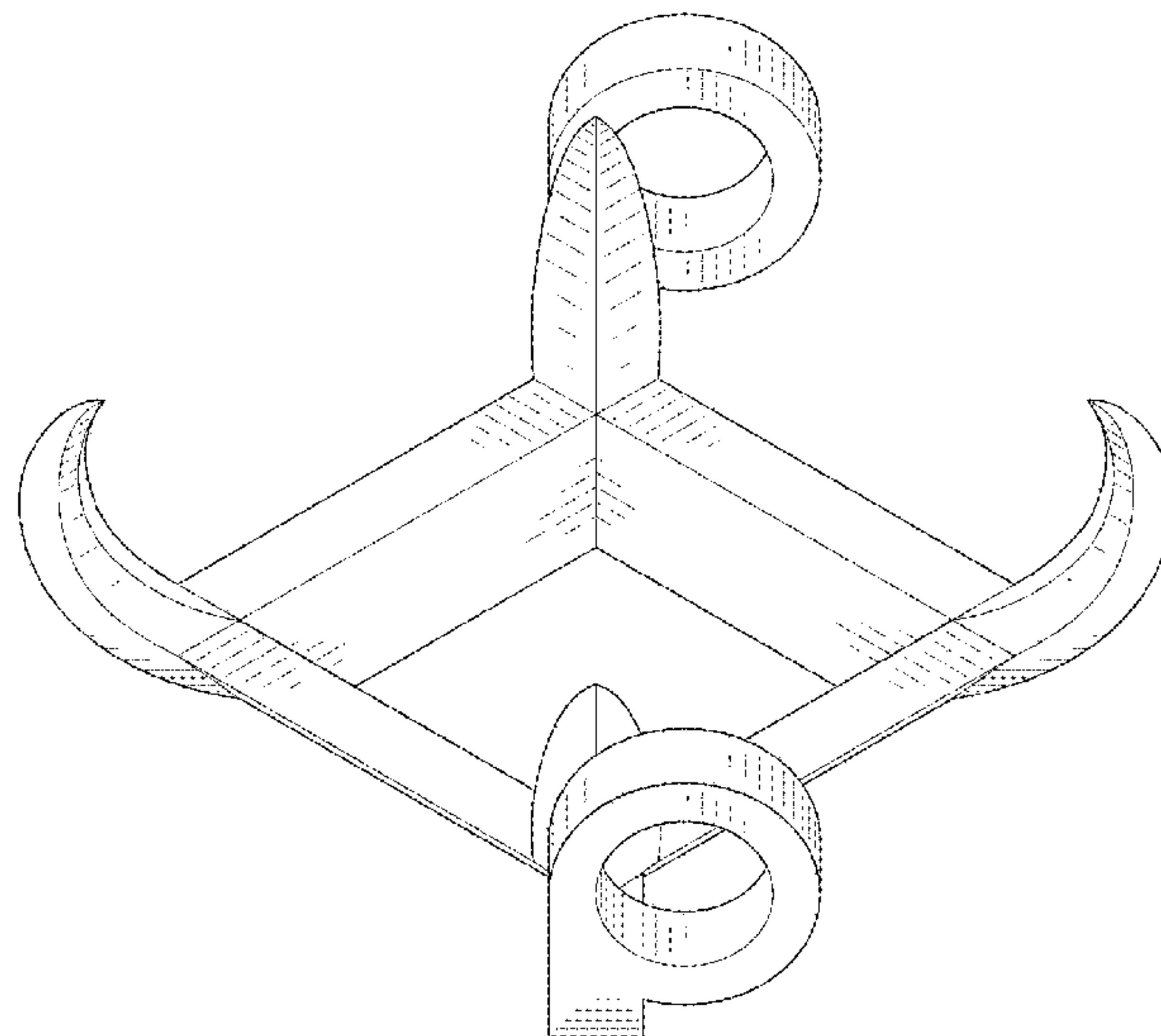
(57) **CLAIM**

The ornamental design for a precious stone base for pendants, as shown and described.

DESCRIPTION

FIG. 1 is a front perspective view of a precious stone base for pendants showing my new design;
 FIG. 2 is a rear perspective view thereof;
 FIG. 3 is a front view thereof;
 FIG. 4 is a rear view thereof;
 FIG. 5 is a right-side view thereof;
 FIG. 6 is a left-side view thereof;
 FIG. 7 is a top view thereof; and,
 FIG. 8 is a bottom view thereof.

1 Claim, 6 Drawing Sheets



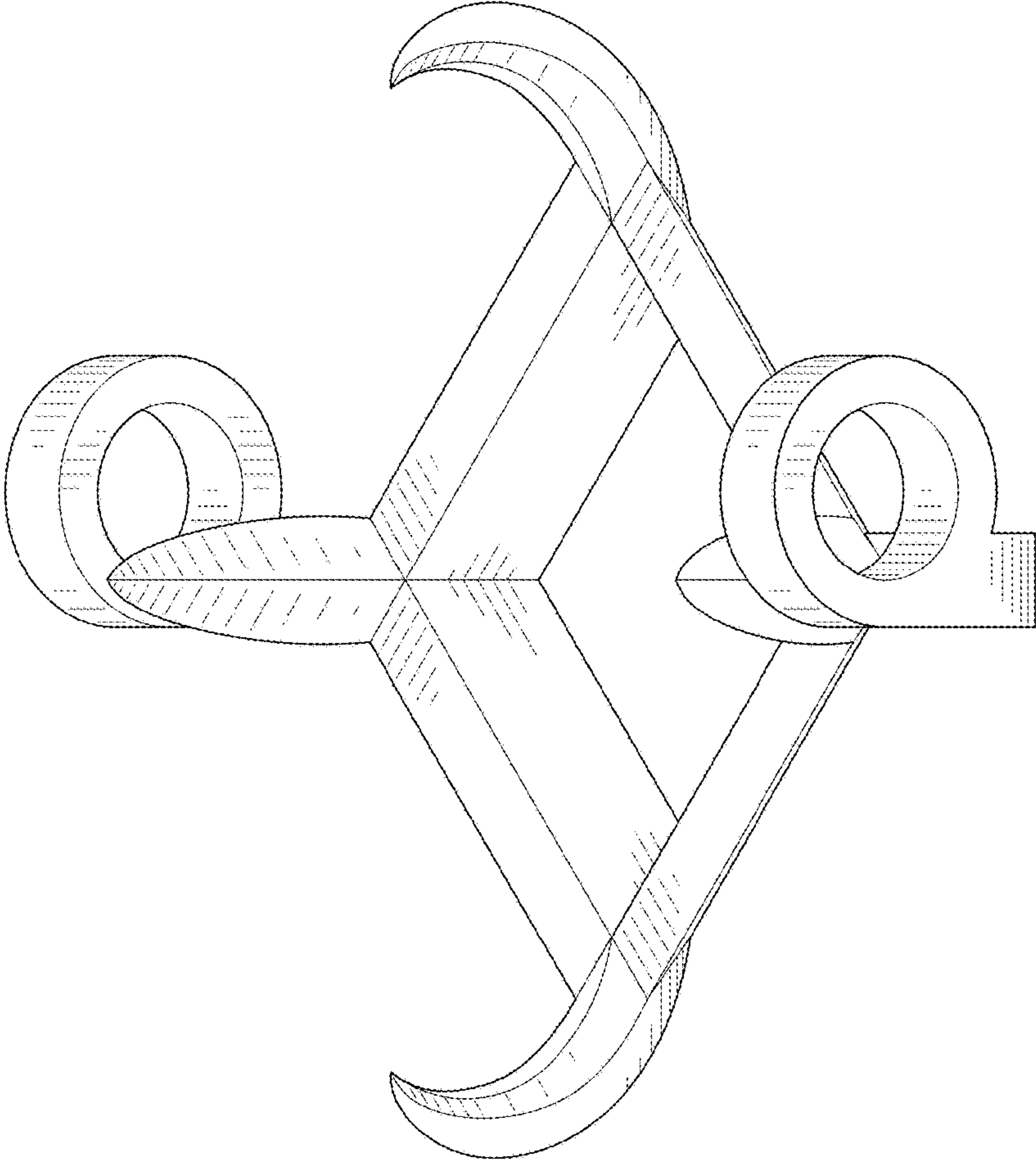


FIG. 1

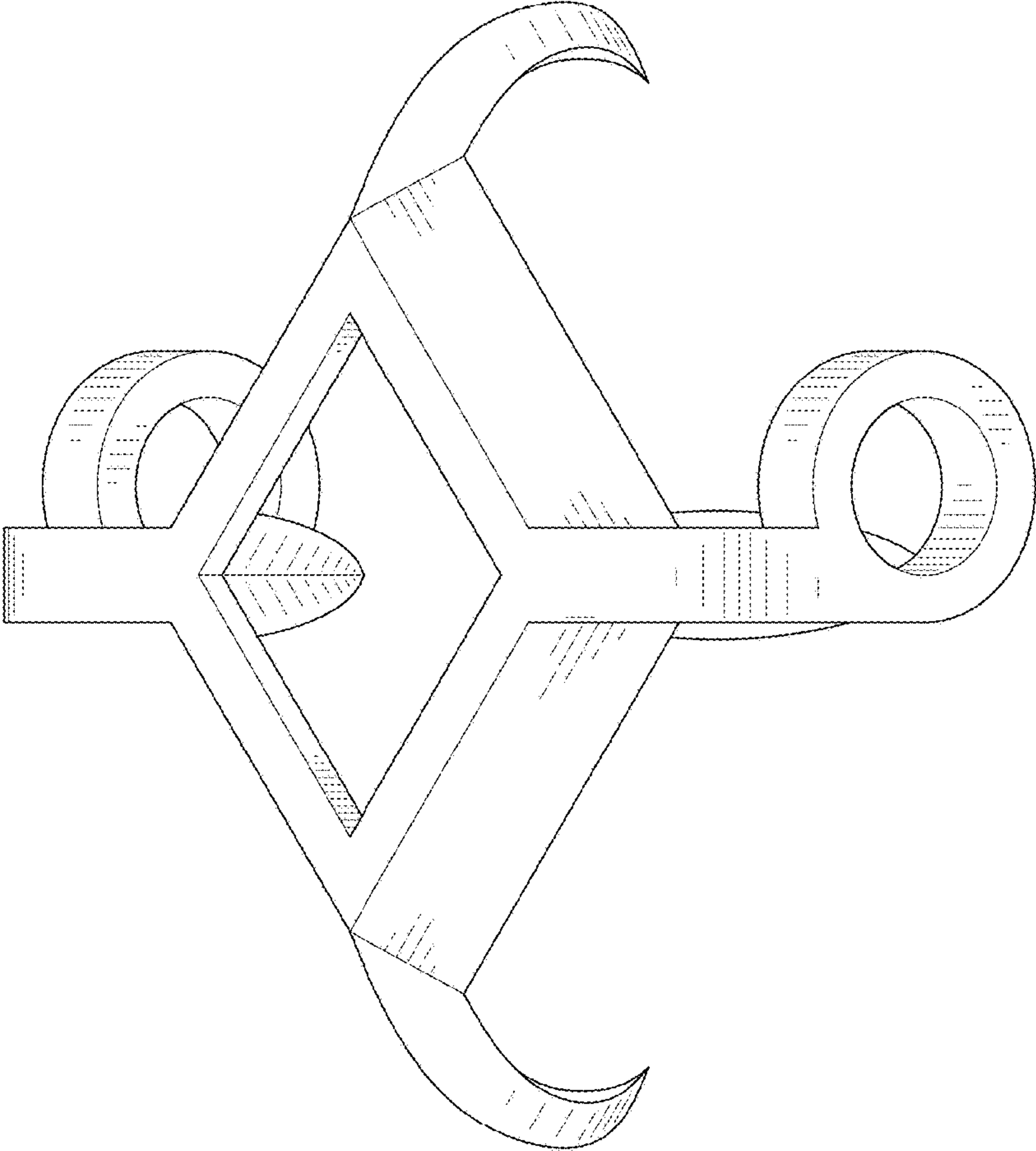


FIG. 2

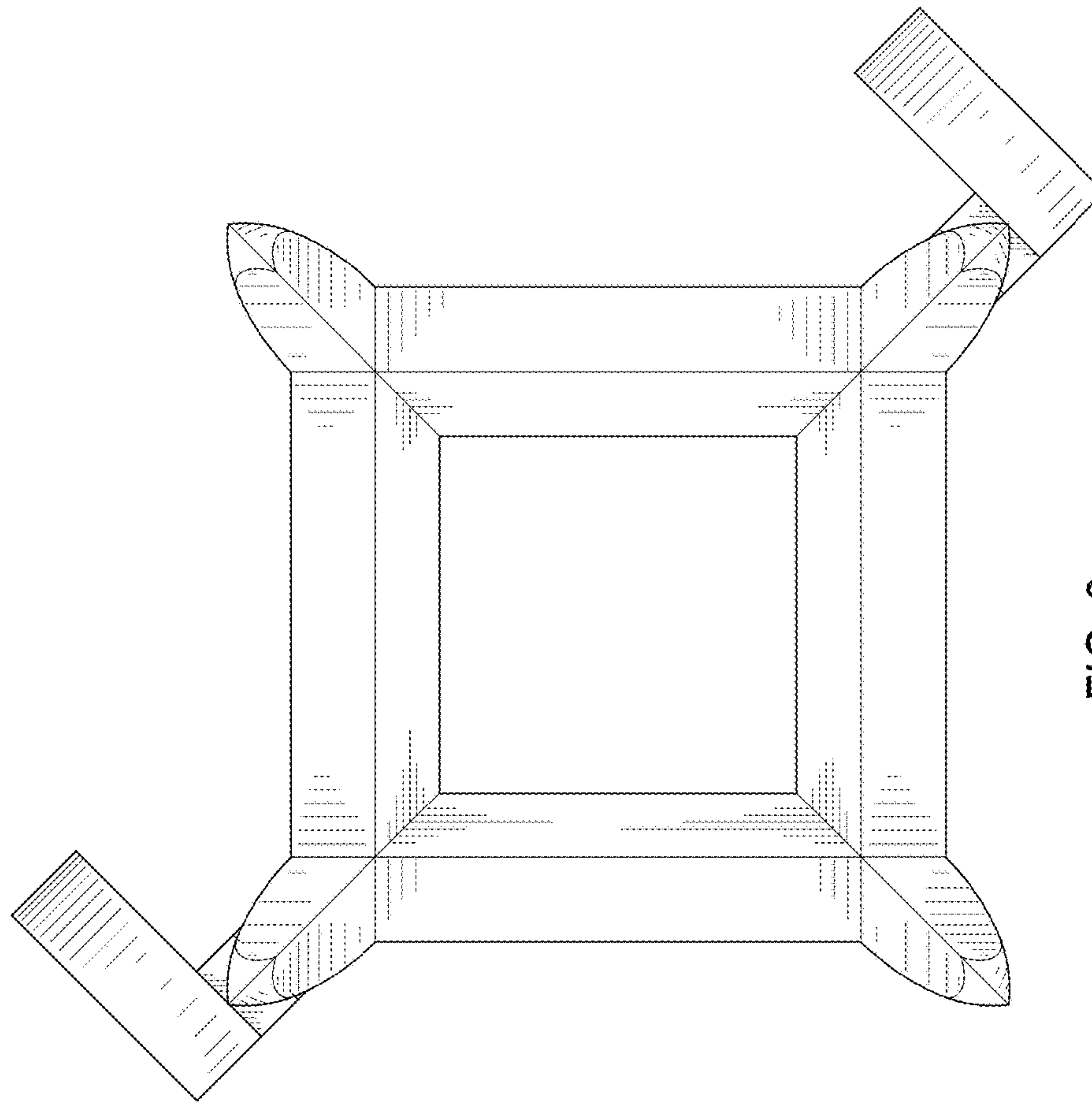


FIG. 3

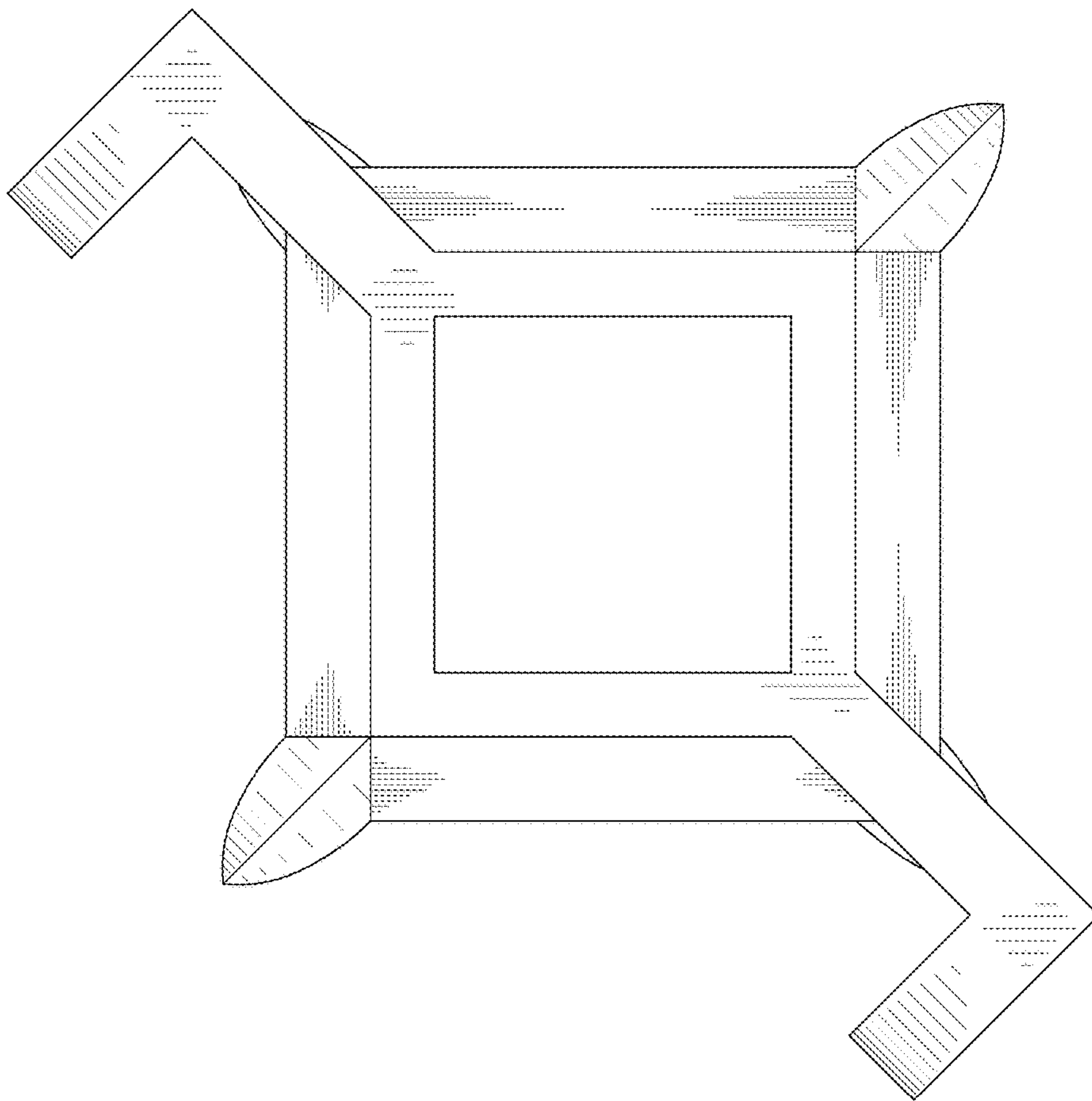


FIG. 4

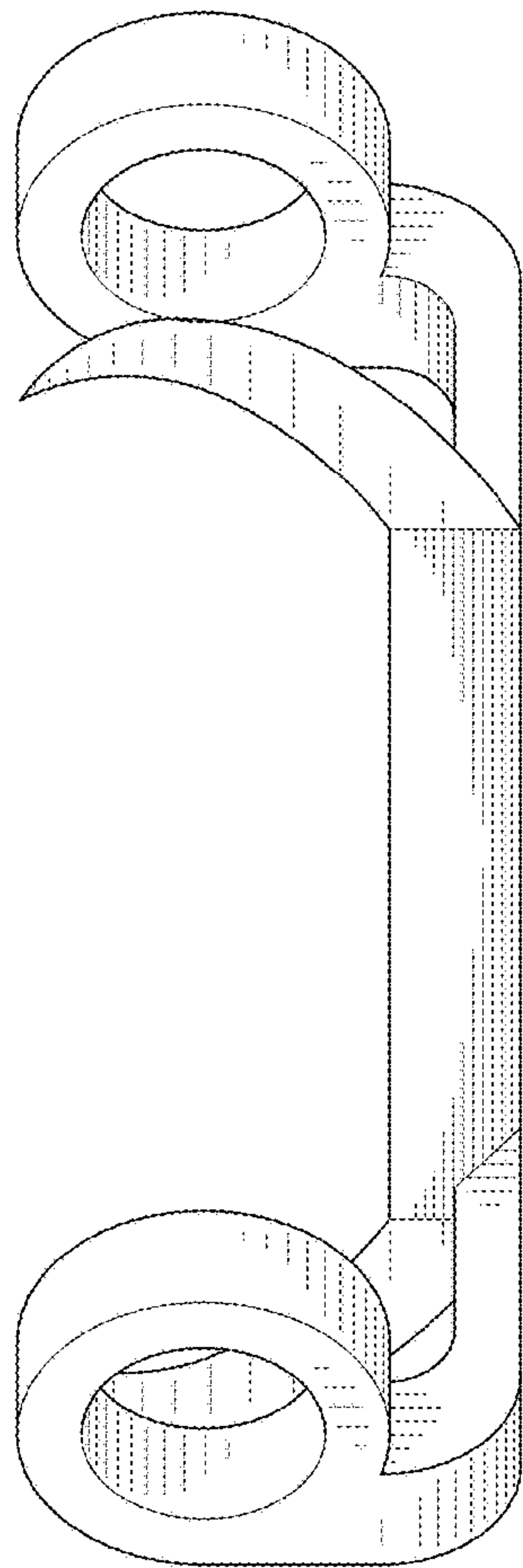


FIG. 5

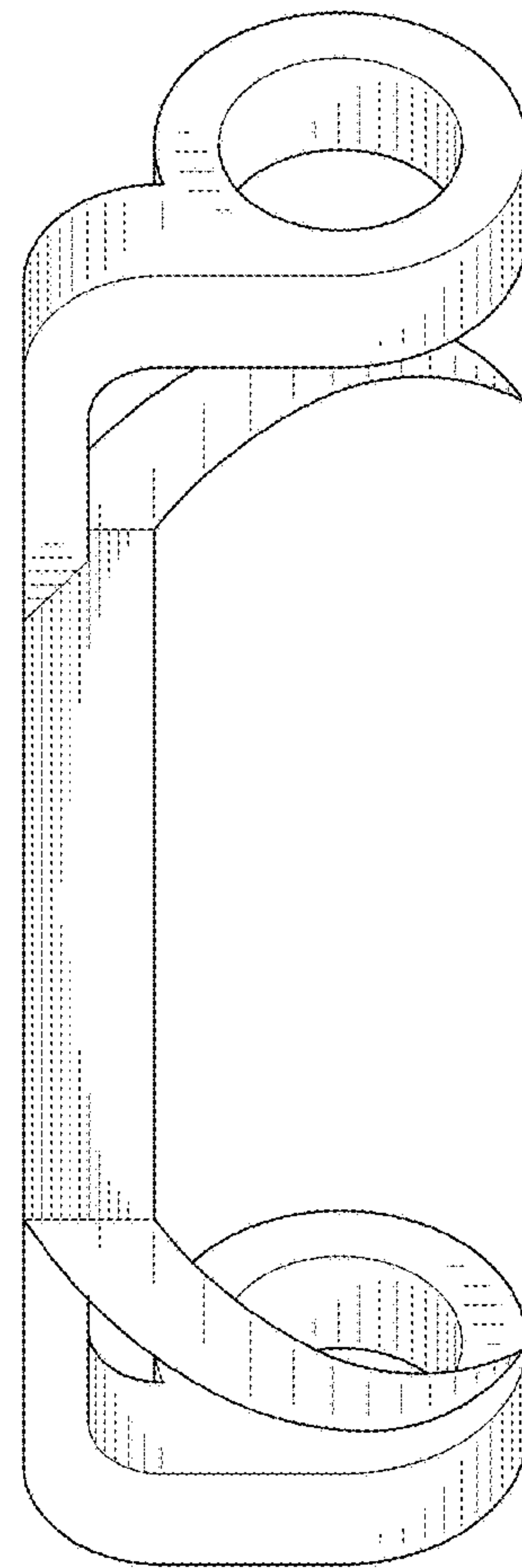


FIG. 6

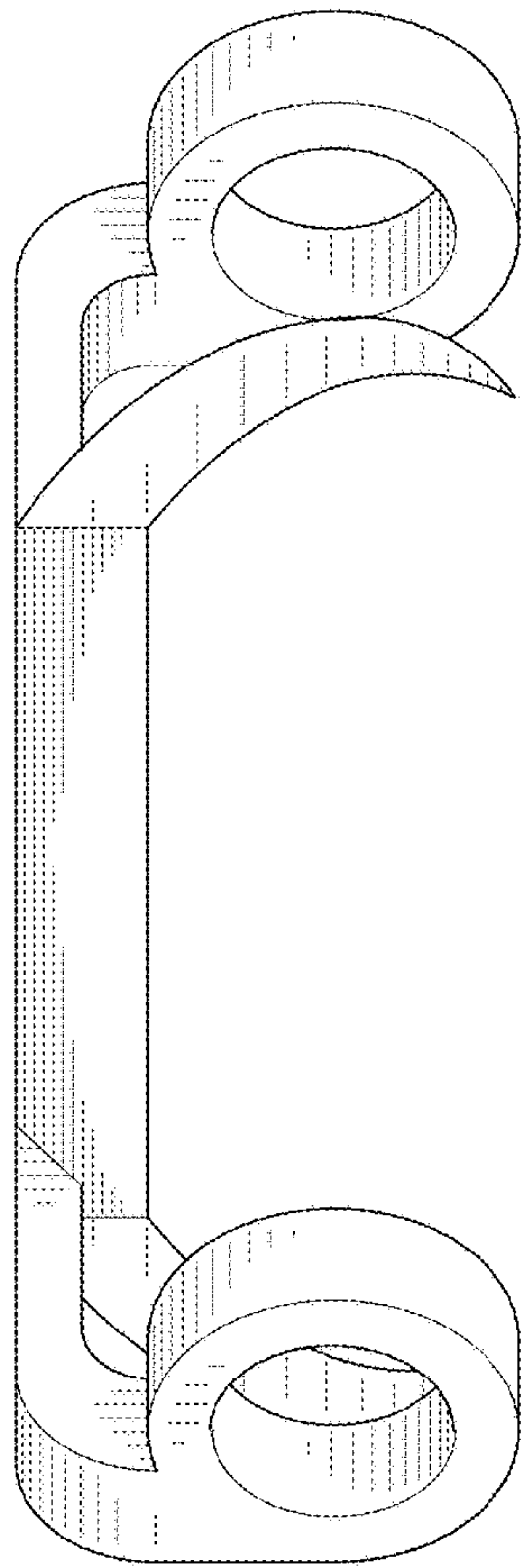


FIG. 7

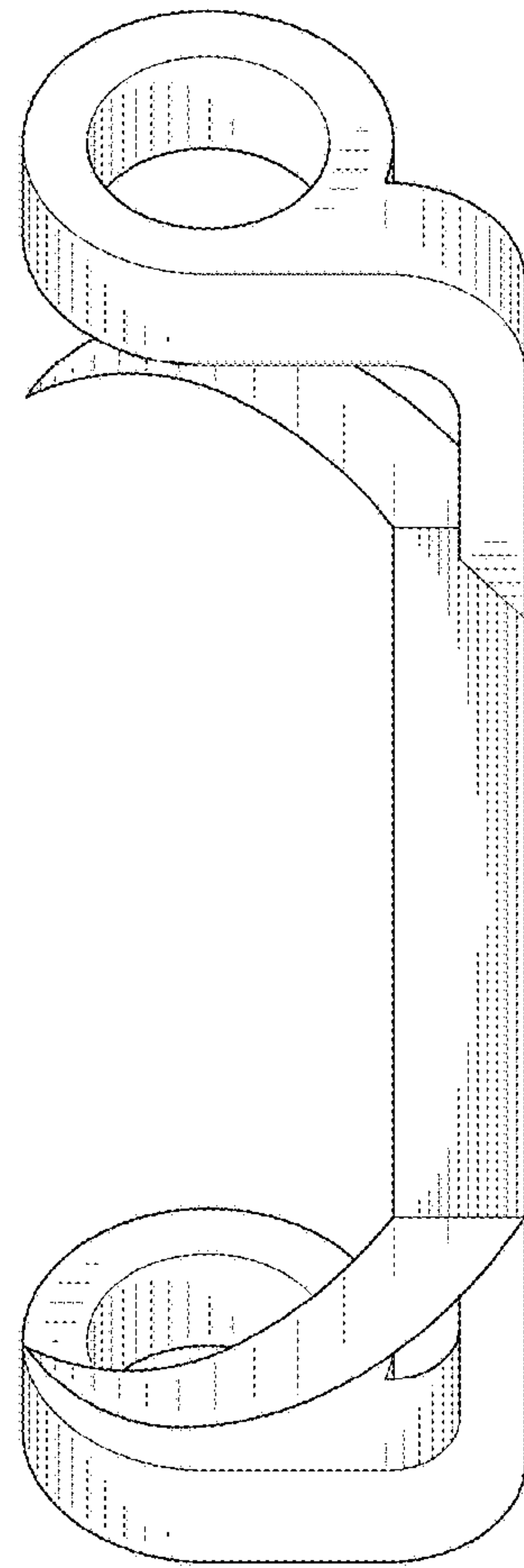


FIG. 8