



US00D850969S

(12) **United States Design Patent** (10) **Patent No.:** **US D850,969 S**  
**Brown et al.** (45) **Date of Patent:** **\*\* Jun. 11, 2019**

(54) **WATCHBAND**

(71) Applicants: **Zackary Ryan Brown**, Cedar Park, TX (US); **Jackilyn Dianne Brown**, Cedar Park, TX (US)

(72) Inventors: **Zackary Ryan Brown**, Cedar Park, TX (US); **Jackilyn Dianne Brown**, Cedar Park, TX (US)

(\*\*) Term: **15 Years**

(21) Appl. No.: **29/608,749**

(22) Filed: **Jun. 26, 2017**

(51) **LOC (11) Cl.** ..... **11-01**

(52) **U.S. Cl.**  
USPC ..... **D11/3**

(58) **Field of Classification Search**  
USPC ..... D10/31, 32, 38, 39, 46, 70; D11/1-25, D11/86, 87; D14/344  
CPC .... A44C 5/12; A44C 5/14; A44C 5/18; A44C 5/0053; A44C 5/0069; A44C 5/0076; A44C 5/00; A44C 5/0007; A44C 5/0015; A44C 5/0023; A44C 5/003; A44C 5/0061; A44C 5/147; A44C 5/185; A44C 5/2047; A44C 5/2052; G04B 37/00; G04B 37/1486; A44B 11/006; A44B 11/24

See application file for complete search history.

(56) **References Cited**

**U.S. PATENT DOCUMENTS**

3,274,617	A *	9/1966	Krantz	.....	A44B 11/24
					2/301
D675,123	S *	1/2013	Nunez	.....	D11/3
D739,273	S *	9/2015	Behar	.....	D10/39
D740,693	S *	10/2015	Carmichael	.....	D10/32
D792,262	S *	7/2017	Rosenbaum	.....	D11/5
D810,604	S *	2/2018	Ross	.....	D11/4
D812,051	S *	3/2018	Park	.....	D14/344

D815,555	S *	4/2018	Vandekop	.....	D11/5
2017/0188669	A1 *	7/2017	Dukerschein	.....	A44C 5/2071
2018/0235325	A1 *	8/2018	Samardzija	.....	A44C 5/003

**OTHER PUBLICATIONS**

Triple Tour Watch Band (available online Oct. 9, 2015) Retrieved from the internet Sep. 28, 2018 from URL: <https://arrowandboard.com/products/apple-watch-triple-tour-band-medium-brown#shopify-product-reviews>.\*

Sony SmartWatch 3 SWR50 (available online) Retrieved from the internet Sep. 28, 2018 from URL: <https://hum3d.com/3d-models/sony-smartwatch-3-swr50-yellow/>.\*

Arrow and Board Split Double Tour Apple Watch Band (available online Feb. 8, 2016) Retrieved from the internet Sep. 28, 2018 from URL: <https://imgur.com/gallery/wDxhX>.\*

\* cited by examiner

*Primary Examiner* — Kevin K Rudzinski

*Assistant Examiner* — Richard Kearney

(74) *Attorney, Agent, or Firm* — Dunlap Bennett & Ludwig PLLC; Brendan E. Squire

(57) **CLAIM**

The ornamental design for a watchband, as shown and described.

**DESCRIPTION**

FIG. 1 is a top, front perspective view of a watchband showing our new design;

FIG. 2 is a front elevation view thereof;

FIG. 3 is a rear elevation view thereof;

FIG. 4 is a right elevation view thereof;

FIG. 5 is a left elevation view thereof;

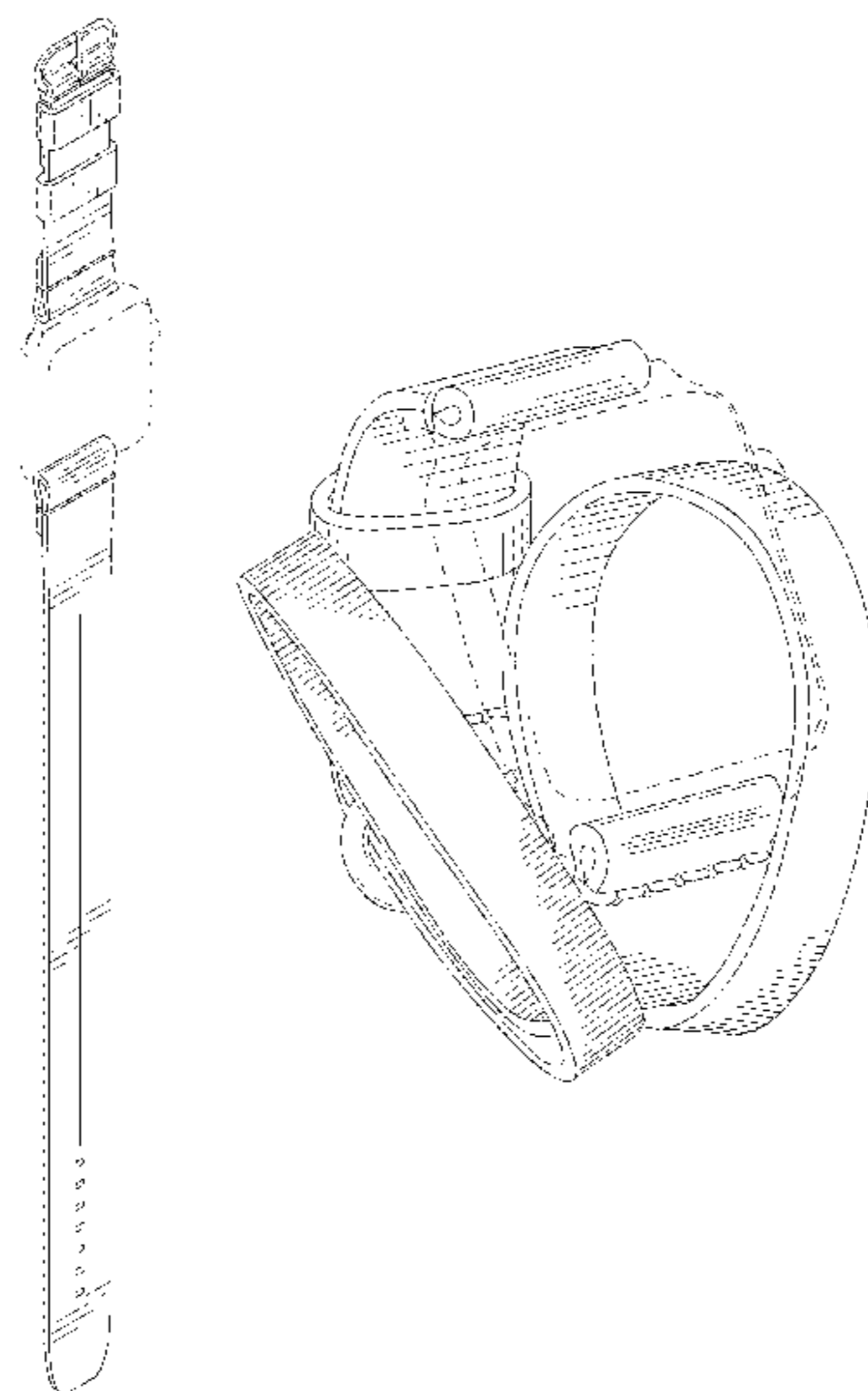
FIG. 6 is a top plan view thereof;

FIG. 7 is a bottom plan view thereof; and,

FIG. 8 is a top front perspective view thereof, shown in the wrapped position.

The broken lines in the drawings illustrate environment and forms no part of the claimed design.

**1 Claim, 3 Drawing Sheets**



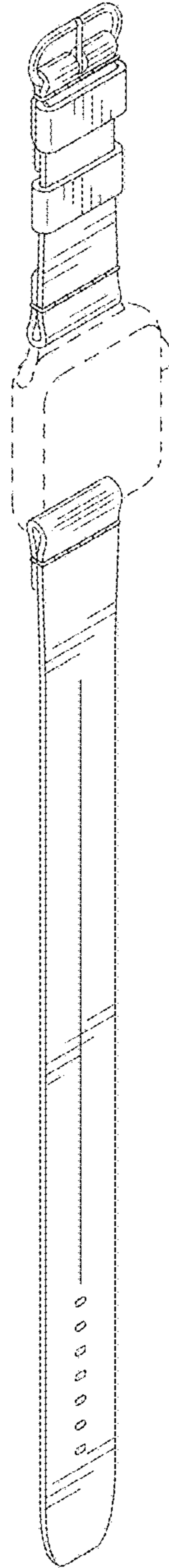


FIG.1

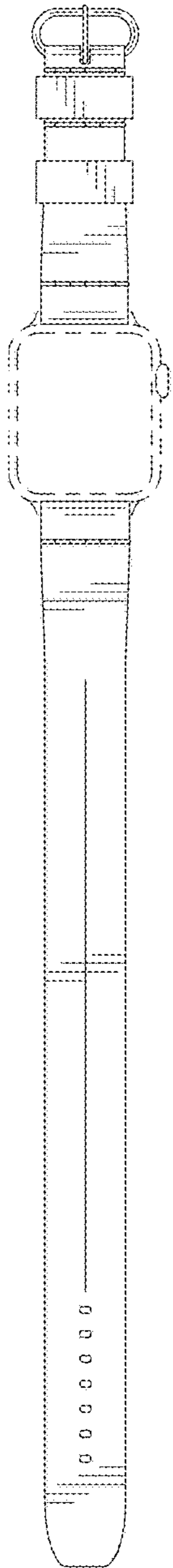


FIG. 2

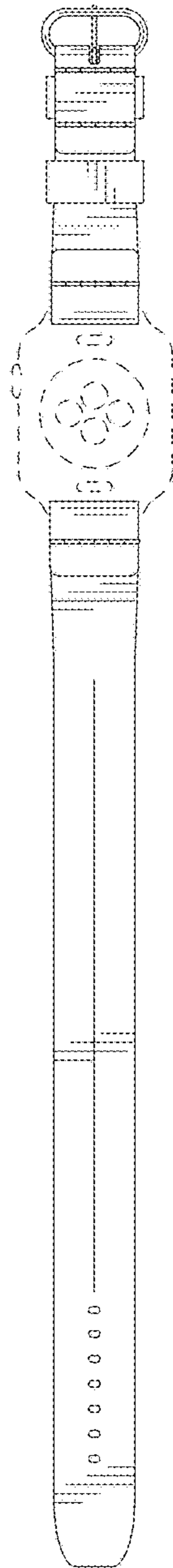


FIG. 3

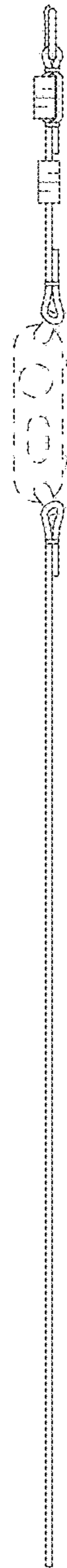


FIG. 4

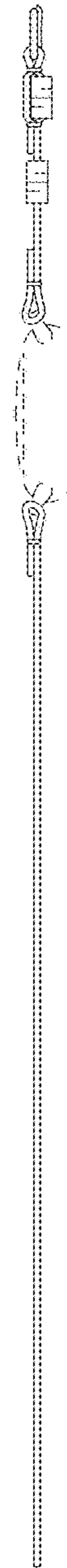


FIG. 5



FIG. 6

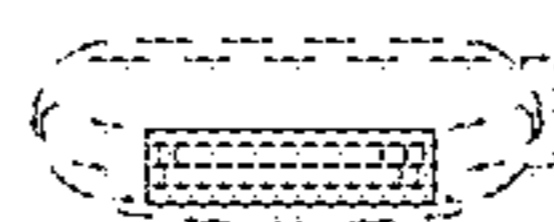


FIG. 7

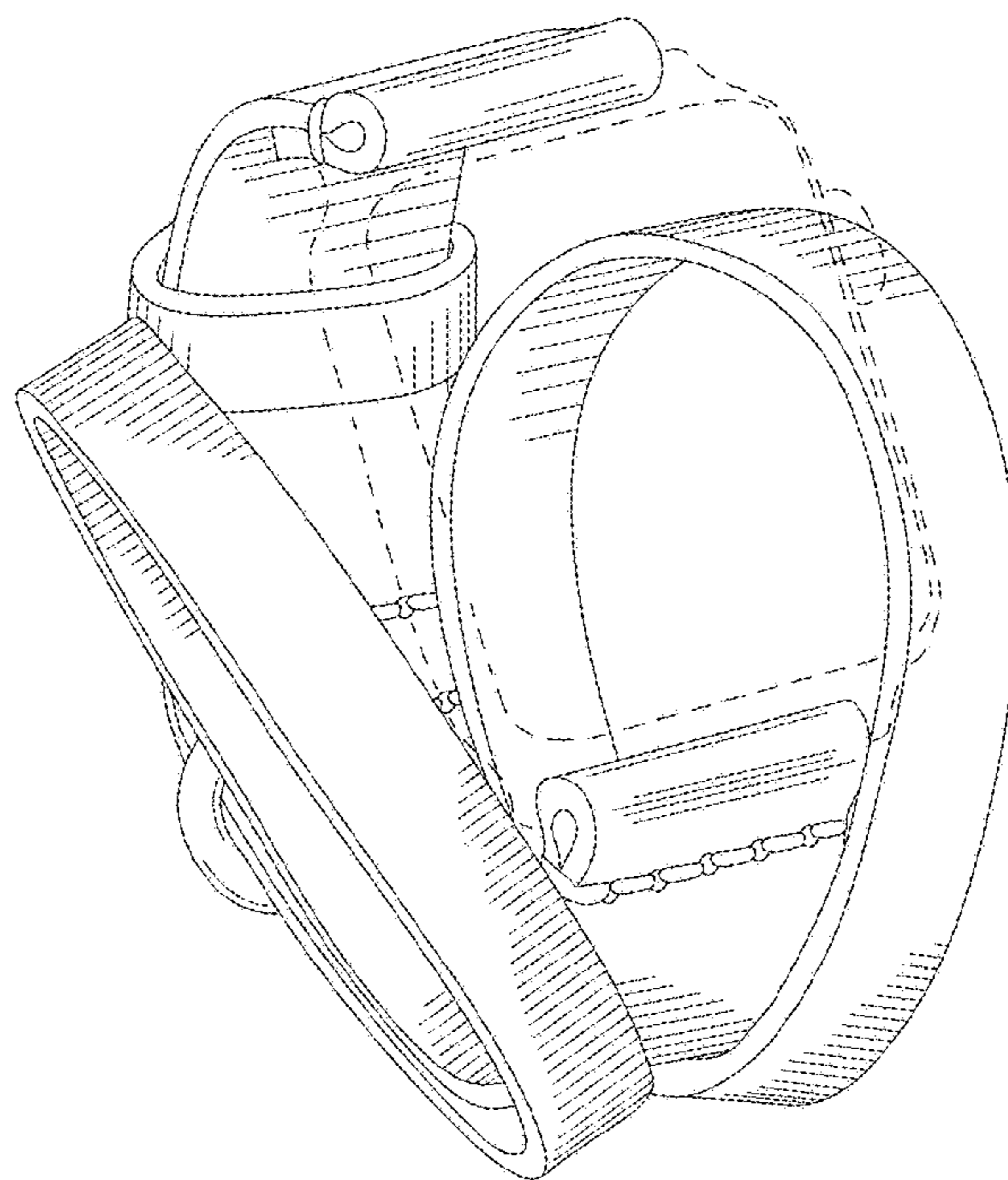


FIG. 8