



US00D850968S

(12) **United States Design Patent**
Zhang

(10) **Patent No.:** **US D850,968 S**

(45) **Date of Patent:** **** Jun. 11, 2019**

- (54) **PROTECTIVE CASE FOR A WATCH**
- (71) Applicant: **Qifan Zhang**, Guangdong (CN)
- (72) Inventor: **Qifan Zhang**, Guangdong (CN)
- (**) Term: **15 Years**
- (21) Appl. No.: **29/618,635**
- (22) Filed: **Sep. 22, 2017**
- (51) **LOC (11) Cl.** **10-07**
- (52) **U.S. Cl.**
USPC **D10/132**
- (58) **Field of Classification Search**
USPC D10/1, 2, 5, 14–15, 30–32, 37–39,
D10/40–41, 61, 70, 74, 80, 103, 122–124,
D10/126–128, 132; D11/3; D14/344,
D14/138 R, 432, 439, 440; D24/167, 186
CPC G04F 1/00; G04F 5/00; G04F 7/06; G04F
7/062; G04F 7/065; G04F 3/00; G04F
3/06; G04F 3/08; G04C 23/00; G04C
23/02; G04C 23/04; G04C 23/06; G04C
23/08; G04B 19/00; G04B 19/06; G04B
45/00; G04B 37/00; A44C 5/00; A44C
5/06; A44C 5/14; A45C 11/12; H04M
1/00; H04M 1/18; H04B 1/3888
See application file for complete search history.

- 9,004,329 B2 * 4/2015 Hsieh G04G 17/08
224/169
- D735,191 S * 7/2015 Song D10/38
- D742,761 S * 11/2015 Grazian D10/30
- D750,622 S * 3/2016 Chen D10/38
- D763,107 S * 8/2016 Nielsen D10/30
- D772,081 S * 11/2016 Lee D10/30
- D777,590 S * 1/2017 Nielsen D10/39
- D789,357 S * 6/2017 Wu D14/344
- D806,599 S * 1/2018 Nielsen D10/132
- D813,695 S * 3/2018 Nielsen D10/70

(Continued)

OTHER PUBLICATIONS

Fitbit Ionic Case Replacement Cover | posted at amazon.com n.d.; review date 2018 © 1996-2018, Amazon.com, Inc.[online][site visited Jul. 23, 2018]. Available from internet: <<https://www.amazon.com/Fitbit-Replacement-Accessories-Protector-Smartwatch/dp/B079GYMPQX>> (Year: 2018).*

(Continued)

Primary Examiner — Sandra S Snapp
Assistant Examiner — Katherine Glennon
(74) *Attorney, Agent, or Firm* — WPAT, PC

(57) **CLAIM**

The ornamental design for a “protective case for a watch,” as shown and described.

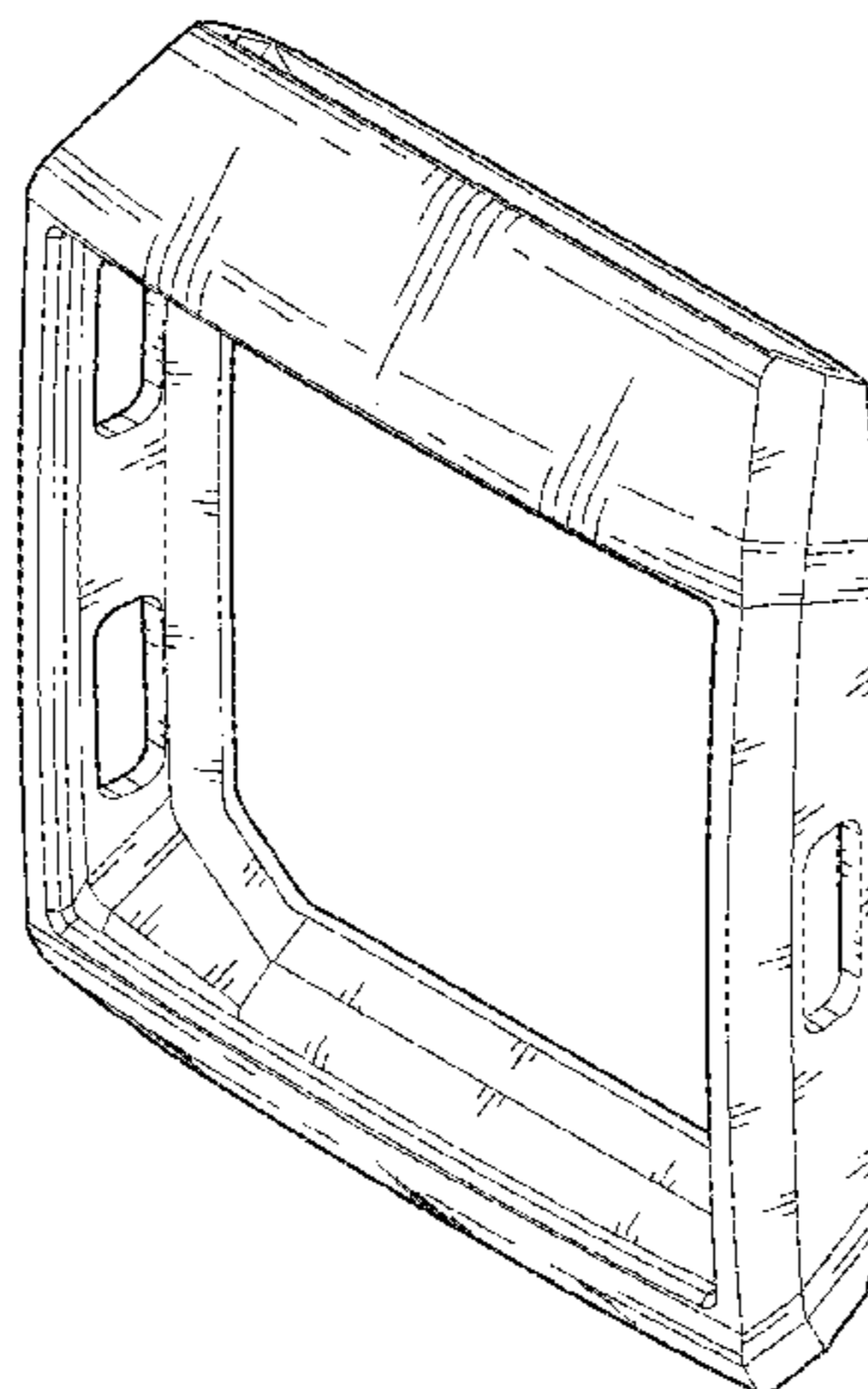
DESCRIPTION

FIG. 1 is a right, top and front perspective view of a protective case for a watch showing the subject design; FIG. 2 is a front elevational view thereof; FIG. 3 is a rear elevational view thereof; FIG. 4 is a left side elevational view thereof; FIG. 5 is a right side elevational view thereof; FIG. 6 is a top plan view thereof; FIG. 7 is a bottom plan view thereof; and, FIG. 8 is a left, bottom and rear perspective view thereof.

1 Claim, 6 Drawing Sheets

(56) **References Cited**
U.S. PATENT DOCUMENTS

- D52,835 S * 12/1918 Weiner D10/132
- D278,315 S * 4/1985 Houlihan D10/30
- D290,234 S * 6/1987 Komatsu D10/30
- D293,417 S * 12/1987 Sakamaki D10/30
- D294,916 S * 3/1988 Kabaya D10/30
- 4,757,486 A * 7/1988 Wollman G04B 37/1486
224/164
- D638,324 S * 5/2011 Tang D10/128
- 8,256,612 B1 * 9/2012 Wang A45C 11/00
206/320



(56)

References Cited

U.S. PATENT DOCUMENTS

D822,835 S * 7/2018 Paschke D24/167
2013/0001263 A1 * 1/2013 Kai A44C 5/0007
224/219

OTHER PUBLICATIONS

Dingtool for Fitbit Alta HR Sleeve Cover | posted at amazon.com
n.d. © 1996-2018, Amazon.com, Inc.[online][site visited Jul. 23,
2018]. Available from internet: <<https://www.amazon.com/Dingtool-Silicone-Designer-Protector-Accessories/dp/B071225NHD>> (Year:
2017).*

* cited by examiner

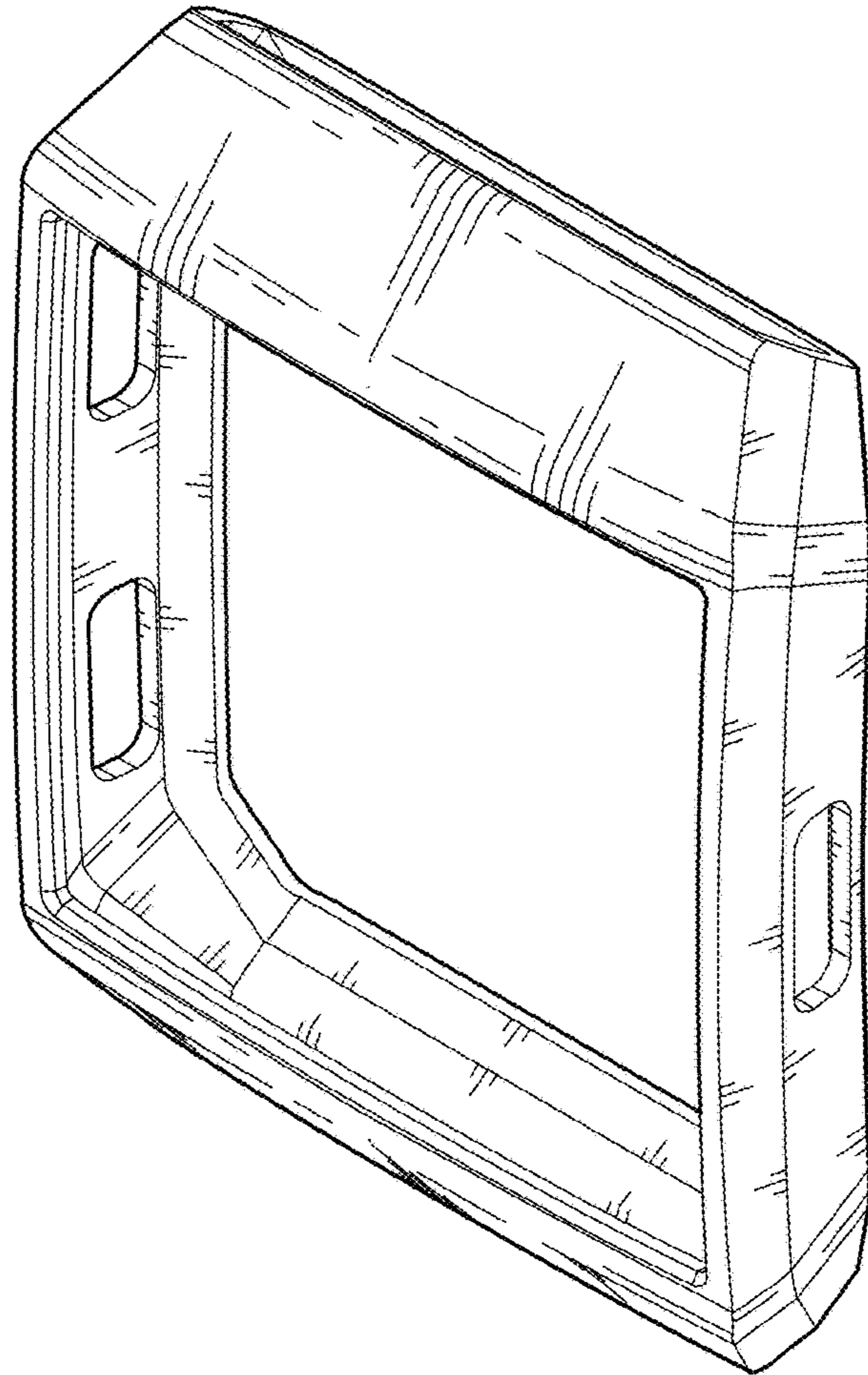


FIG. 1

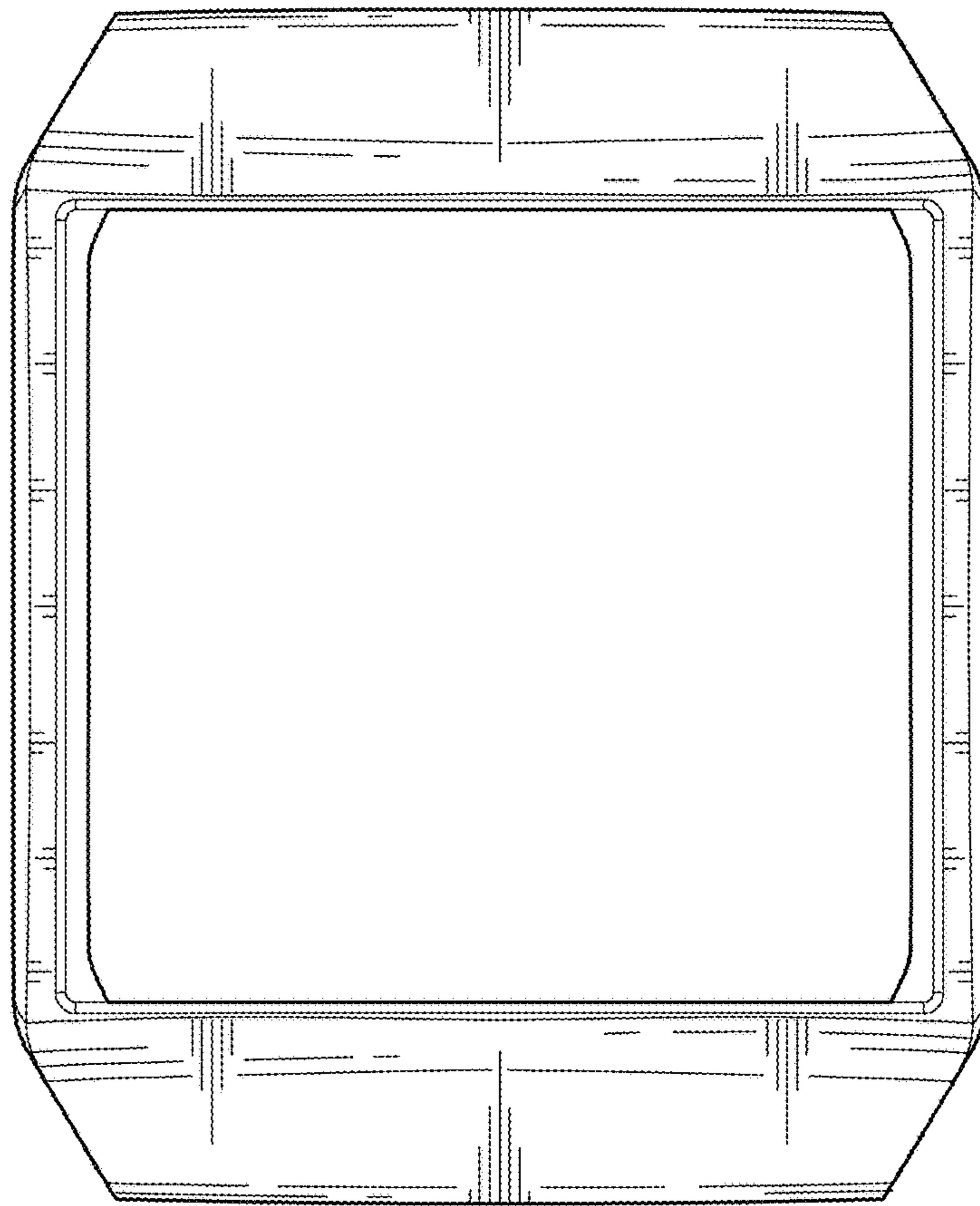


FIG. 2

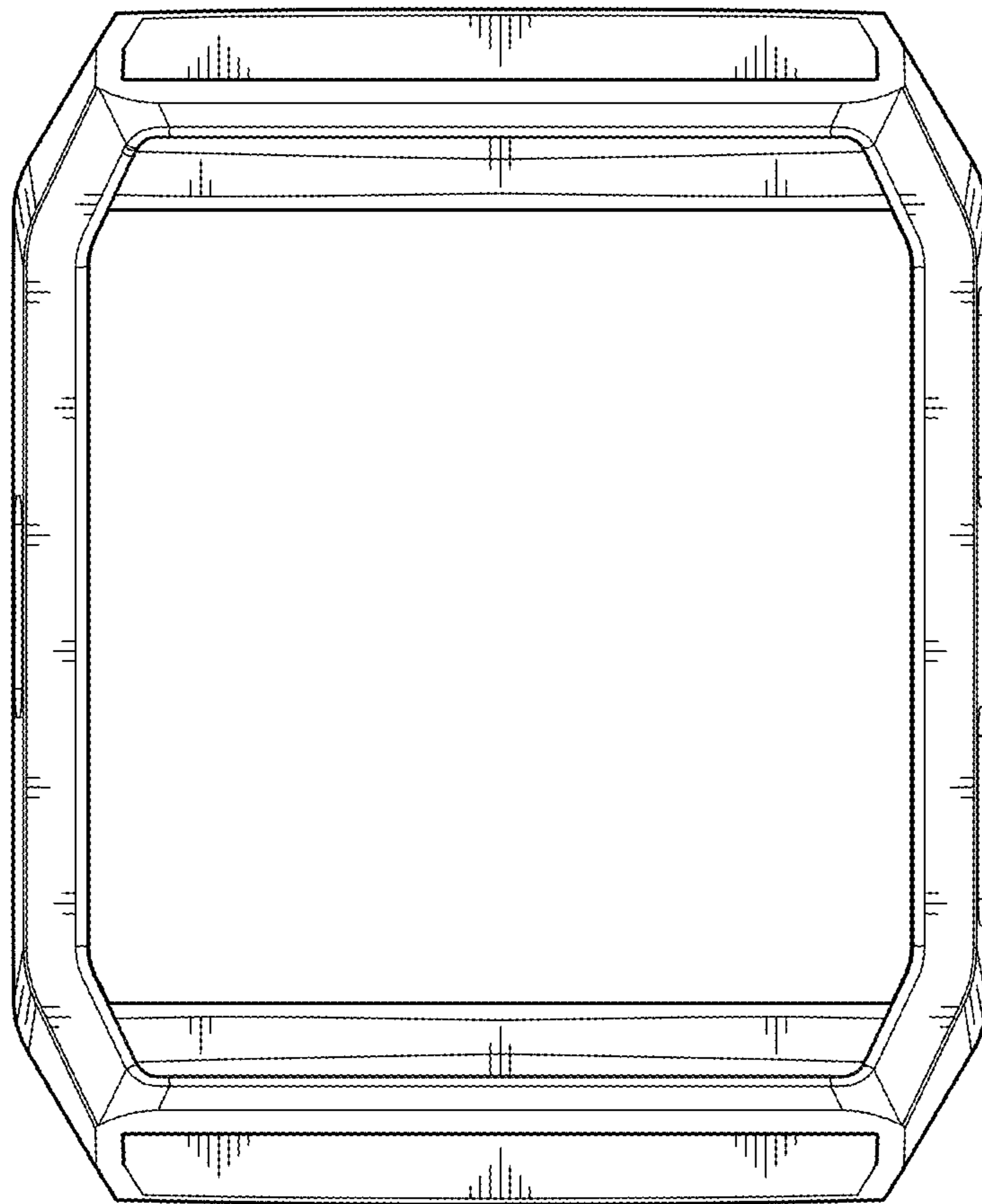


FIG. 3

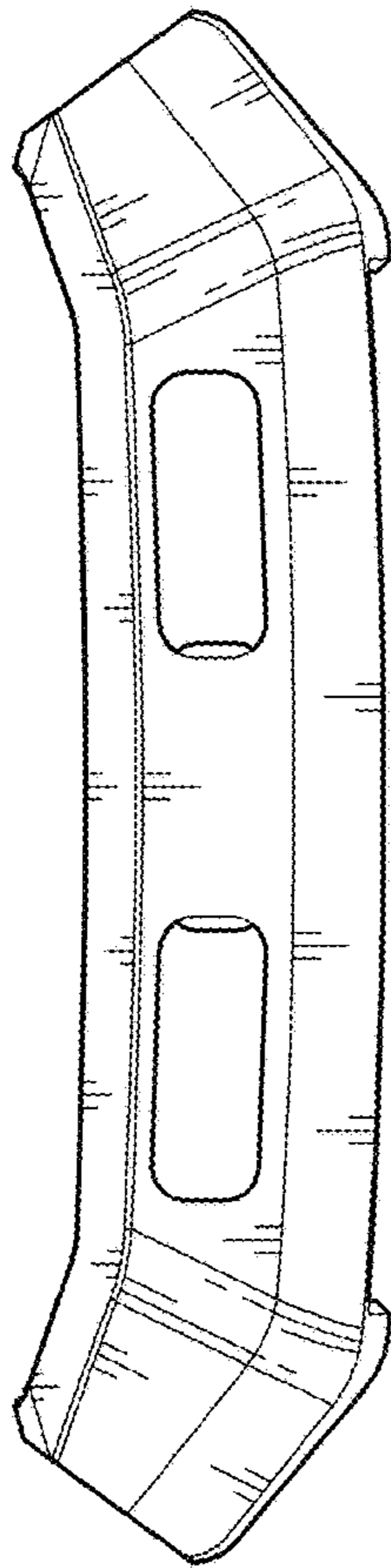


FIG. 4

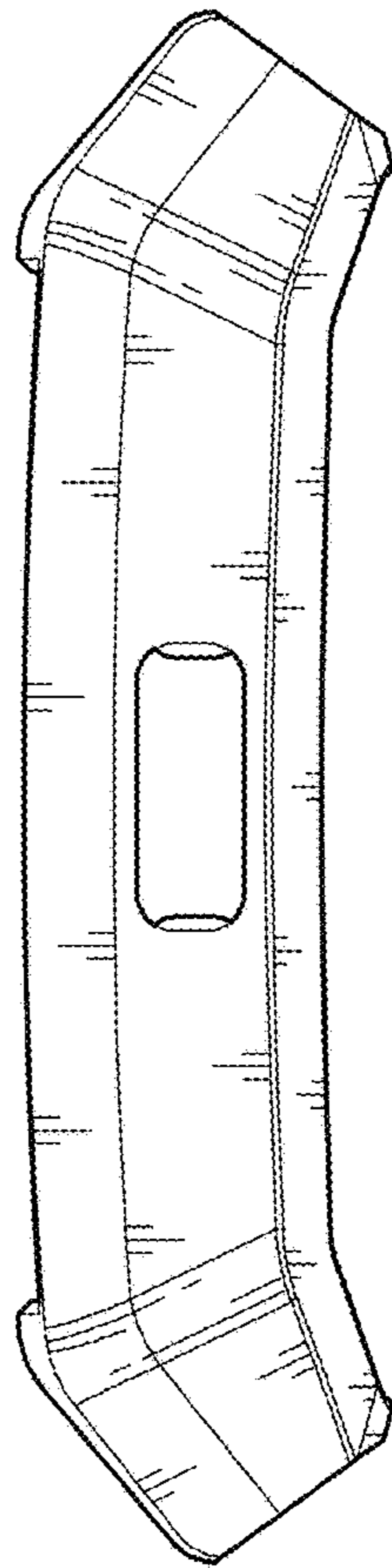


FIG. 5

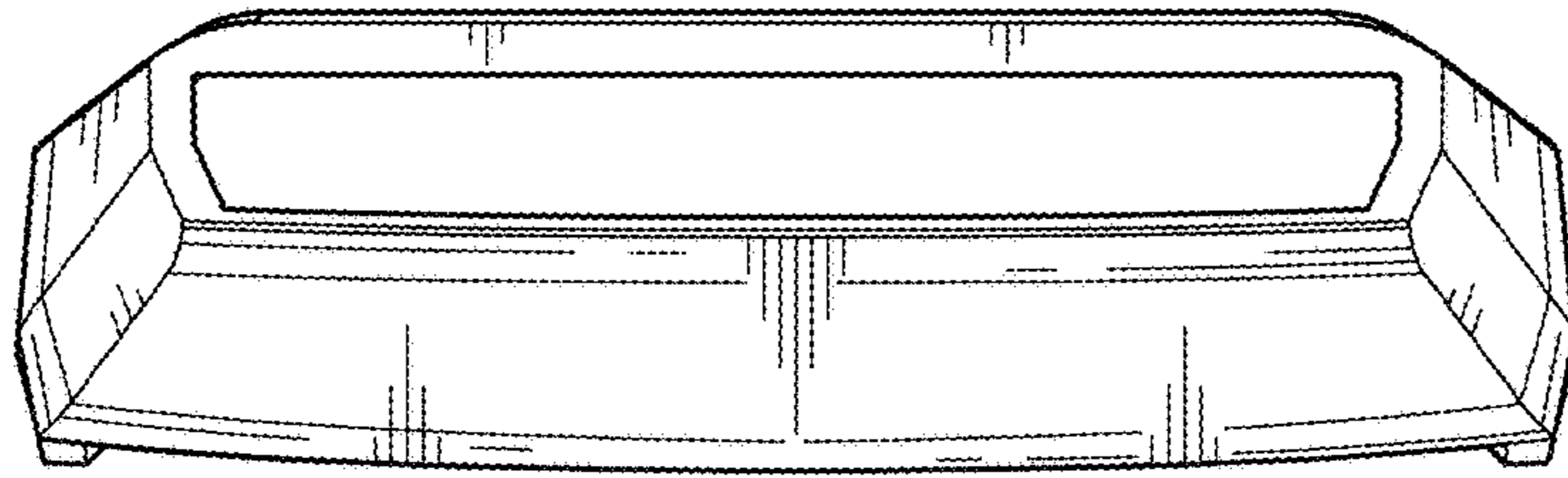


FIG. 6

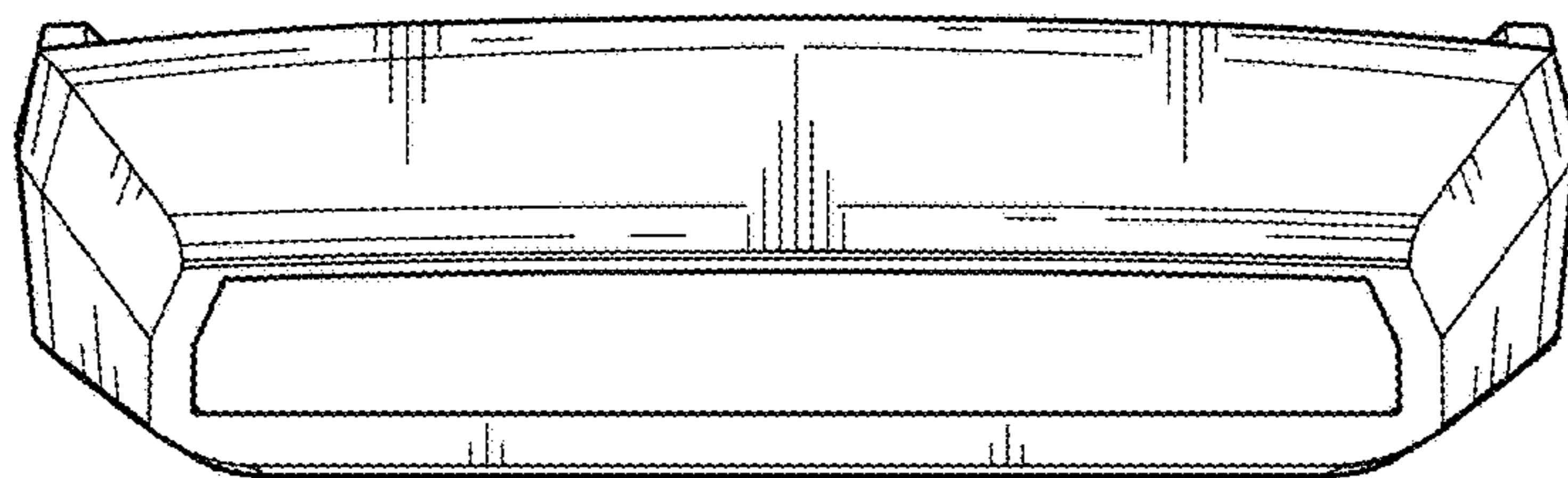


FIG. 7

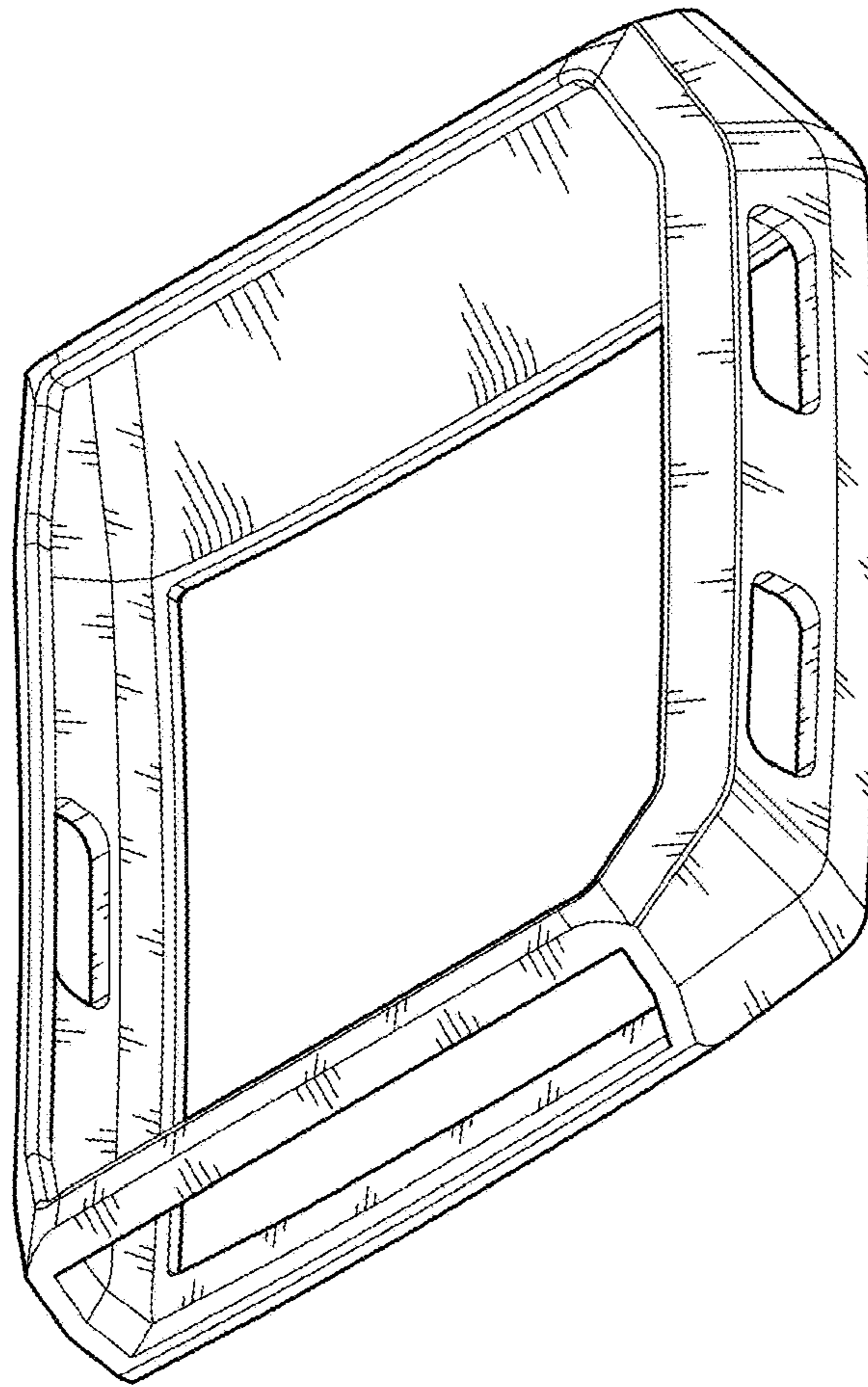


FIG. 8