



US00D850964S

(12) **United States Design Patent**  
**Maggard et al.**

(10) **Patent No.:** **US D850,964 S**  
(45) **Date of Patent:** **\*\* Jun. 11, 2019**

(54) **SENSOR HOUSING**

- (71) Applicant: **MTD Products Inc**, Valley City, OH (US)
- (72) Inventors: **Jay E. Maggard**, Polk, OH (US);  
**Gregory Gorsage**, Litchfield, OH (US);  
**Aaron D. Smith**, Zionsville, IN (US)
- (73) Assignee: **MTD PRODUCTS INC**, Valley City, OH (US)
- (\*\*) Term: **15 Years**
- (21) Appl. No.: **29/616,078**
- (22) Filed: **Sep. 1, 2017**
- (51) **LOC (11) Cl.** ..... **10-04**
- (52) **U.S. Cl.**  
USPC ..... **D10/103**
- (58) **Field of Classification Search**  
USPC ..... D10/46, 75, 103; D13/101, 118;  
D16/219, 235  
CPC ..... G01S 7/4816; G01S 17/89; G01V 8/12;  
H01L 31/101; G06K 7/10861; B07C  
3/14; H04N 5/2254; H04N 5/2355; H04N  
5/2353; H04N 7/18  
See application file for complete search history.

(56) **References Cited**

**U.S. PATENT DOCUMENTS**

- D736,657 S \* 8/2015 Detering ..... D10/46
- 2016/0041453 A1 2/2016 Pizzo

**FOREIGN PATENT DOCUMENTS**

- EP 3035305 A1 6/2016
- JP 2007 286201 A 11/2007
- WO 2000/04720 A1 1/2000

**OTHER PUBLICATIONS**

Communication Relating to the Results of the Partial International Search for International Application No. PCT/US2018/049023 dated Dec. 18, 2018.

\* cited by examiner

*Primary Examiner* — Antoine Duval Davis

(74) *Attorney, Agent, or Firm* — Wegman Hessler & Vanderburg

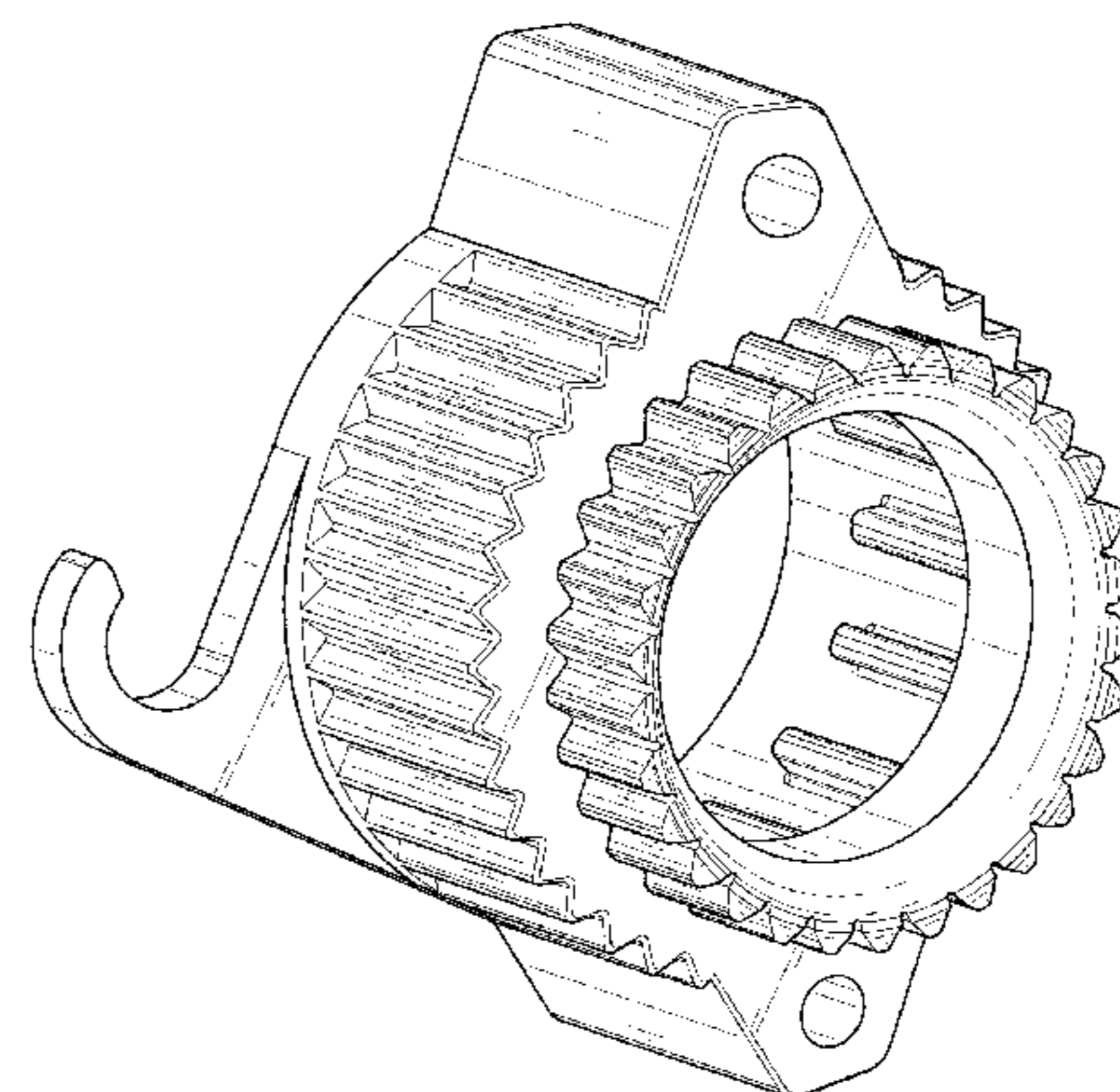
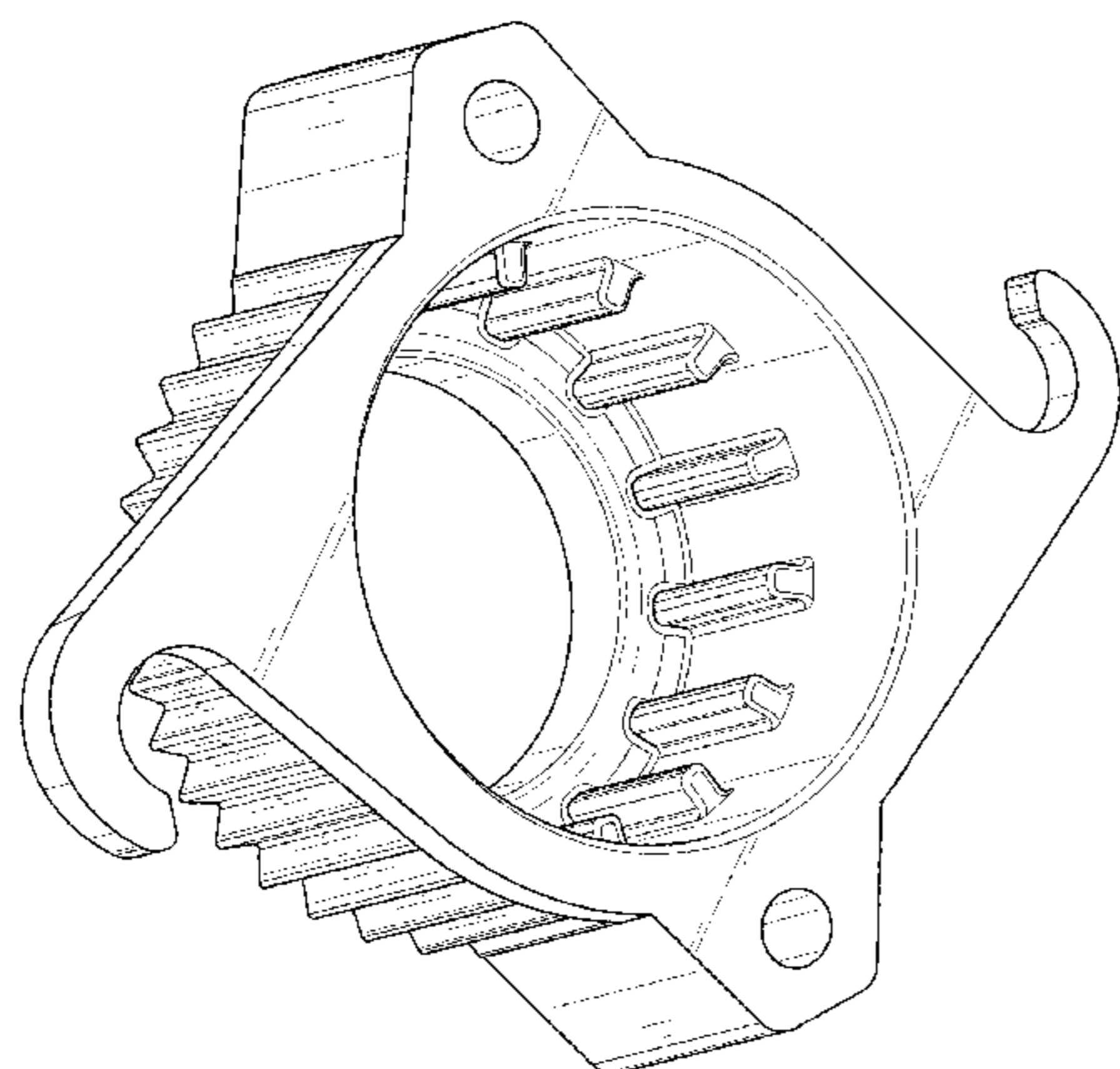
(57) **CLAIM**

The ornamental design for a sensor housing, as shown and described.

**DESCRIPTION**

FIG. 1 is a top perspective view of a sensor housing showing our new design;  
 FIG. 2 is a bottom perspective view thereof;  
 FIG. 3 is a bottom view thereof;  
 FIG. 4 is a top view thereof;  
 FIG. 5 is a front view thereof, wherein the rear view is a mirror image thereof; and,  
 FIG. 6 is a right side view thereof, wherein the left side view is a mirror image thereof.  
 The ornamental design which is claimed is shown in solid lines. The broken lines in the drawings illustrate portions of the sensor housing and form no part of the claimed design.

**1 Claim, 5 Drawing Sheets**



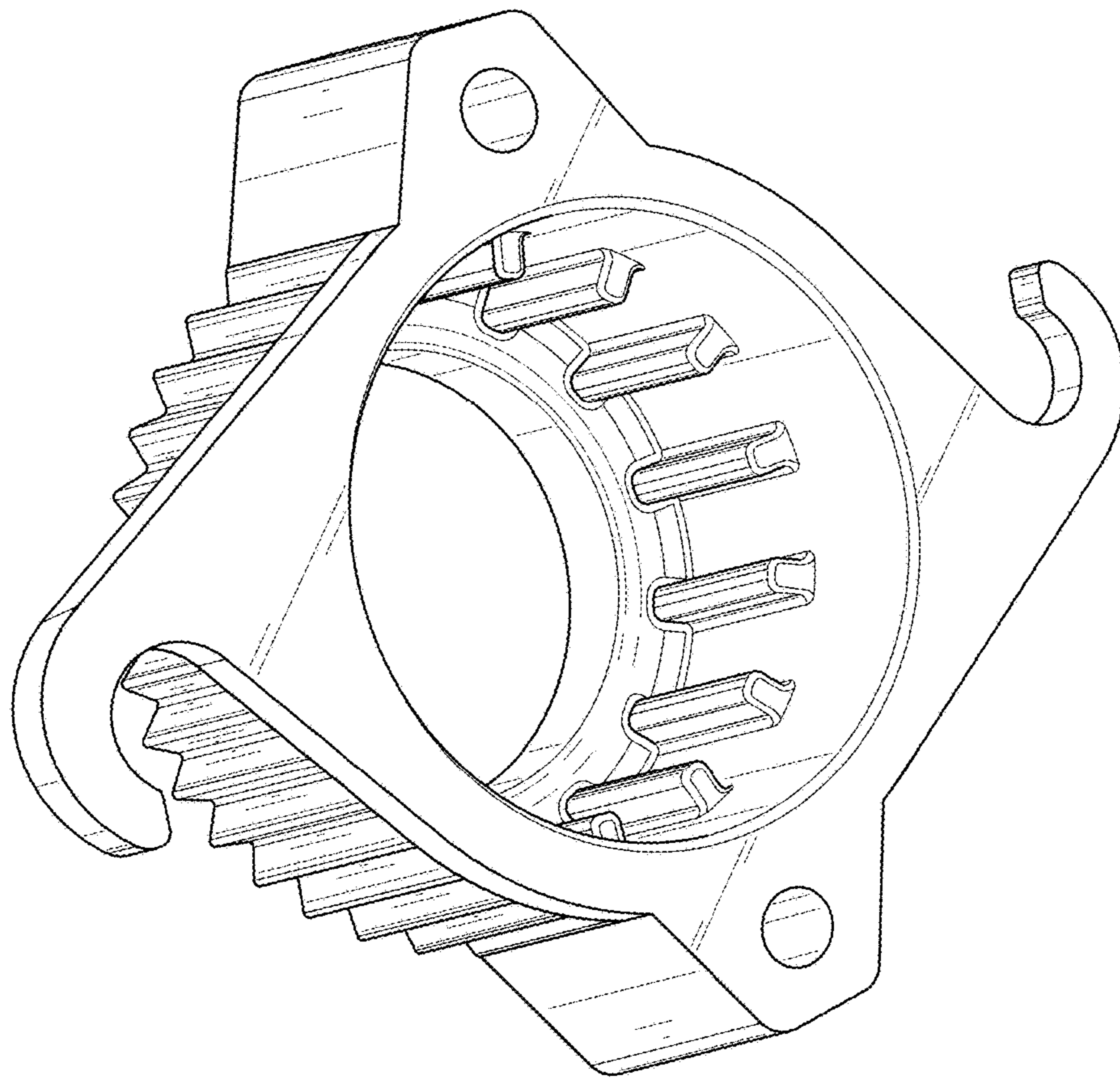


FIG. 1

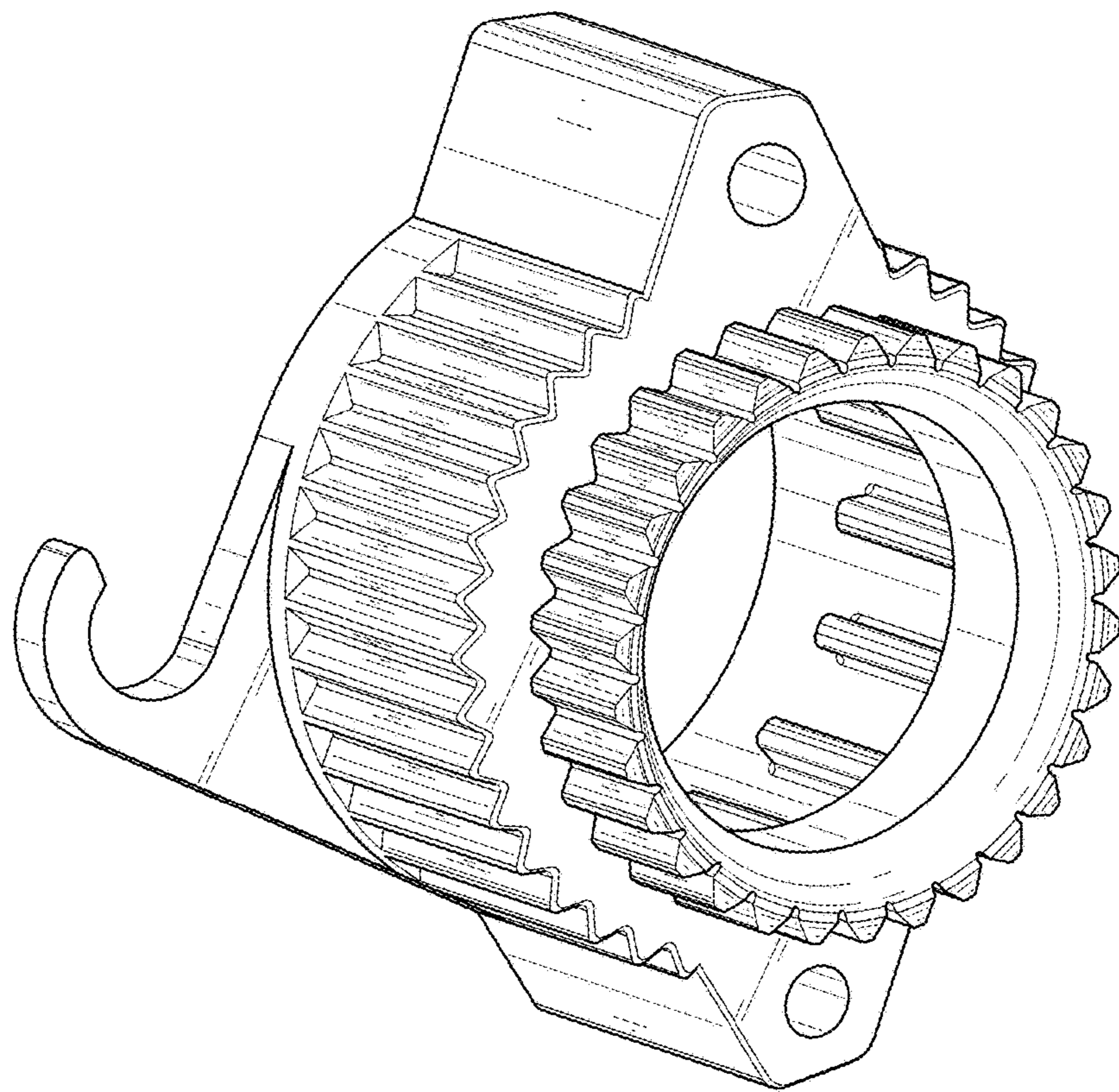


FIG. 2

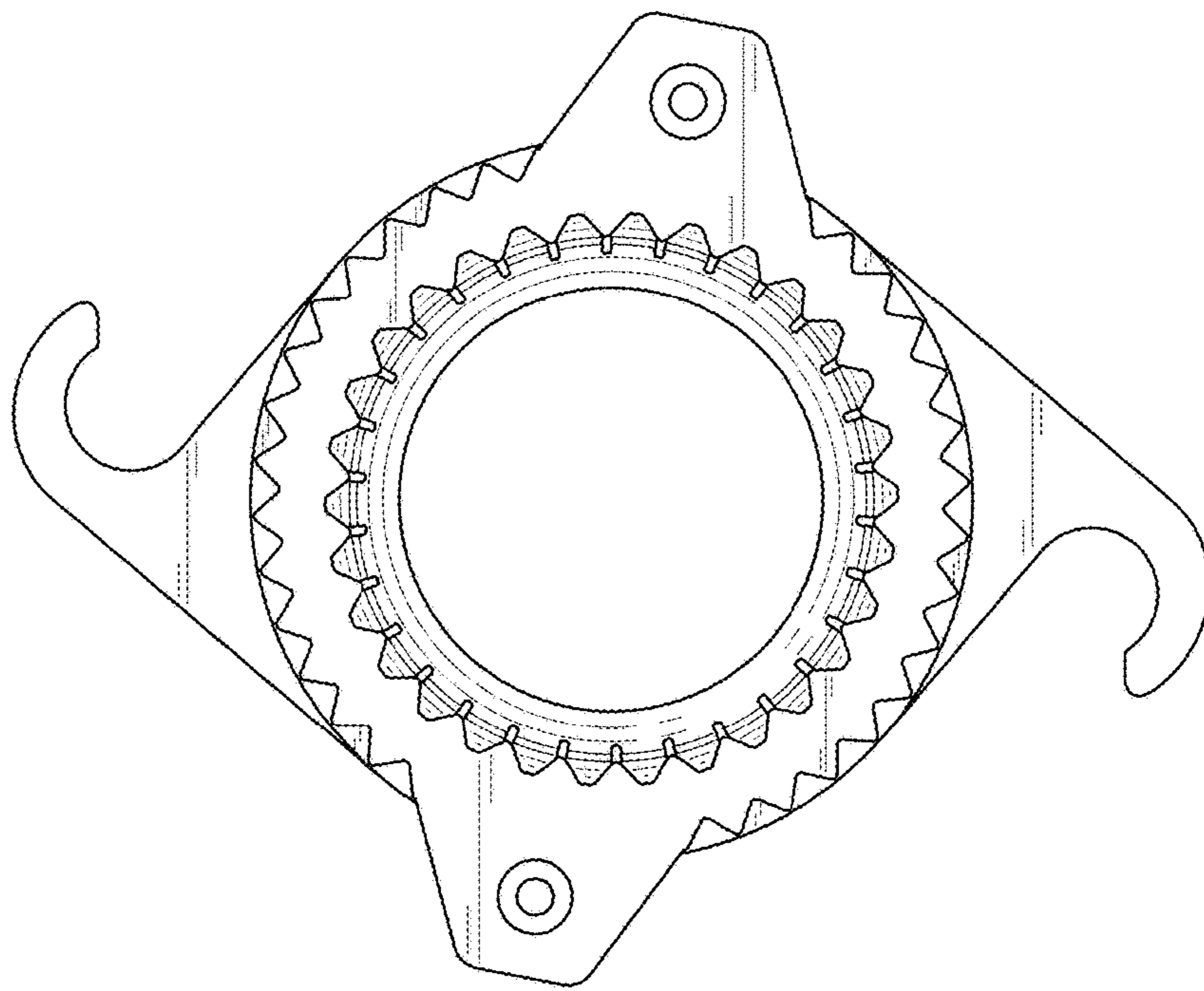


FIG. 3

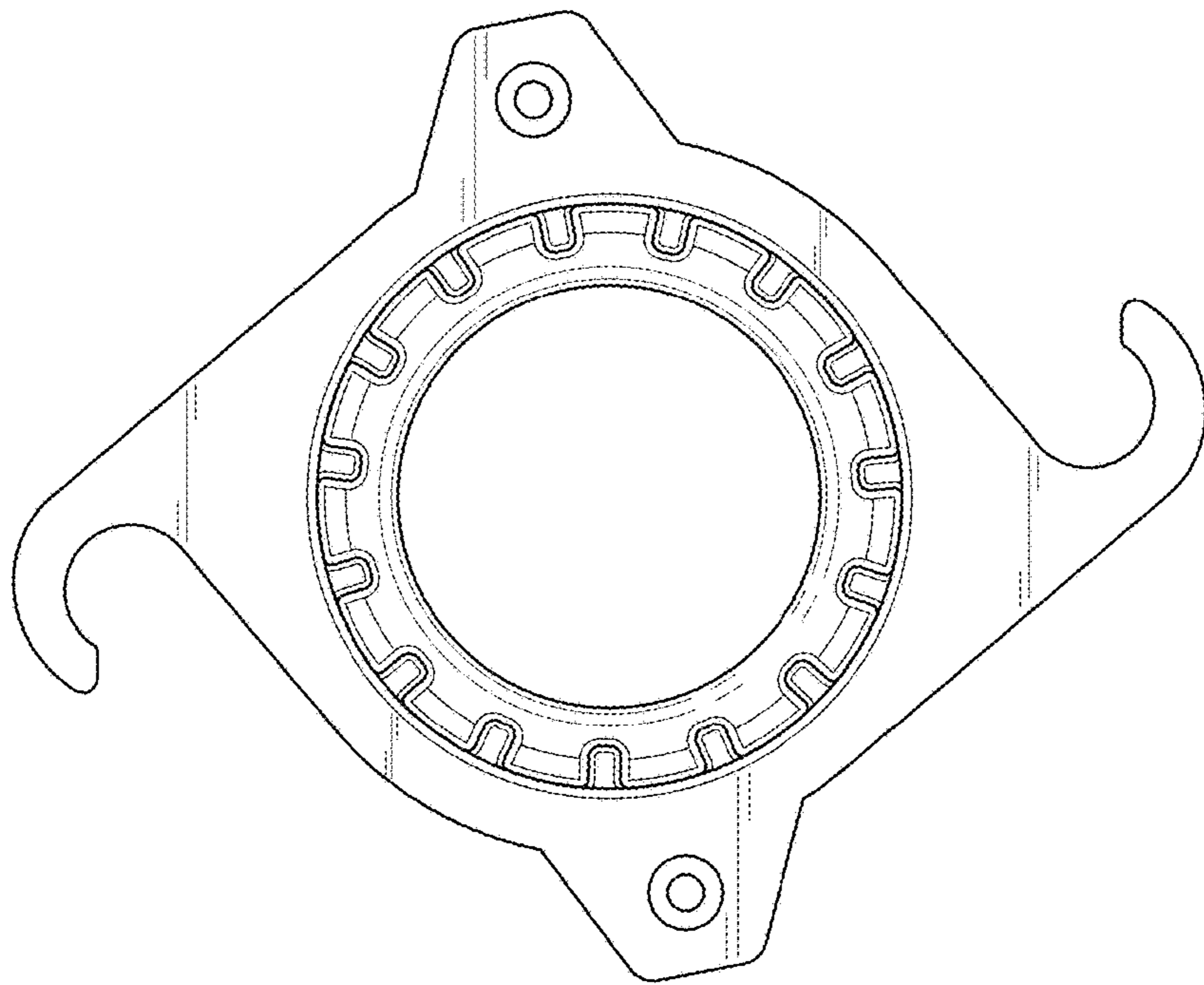


FIG. 4

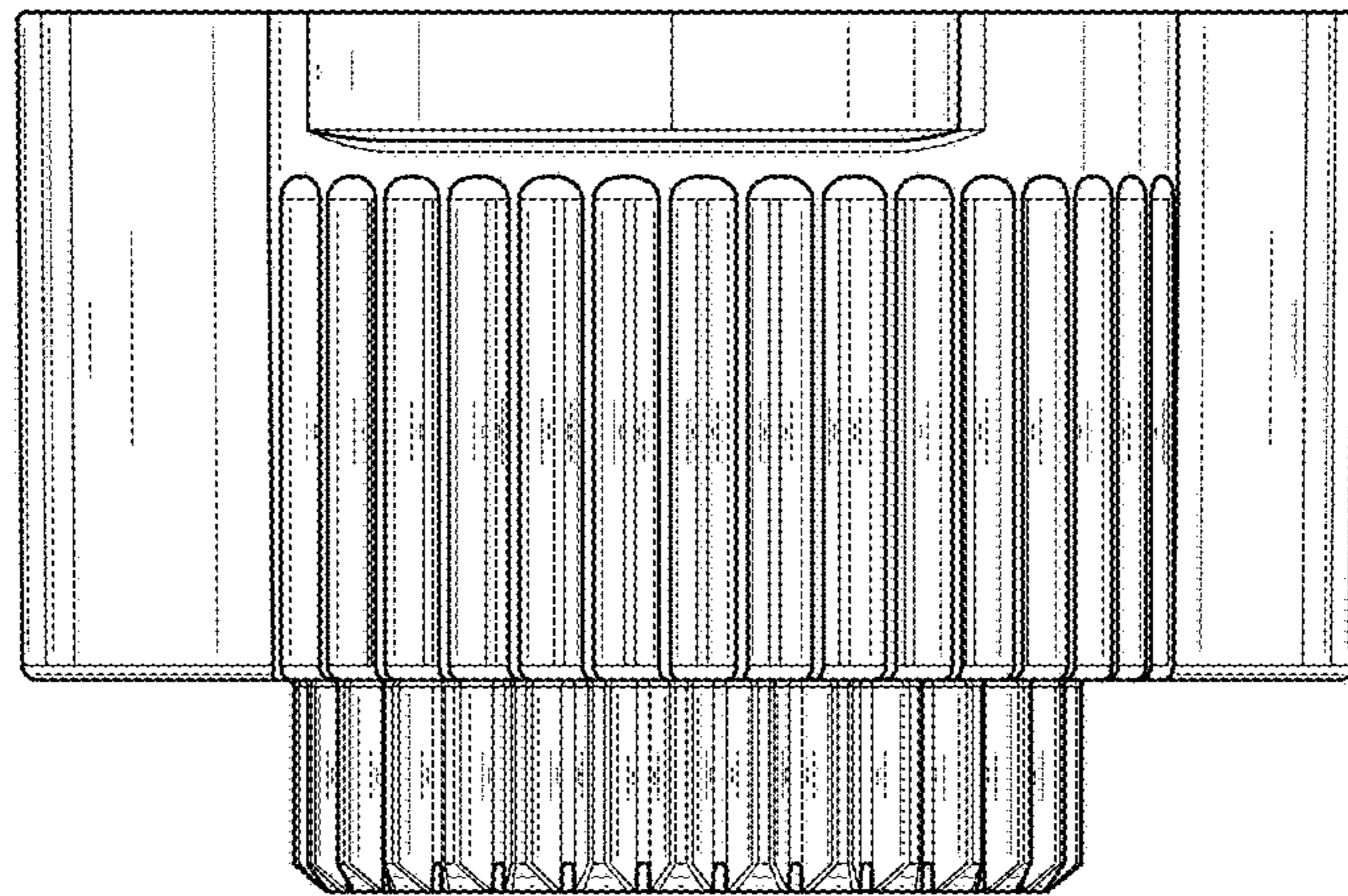


FIG. 5

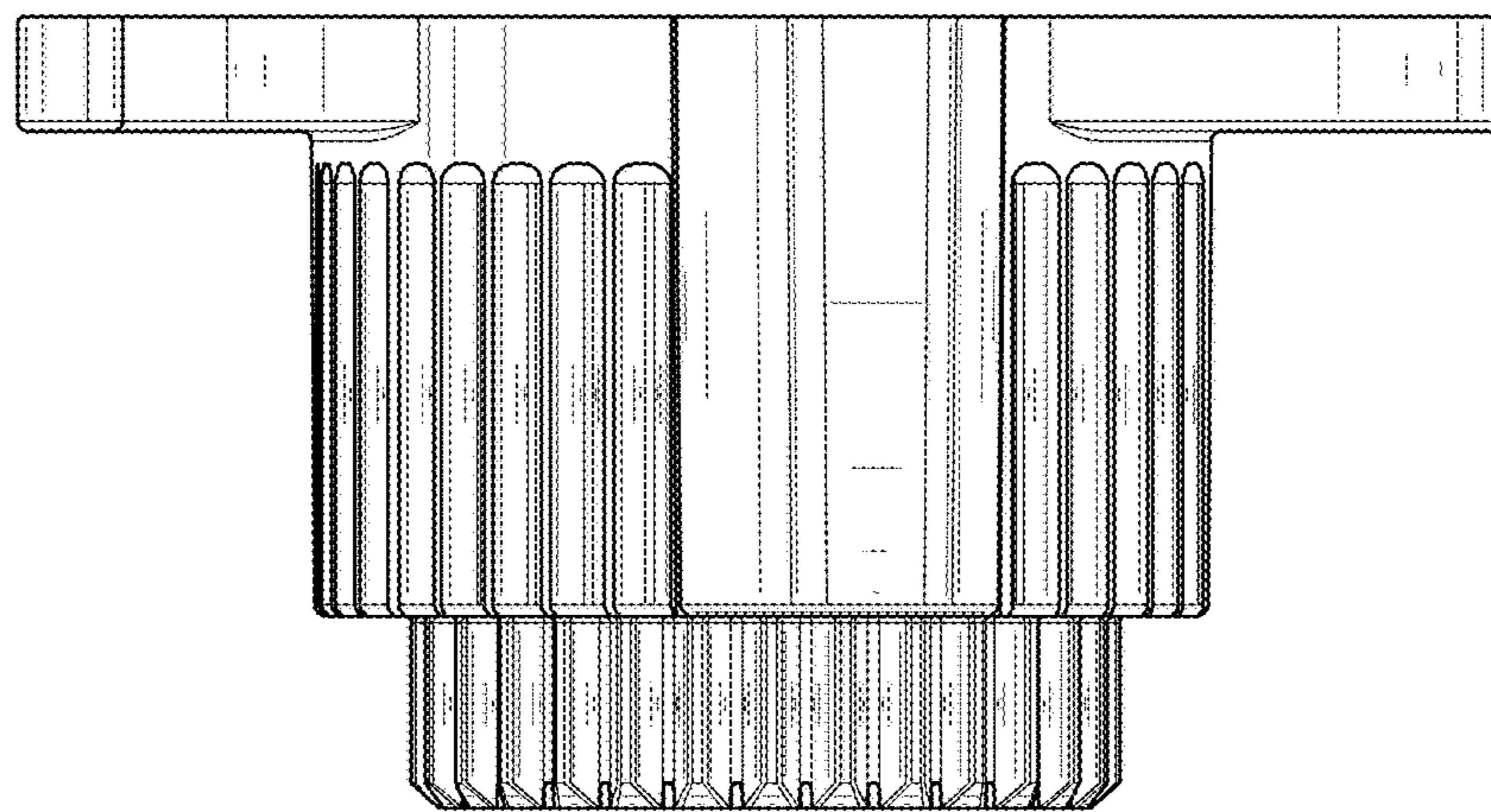


FIG. 6