



US00D850961S

(12) **United States Design Patent** (10) **Patent No.:** **US D850,961 S**  
**Au Yeung** (45) **Date of Patent:** **\*\* Jun. 11, 2019**

(54) **MULTI-FUNCTIONAL PEDOMETER**

(71) Applicant: **Kwok Keung Au Yeung**, Hong Kong (HK)

(72) Inventor: **Kwok Keung Au Yeung**, Hong Kong (HK)

(\*\*) Term: **15 Years**

(21) Appl. No.: **29/629,209**

(22) Filed: **Dec. 12, 2017**

(30) **Foreign Application Priority Data**

Aug. 22, 2017 (CN) ..... 2017 3 0388167

(51) **LOC (11) Cl.** ..... **10-04**

(52) **U.S. Cl.**  
USPC ..... **D10/97**

(58) **Field of Classification Search**

USPC ..... D10/70, 97

CPC ..... A63B 24/00; A63B 2220/14; A63B 71/06;  
A63B 26/00; A63B 24/0075; A63B

2071/0663; A63B 71/00; A63B 71/0686;

A63B 24/0062; A63B 24/0084; A63B

2024/0068; A63B 2024/0078; A63B

2024/0056; A63B 2071/0625; A63B

2071/003; A63B 2071/063; A63B

2071/065; A63B 2071/068; A63B

2071/0675; A63B 2220/40; A63B

2220/12; A63B 2220/803; A63B 2220/20;

A63B 2220/22; A63B 2220/30; A63B

2225/50; A63B 2225/02; A63B 2230/06;

A63B 2230/75; A63B 2024/0065; A63B

2024/0081; A63B 2220/51; A63B

2220/62; A63B 2220/836; Y10S 482/909;

Y10S 482/901; A41D 1/002; A44C

5/0015; A44C 5/102; A44C 5/14; A44C

5/02; A61B 19/44; A61B 2019/446; A61B

5/02416; A61B 5/1118; A61B 5/721;

A61B 5/002; A61B 5/112; A61B 5/1122;

A61B 5/746; A61B 5/6823; A61B 5/72;  
A61B 5/7445; A61B 5/0022; A61B  
5/14532; G01C 22/006; G09F 3/005;  
G06F 1/163; G06F 3/038; G06F 3/03547;  
G04G 17/00; G04G 17/08; G04G 17/04;  
G04G 21/02; G04G 21/00; G04G 21/28;  
G04B 37/1486; G06Q 10/00; G06Q  
50/00; G09B 9/00; G09B 19/00; G04F  
10/00

See application file for complete search history.

(56) **References Cited**

U.S. PATENT DOCUMENTS

D744,356 S \* 12/2015 Akana ..... D10/70  
D761,675 S \* 7/2016 Thaveeprungsriporn ..... D10/97  
D777,590 S \* 1/2017 Nielsen ..... D10/97  
D807,214 S \* 1/2018 Au Yeung ..... D10/98  
D818,855 S \* 5/2018 Tooze ..... D10/97

\* cited by examiner

*Primary Examiner* — Antoine Duval Davis

(74) *Attorney, Agent, or Firm* — Ming Chow; Sinorica, LLC

(57) **CLAIM**

The ornamental design for a multi-functional pedometer, as shown and described.

**DESCRIPTION**

FIG. 1 is a perspective view of the multi-functional pedometer showing my new design;

FIG. 2 is a front elevation view thereof;

FIG. 3 is a rear elevation view thereof;

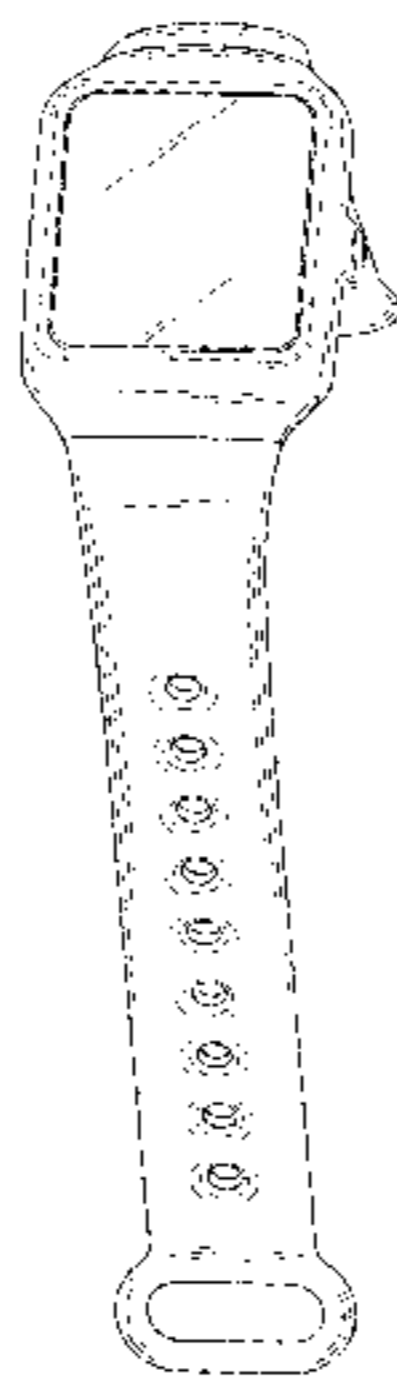
FIG. 4 is left side view thereof;

FIG. 5 is right side view thereof;

FIG. 6 is a top plan view thereof; and,

FIG. 7 is a bottom plan view thereof.

**1 Claim, 7 Drawing Sheets**



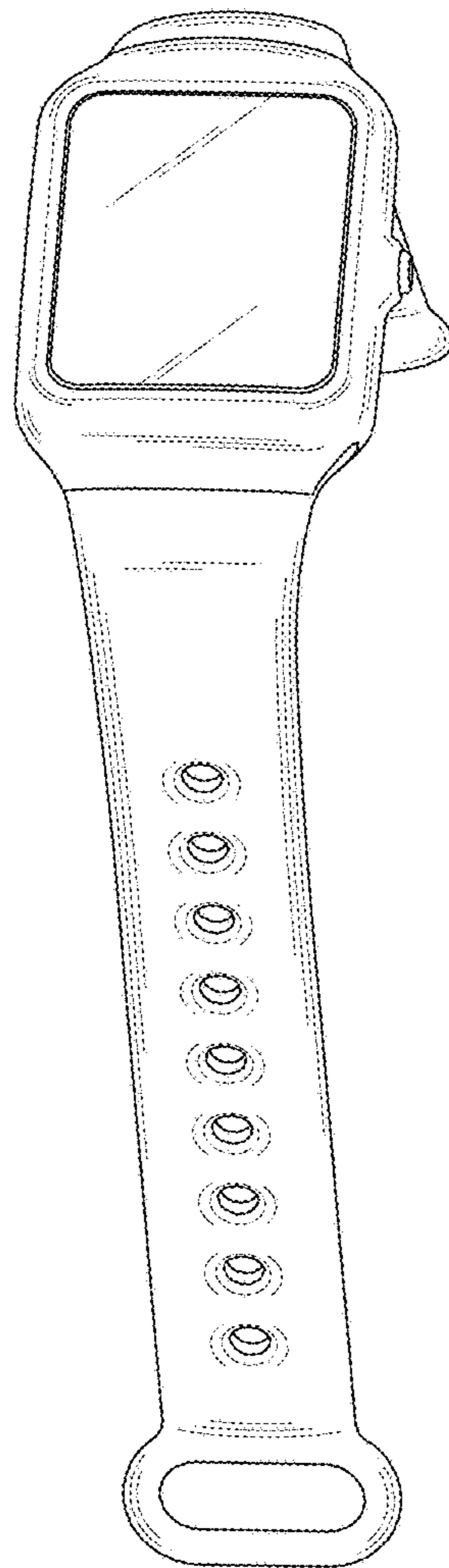


FIG.1

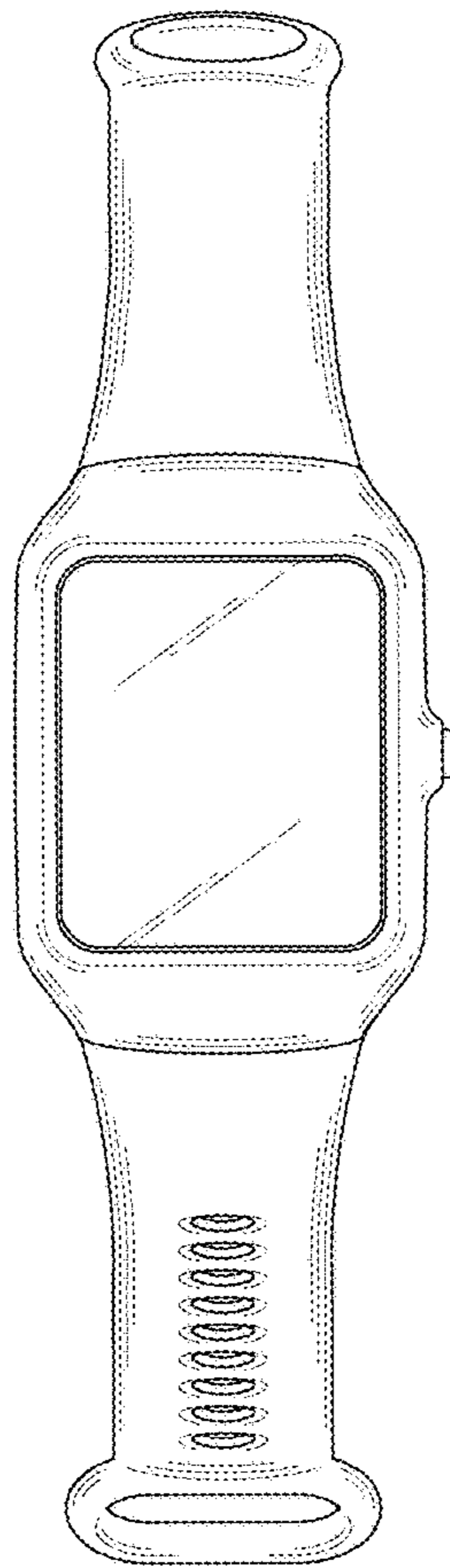


FIG.2

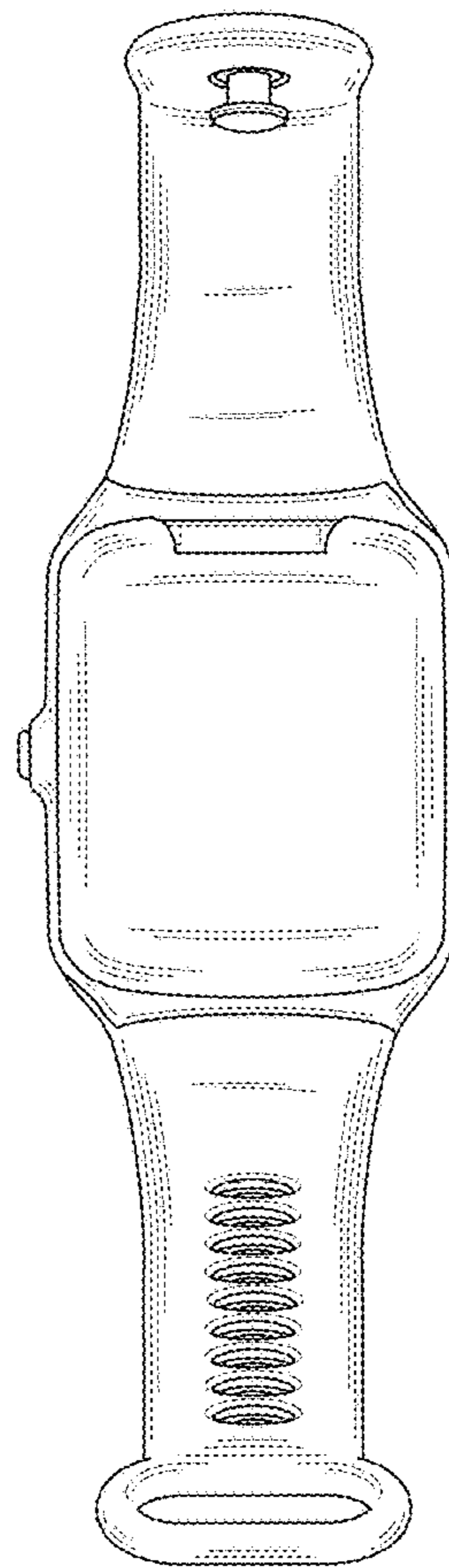


FIG.3

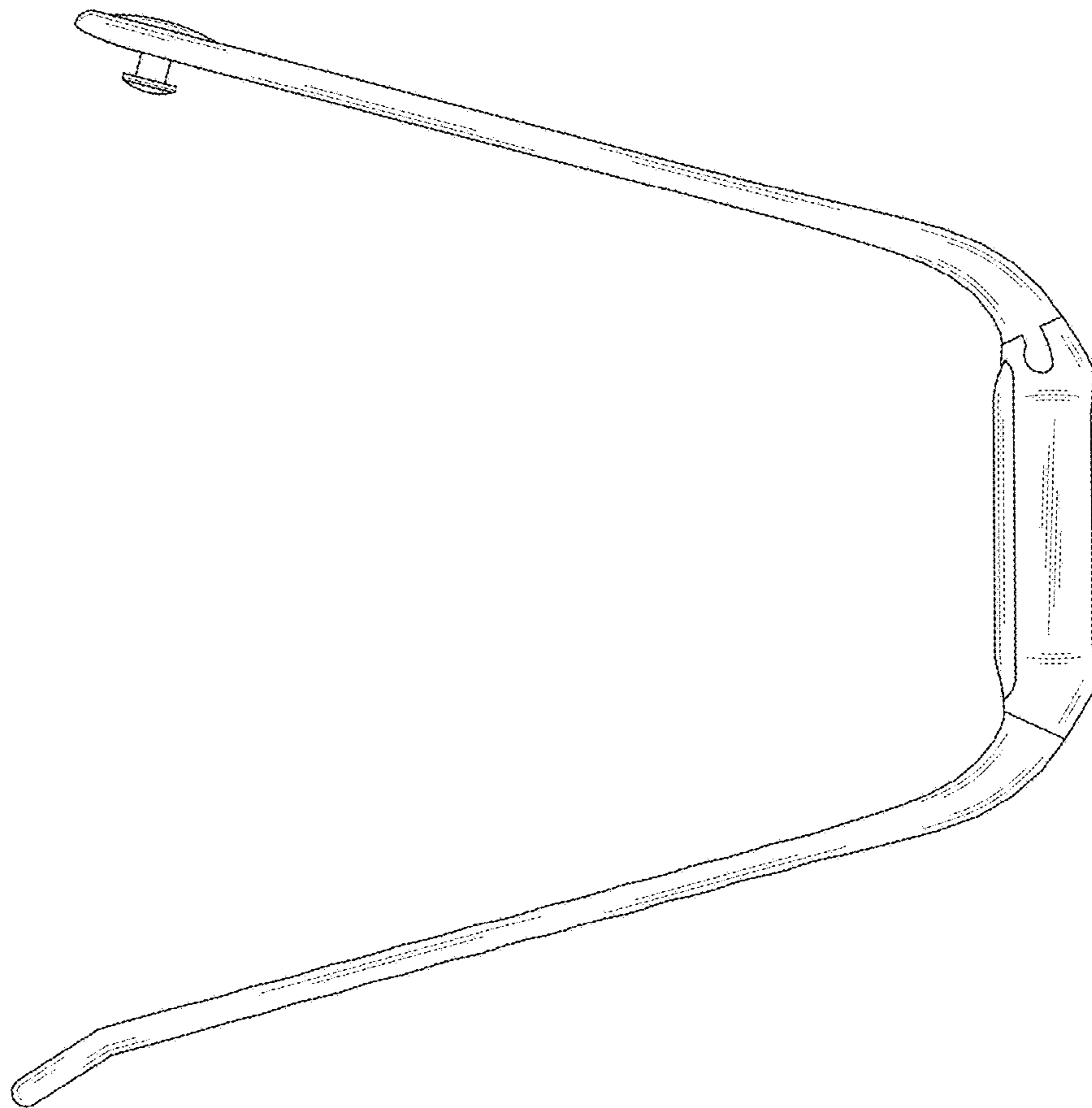


FIG.4

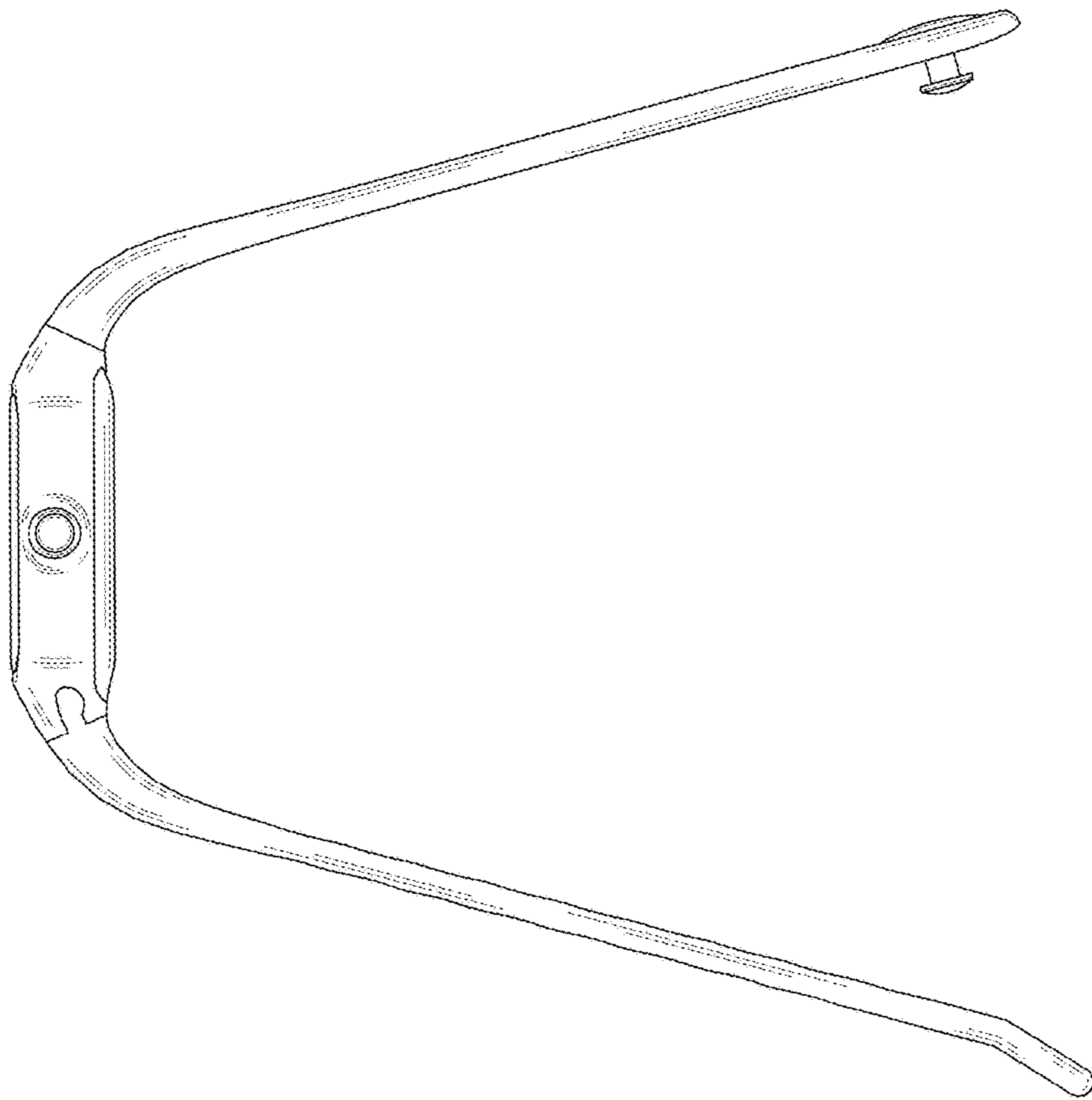


FIG.5

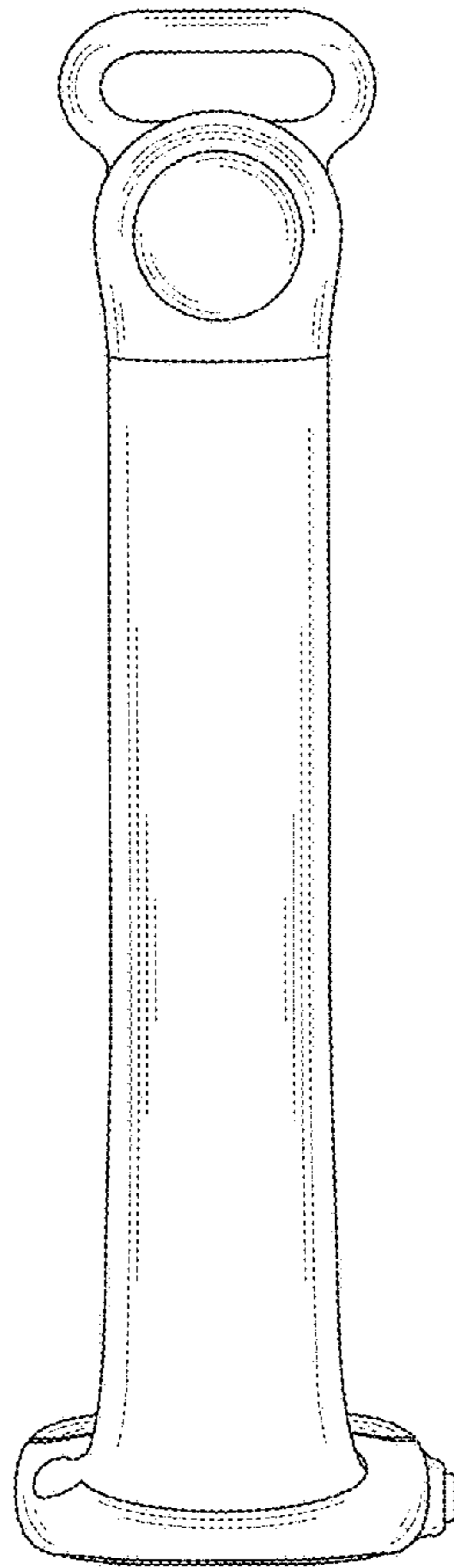


FIG.6

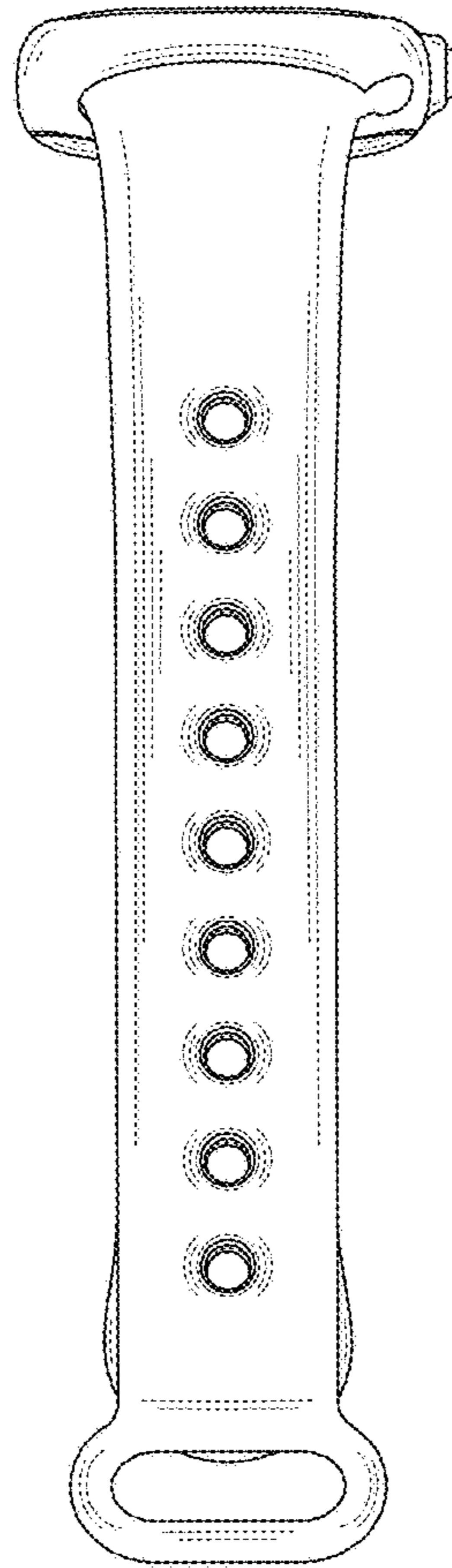


FIG.7