



(12) **United States Design Patent**
Headley et al.

(10) **Patent No.:** **US D850,960 S**
(45) **Date of Patent:** **** Jun. 11, 2019**

(54) **TURBINE METER**

(71) Applicant: **TUTHILL CORPORATION**, Fort Wayne, IN (US)

(72) Inventors: **Thomas R. Headley**, Roanoke, IN (US); **William R. Cooper**, Roanoke, IN (US); **Craig L. Cavanaugh**, Ossian, IN (US)

(73) Assignee: **Tuthill Corporation**, Fort Wayne, IN (US)

(**) Term: **15 Years**

(21) Appl. No.: **29/639,887**

(22) Filed: **Mar. 9, 2018**

Related U.S. Application Data

(63) Continuation of application No. 29/581,745, filed on Oct. 21, 2016, now Pat. No. Des. 812,504.

(51) **LOC (11) Cl.** **10-04**

(52) **U.S. Cl.**
USPC **D10/96**

(58) **Field of Classification Search**
USPC D10/96

(Continued)

(56) **References Cited**

U.S. PATENT DOCUMENTS

D633,401 S * 3/2011 Cavanaugh D10/96
D665,286 S * 8/2012 Christianson D10/96

(Continued)

Primary Examiner — Antoine Duval Davis

(74) *Attorney, Agent, or Firm* — Barnes & Thornburg LLP

(57) **CLAIM**

The ornamental design for a turbine meter, as shown and described.

DESCRIPTION

FIG. 1 is a right-hand perspective view of a design of a turbine meter;

FIG. 2 is a left-hand perspective view of the turbine meter of FIG. 1;

FIG. 3 is a rear perspective view of the turbine meter of FIG. 1;

FIG. 4 is a front underside perspective view of the turbine meter shown in FIG. 1;

FIG. 5 is a right-hand rear underside perspective view of the turbine meter of FIG. 1;

FIG. 6 is a left-hand underside rear perspective view of the turbine meter of FIG. 1;

FIG. 7 is a top view of the turbine meter of FIG. 1;

FIG. 8 is an underside view of the turbine meter of FIG. 1;

FIG. 9 is a front elevation view of the turbine meter of FIG. 1;

FIG. 10 is a right-hand elevation view of the turbine meter of FIG. 1;

FIG. 11 is a rear elevation view of the turbine meter of FIG. 1;

FIG. 12 is a left-hand elevation view of the turbine meter of FIG. 1;

FIG. 13 is a right-hand perspective view of a design of a turbine meter;

FIG. 14 is a left-hand perspective view of the turbine meter of FIG. 13;

FIG. 15 is a rear perspective view of the turbine meter of FIG. 13;

FIG. 16 is a front underside perspective view of the turbine meter shown in FIG. 13;

FIG. 17 is a right-hand rear underside perspective view of the turbine meter of FIG. 13;

FIG. 18 is a left-hand underside rear perspective view of the turbine meter of FIG. 13;

FIG. 19 is a top view of the turbine meter of FIG. 13;

FIG. 20 is an underside view of the turbine meter of FIG. 13;

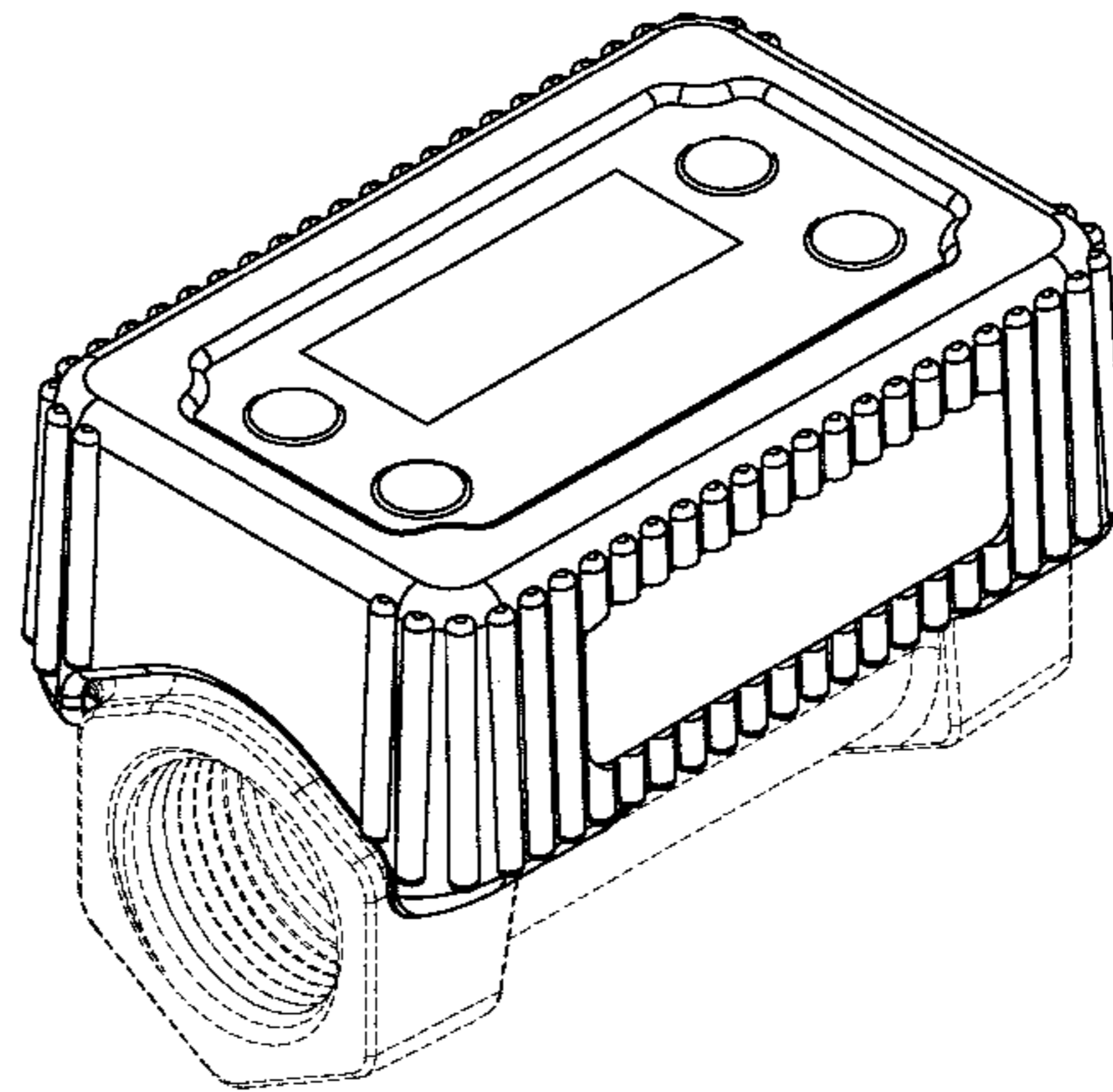
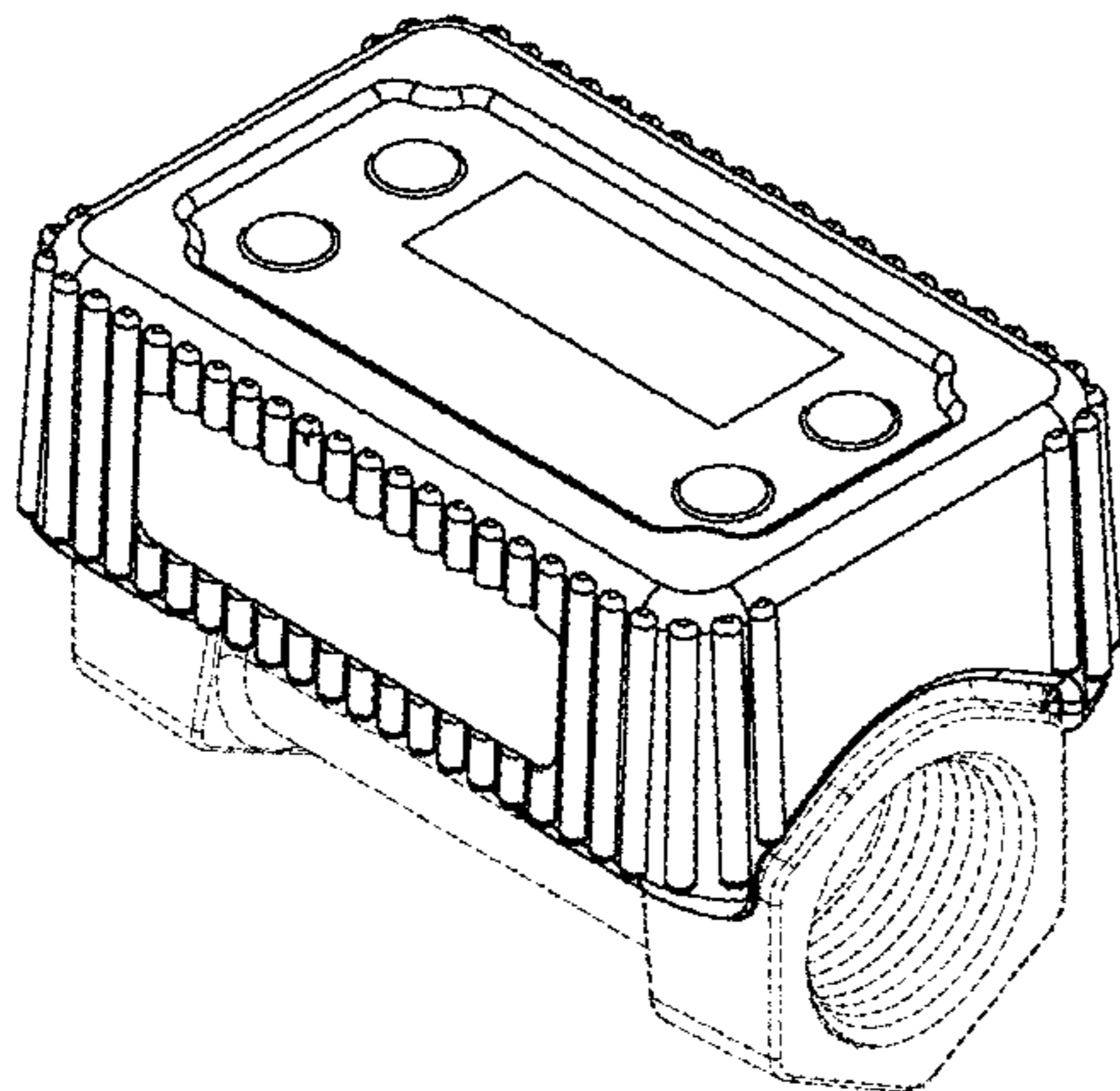
FIG. 21 is a front elevation view of the turbine meter of FIG. 13;

FIG. 22 is a right-hand elevation view of the turbine meter of FIG. 13;

FIG. 23 is a rear elevation view of the turbine meter of FIG. 13; and,

FIG. 24 is a left-hand elevation view of the turbine meter of FIG. 13.

(Continued)



To the extent any broken lines are shown in any of the drawings, they are for purposes of illustrating portions of the fuel transfer pump and form no part of the claimed design.

1 Claim, 24 Drawing Sheets

(58) **Field of Classification Search**

CPC G01F 1/40; G01F 1/42; G01F 1/44; G01F 1/46; G01F 1/74; G01F 11/003; G01F 11/006; G01N 21/03; G01N 21/05; G01N 2021/0378; G01N 2021/0382; G01N 2021/052; G01N 2021/054; G01N 2021/056; G01N 2021/058

See application file for complete search history.

(56) **References Cited**

U.S. PATENT DOCUMENTS

D698,678 S * 2/2014 Varini D10/96
D800,590 S * 10/2017 Kuppi D10/96

* cited by examiner

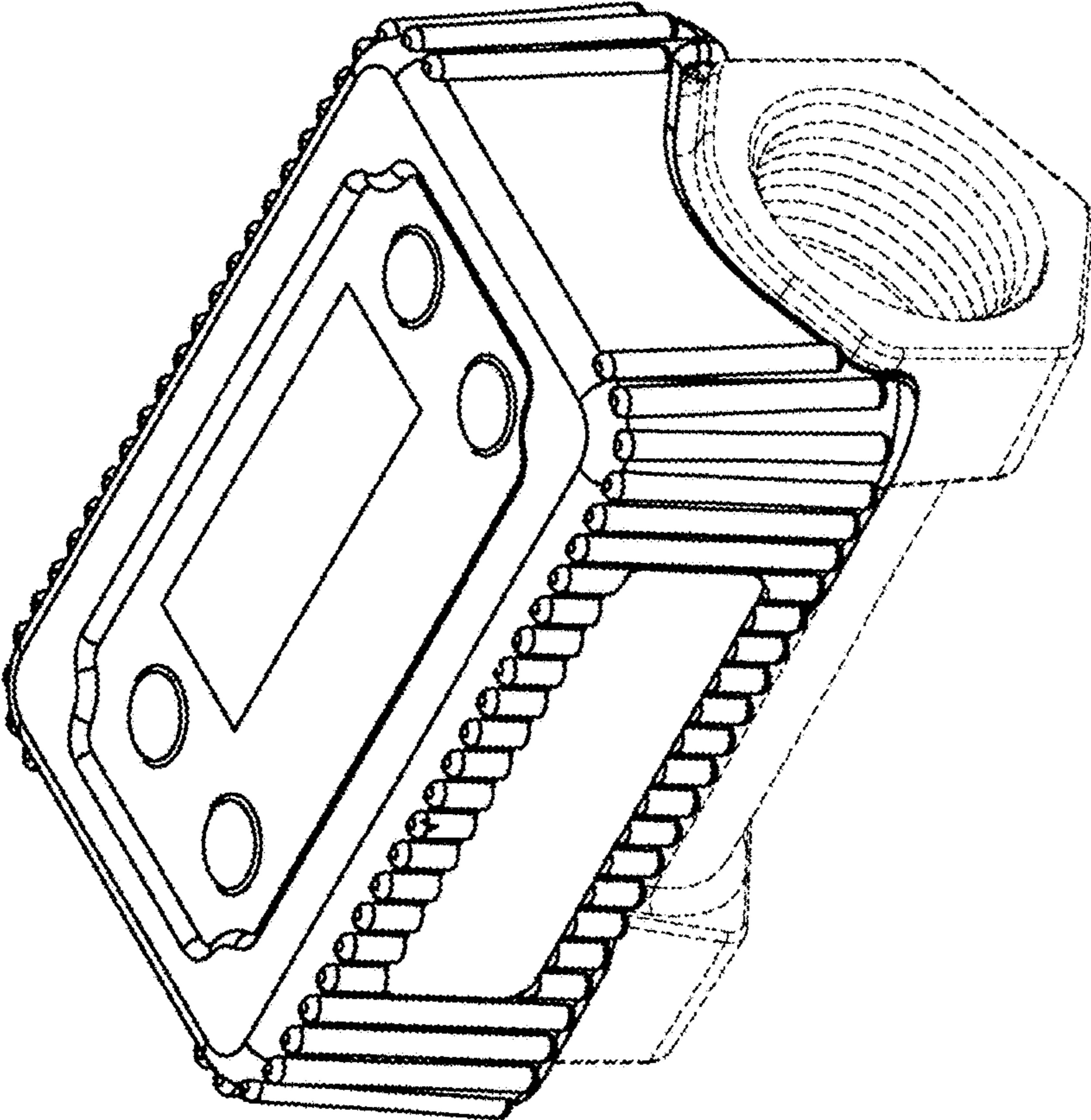


FIG. 1

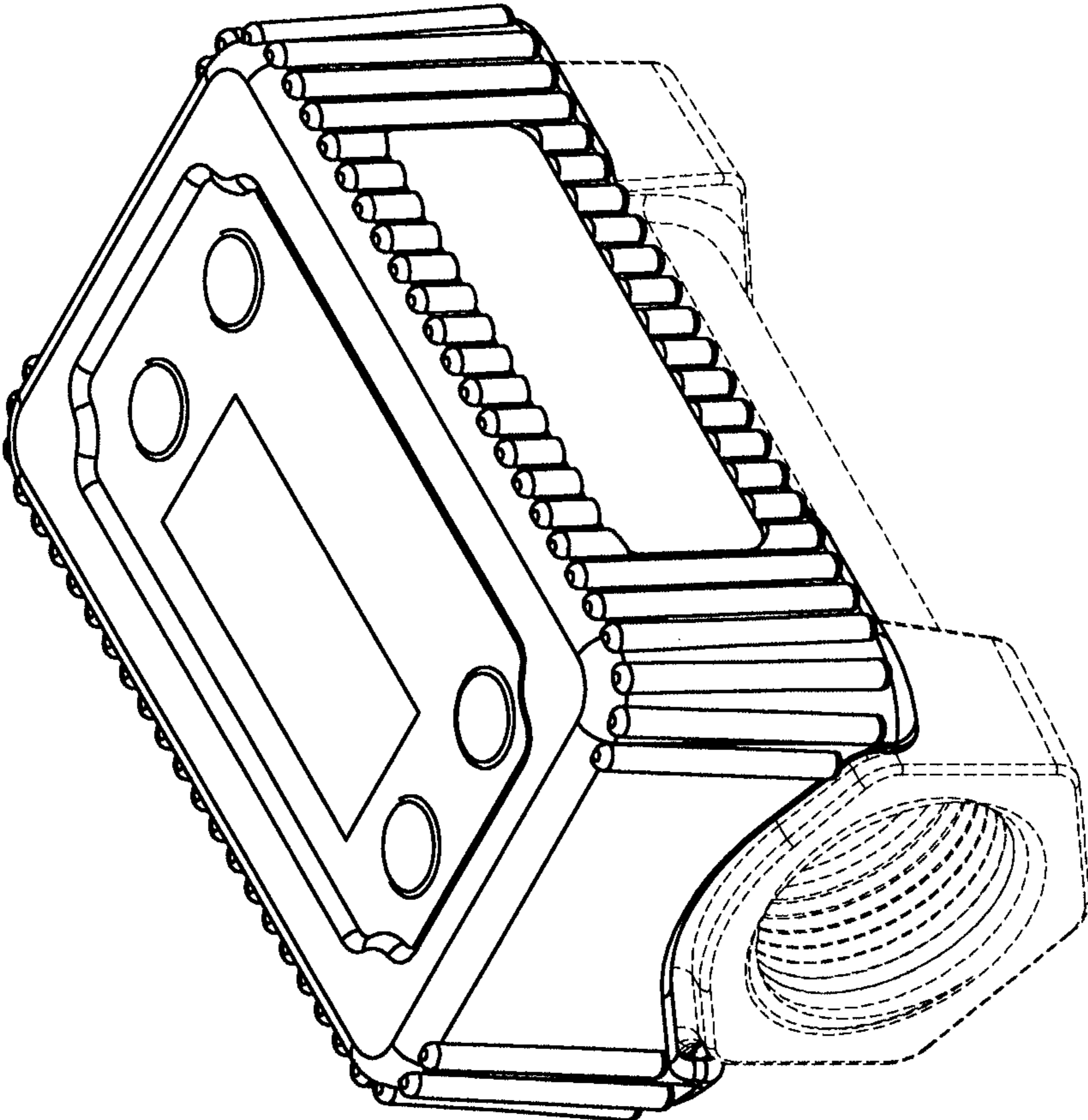


FIG. 2

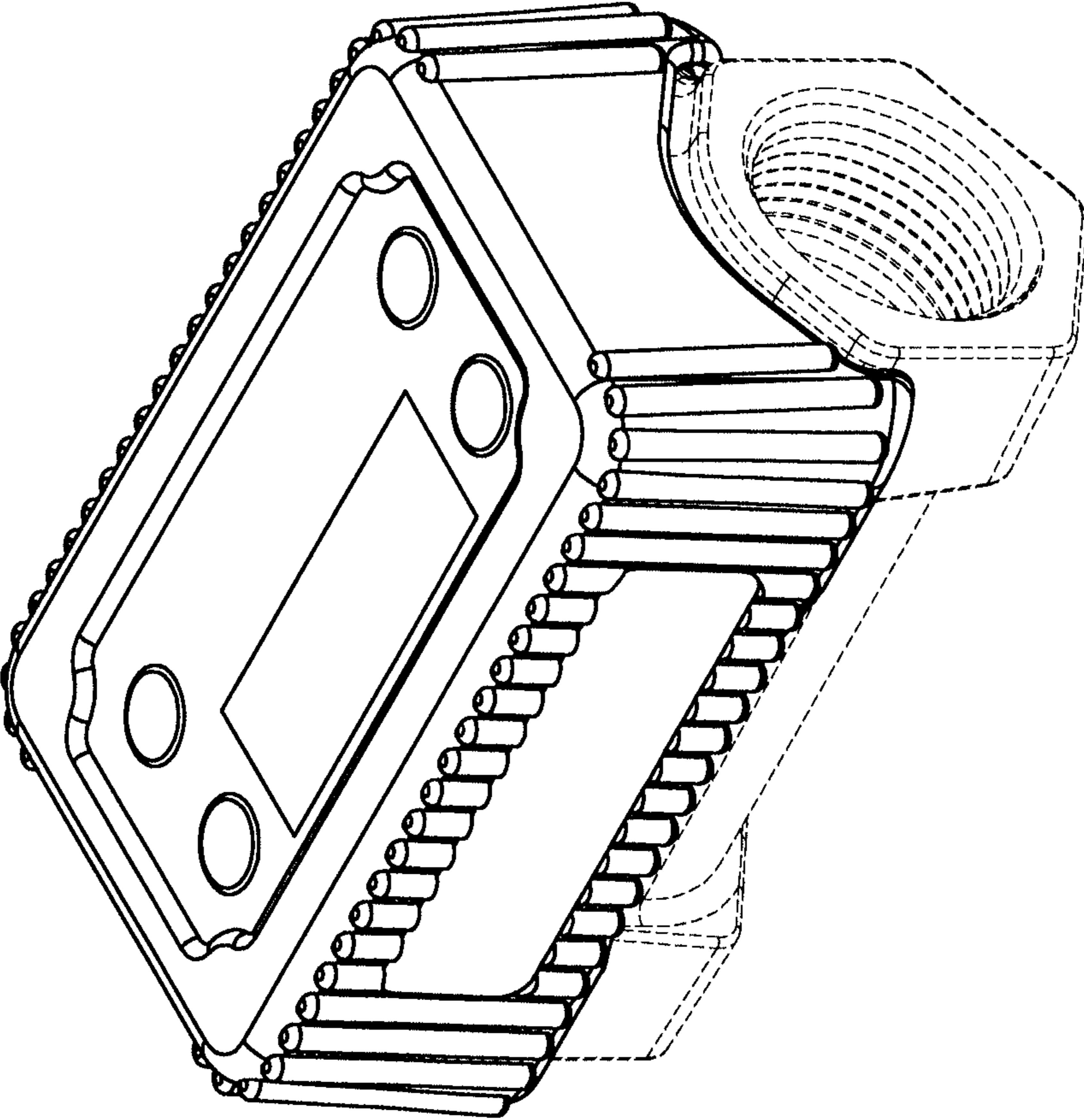


FIG. 3

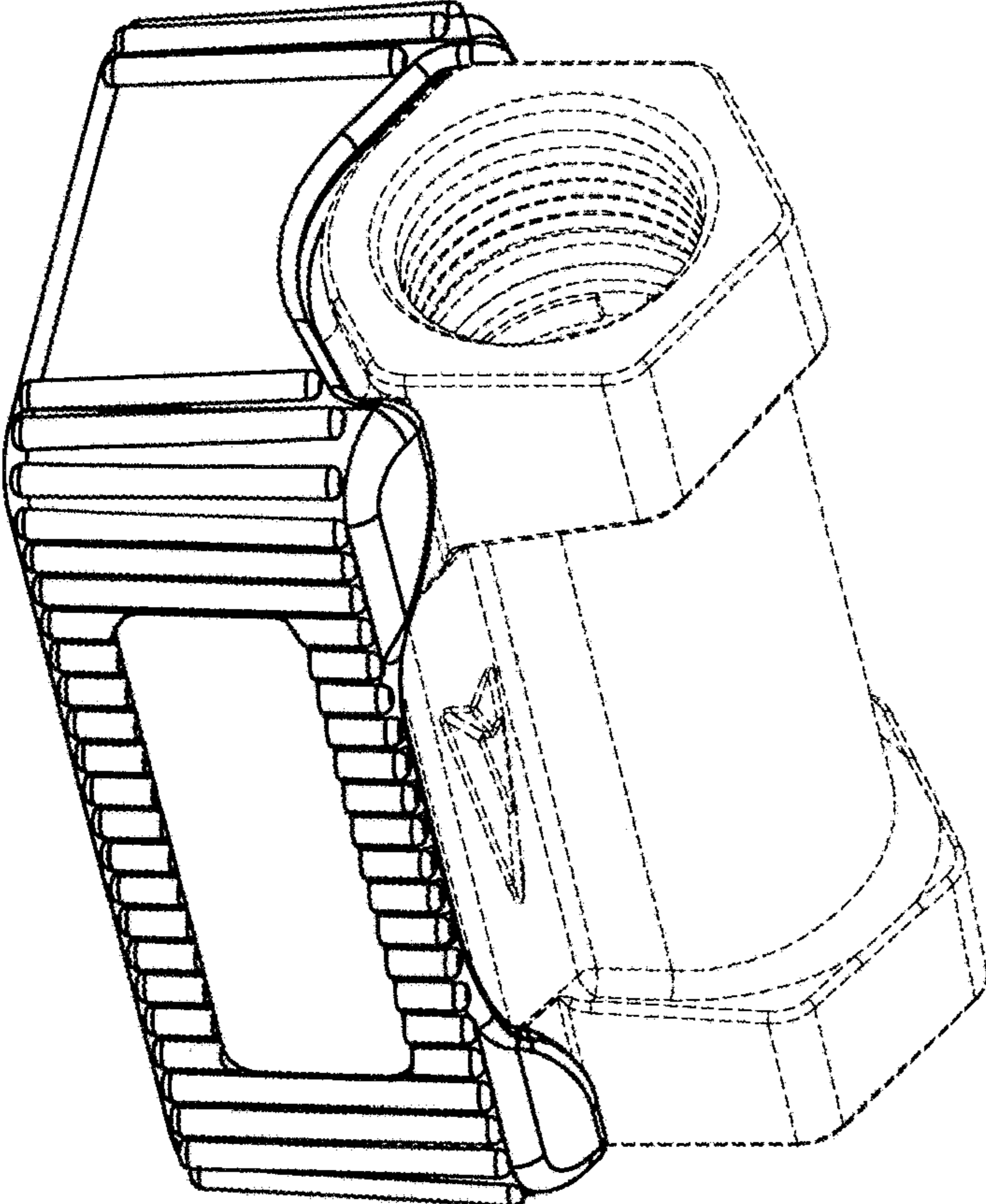


FIG. 4

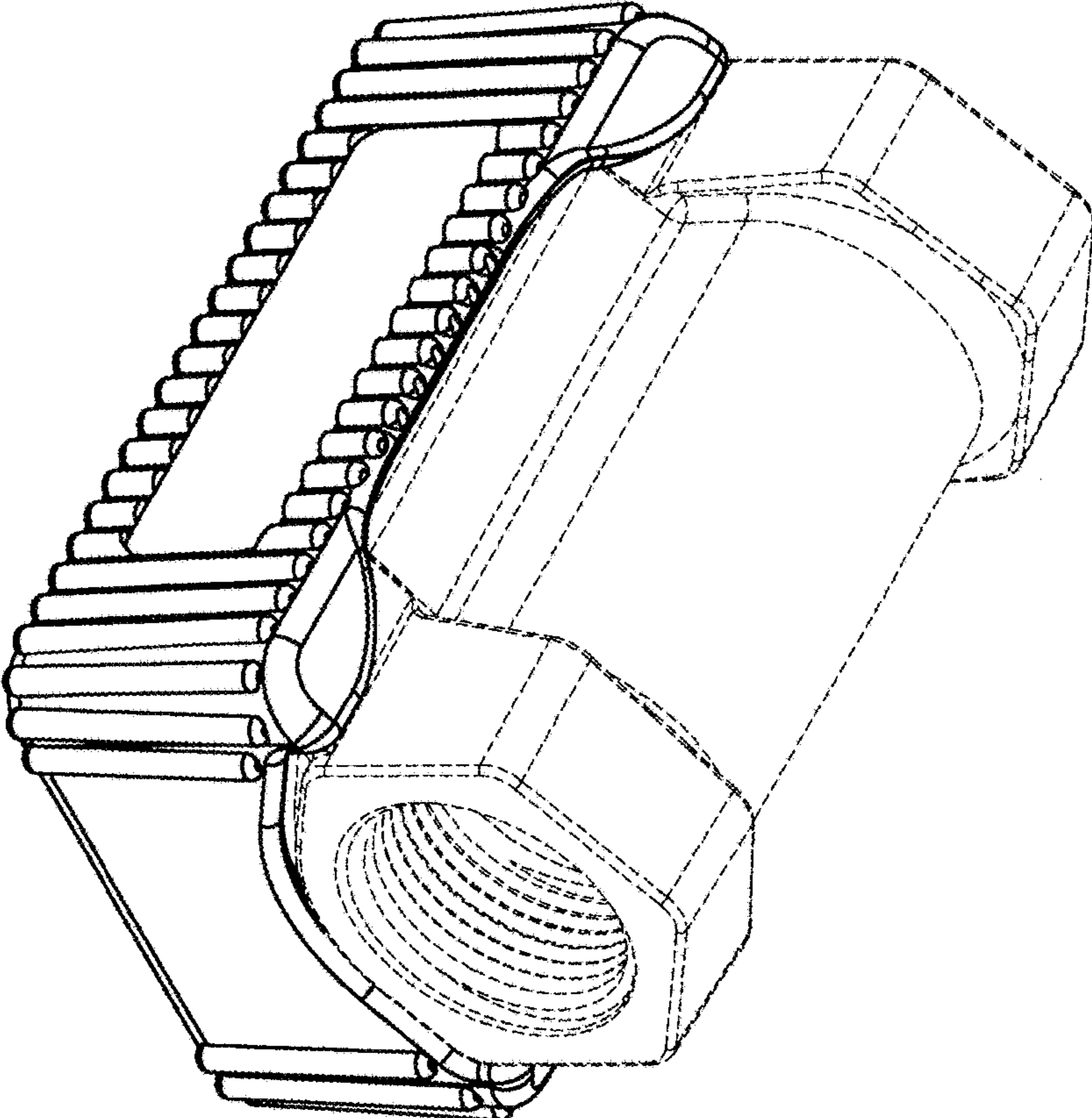


FIG. 5

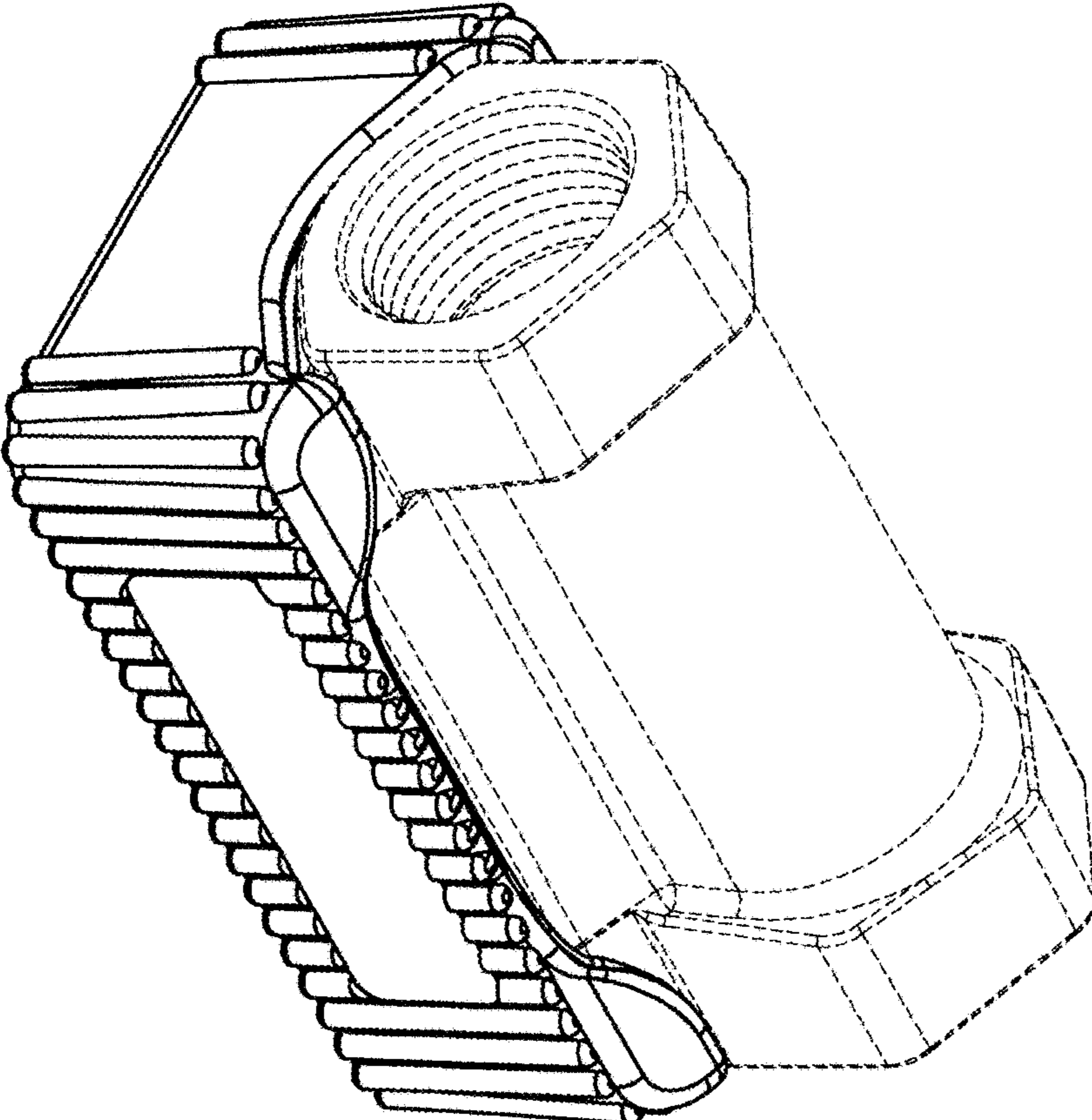


FIG. 6

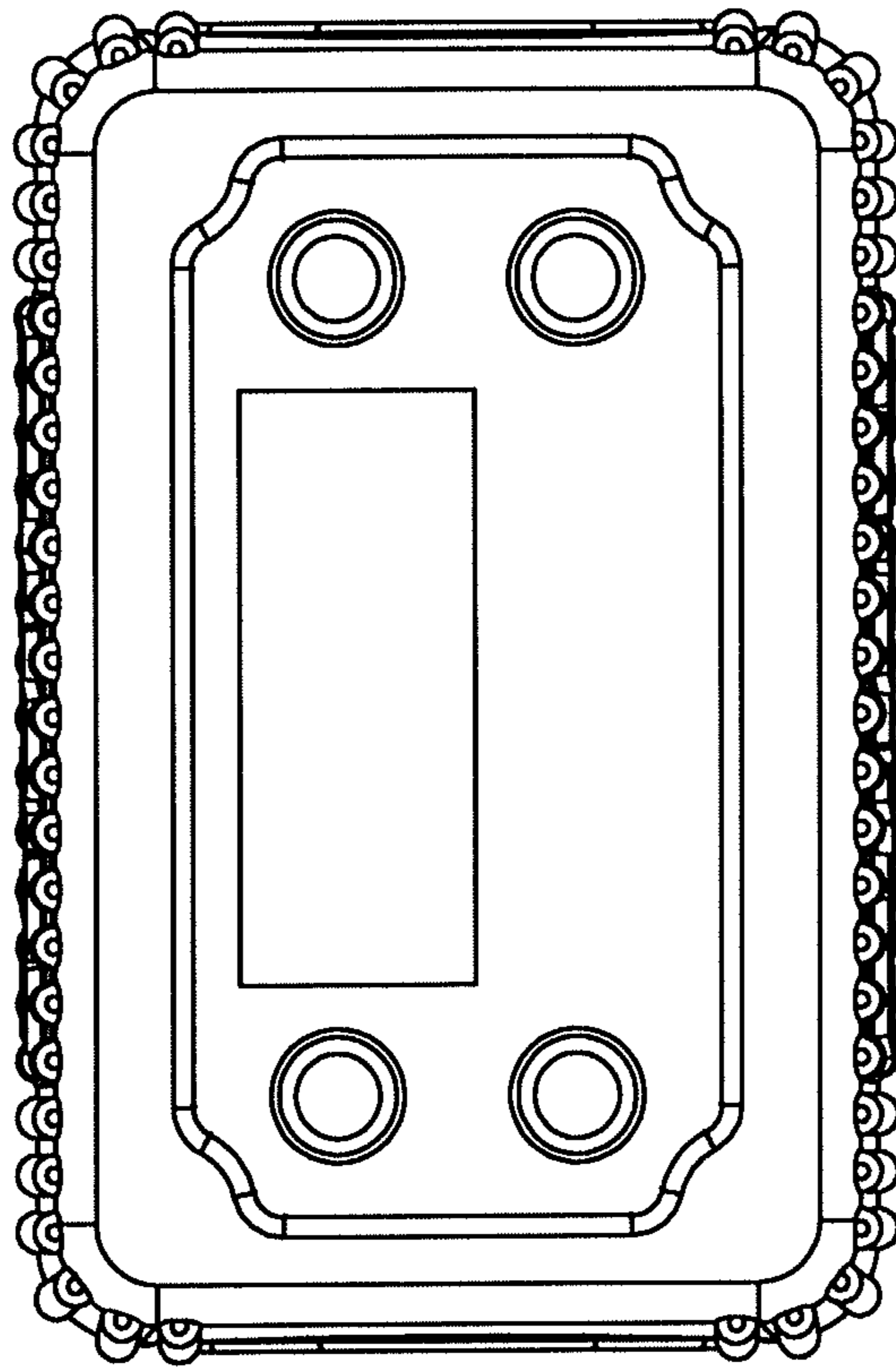


FIG. 7

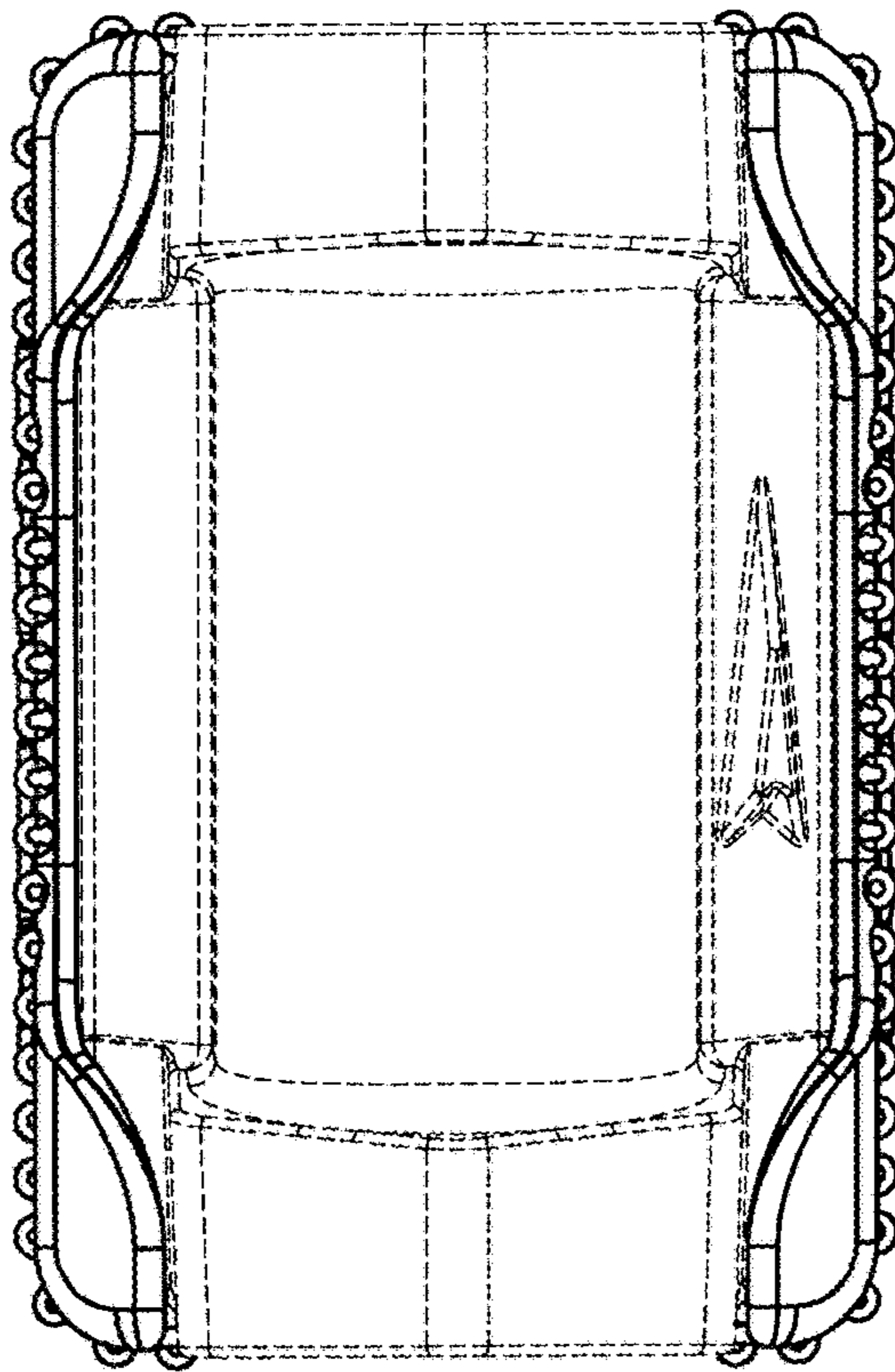


FIG. 8

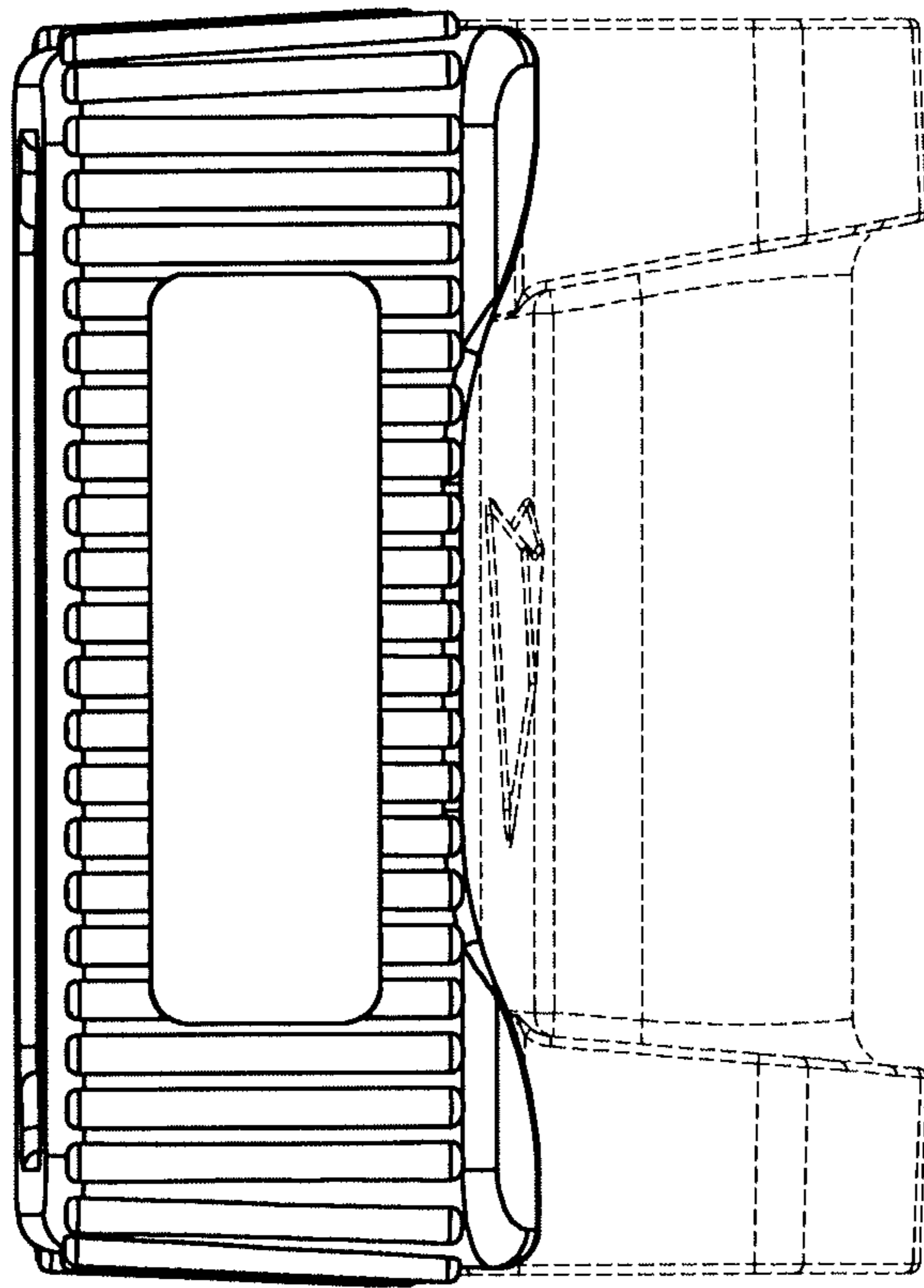


FIG. 9

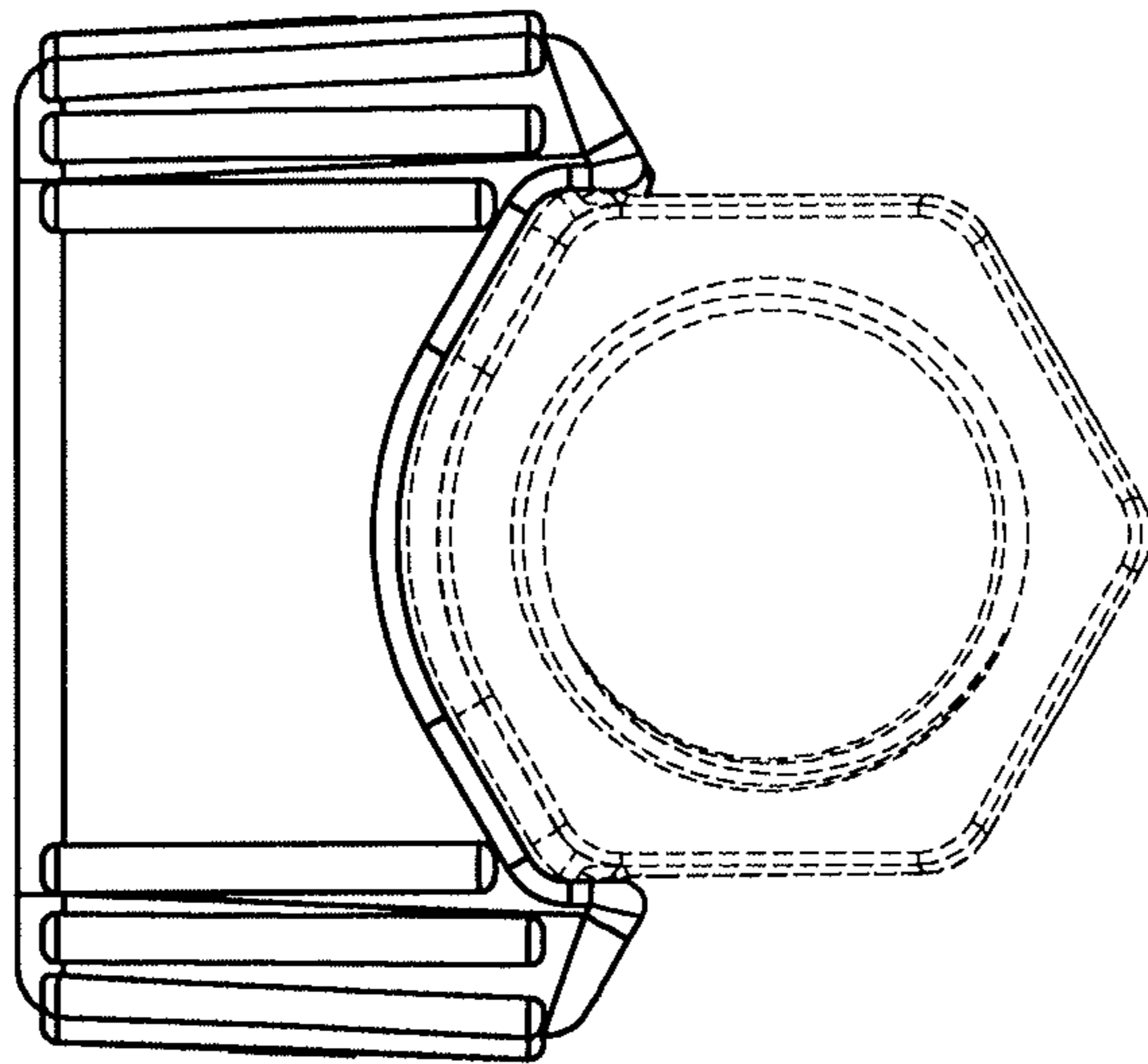


FIG. 10

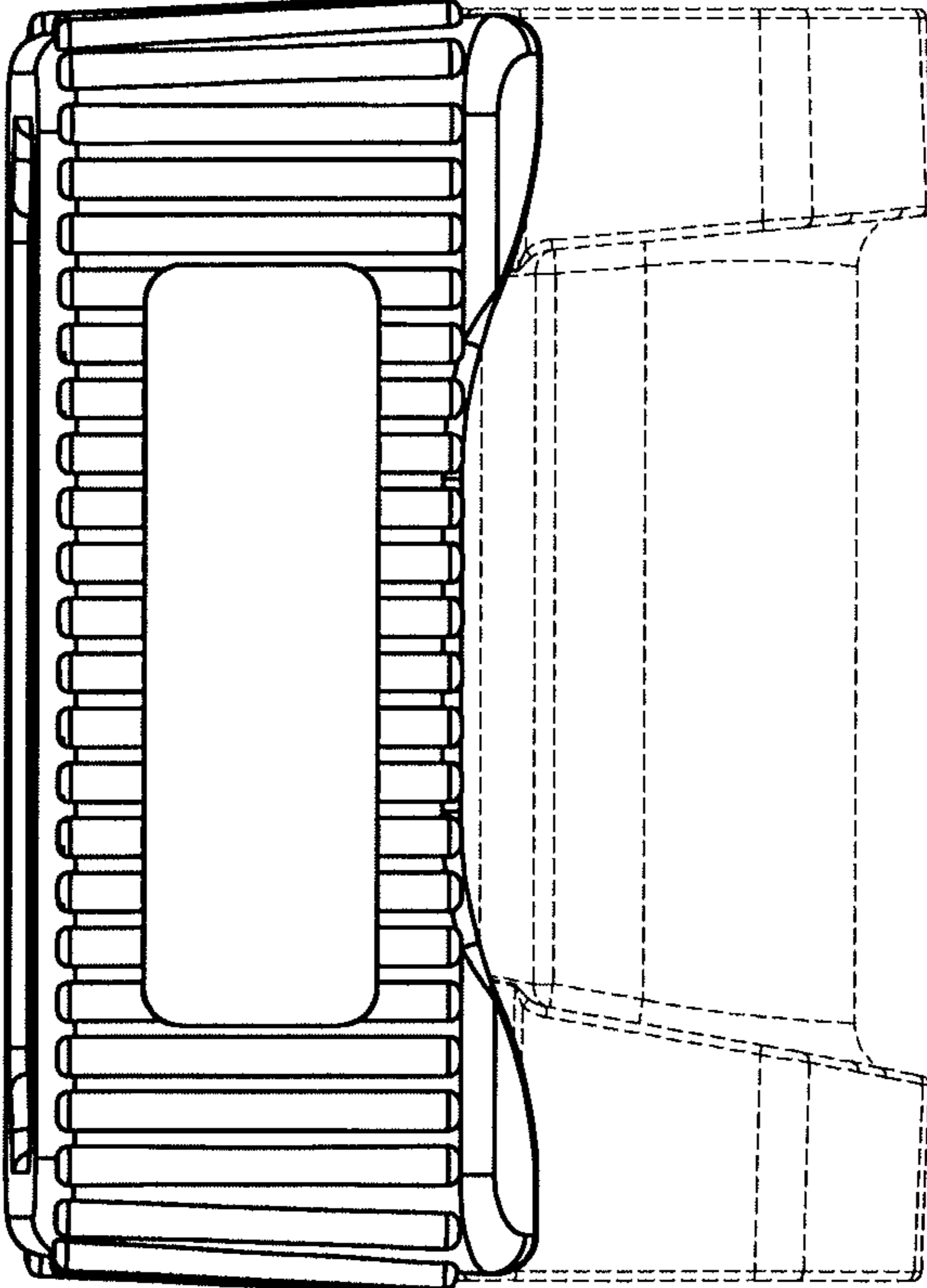


FIG. 11

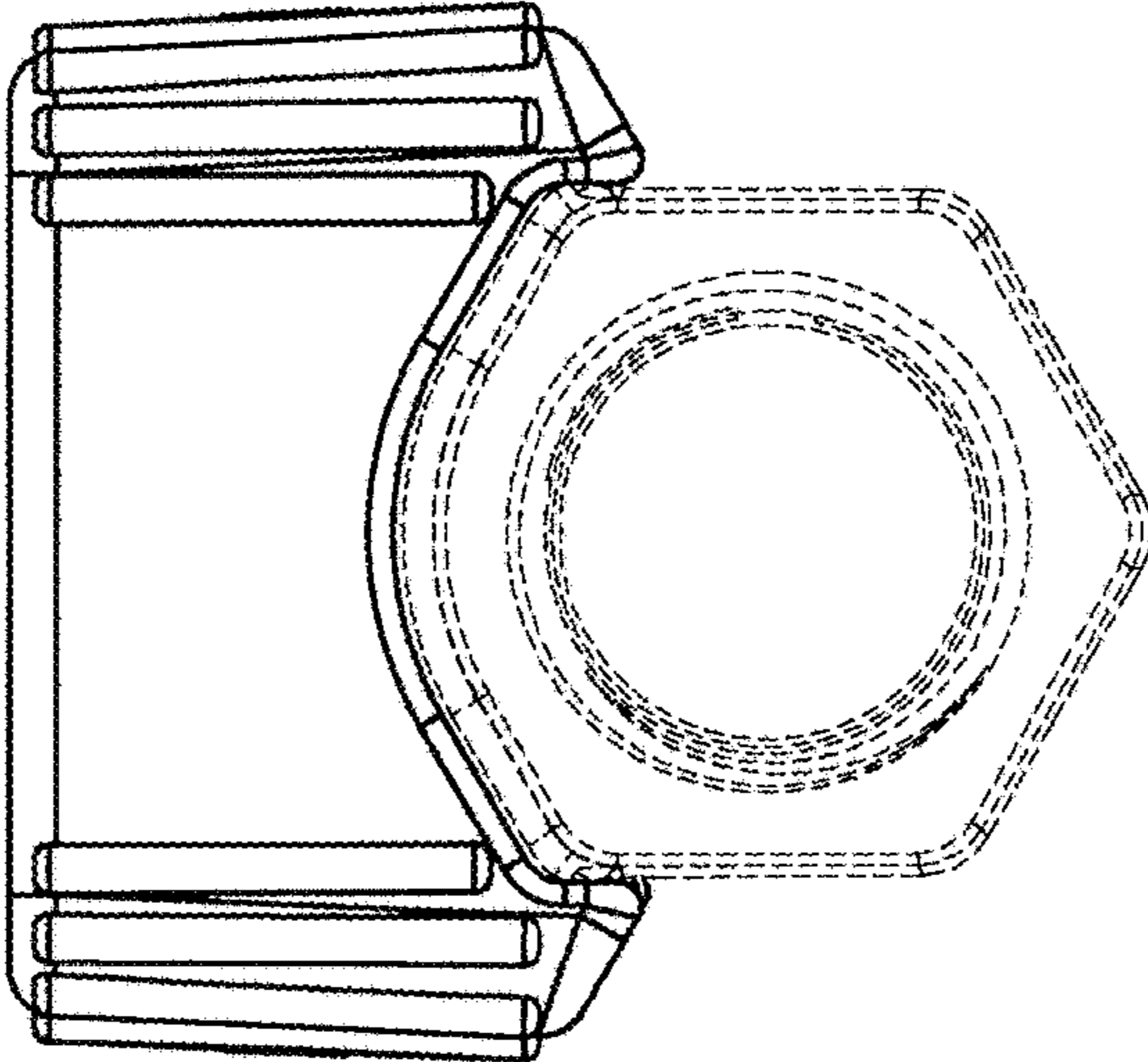


FIG. 12

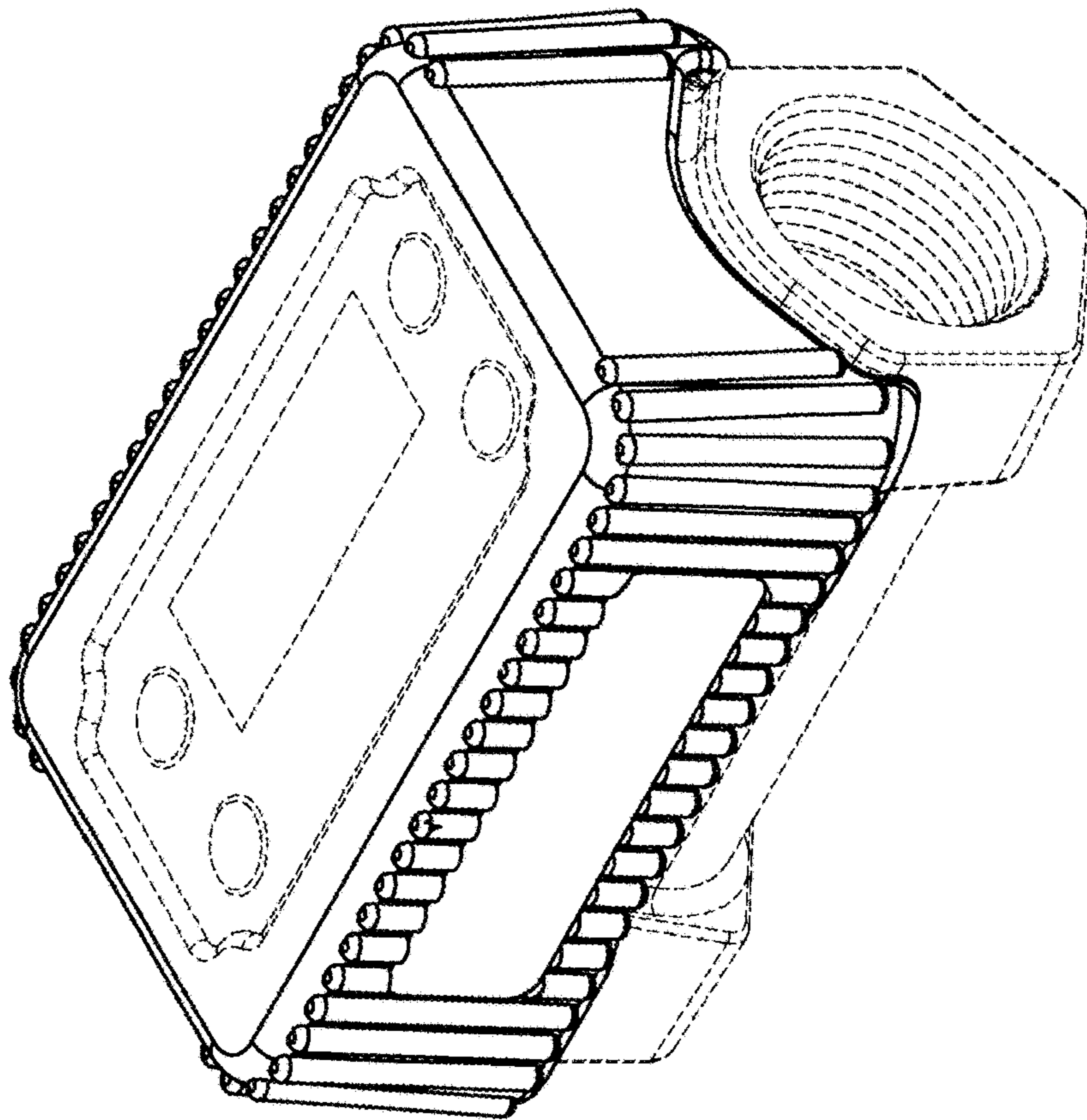


FIG. 13

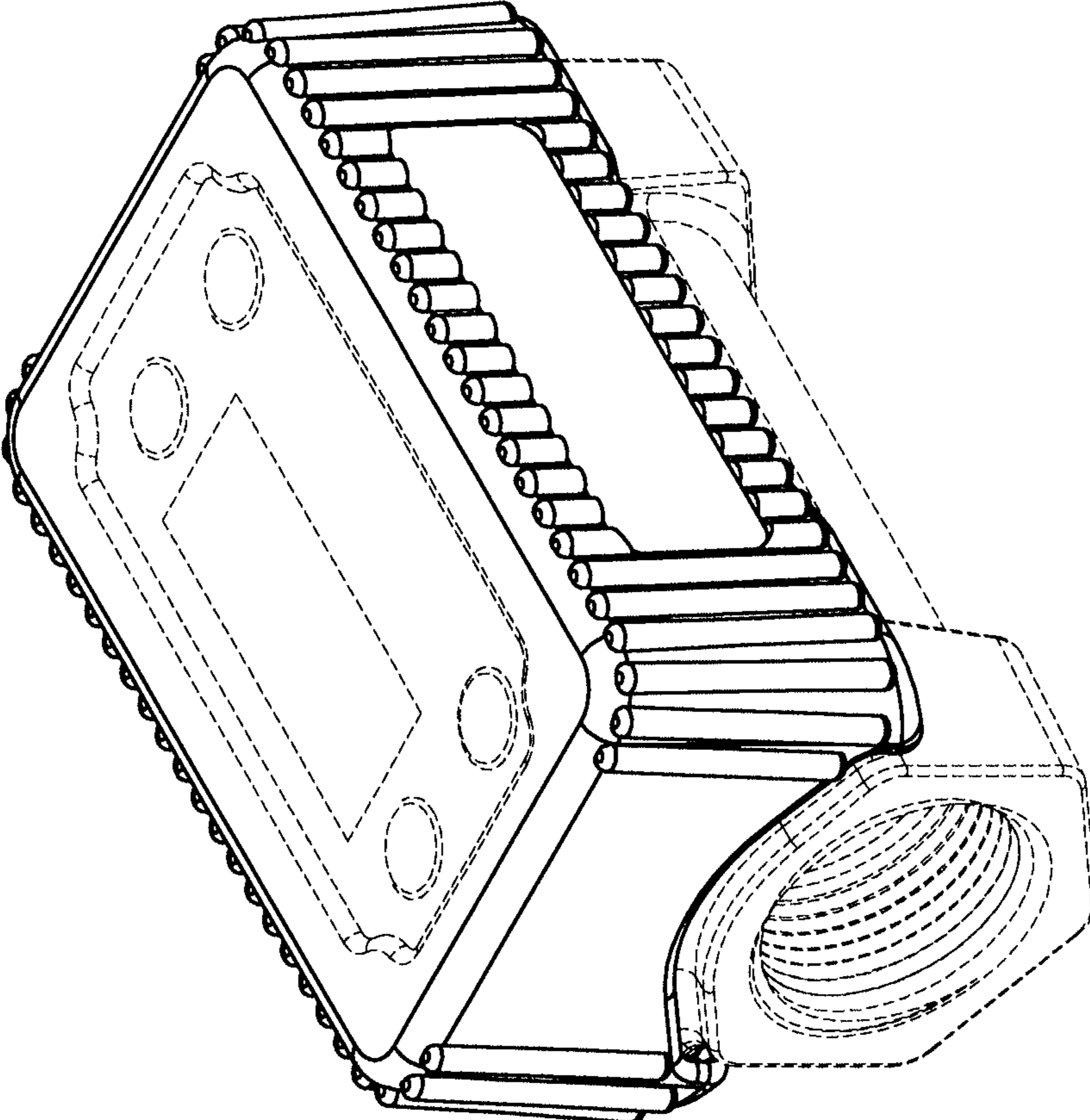


FIG. 14

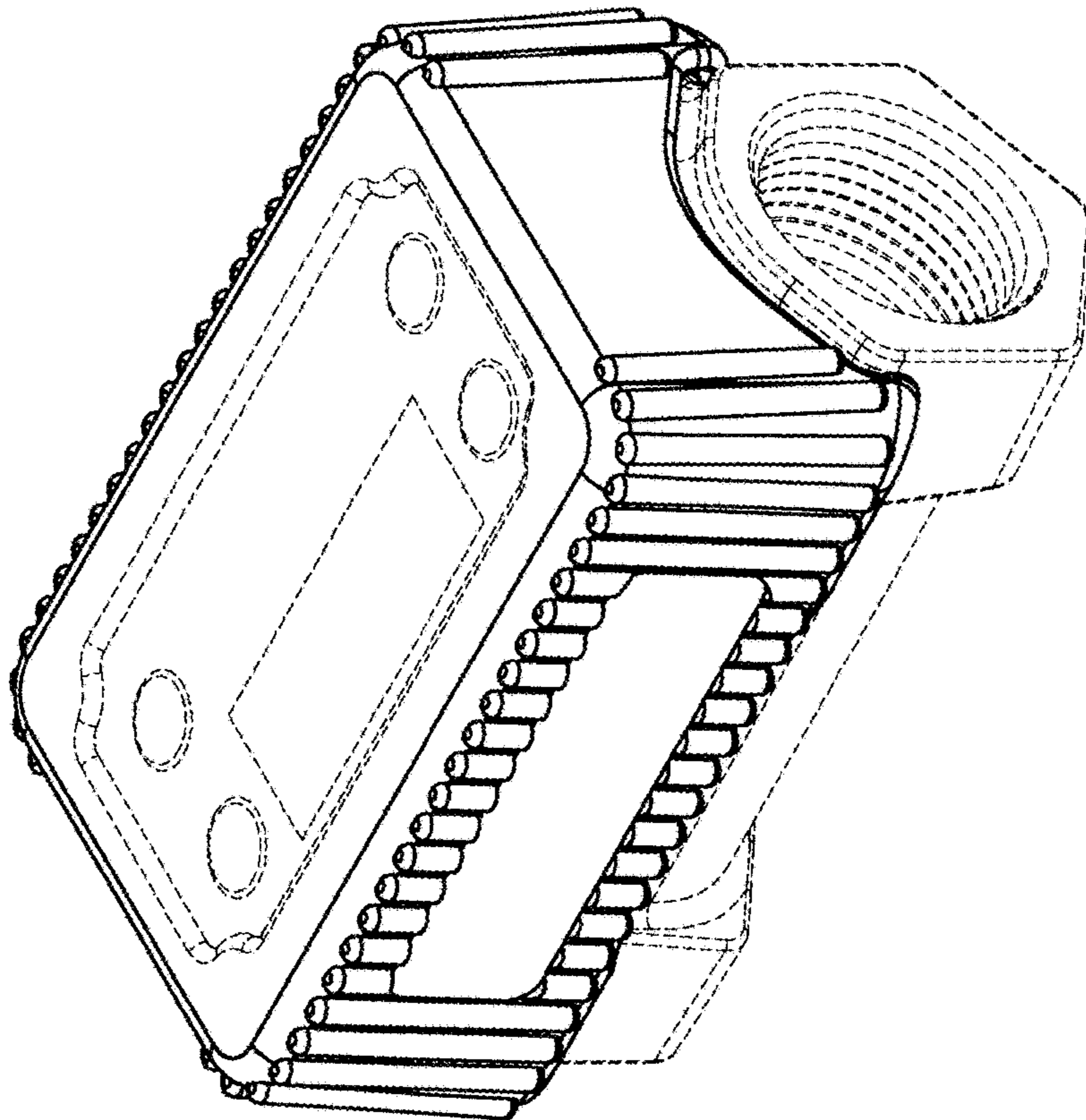


FIG. 15

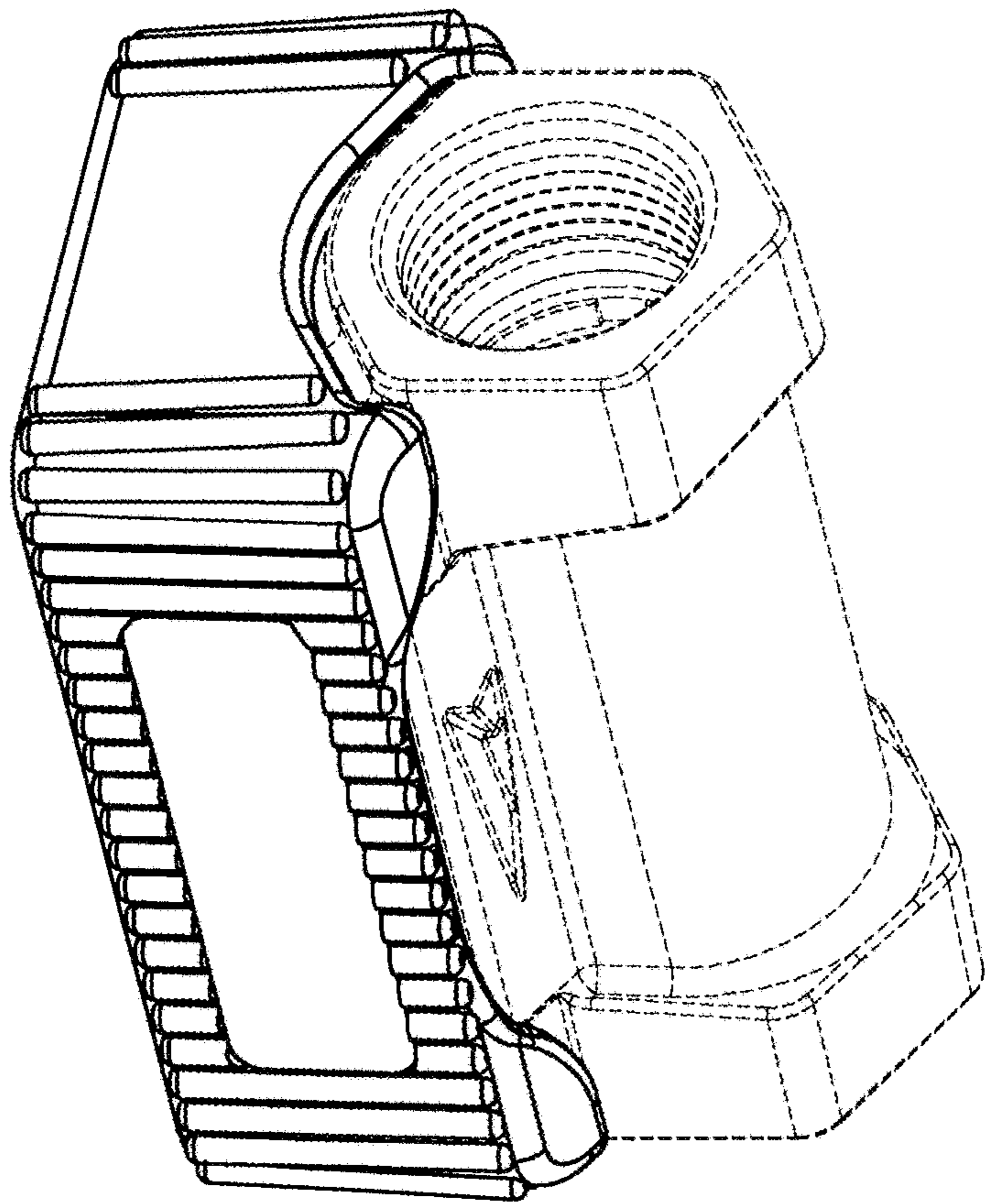


FIG. 16

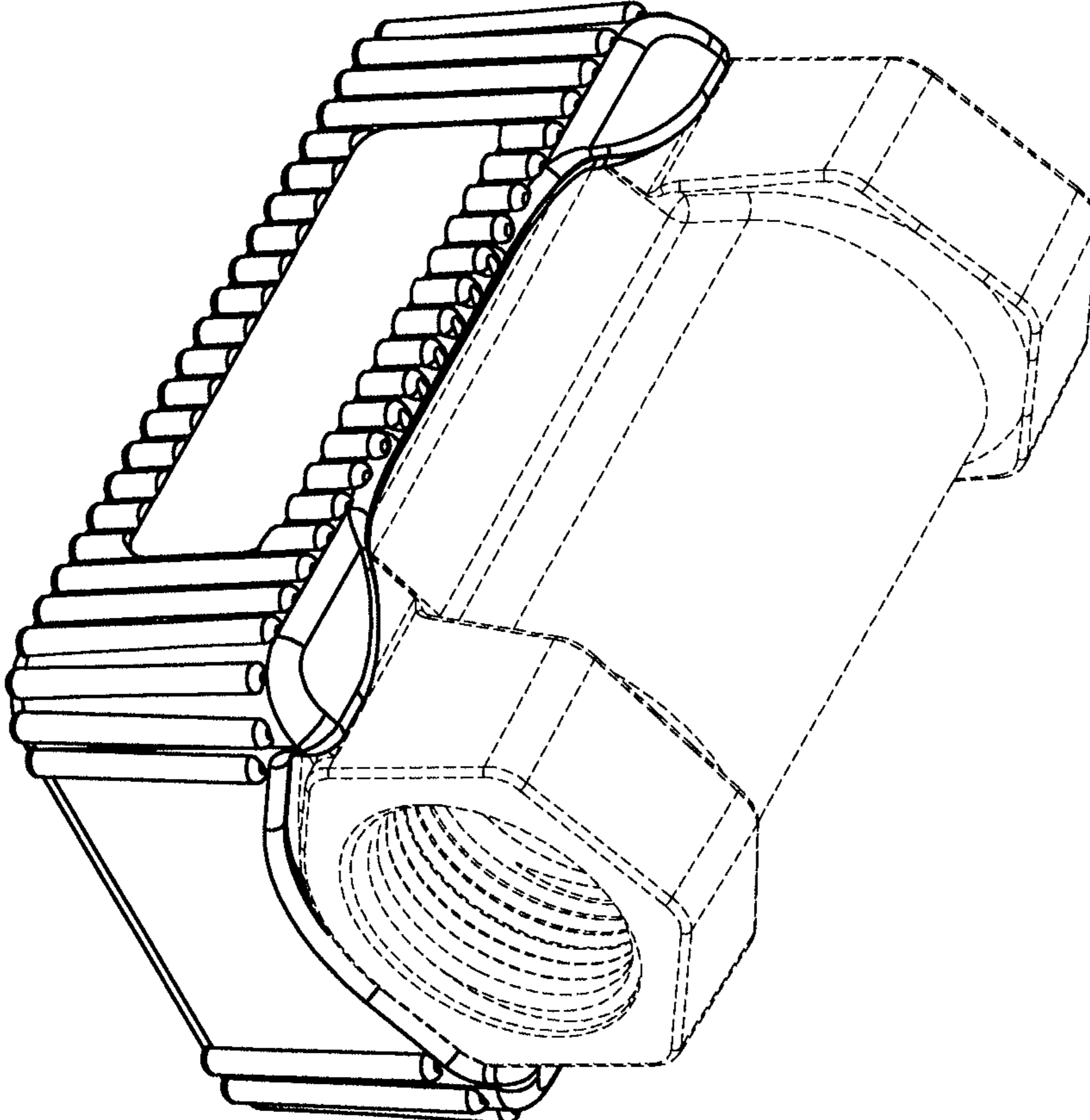


FIG. 17

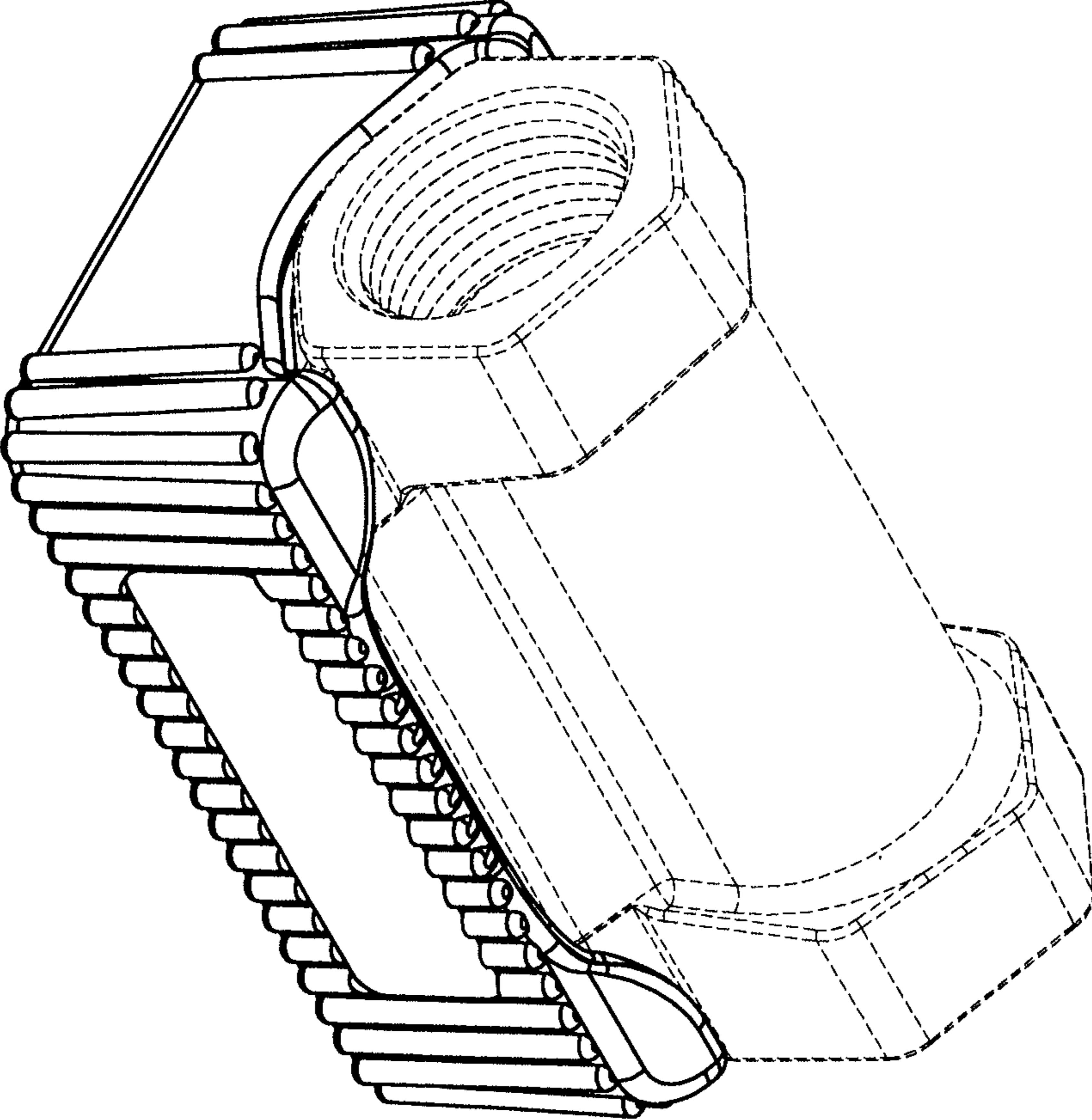


FIG. 18

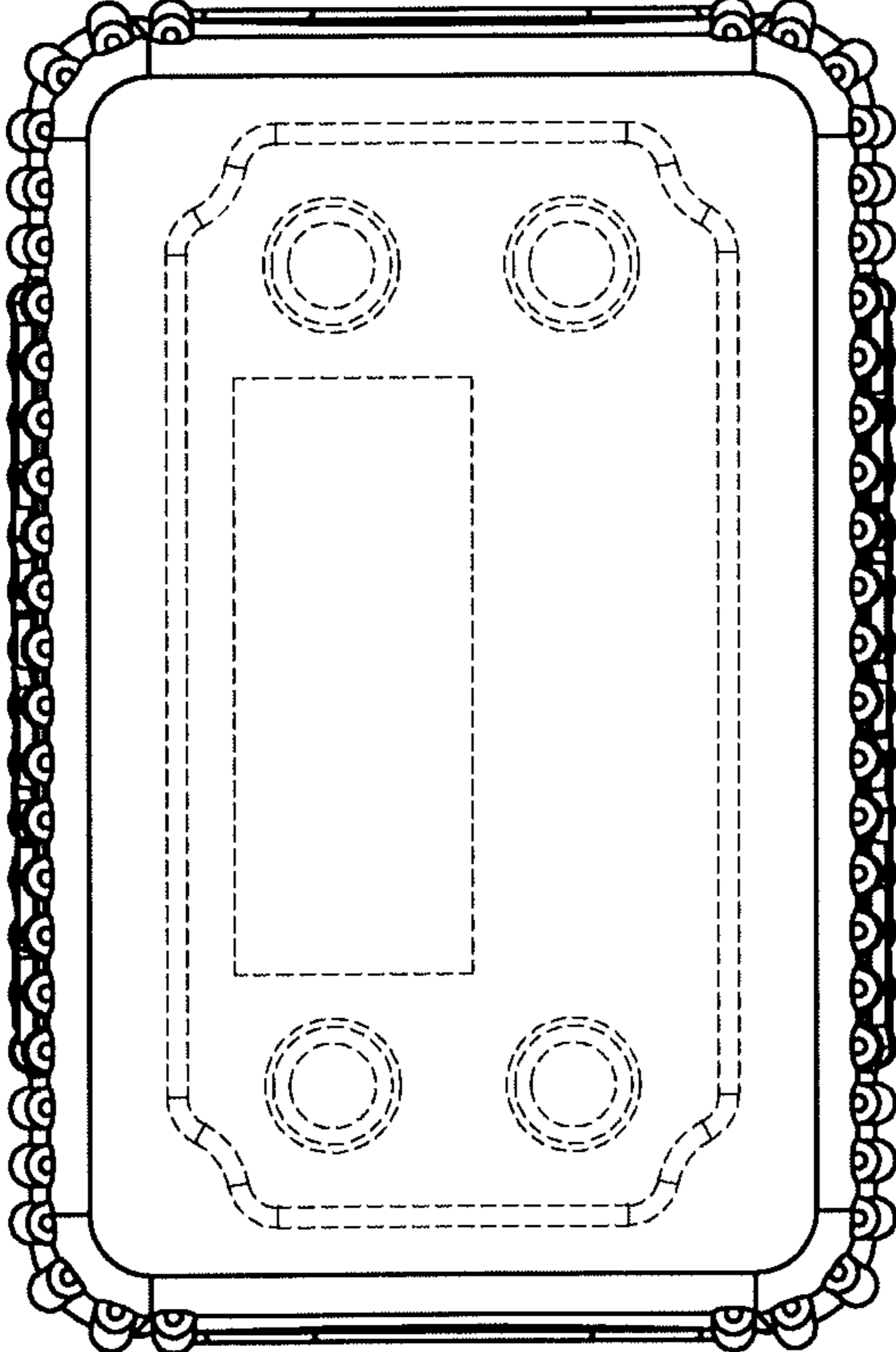


FIG. 19

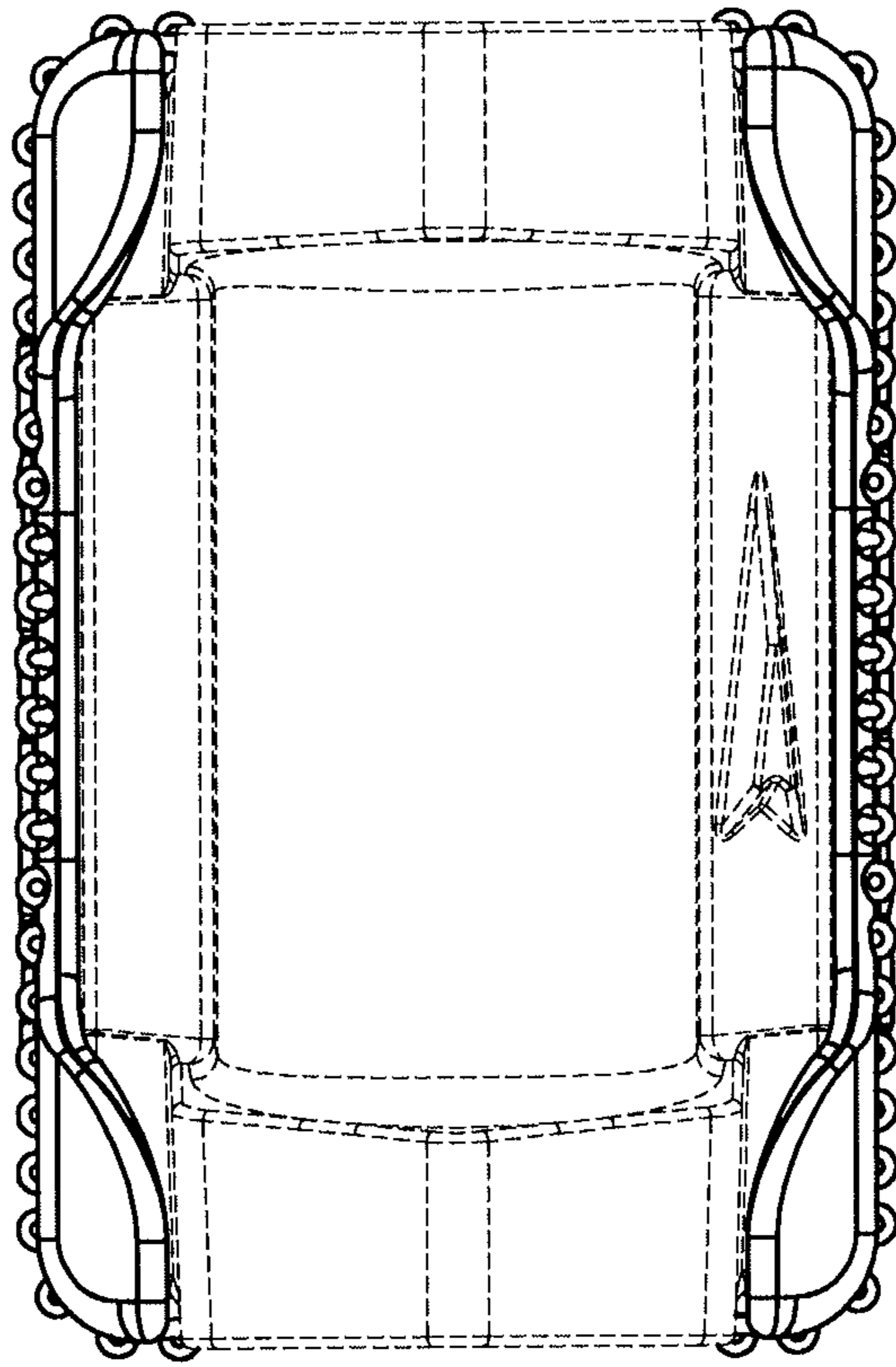


FIG. 20

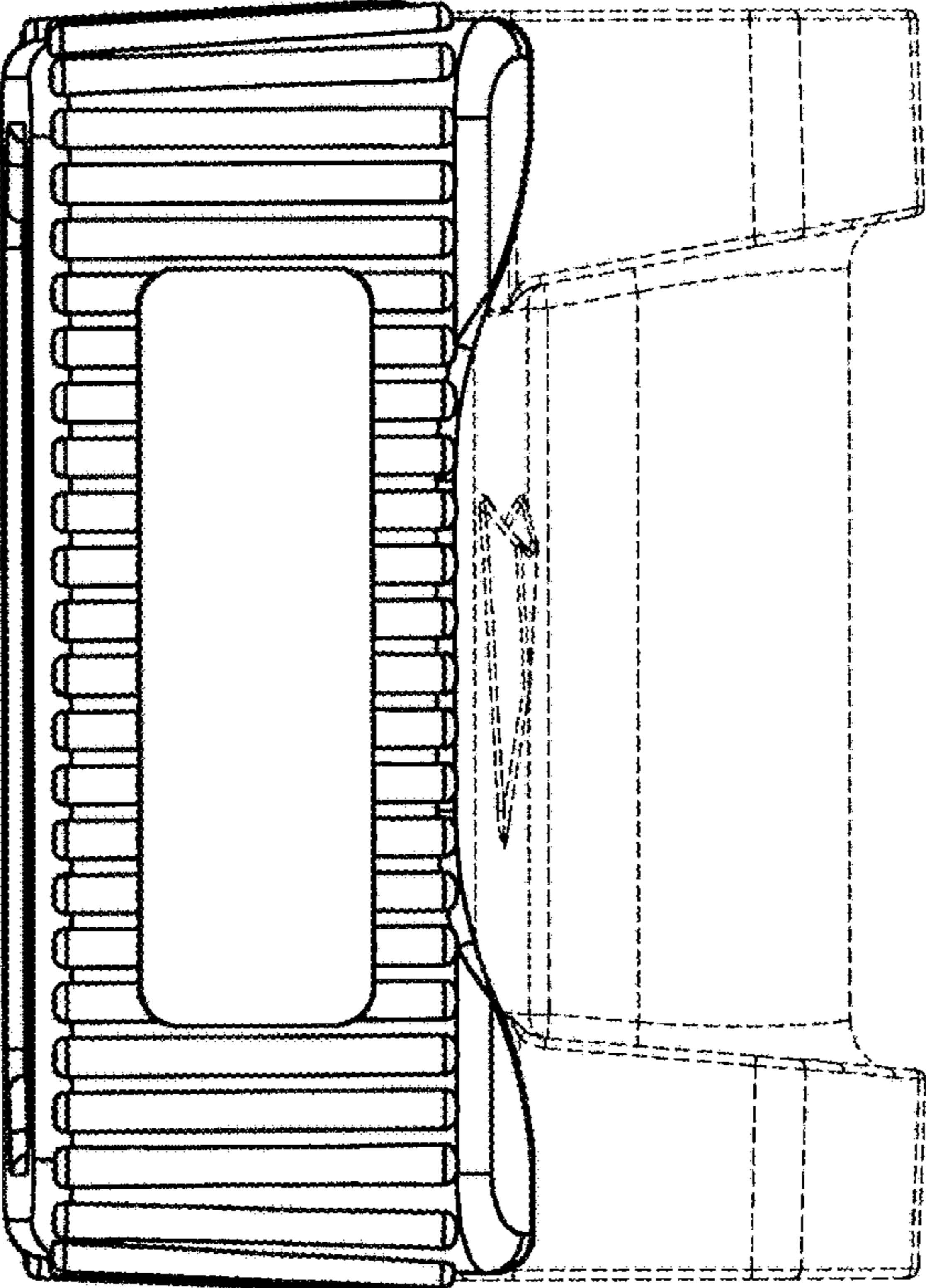


FIG. 21

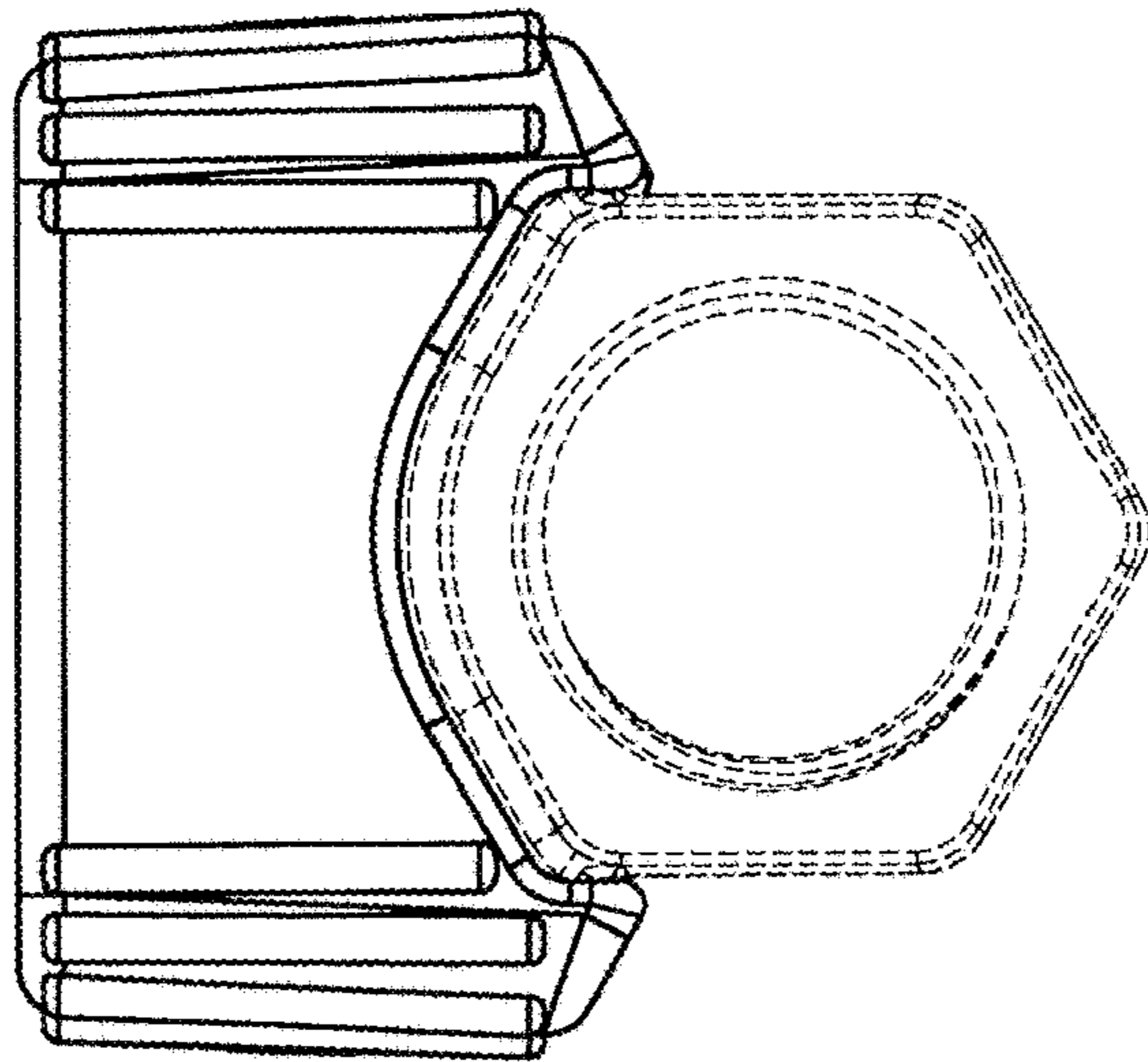


FIG. 22

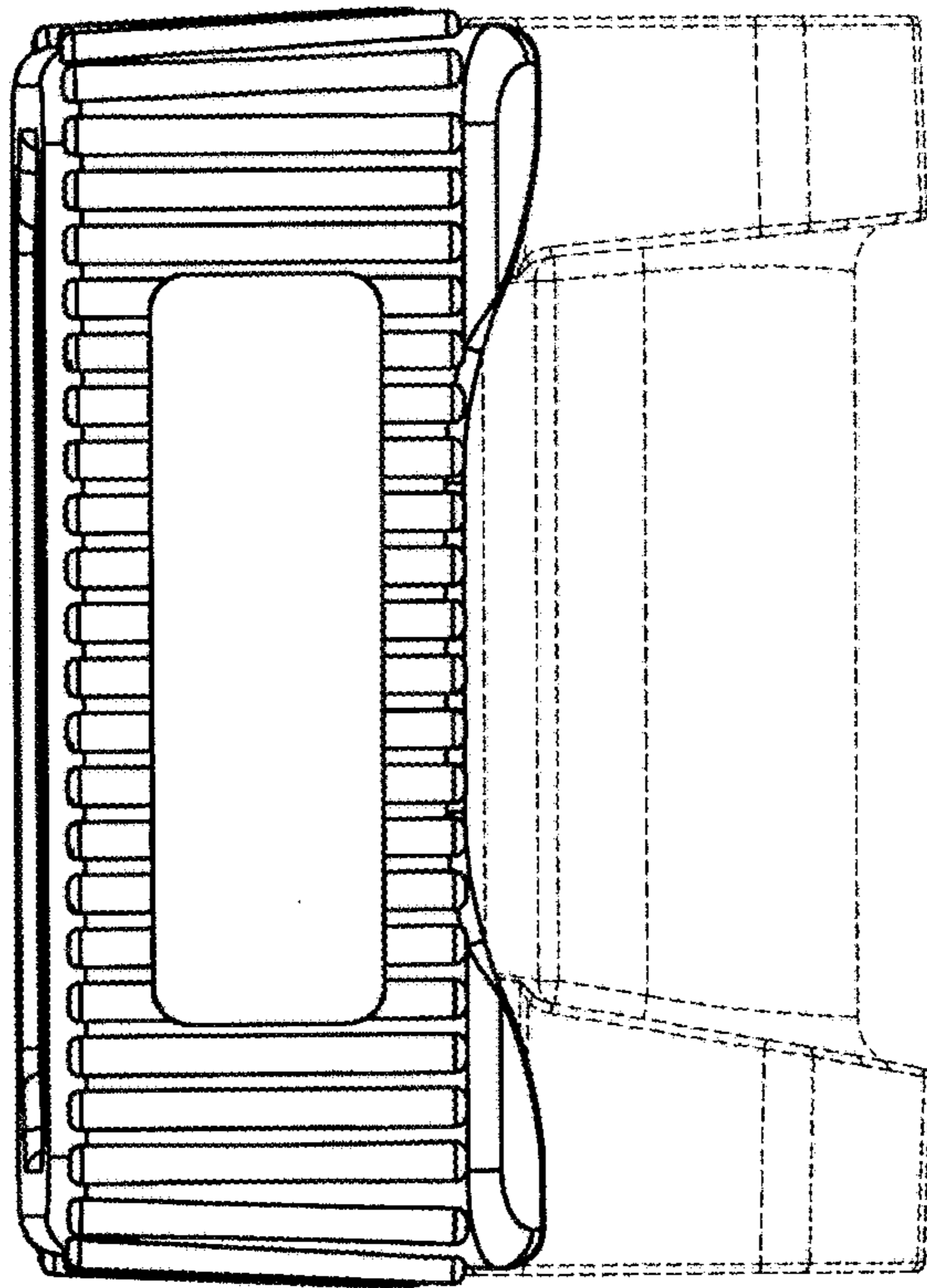


FIG. 23

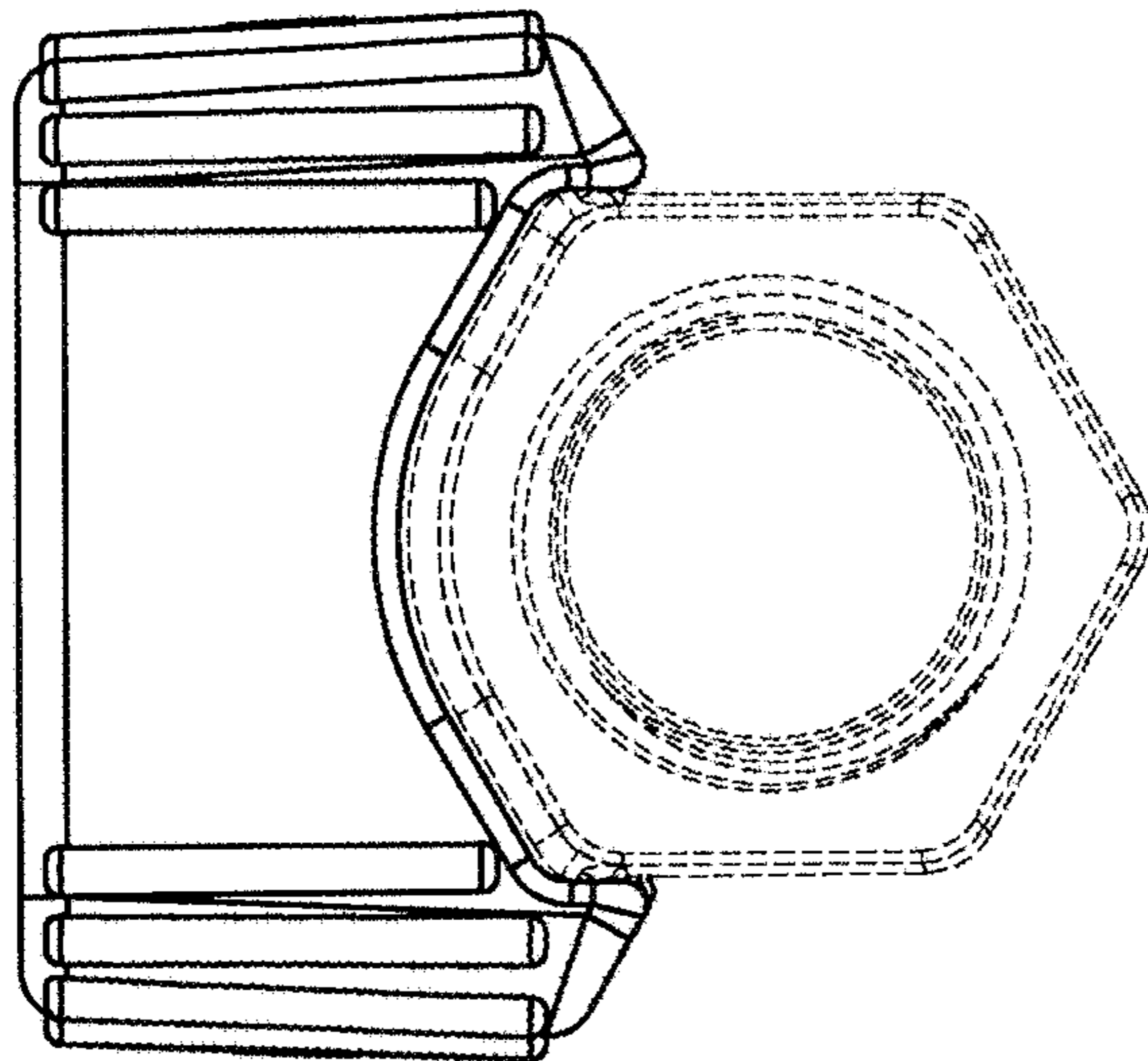


FIG. 24