



US00D850958S

(12) **United States Design Patent** (10) **Patent No.:** **US D850,958 S**
Pan (45) **Date of Patent:** **** Jun. 11, 2019**

(54) **BALANCE**

(71) Applicant: **WEIGHMAX GROUP**, City of Industry, CA (US)

(72) Inventor: **Yun Pan**, Shenzhen (CN)

(73) Assignee: **WEIGHMAX GROUP**, City of Industry, CA (US)

(**) Term: **15 Years**

(21) Appl. No.: **29/597,178**

(22) Filed: **Mar. 15, 2017**

(30) **Foreign Application Priority Data**

Oct. 13, 2016 (CN) 2016 3 0501819

(51) **LOC (11) Cl.** **10-04**

(52) **U.S. Cl.**
USPC **D10/91**

(58) **Field of Classification Search**

USPC D10/46, 47, 49, 50, 57, 61, 70, 71,
D10/82-87, 90, 91, 92, 97, 100-102,
D10/104.1, 106.2, 106.6, 106.8, 106.9,
D10/106.95, 116.1, 118.2, 121, 122, 125,
D10/126; D16/237, 238, 239, 248;
D21/398, 405; D24/107, 232; D99/99
CPC F21V 23/0442; Y10S 250/01; Y10S
362/802; G08B 19/00; G08B 29/16

See application file for complete search history.

(56) **References Cited**

U.S. PATENT DOCUMENTS

D311,497 S * 10/1990 Vincent, Sr. D10/75
D470,782 S * 2/2003 Motomizu D10/92
D506,941 S * 7/2005 Leisinger D10/91
D521,890 S * 5/2006 Motomizu D10/91
D548,122 S * 8/2007 Vantine D10/91
D550,108 S * 9/2007 Kesselman D10/91
D550,109 S * 9/2007 Kesselman D10/91
D615,434 S * 5/2010 Regard D10/91
D729,757 S * 5/2015 Lee D14/138 G

D732,499 S * 6/2015 Lee D14/138 G
D734,326 S * 7/2015 McManigal D14/341
D742,264 S * 11/2015 Pan D10/91
D748,625 S * 2/2016 Takahashi D14/345

(Continued)

FOREIGN PATENT DOCUMENTS

WO WO-2016078076 A1 * 5/2016 G01G 21/28

OTHER PUBLICATIONS

Jewelry Scale, posted on amazon.com, Earliest review Feb. 16, 2013, no production date given, [online], [site visited Nov. 15, 2017, URL: https://www.amazon.com/Precision-Blacklight-Laboratory-Commercial-Educational/product-reviews/B0009NDD58/ref=cm_cr_getr_d_paging_btm_5?ie=UTF8&reviewerType=all_rev (Year: 2013).*

(Continued)

Primary Examiner — Garth Rademaker

Assistant Examiner — Fitzgerald L Butac

(74) *Attorney, Agent, or Firm* — Rankin, Hill & Clark LLP

(57) **CLAIM**

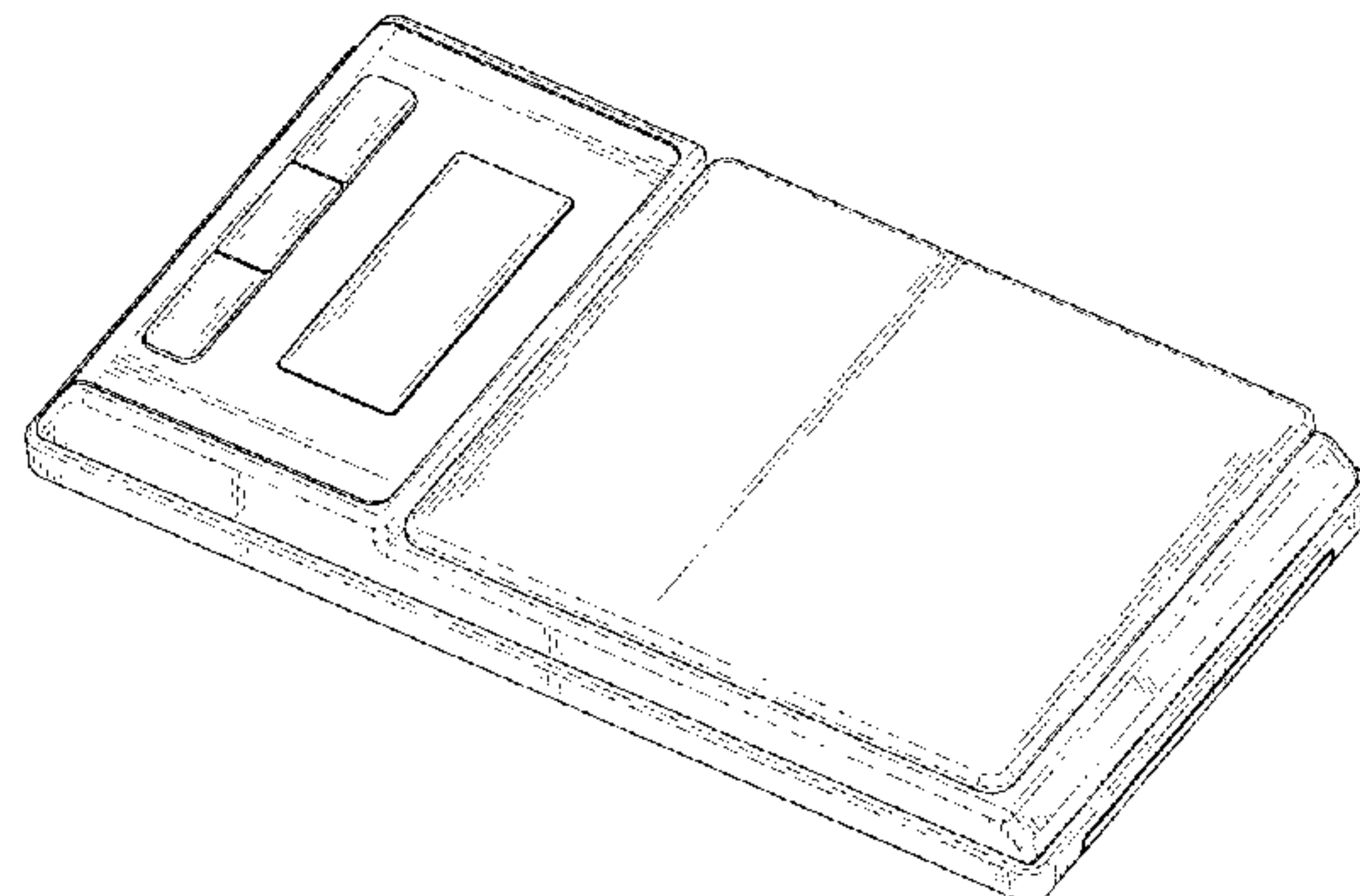
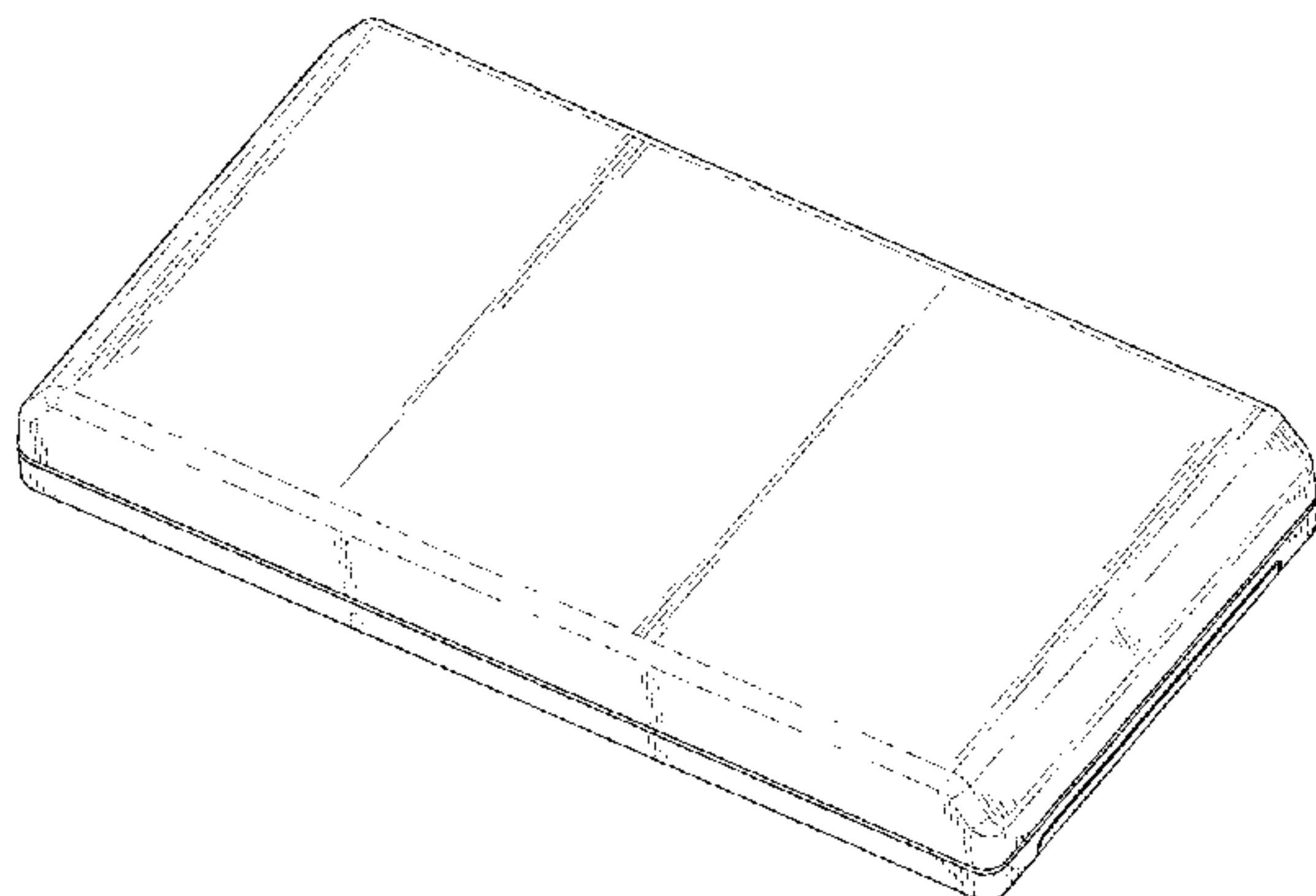
The ornamental design for a “balance,” as shown and described.

DESCRIPTION

FIG. 1 is a perspective view of a balance;
FIG. 2 is a front view of the balance;
FIG. 3 is a back view of the balance;
FIG. 4 is a left side view of the balance;
FIG. 5 is a right side view of the balance;
FIG. 6 is a top view of the balance;
FIG. 7 is a bottom view of the balance; and,
FIG. 8 is a perspective view of the balance with a protection cover removed.

The broken lines in the drawings show portions of a balance that form no part of the claimed design.

1 Claim, 8 Drawing Sheets



(56)

References Cited

U.S. PATENT DOCUMENTS

D751,071 S * 3/2016 Kurata D14/365
D756,995 S * 5/2016 Yamazaki D14/341
D770,998 S * 11/2016 Kwak D14/138 AB
D779,482 S * 2/2017 Kim D14/341
D786,803 S * 5/2017 Kim D13/168
D796,352 S * 9/2017 Morneau D10/49
D801,288 S * 10/2017 Kim D13/168
D801,837 S * 11/2017 Tsai D10/91
2017/0108371 A1 * 4/2017 Pan G01G 21/28

OTHER PUBLICATIONS

TBBSC Pocket Scale, posted on amazon.com, first available Jul. 26, 2015, no production date given, [online], [site visited Nov. 15, 2017], URL: https://www.amazon.com/dp/B012KE9DBU/ref=sspa_dk_detail_0?psc=1 (Year: 2015).*

* cited by examiner

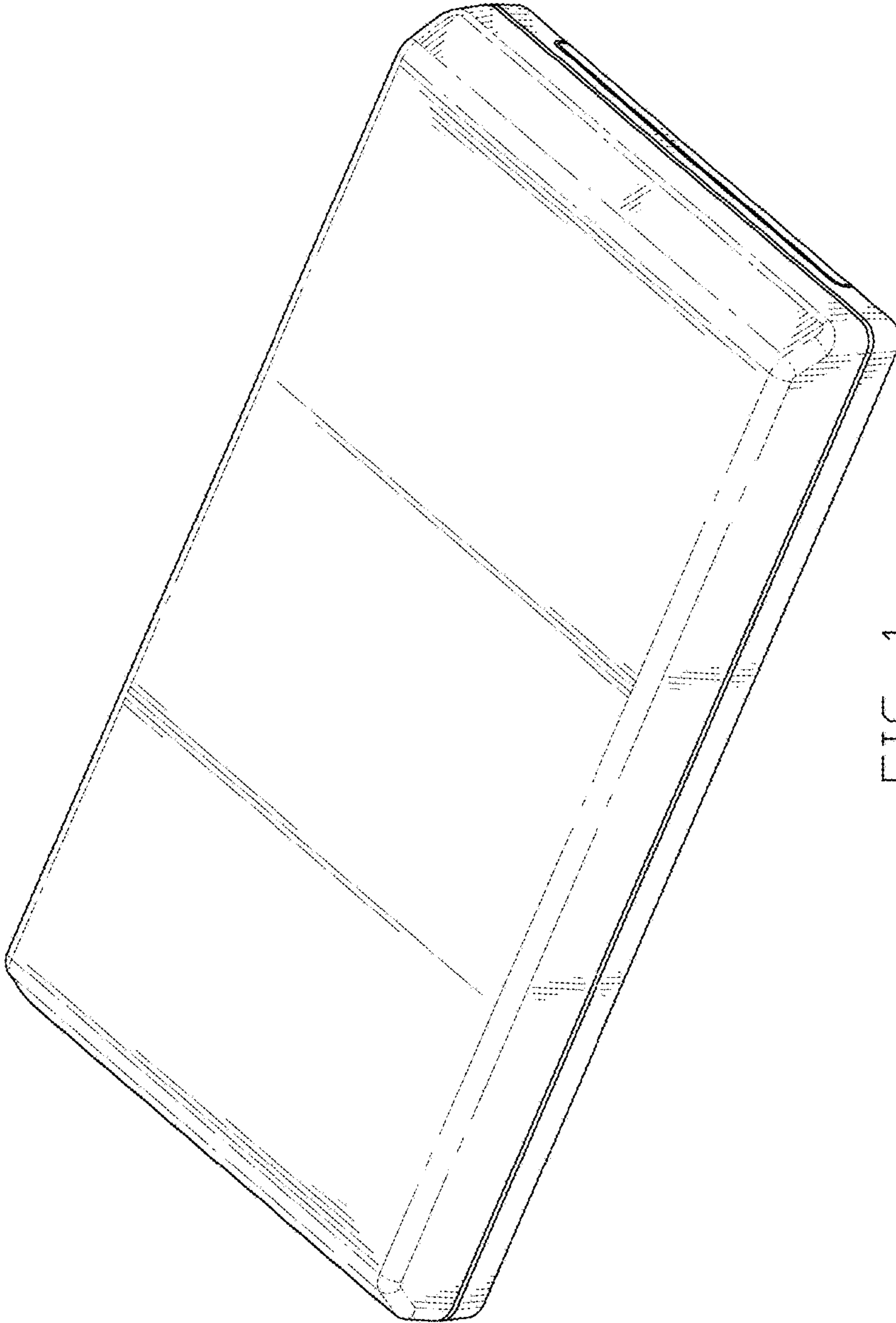


FIG. 1

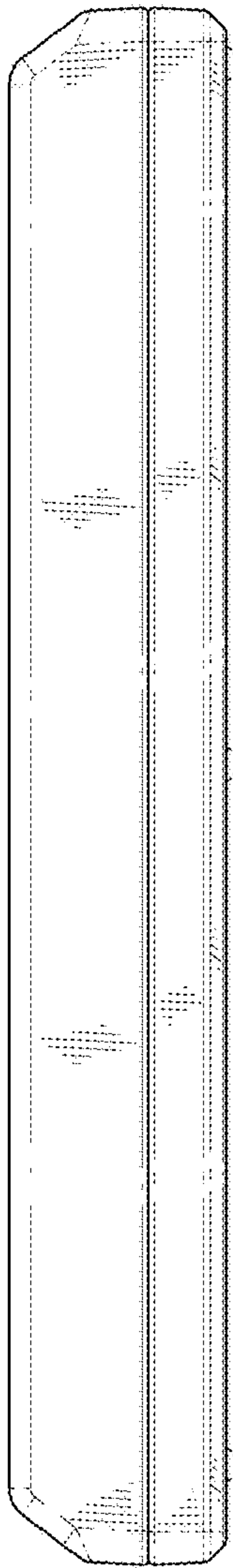


FIG. 2

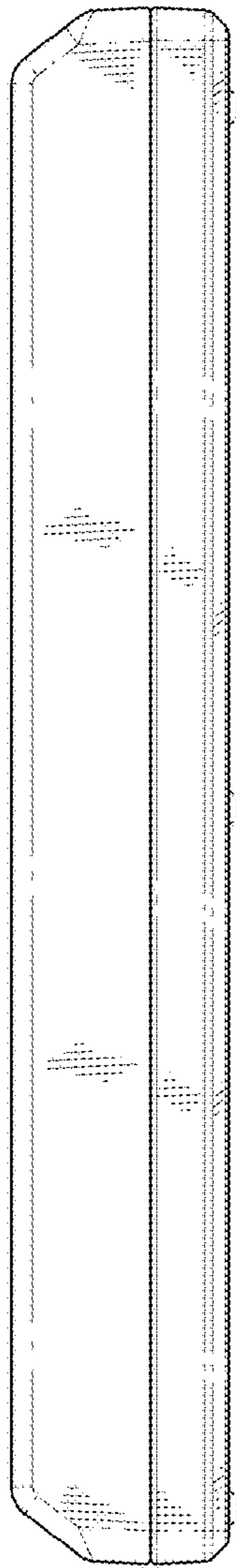


FIG. 3

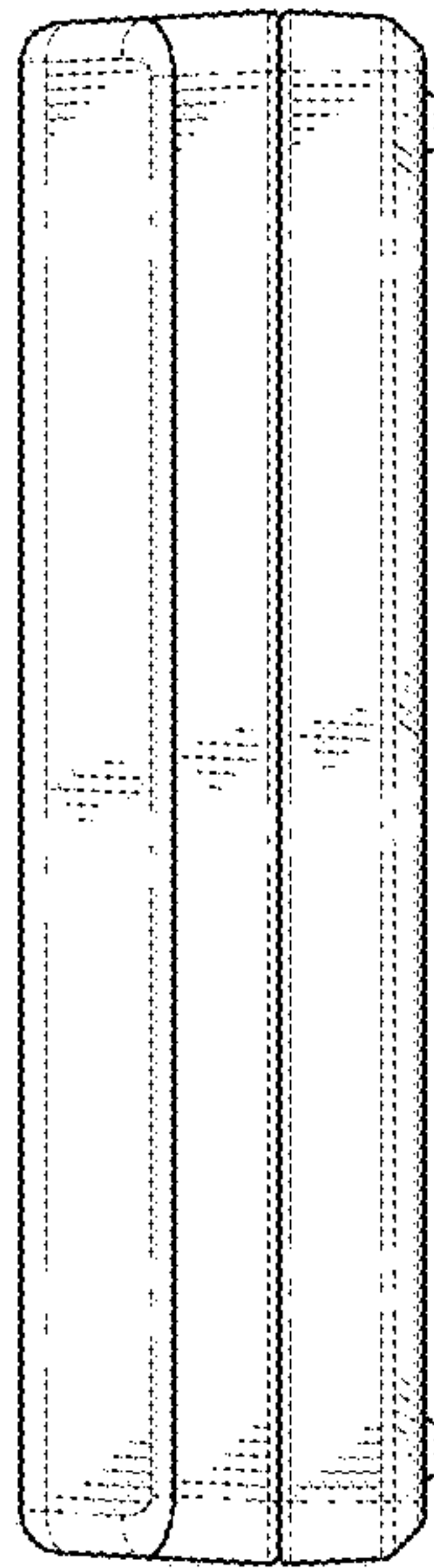


FIG. 4

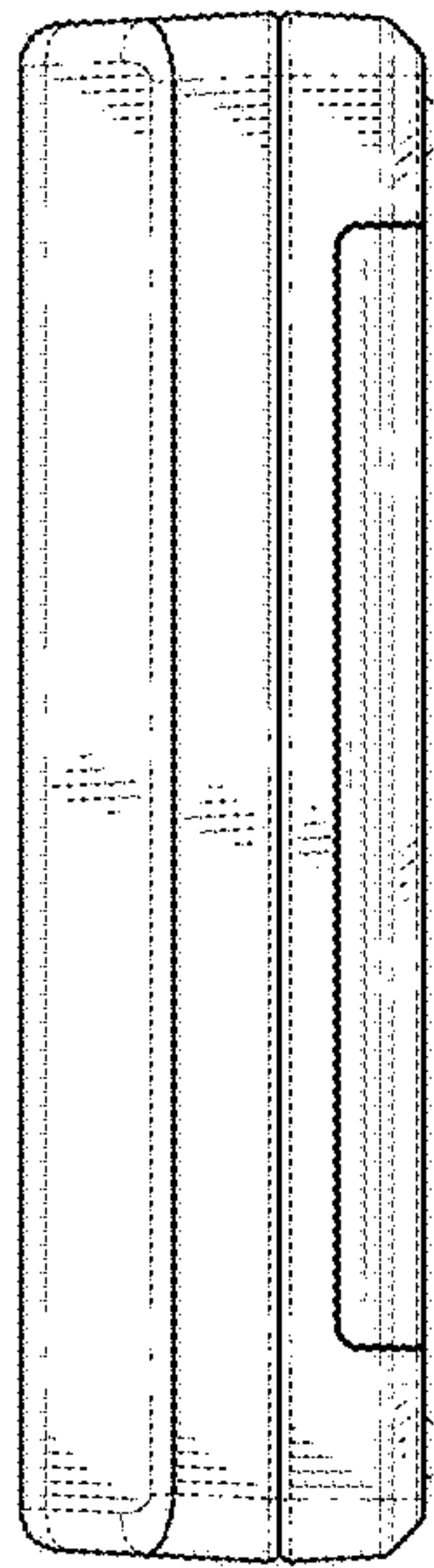


FIG. 5

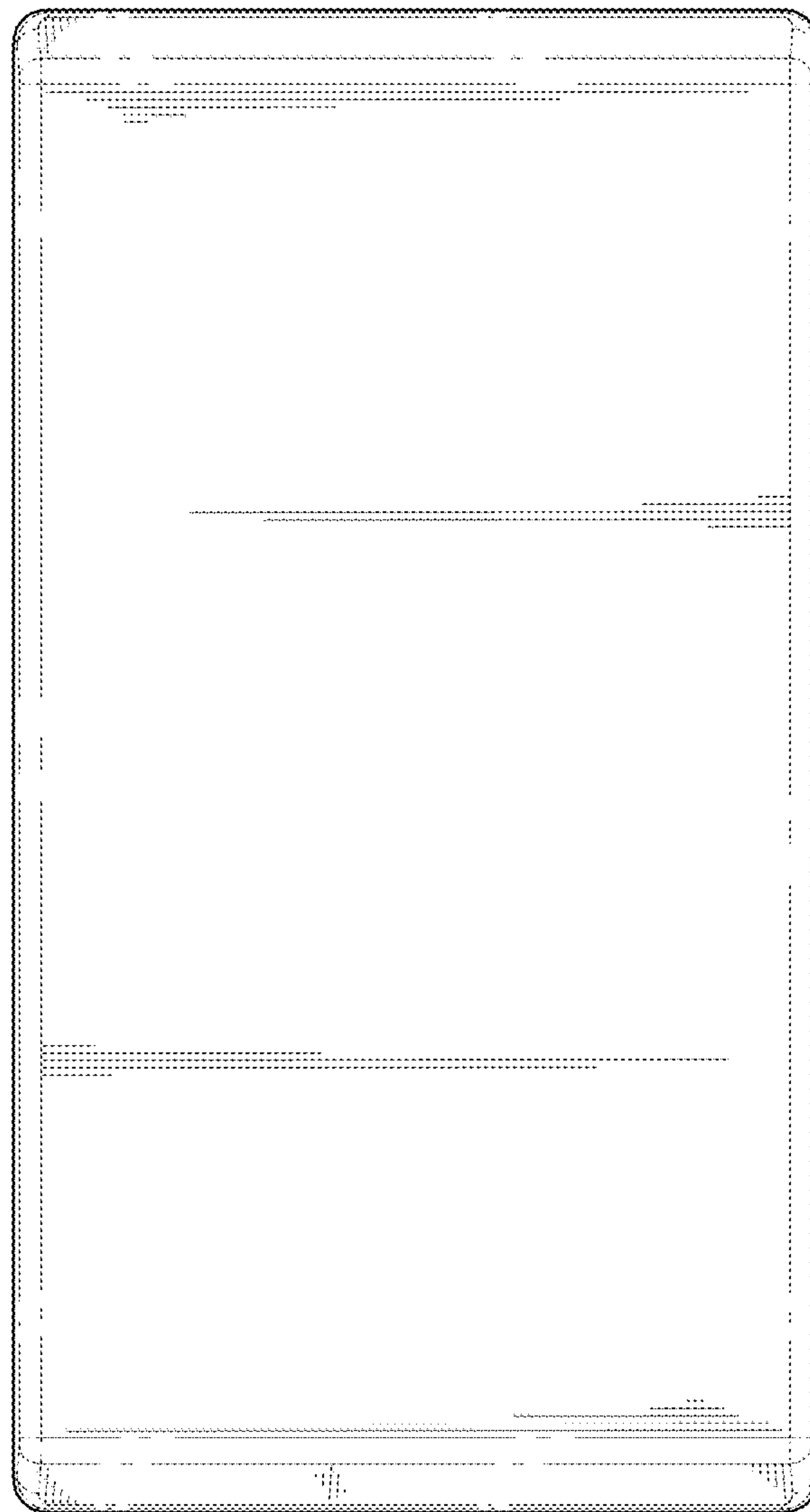


FIG. 6

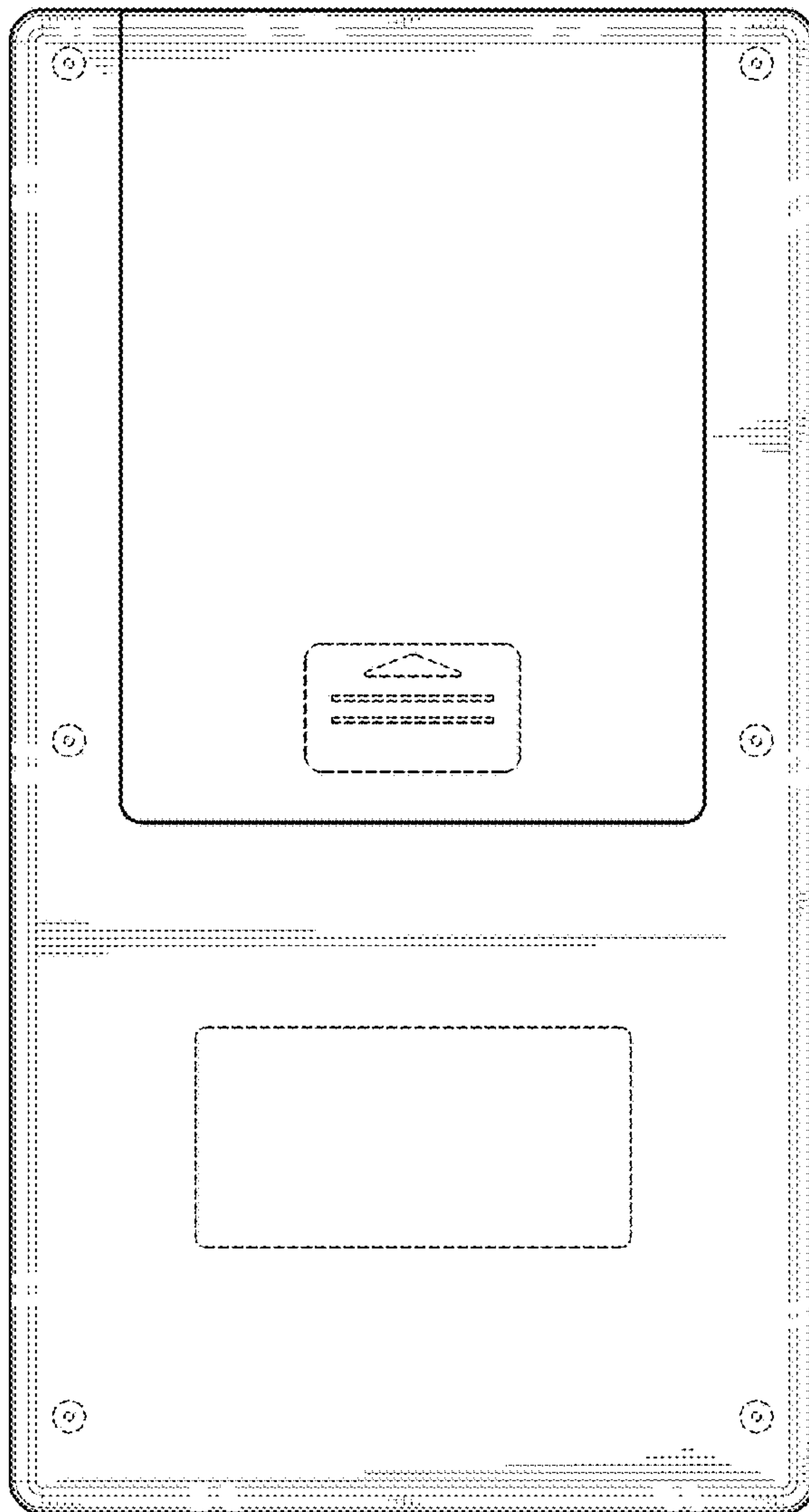


FIG. 7

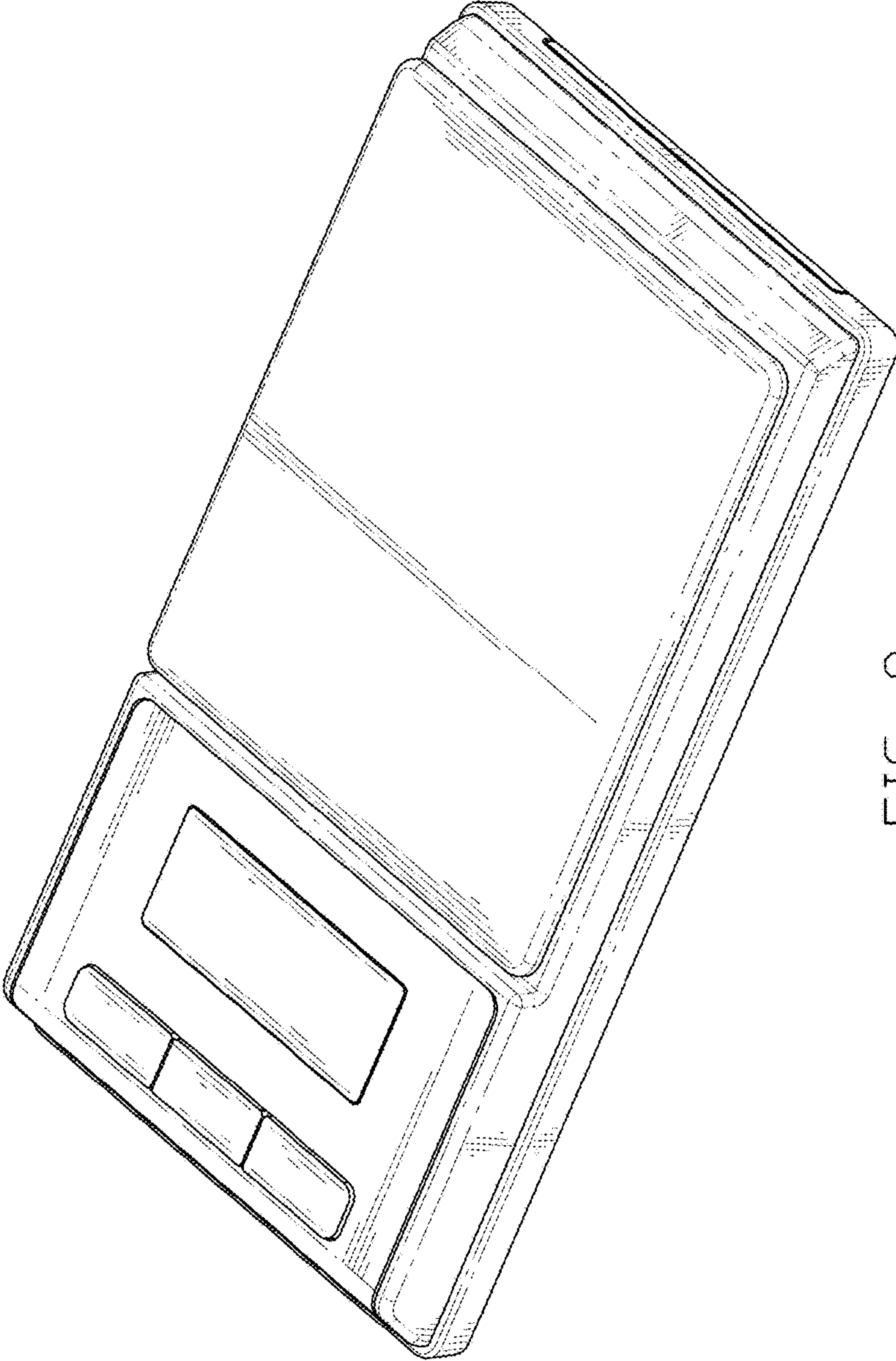


FIG. 8