



US00D850953S

(12) **United States Design Patent**
Boroško

(10) **Patent No.:** **US D850,953 S**
(45) **Date of Patent:** **** Jun. 11, 2019**

(54) **FIBER INSPECTION PROBE**

FOREIGN PATENT DOCUMENTS

(71) Applicant: **Fluke Corporation**, Everett, WA (US)

TW D147724 6/2012

(72) Inventor: **Justyna Boroško**, Vilnius (LT)

OTHER PUBLICATIONS

(73) Assignee: **Fluke Corporation**, Everett, WA (US)

Taiwanese Search Report, dated Aug. 28, 2017, for Taiwanese Design Patent Application No. 106300619, 4 pages (with partial English Translation).

(**) Term: **15 Years**

* cited by examiner

(21) Appl. No.: **29/643,136**

(22) Filed: **Apr. 4, 2018**

Primary Examiner — Antoine Duval Davis

(74) *Attorney, Agent, or Firm* — Seed Intellectual Property Law Group LLP

Related U.S. Application Data

(62) Division of application No. 29/574,634, filed on Aug. 17, 2016, now Pat. No. Des. 816,523.

(51) **LOC (11) Cl.** **10-04**

(52) **U.S. Cl.**
USPC **D10/78**

(58) **Field of Classification Search**

USPC D10/75, 78

CPC .. G01M 11/088; G01M 11/00; G01M 11/005;

G01M 11/08; G02B 6/385; G02B 6/3898;

G02B 6/25; G02B 6/3807; G02B 6/3866;

G02B 6/3885; G02B 6/3846; G02B

6/3863; G01B 11/2441; G01B 11/303;

G01N 21/8806; G01N 21/952

See application file for complete search history.

(57) **CLAIM**

The ornamental design for a fiber inspection probe, as shown and described.

DESCRIPTION

FIG. 1 is a top, front left perspective view of a fiber inspection probe showing my new design.

FIG. 2 is a bottom, rear right perspective view thereof.

FIG. 3 is a front elevational view thereof.

FIG. 4 is a top plan view thereof.

FIG. 5 is a left side elevational view thereof.

FIG. 6 is a rear elevational view thereof.

FIG. 7 is a right side elevational view thereof; and,

FIG. 8 is a bottom plan view thereof.

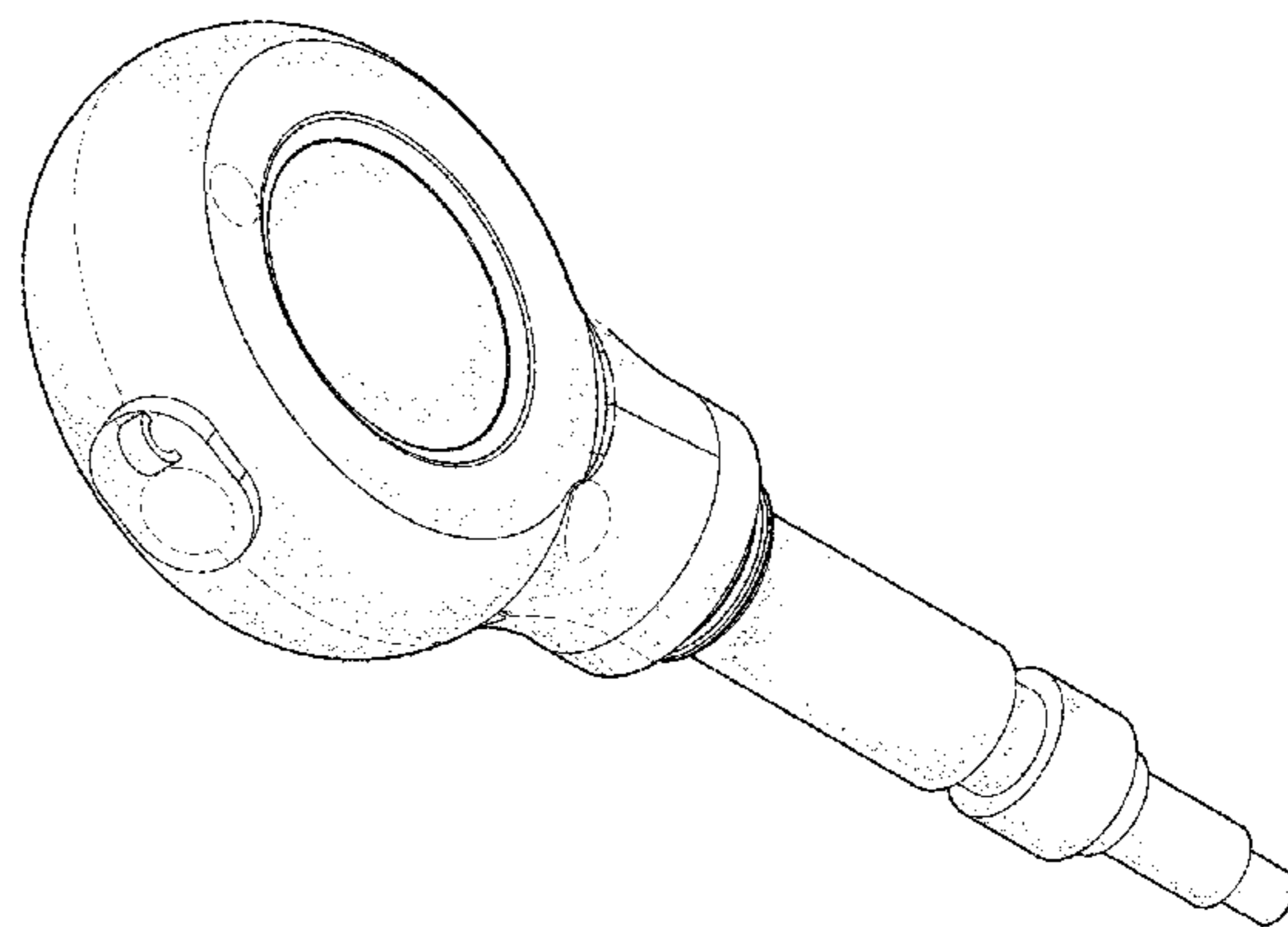
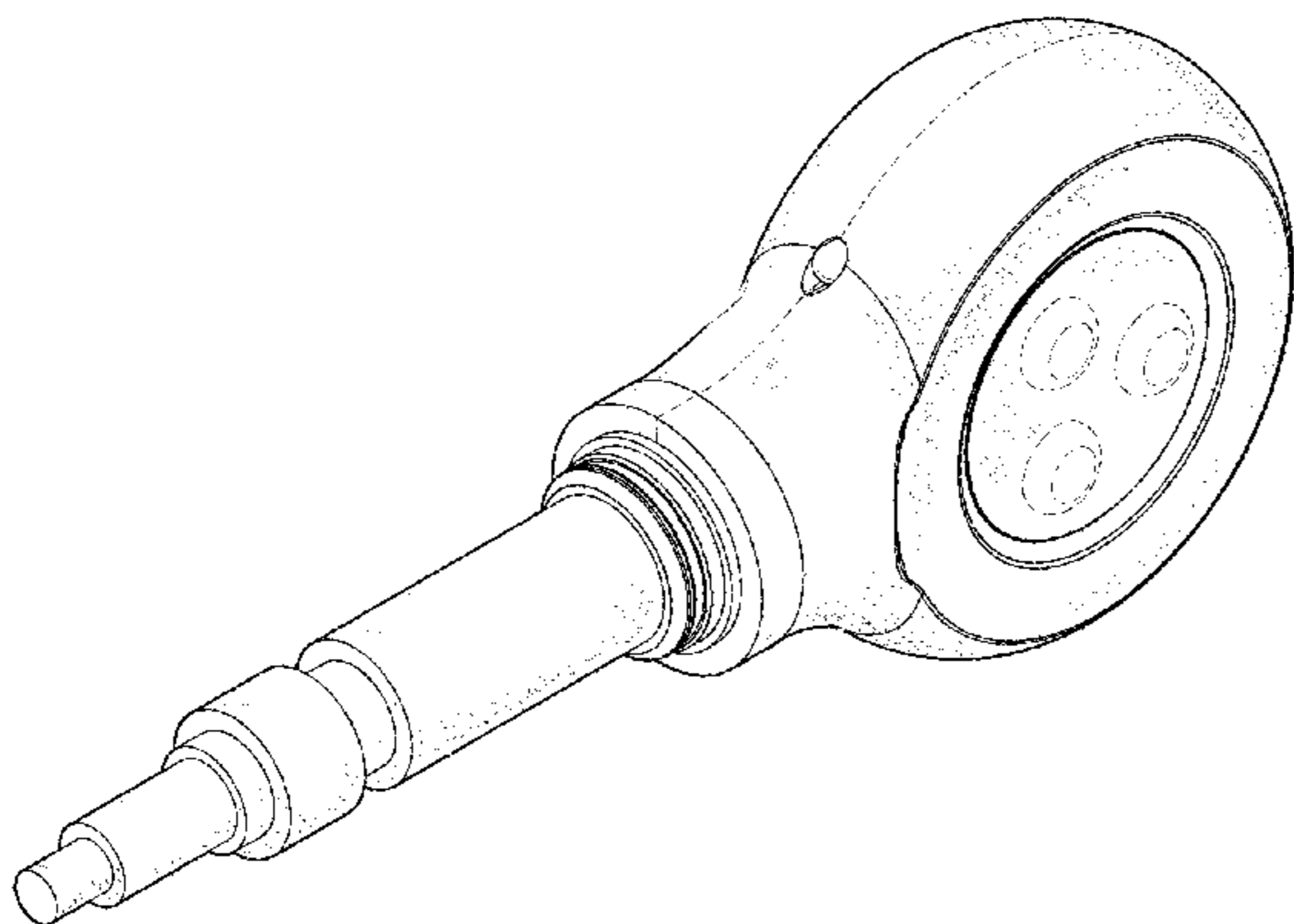
The broken lines are for the purpose of illustrating portions of the fiber inspection probe that form no part of the claimed design.

(56) **References Cited**

U.S. PATENT DOCUMENTS

7,212,719 B2 5/2007 Fujiwara et al.
D713,751 S 9/2014 Nadeau
D751,434 S 3/2016 Nadeau et al.
9,482,823 B1 11/2016 Li et al.
9,921,373 B2* 3/2018 Nadeau G01M 11/3154

1 Claim, 8 Drawing Sheets



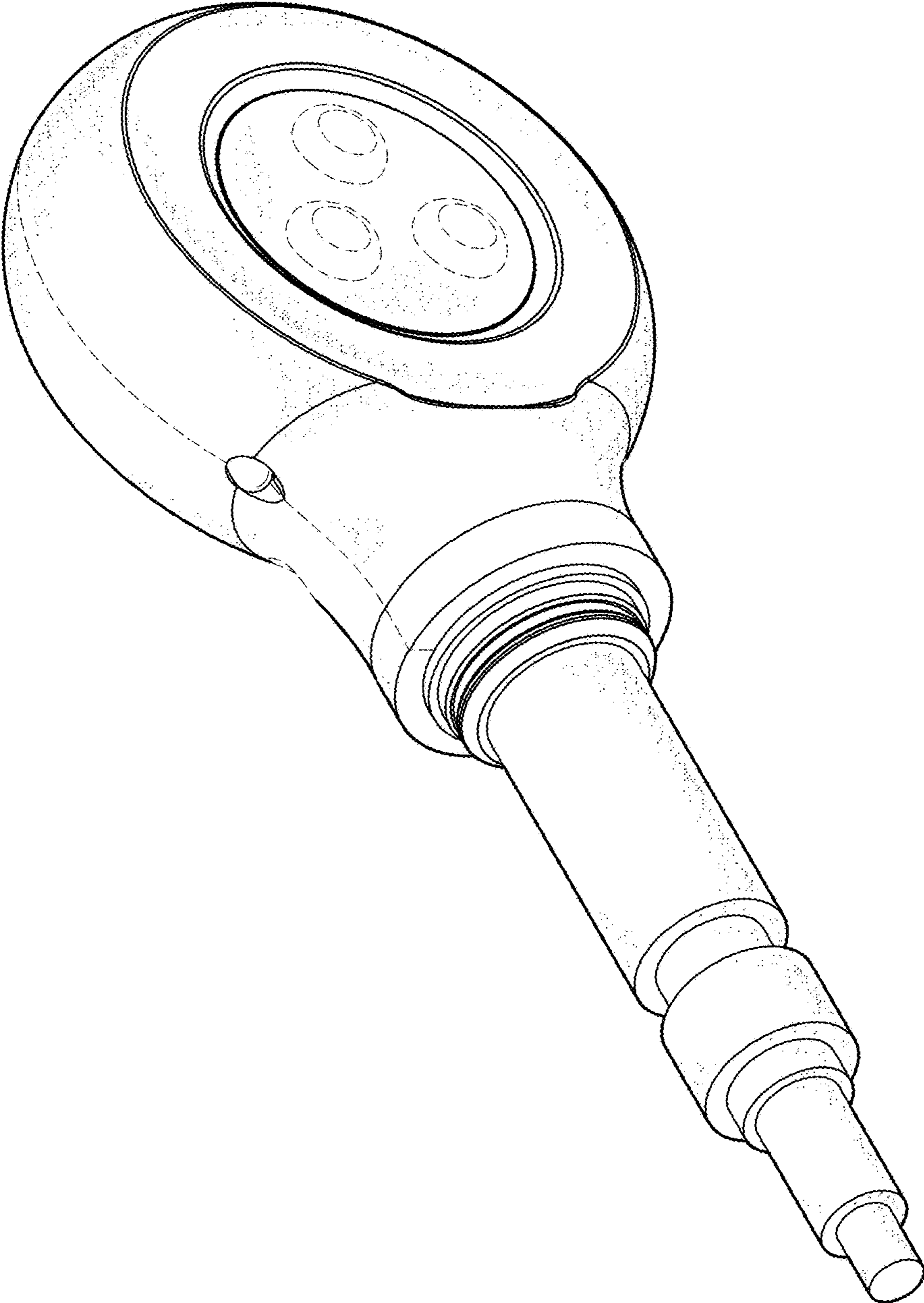


FIG. 1

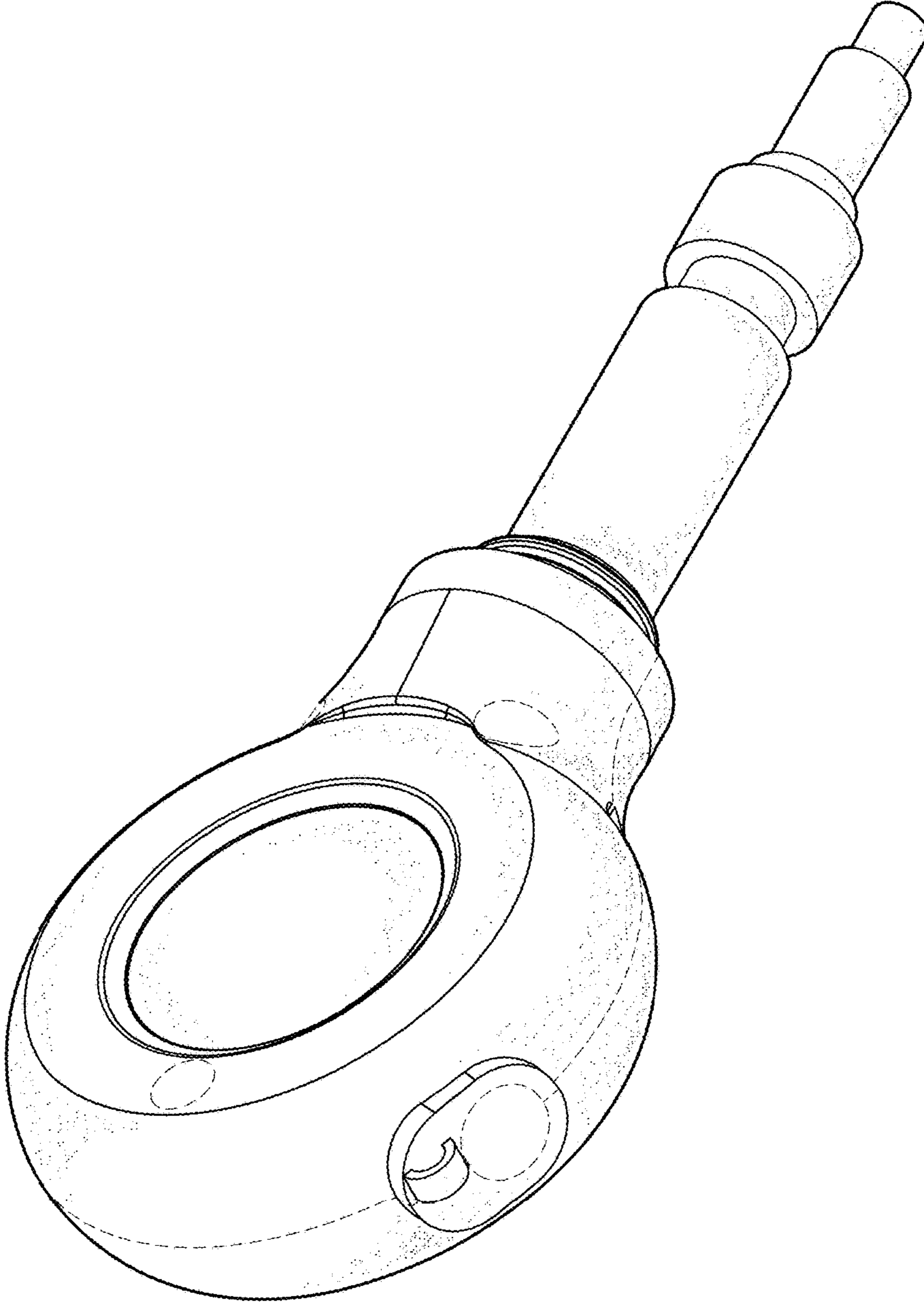


FIG. 2

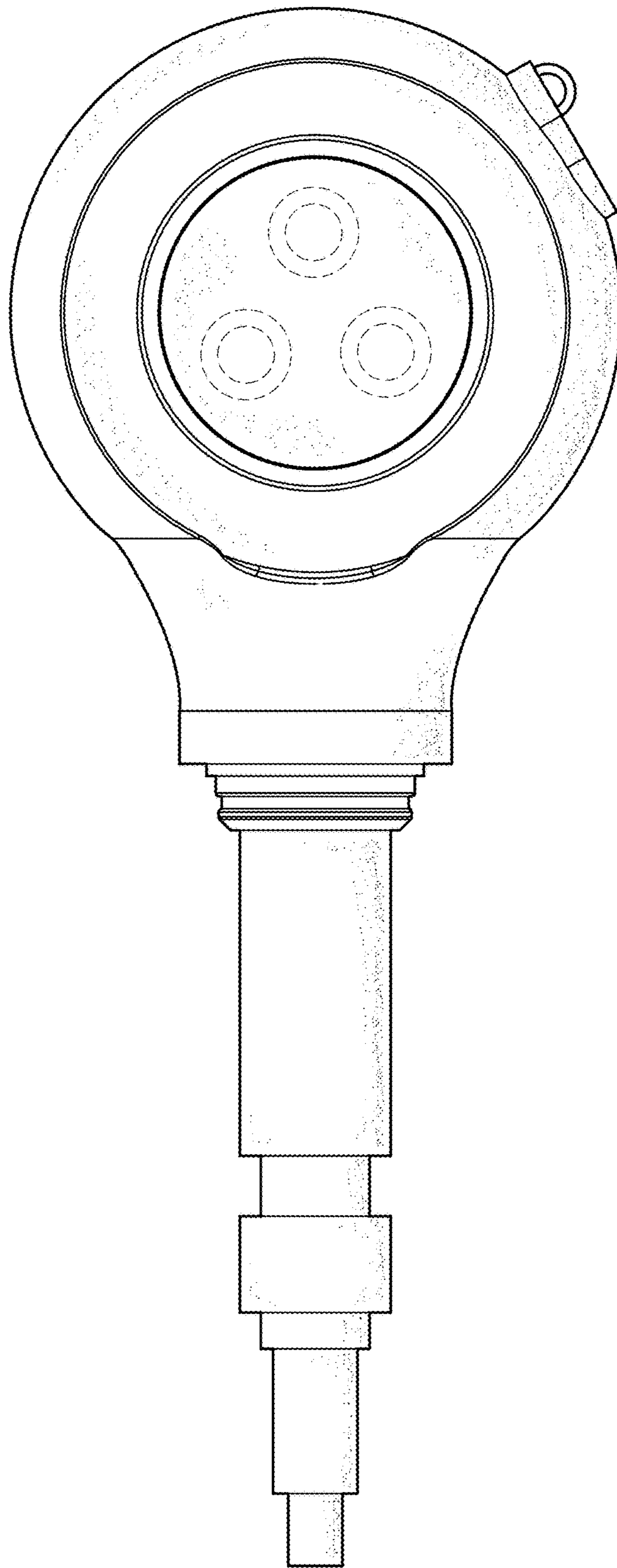


FIG. 3

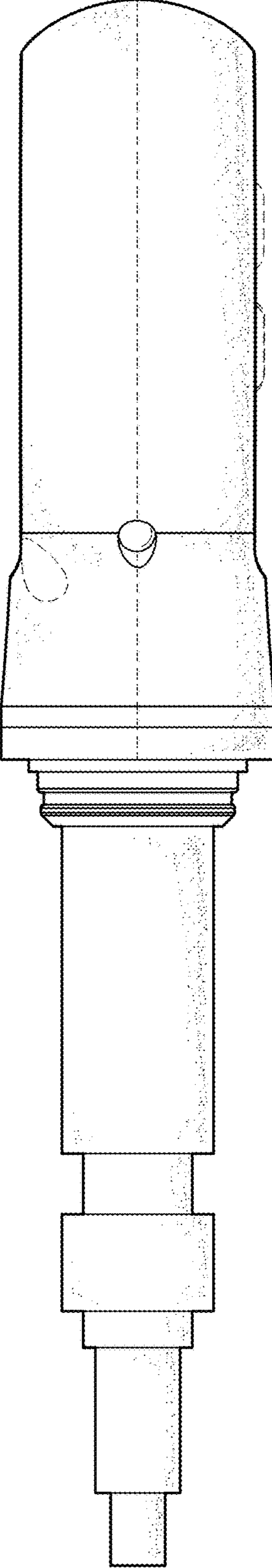


FIG. 4

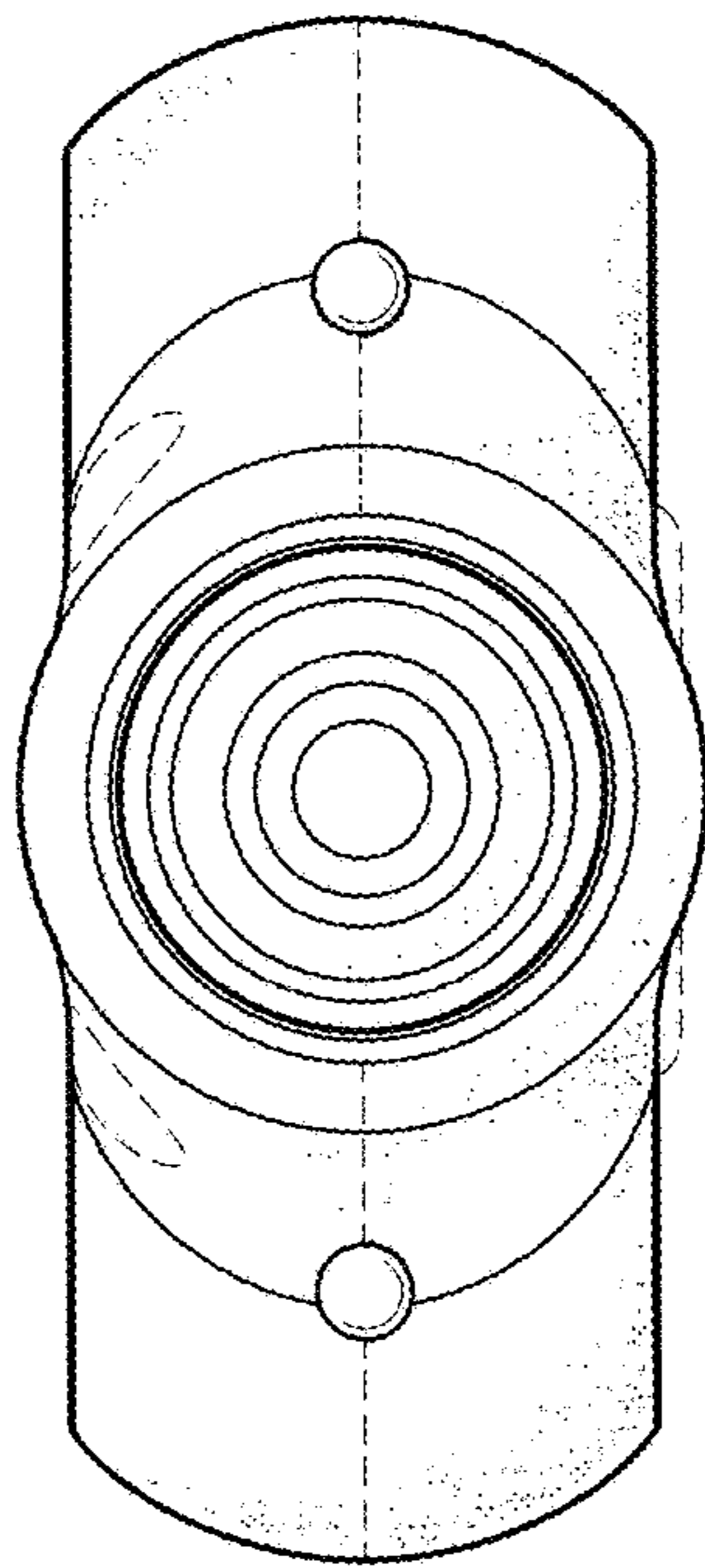


FIG. 5

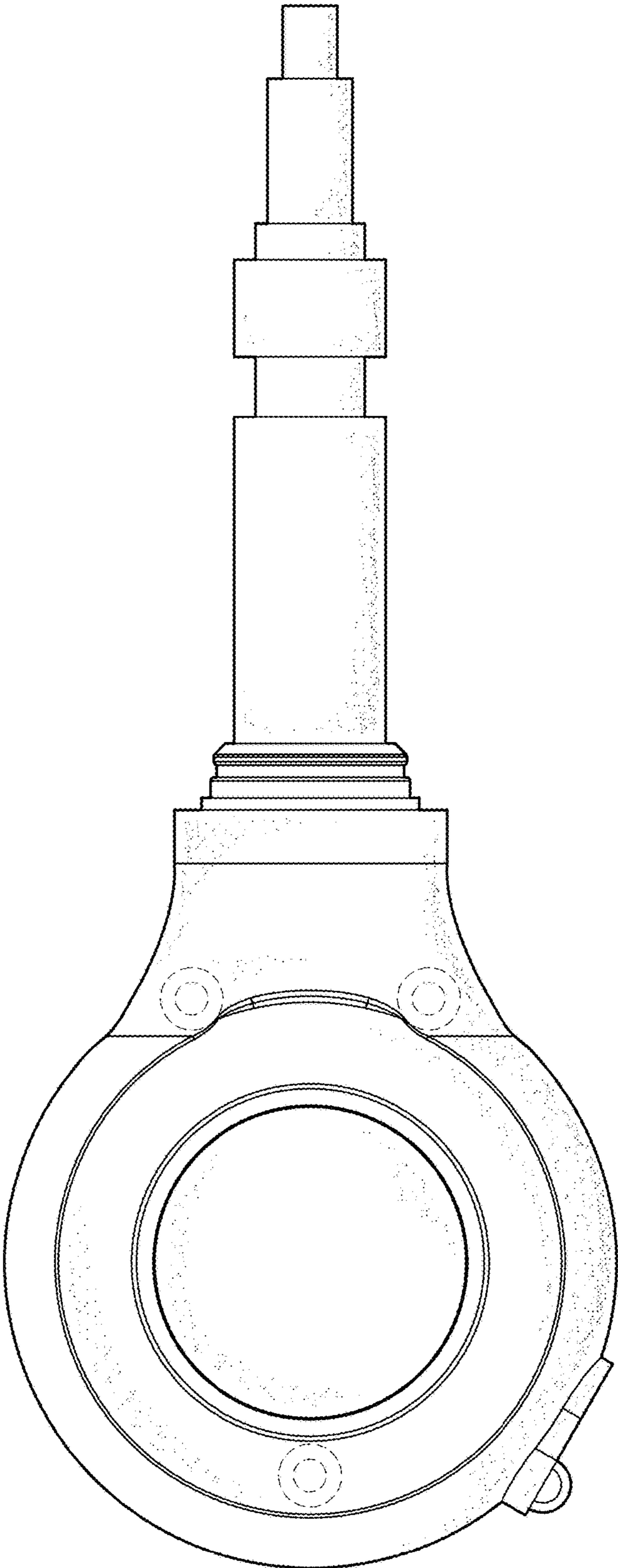


FIG. 6

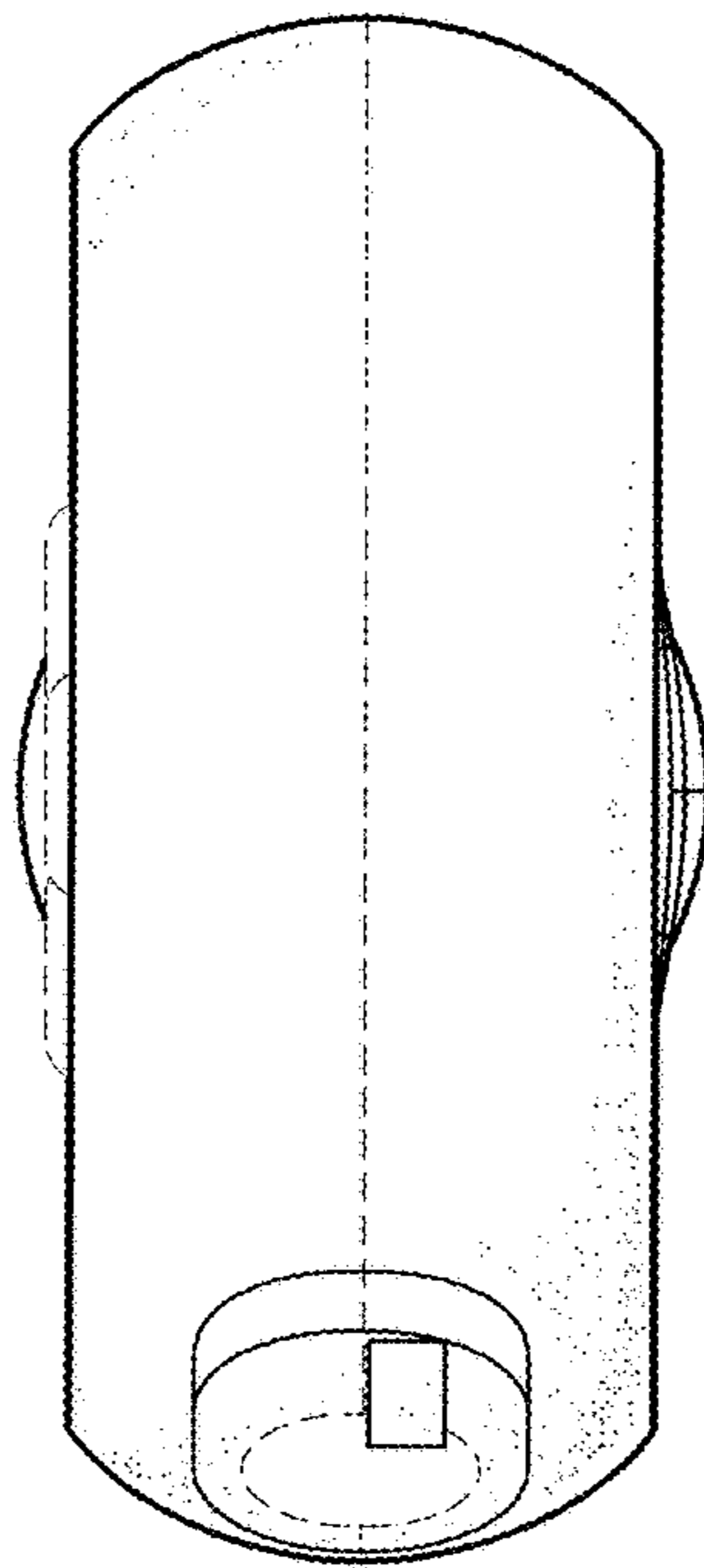


FIG. 7

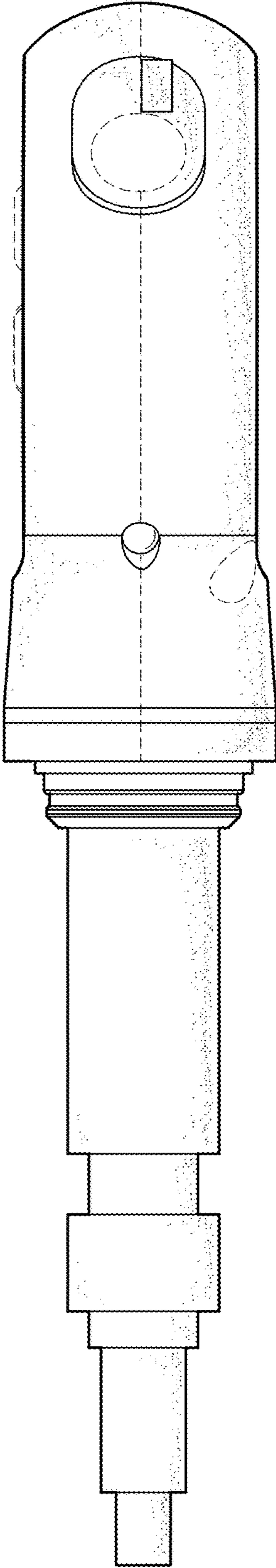


FIG. 8