



US00D850952S

(12) **United States Design Patent**  
**Tsukamaki et al.**

(10) **Patent No.:** **US D850,952 S**

(45) **Date of Patent:** **\*\* Jun. 11, 2019**

(54) **PORTABLE NETWORK CABLE AND NETWORK TROUBLESHOOTING TOOL**

(71) Applicant: **Fluke Corporation**, Everett, WA (US)

(72) Inventors: **Scott Tsukamaki**, Kirkland, WA (US);  
**Wayne S. Hoofnagle**, Kirkland, WA (US);  
**Tracy J. Kearsley**, Stanwood, WA (US)

(73) Assignee: **Fluke Corporation**, Everett, WA (US)

(\*\*) Term: **15 Years**

(21) Appl. No.: **29/638,755**

(22) Filed: **Feb. 28, 2018**

(51) **LOC (11) Cl.** ..... **10-04**

(52) **U.S. Cl.**  
USPC ..... **D10/78**

(58) **Field of Classification Search**  
USPC ..... D10/78  
CPC ..... H04N 7/17309; H04N 17/00; H04N 21/42676; H04N 21/44209; H04N 21/44245; H04N 21/6118; H04N 21/6168; H04N 21/6543; H04L 12/2697; H04L 43/50; H04L 29/12216; H04L 29/12273; H04L 29/12283; H04L 29/12301; H04L 61/2076; H04L 61/2015; H04L 61/2053; H04L 61/2061; H04Q 2213/1332; H04Q 2213/1316; H04Q 2213/13166; H04Q 2213/13003; H04M 3/308; H04M 3/244; H04M 1/24; H04M 3/306; H04M 3/32; H04M 3/46; H04M 3/26; H04M 3/2254; H04M 3/2263; H04M 1/72561; H04M 1/2535

See application file for complete search history.

(56) **References Cited**

U.S. PATENT DOCUMENTS

D714,171 S \* 9/2014 Hoofnagle ..... D10/78  
D821,235 S 6/2018 Howell et al.

\* cited by examiner

*Primary Examiner* — Antoine Duval Davis

(74) *Attorney, Agent, or Firm* — Seed Intellectual Property Law Group LLP

(57) **CLAIM**

The ornamental design for a portable network cable and network troubleshooting tool, as shown and described.

**DESCRIPTION**

FIG. 1 is a top, front right perspective view of a portable network cable and network troubleshooting tool showing our new design.

FIG. 2 is a bottom, rear left perspective view thereof.

FIG. 3 is a front elevation view thereof.

FIG. 4 is a right side elevation view thereof.

FIG. 5 is a left side elevation view thereof.

FIG. 6 is a top plan view thereof.

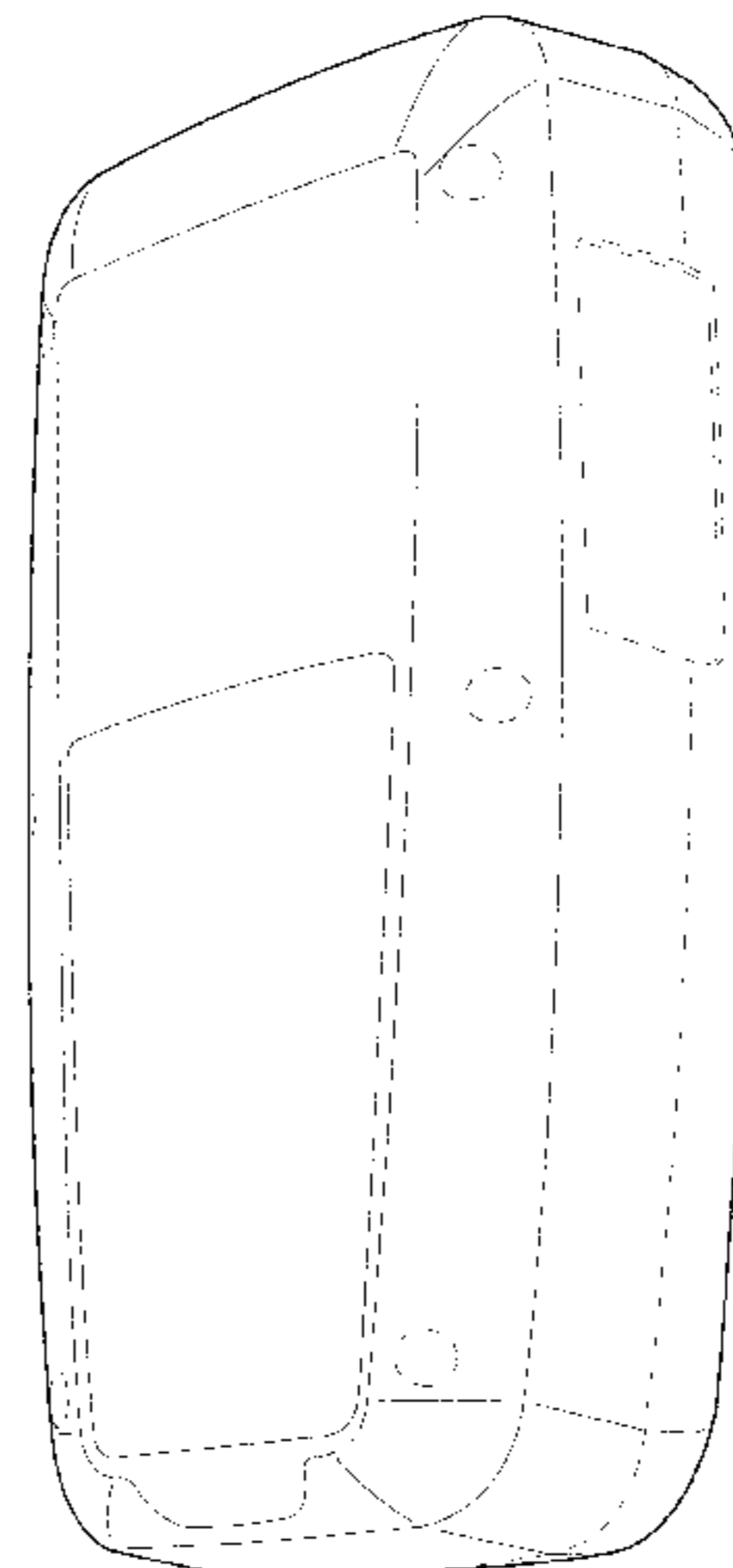
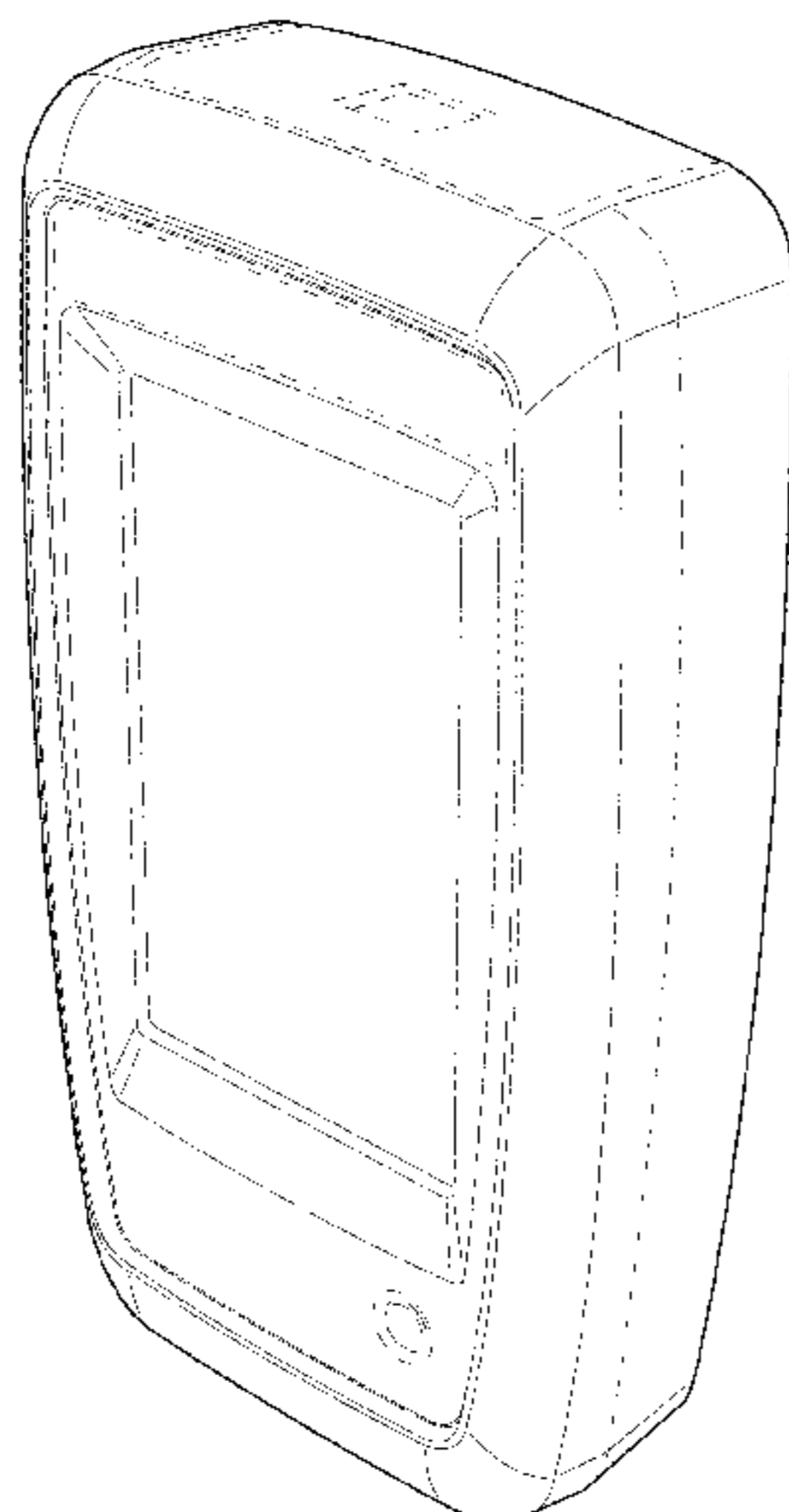
FIG. 7 is a bottom plan view thereof.

FIG. 8 is a rear elevation view thereof; and,

FIG. 9 is a top, rear right perspective view of the portable network cable and network troubleshooting tool of FIG. 1, with a stand shown in an extended position.

The broken lines in the figures illustrate environment and form no part of the claimed design.

**1 Claim, 7 Drawing Sheets**



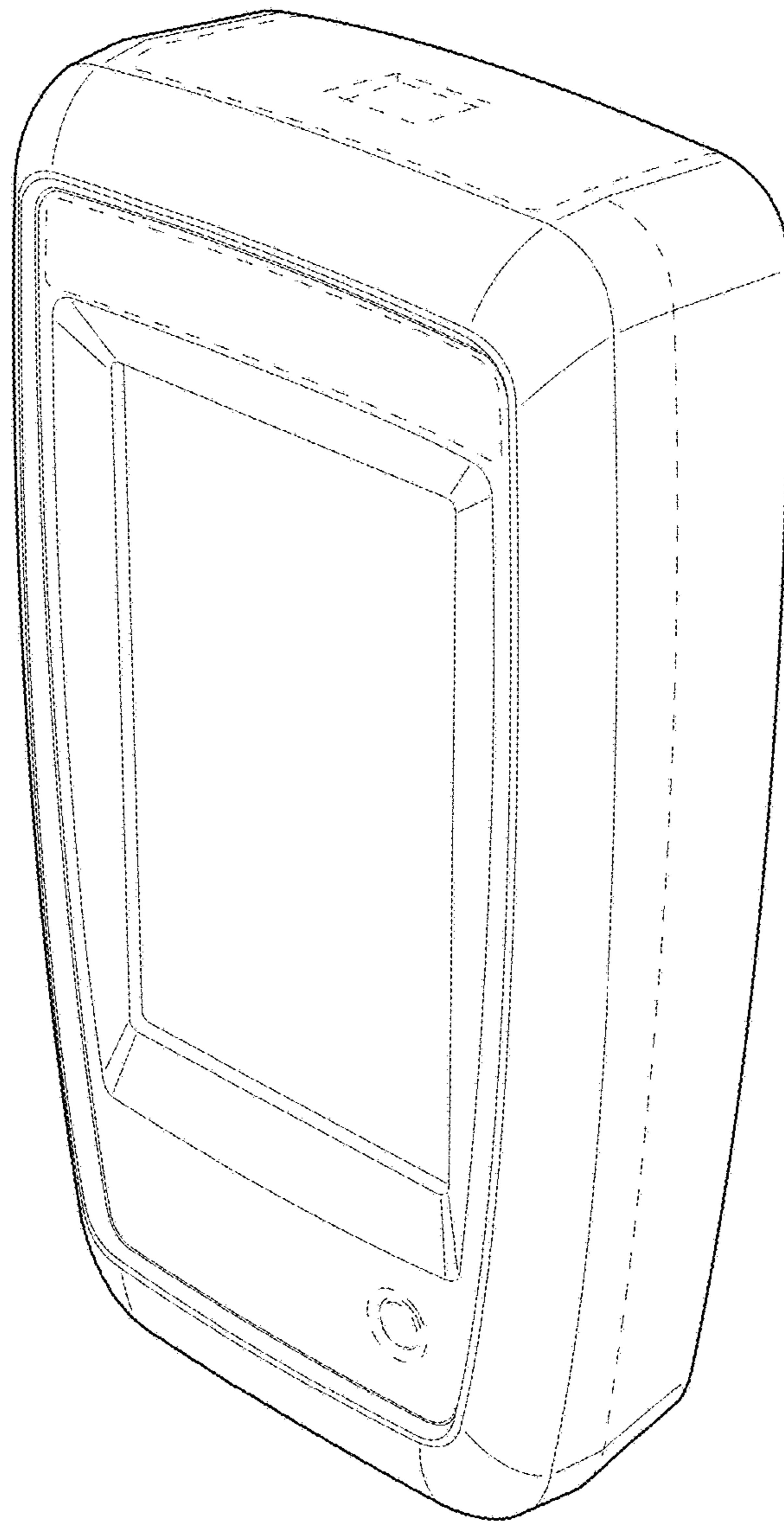


FIG. 1

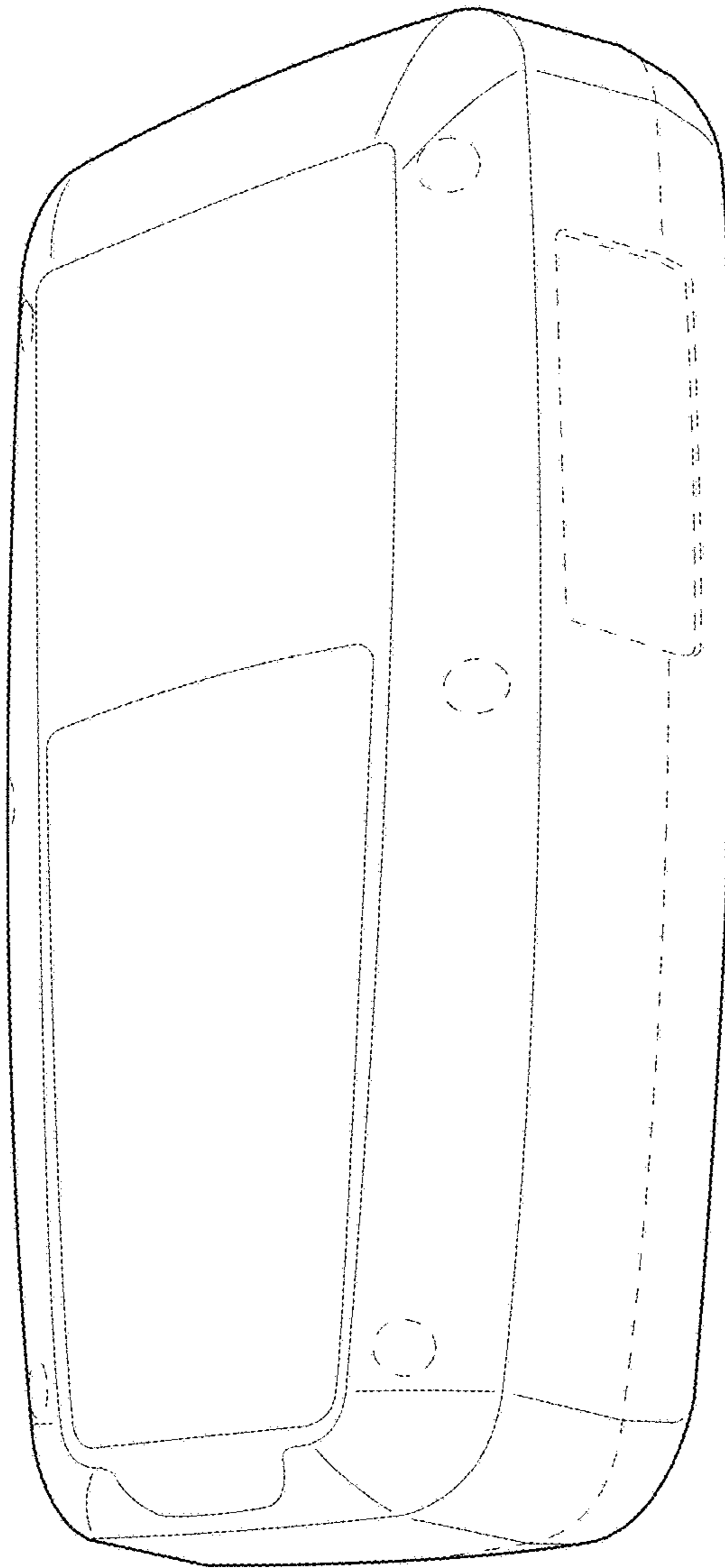


FIG. 2

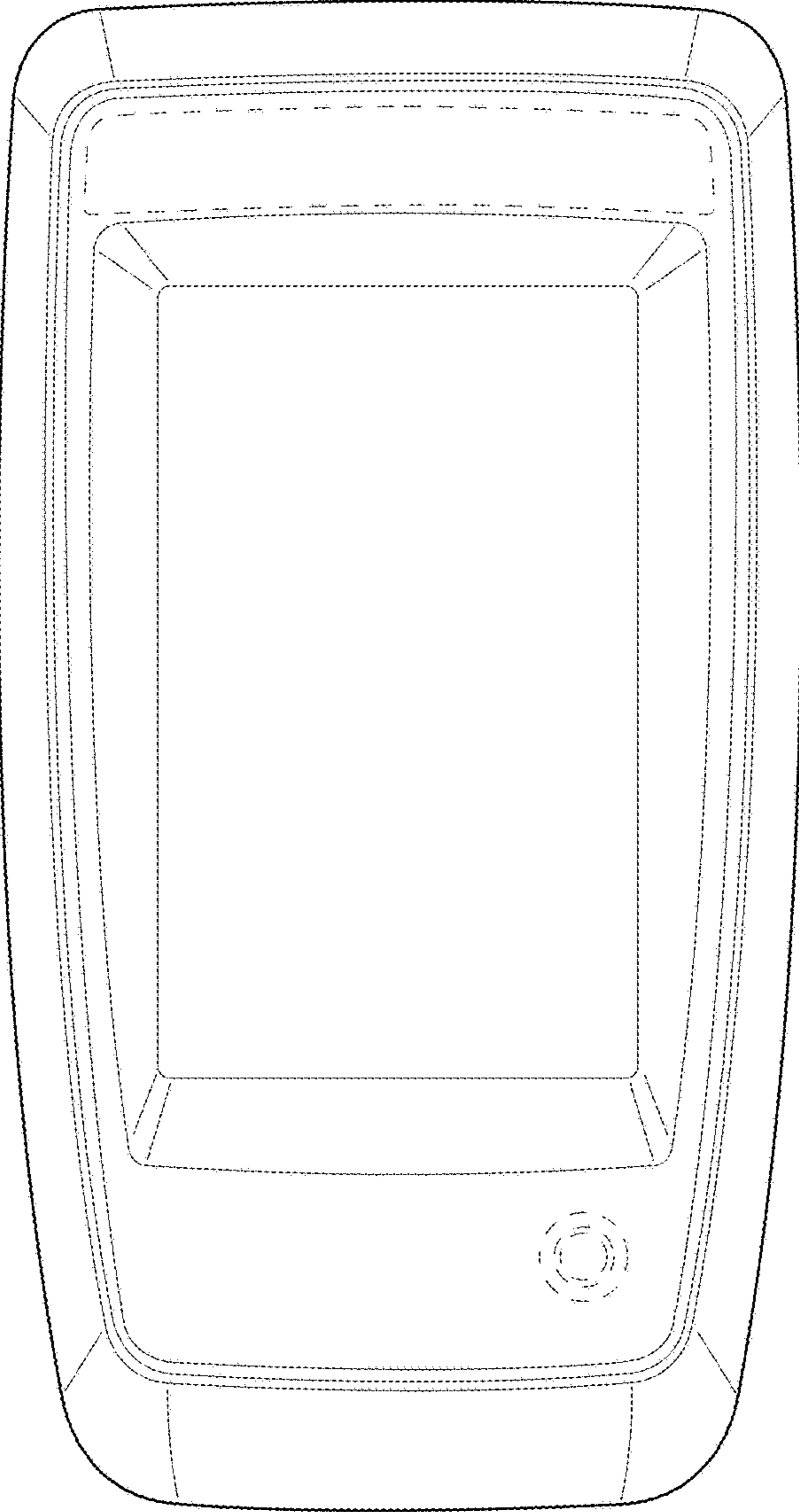


FIG. 3

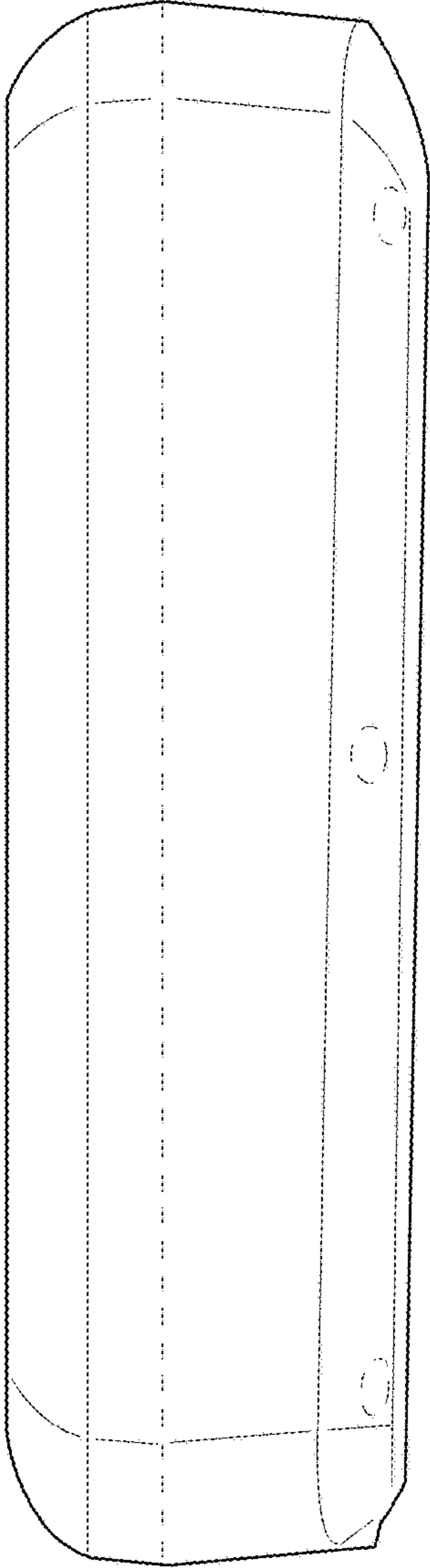


FIG. 4

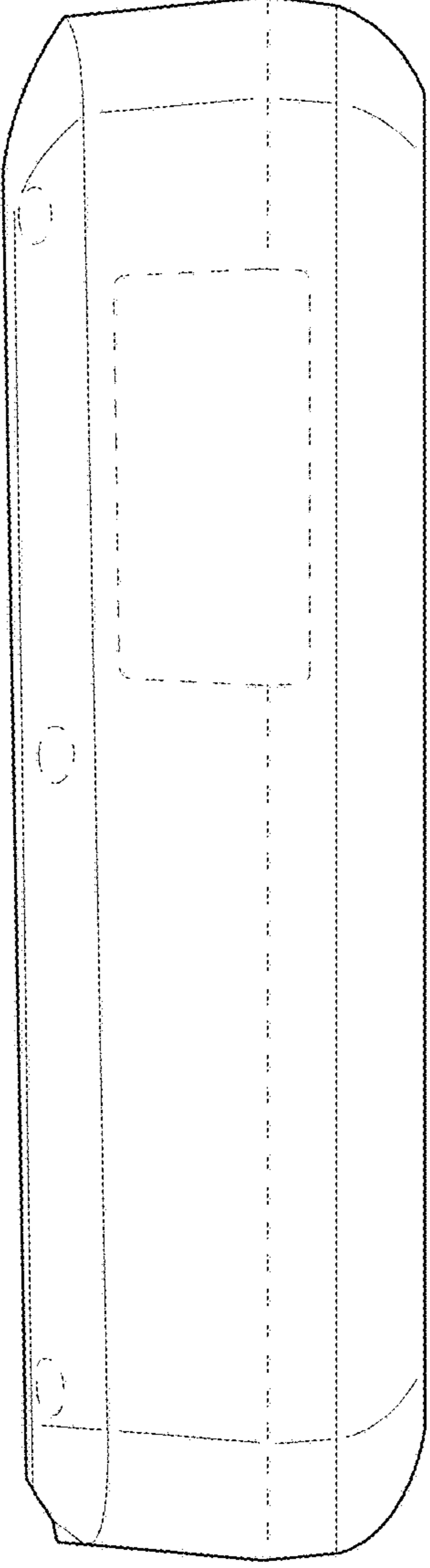


FIG. 5

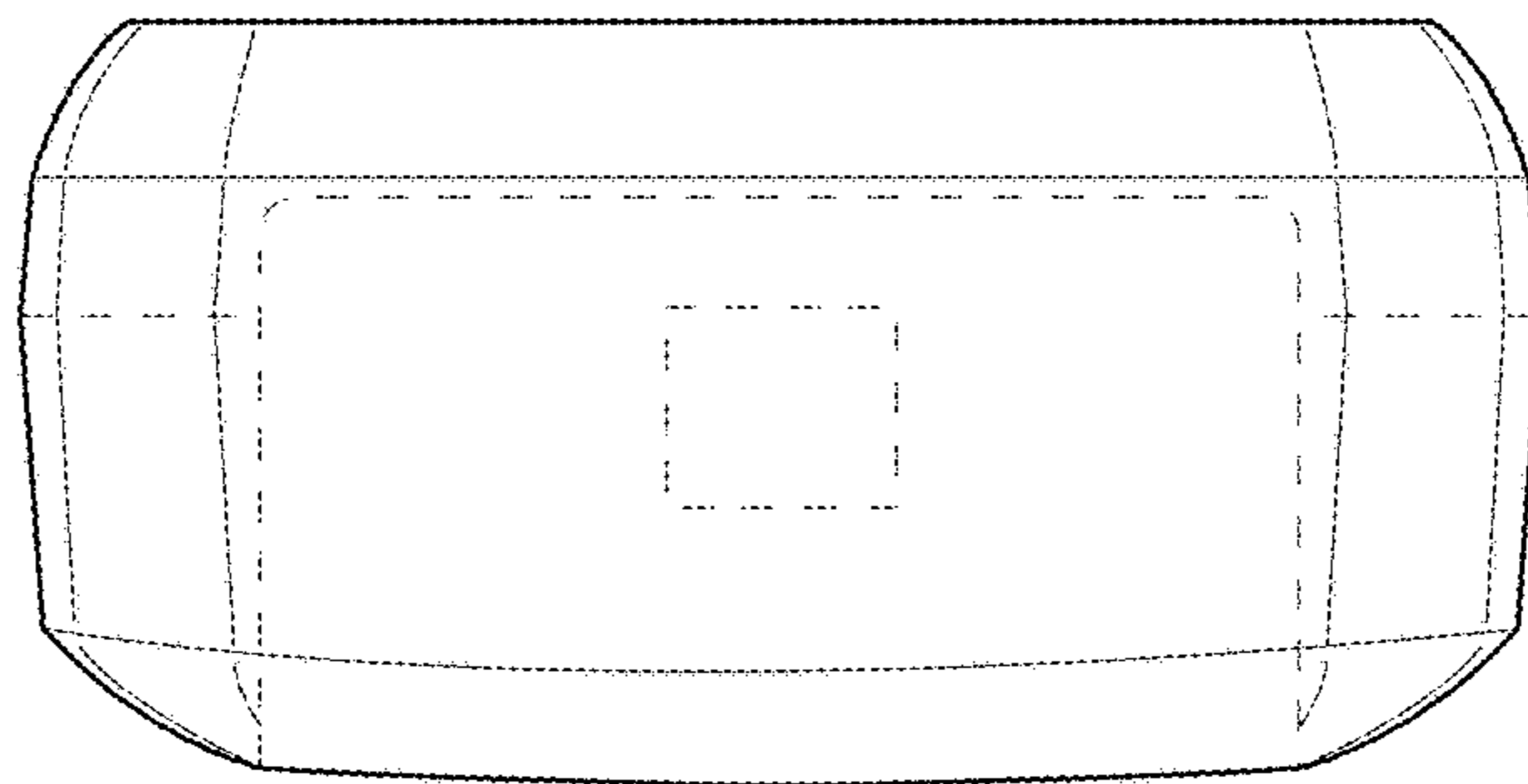


FIG. 6

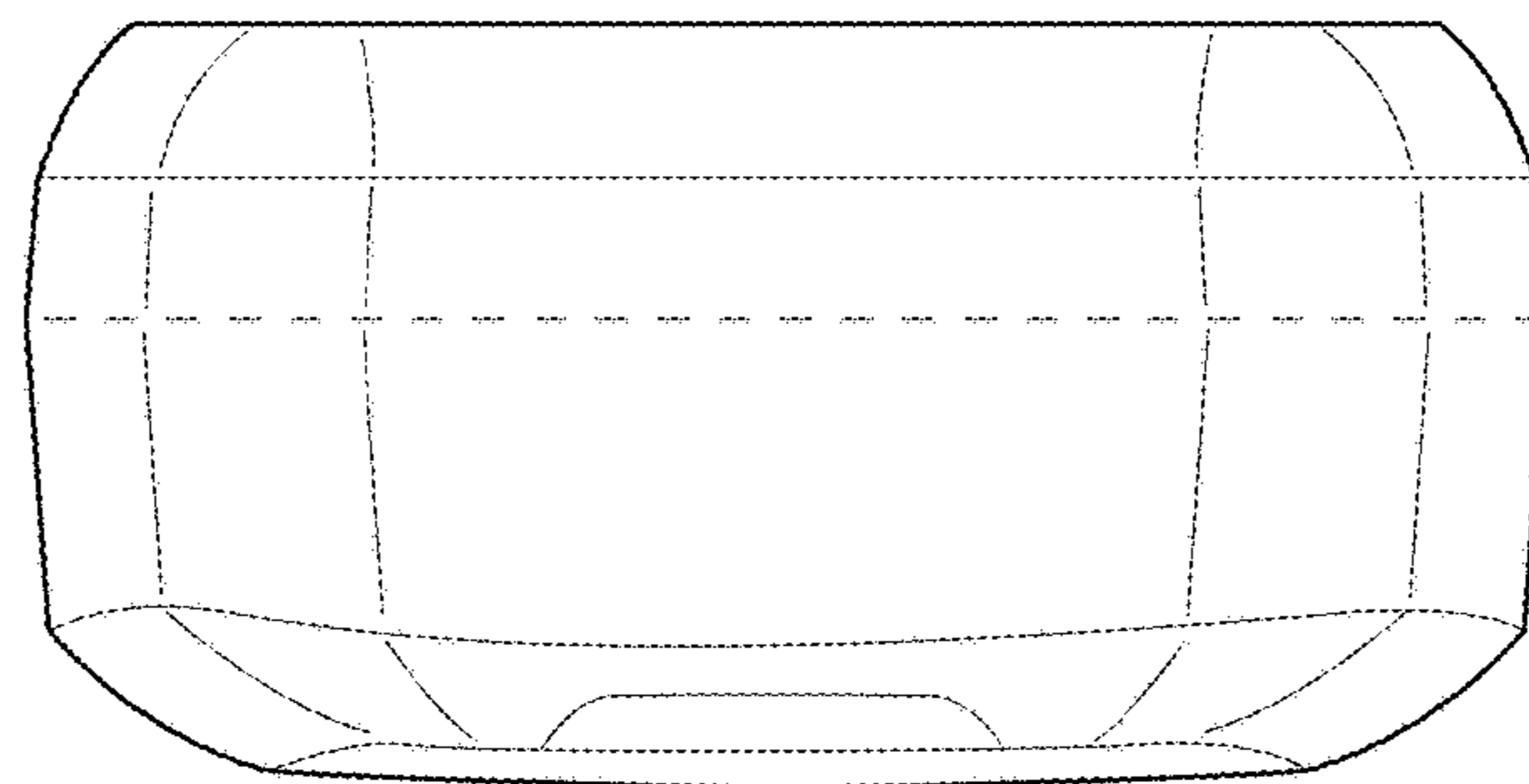


FIG. 7

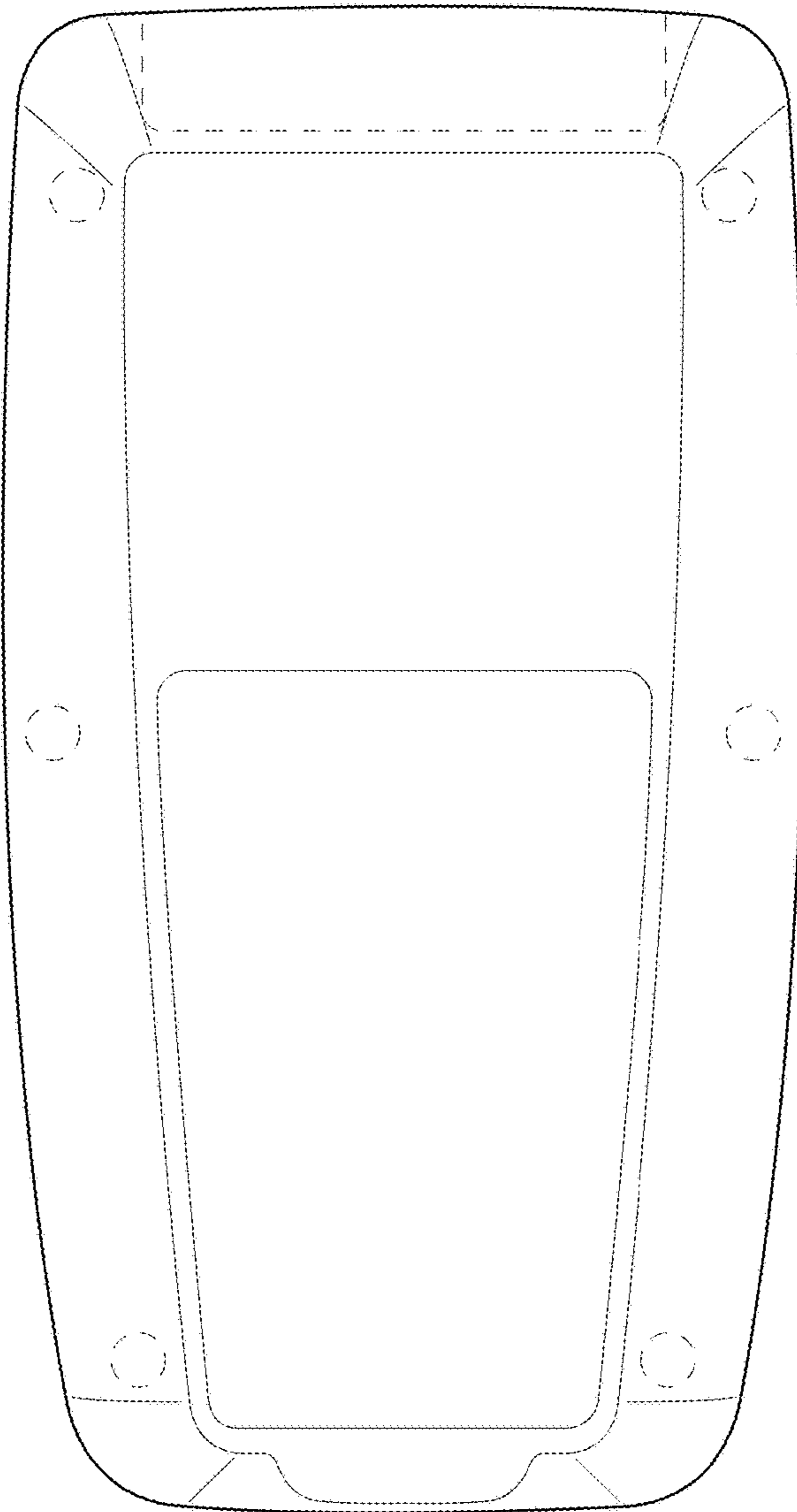


FIG. 8

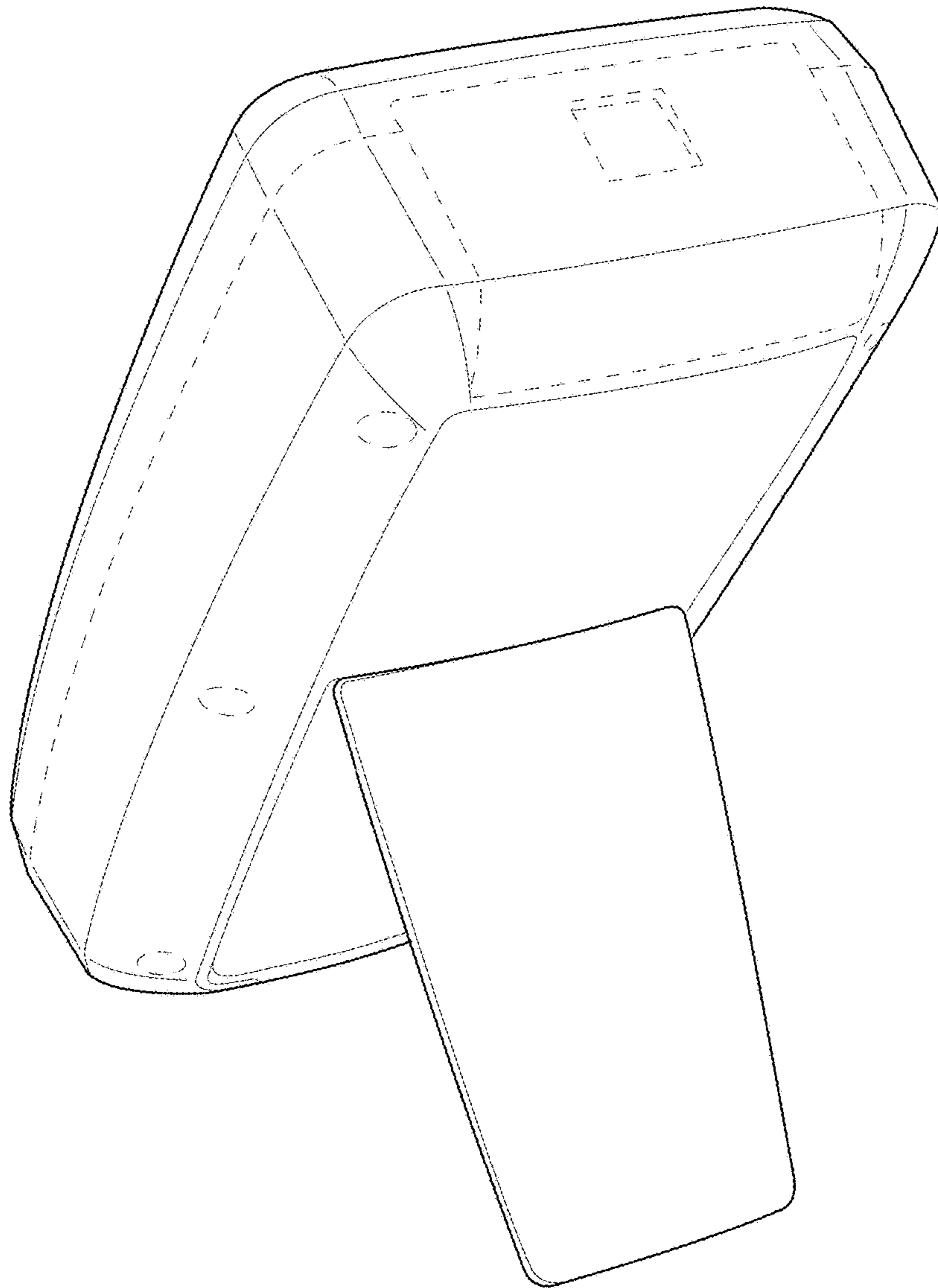


FIG. 9