



US00D850951S

(12) **United States Design Patent**
Zhao

(10) **Patent No.:** **US D850,951 S**
(45) **Date of Patent:** **** Jun. 11, 2019**

(54) **OPTICAL TIME DOMAIN REFLECTOMETER**

(71) Applicant: **INNO INSTRUMENT (CHINA) .INC, WeiHai (CN)**

(72) Inventor: **Yangri Zhao, WeiHai (CN)**

(73) Assignee: **INNO INSTRUMENT (CHINA) .INC, Weihai (CN)**

(**) Term: **15 Years**

(21) Appl. No.: **29/633,428**

(22) Filed: **Jan. 13, 2018**

(30) **Foreign Application Priority Data**

Aug. 4, 2017 (CN) 2017 3 0352324

(51) **LOC (11) Cl.** **10-04**

(52) **U.S. Cl.**
USPC **D10/78**

(58) **Field of Classification Search**

USPC D10/78; 356/73.1

CPC G01M 11/3172; G01M 11/3109; G01M

11/00; G01M 11/3118; G01M 11/319;

G01M 11/3127; G01M 11/3145; G01M

11/3154; G01M 11/3136; G01M 11/30;

G01M 11/31; G01M 11/31236; G01M

11/3163; G01M 11/3181; G01M 11/33;

G01M 11/331; G01M 11/332; G01M

11/333; G01M 11/334; G01M 11/335;

G01M 11/336; G01M 11/337; G01M

11/338; G01M 11/35; G01M 11/37;

G01M 11/39; G02B 6/2804; G02B 6/266;

G02B 6/2937; G02B 6/4215; G02B 6/32;

G02B 6/4202; G02B 6/2835; G02B

6/4457; G02B 6/3885; G02B 6/3895;

H04B 10/071; H04B 10/07; H04B

10/693; H04B 10/2507; H03F 3/082;

H03F 3/087; G01N 21/41; G01N 21/412;

G01N 21/4133; G01N 21/43; G01N

21/431; G01N 21/45; G01N 2021/4106;

G01N 2021/4113; G01N 2021/4126;
G01N 2021/414; G01N 2021/4146; G01N
2021/4153; G01N 2021/416; G01N
2021/4166; G01N 2021/4173; G01N
2021/418; G01N 2021/4186; G01N
2021/4193; G01N 2021/432; G01N
2021/433; G01N 2021/434; G01N
(Continued)

(56) **References Cited**

U.S. PATENT DOCUMENTS

6,813,012 B2 * 11/2004 Ziegler G02B 6/3807
356/73.1
7,373,069 B2 * 5/2008 Lazo G01M 11/30
385/134

(Continued)

Primary Examiner — Antoine Duval Davis

(74) *Attorney, Agent, or Firm* — Anova Law Group, PLLC

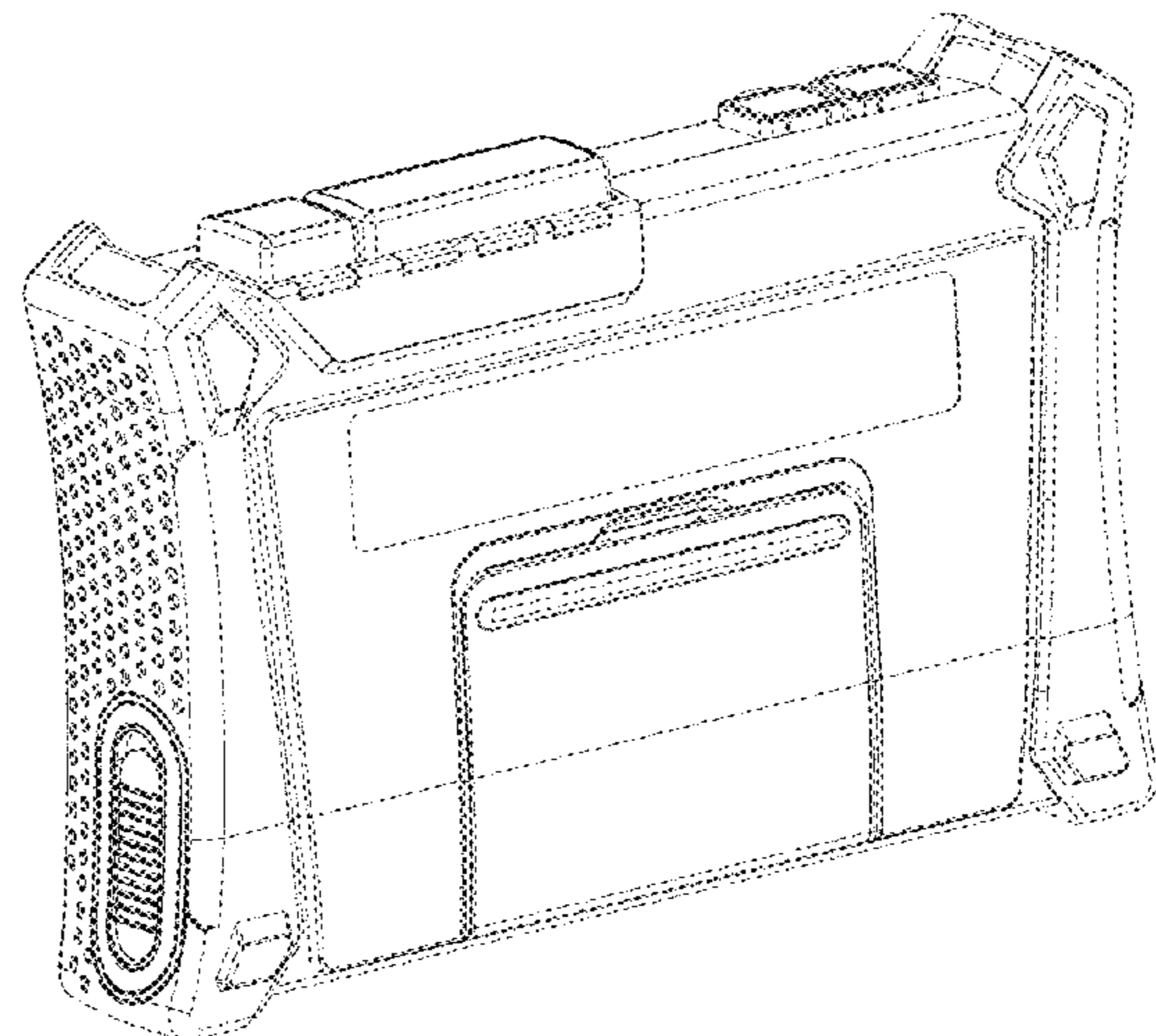
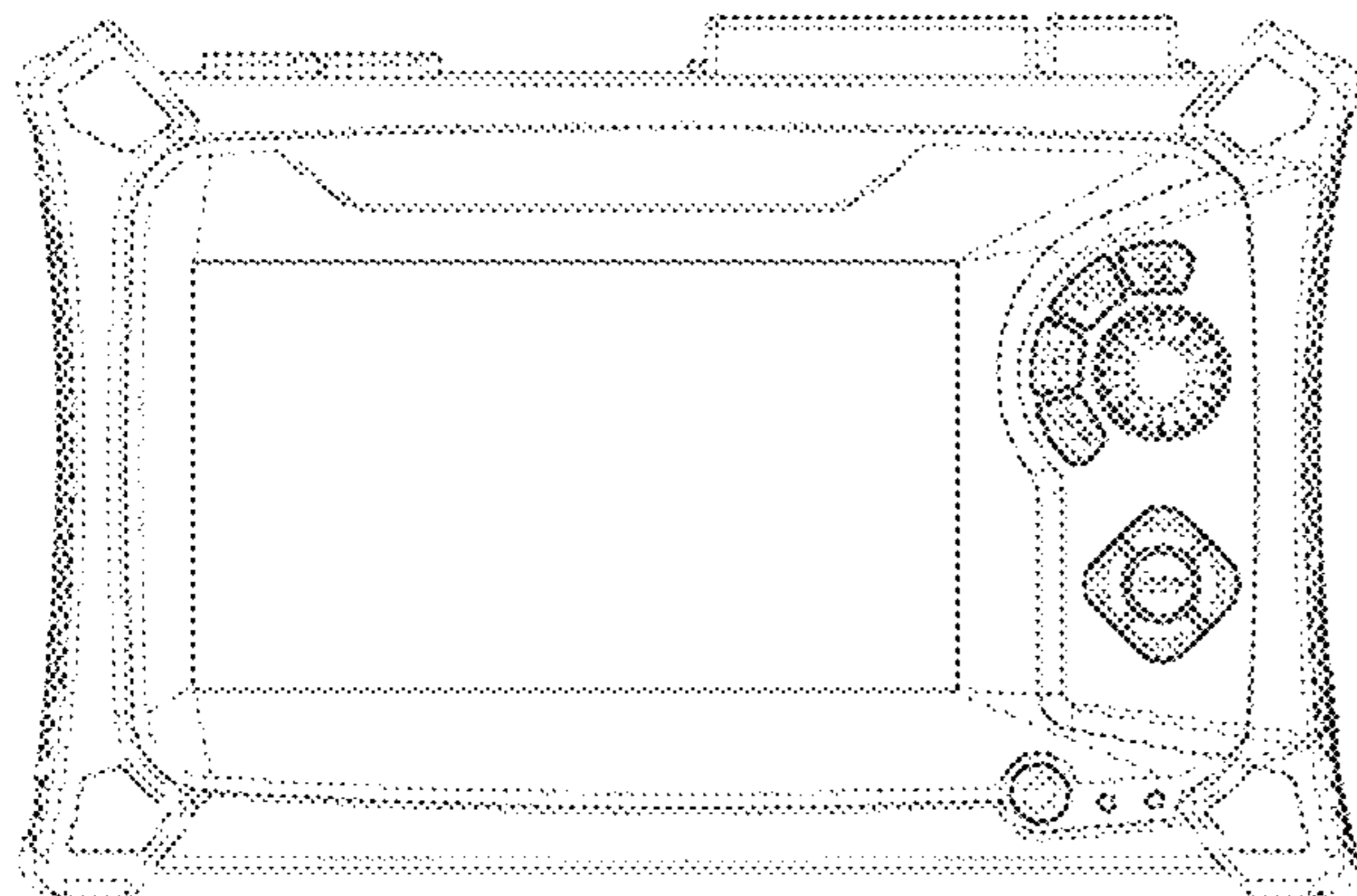
(57) **CLAIM**

The ornamental design for an optical time domain reflectometer, as shown and described.

DESCRIPTION

FIG. 1 is a front view of an optical time domain reflectometer, showing my new design;
FIG. 2 is a rear view thereof;
FIG. 3 is a left view thereof;
FIG. 4 is a right view thereof;
FIG. 5 is a top view thereof;
FIG. 6 is a bottom view thereof;
FIG. 7 is a front perspective view thereof; and,
FIG. 8 is a rear perspective view thereof.
The button names “MENU”, “ESC”, “AVG”, “REAL TIME”, and “Enter” depicted in FIG. 1 and FIG. 7 merely represent written matter surface ornamentation which does not form any part of the claimed design.

1 Claim, 6 Drawing Sheets



(58) **Field of Classification Search**

CPC . 2021/435; G01N 2021/436; G01N 2021/437;
G01N 2021/438; G01N 2021/451; G01N
2021/456; G01N 2021/458; G01D 5/268;
G01J 1/42

See application file for complete search history.

(56) **References Cited**

U.S. PATENT DOCUMENTS

7,876,334 B2 *	1/2011	Bychkov	G06T 11/60 345/620
D640,580 S *	6/2011	Bibeau	D10/78
8,520,201 B2 *	8/2013	Huang	G01M 11/088 250/227.24
8,976,334 B2 *	3/2015	Beckers	G03F 7/70341 355/53
D739,277 S *	9/2015	Martel	D10/78
D763,712 S *	8/2016	Recoura-Massaquant ...	D10/75
D763,713 S *	8/2016	Martel	D10/75
D786,107 S *	5/2017	Pileggi	D10/78
10,012,564 B2 *	7/2018	Irving	G01M 11/3154
D830,209 S *	10/2018	Wang	D10/78

* cited by examiner

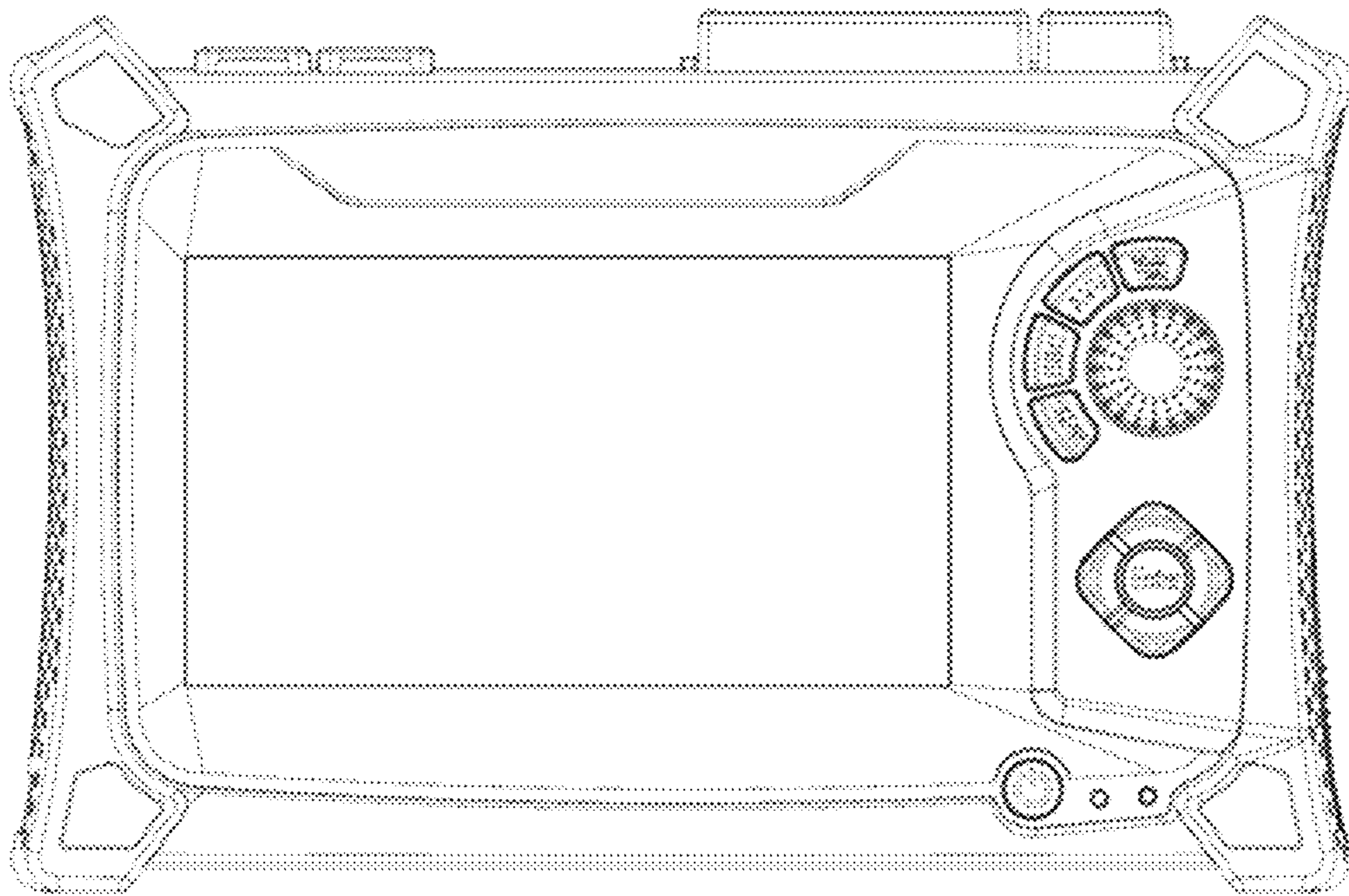


FIG. 1

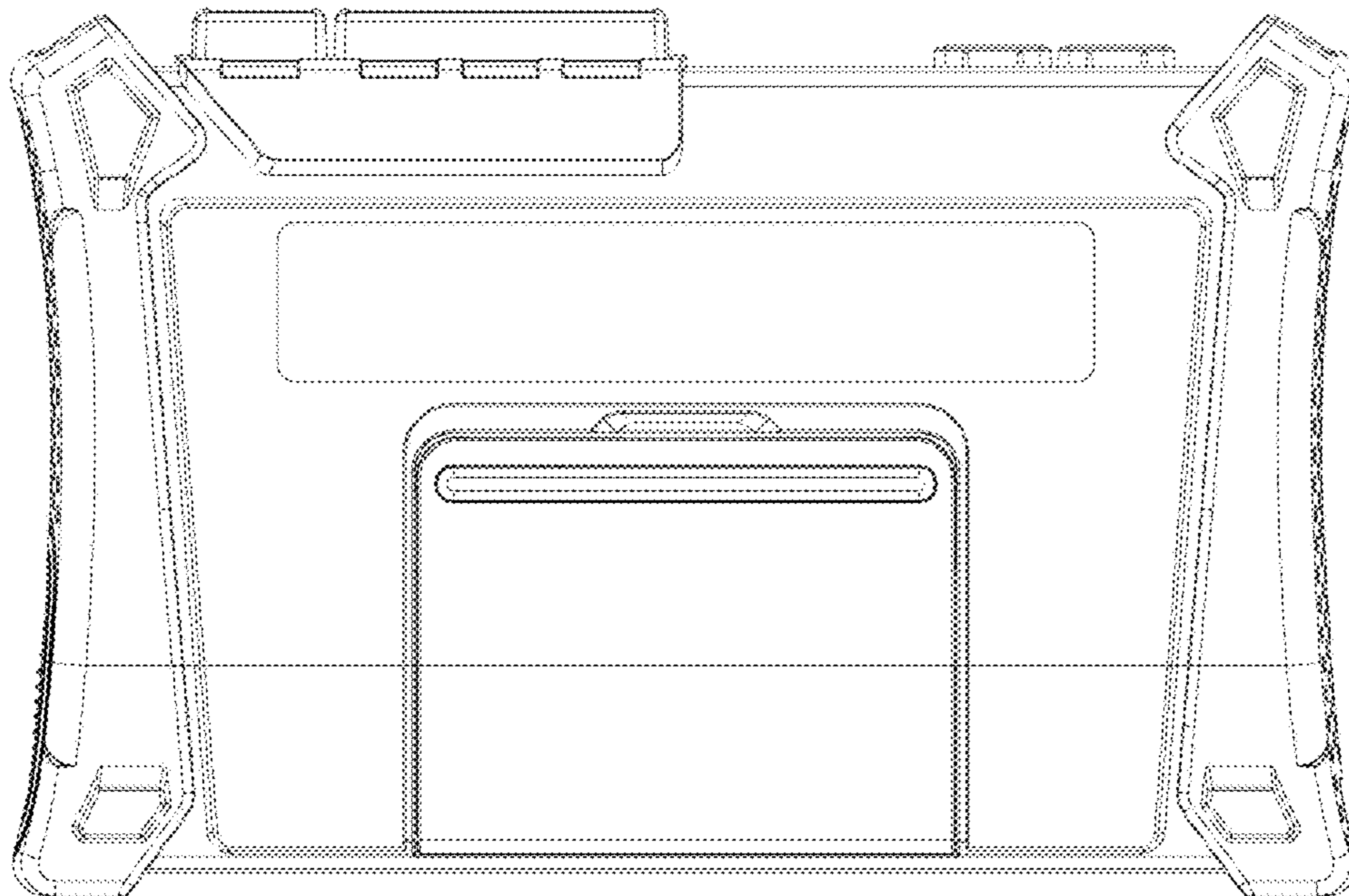


FIG. 2

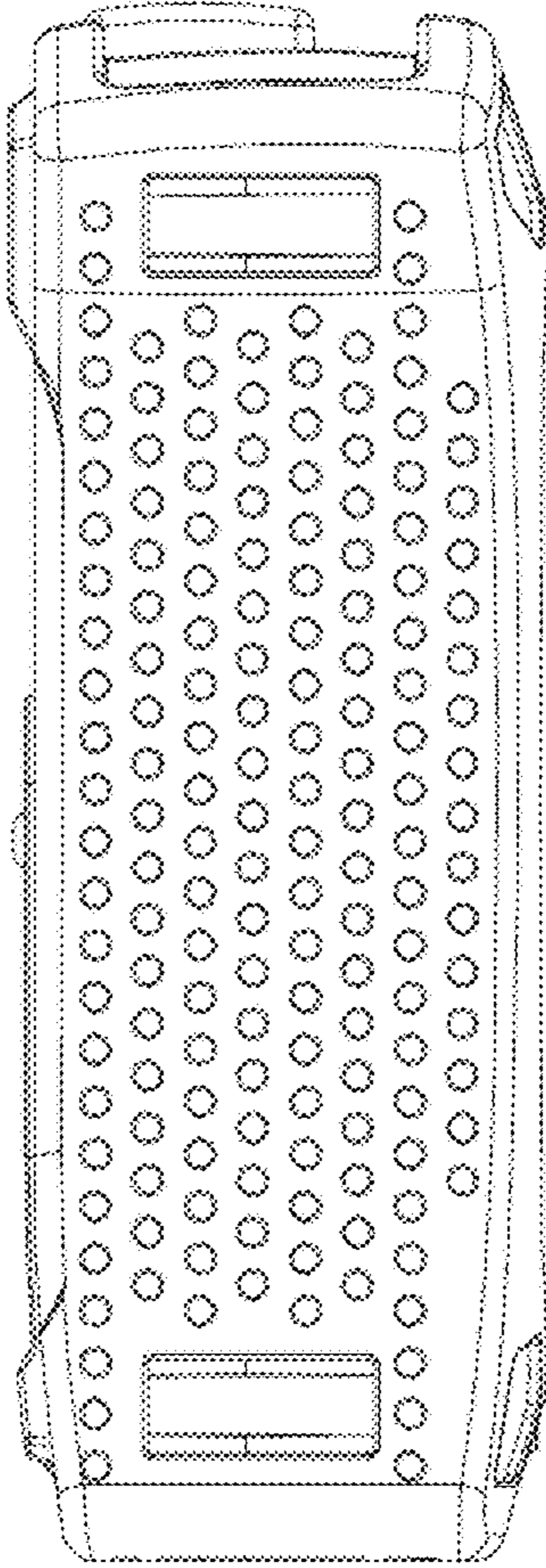


FIG. 3

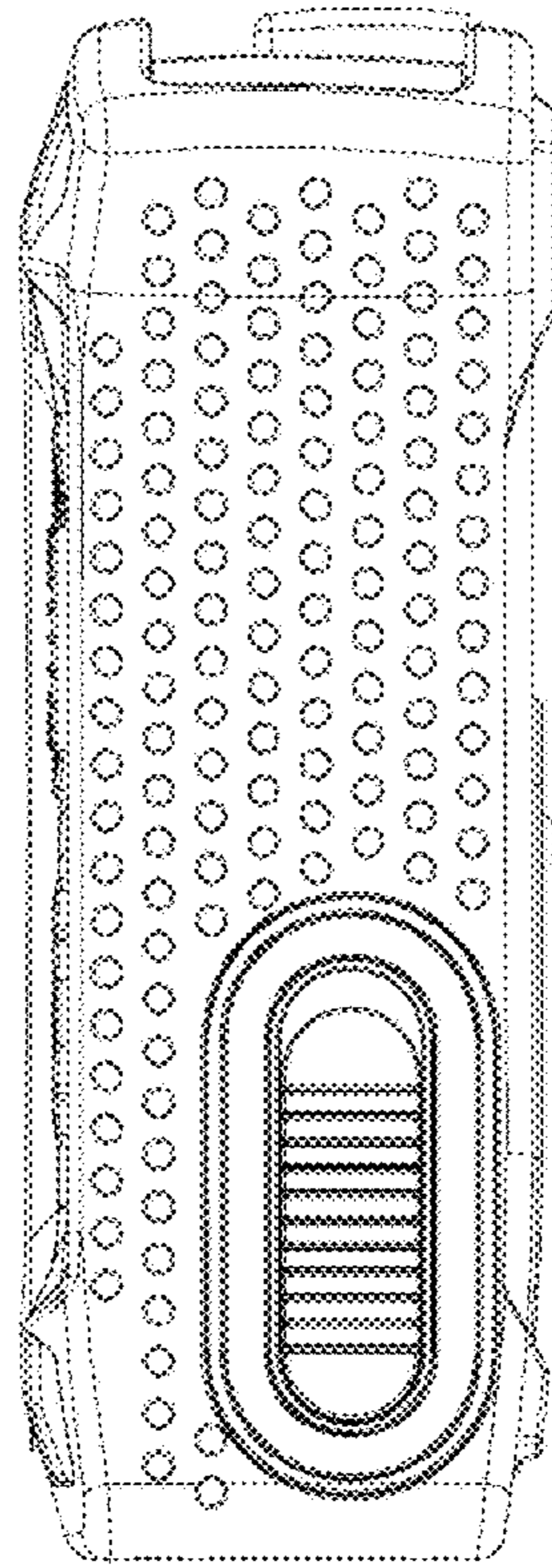


FIG. 4

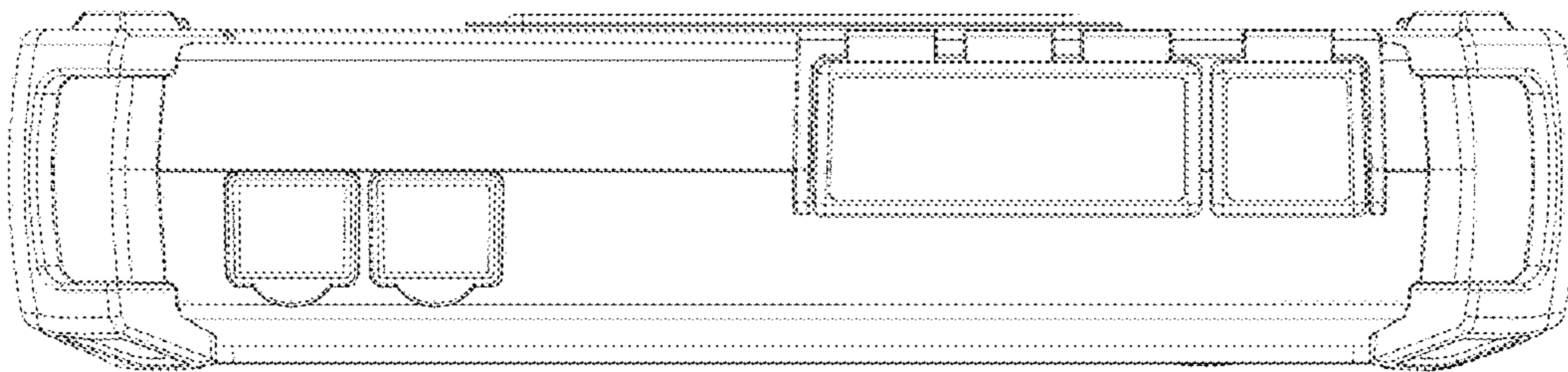


FIG. 5

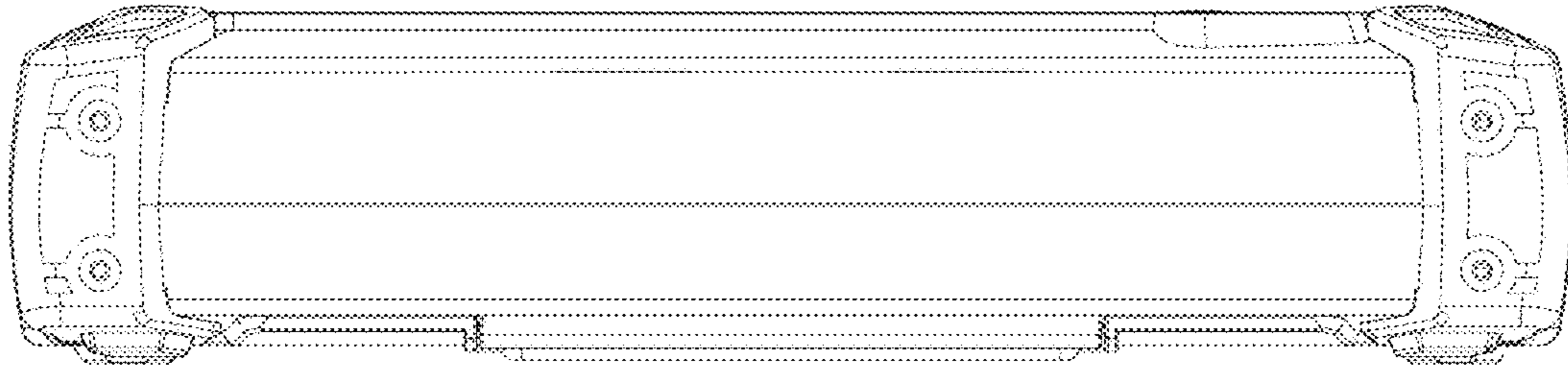


FIG. 6

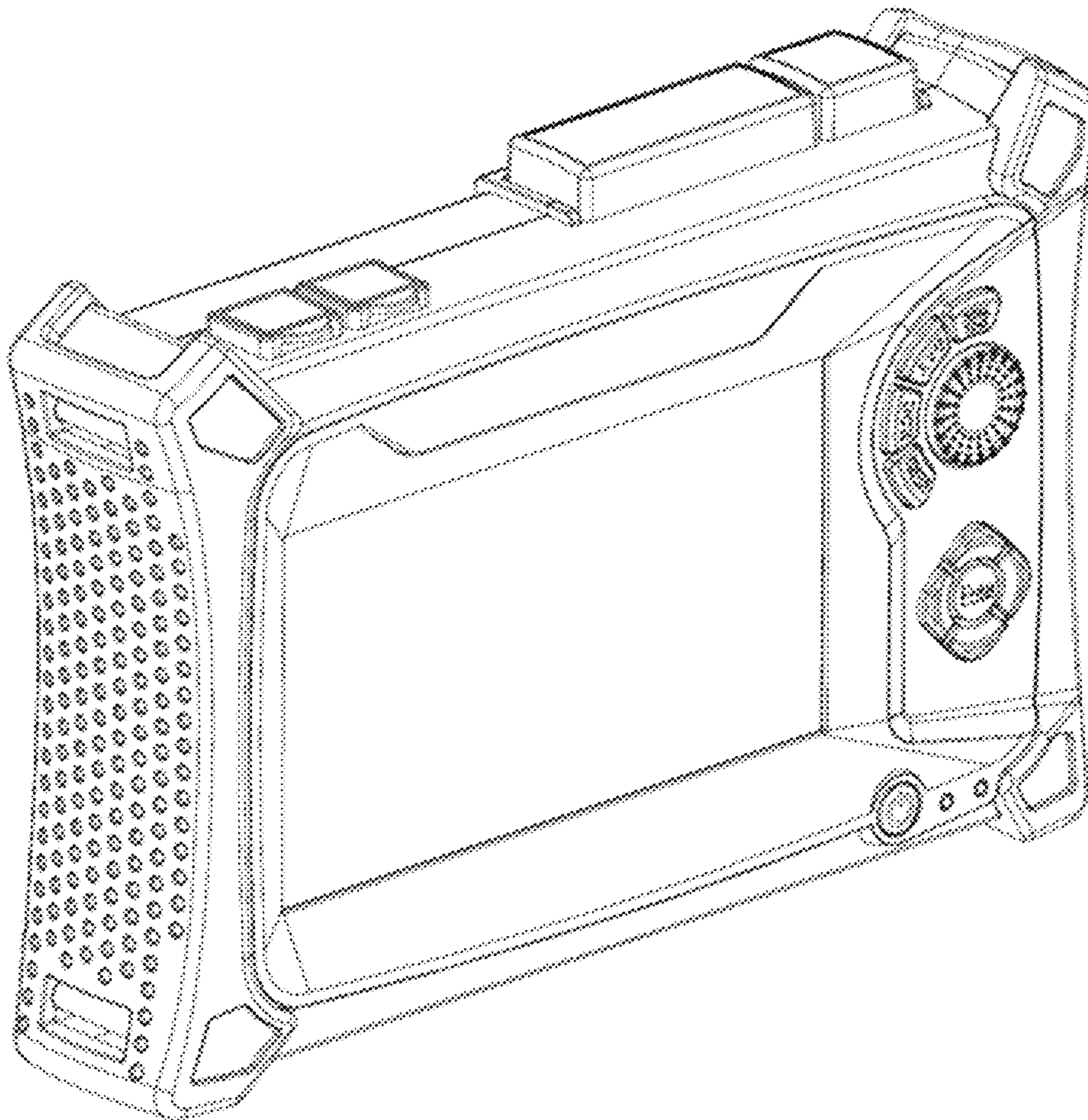


FIG. 7

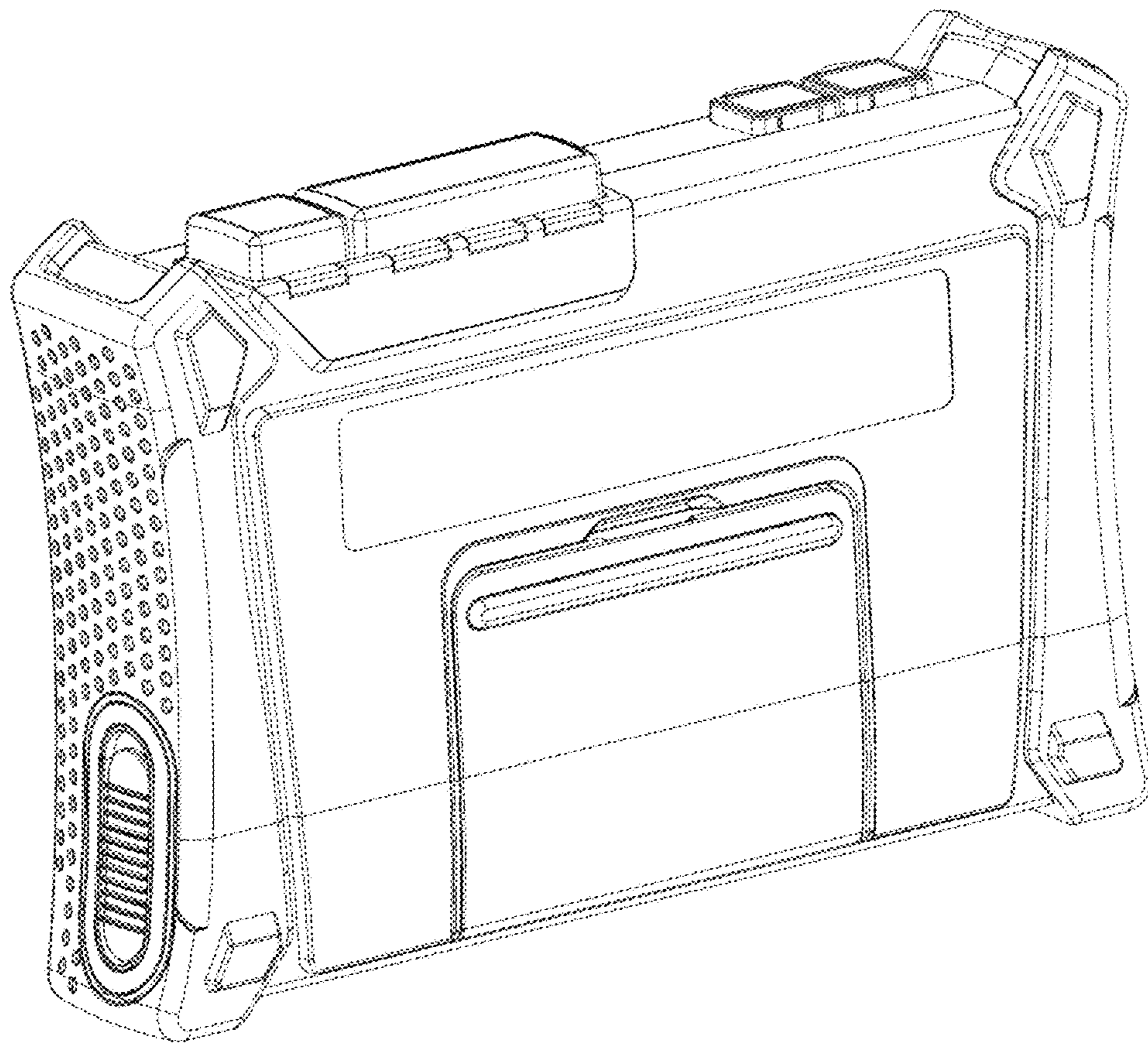


FIG. 8