



US00D850950S

(12) **United States Design Patent**
Cook et al.

(10) **Patent No.:** **US D850,950 S**

(45) **Date of Patent:** **** Jun. 11, 2019**

(54) **LONG TAPE AND HOUSING**

D418,765 S * 1/2000 Martone D10/72
D430,047 S * 8/2000 Martone D10/72

(71) Applicant: **Stanley Black & Decker, Inc.**, New Britain, CT (US)

* cited by examiner

(72) Inventors: **Vincent Cook**, Milford, CT (US); **Eric Ranieri**, Pouilly les Vignes (FR)

Primary Examiner — Antoine Duval Davis

(74) *Attorney, Agent, or Firm* — Gabriel A. Haboubi

(73) Assignee: **Stanley Black & Decker, Inc.**, New Britain, CT (US)

(57) **CLAIM**

(**) Term: **15 Years**

The ornamental design for a long tape and housing, as shown and described.

(21) Appl. No.: **29/632,239**

(22) Filed: **Jan. 5, 2018**

DESCRIPTION

(51) **LOC (11) Cl.** **10-04**

(52) **U.S. Cl.**
USPC **D10/72**

(58) **Field of Classification Search**
USPC D10/72
CPC G01C 15/10; B44D 3/38
See application file for complete search history.

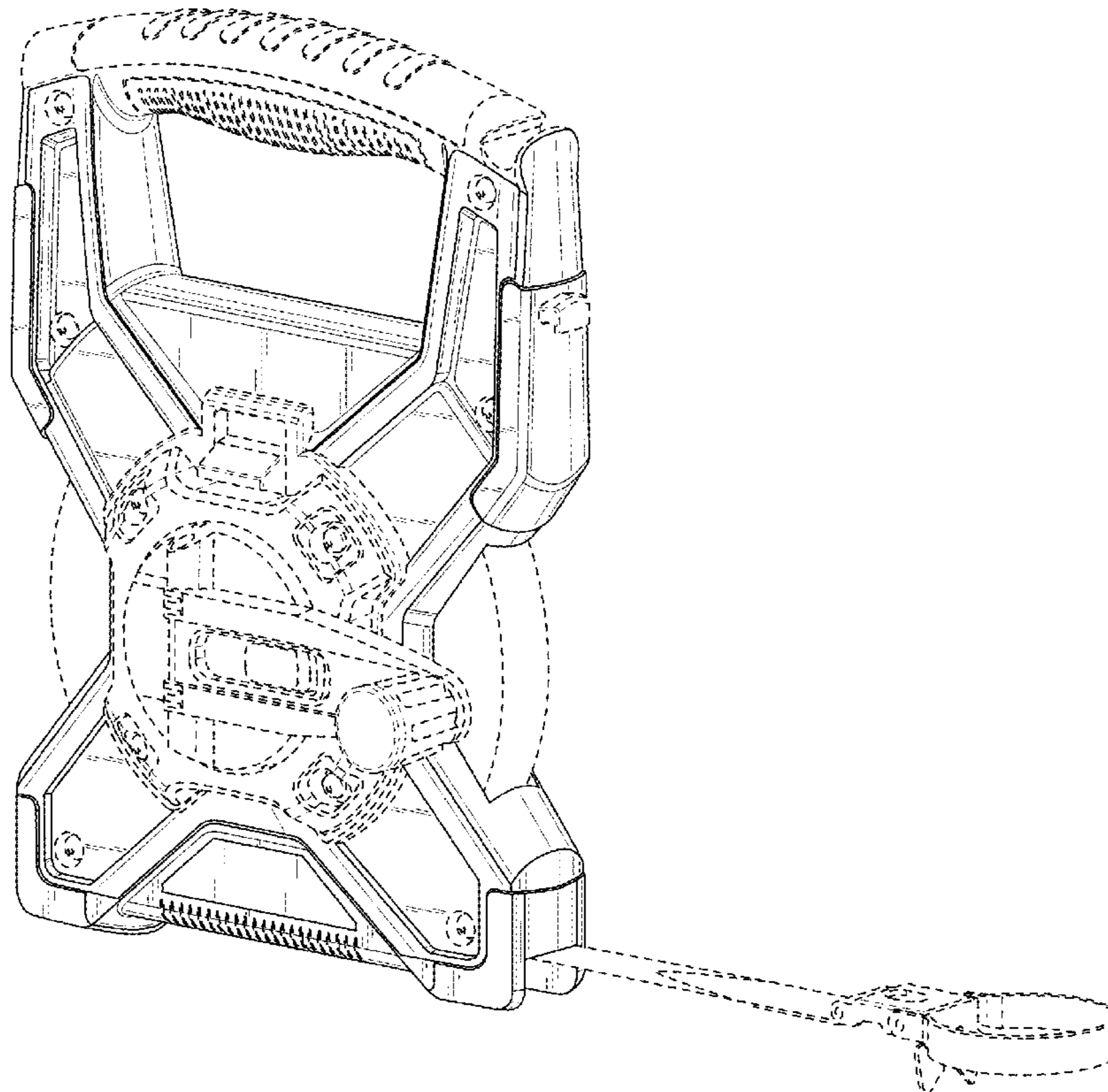
FIG. 1 is a perspective view of our new design.
FIG. 2 is a front view thereof.
FIG. 3 is a back view thereof.
FIG. 4 is a left side view thereof.
FIG. 5 is a right side view thereof.
FIG. 6 is a top view thereof; and,
FIG. 7 is a bottom view thereof.
The broken lines shown are for the purposes of illustrating the environment of the article only and form no part of the claimed design.

(56) **References Cited**

U.S. PATENT DOCUMENTS

4,189,107 A * 2/1980 Quenot G01B 3/1005
242/390.1

1 Claim, 7 Drawing Sheets



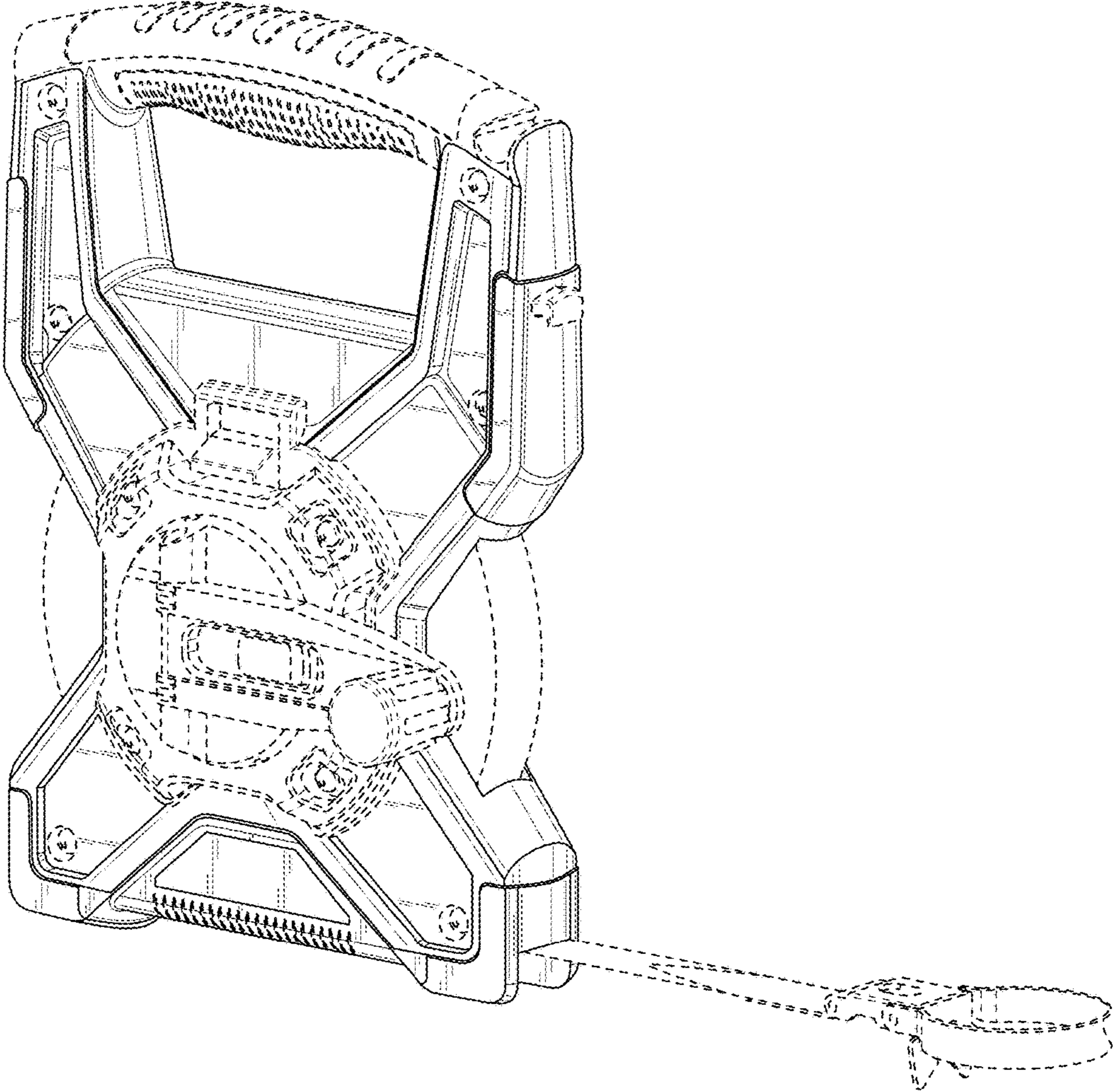


FIG. 1

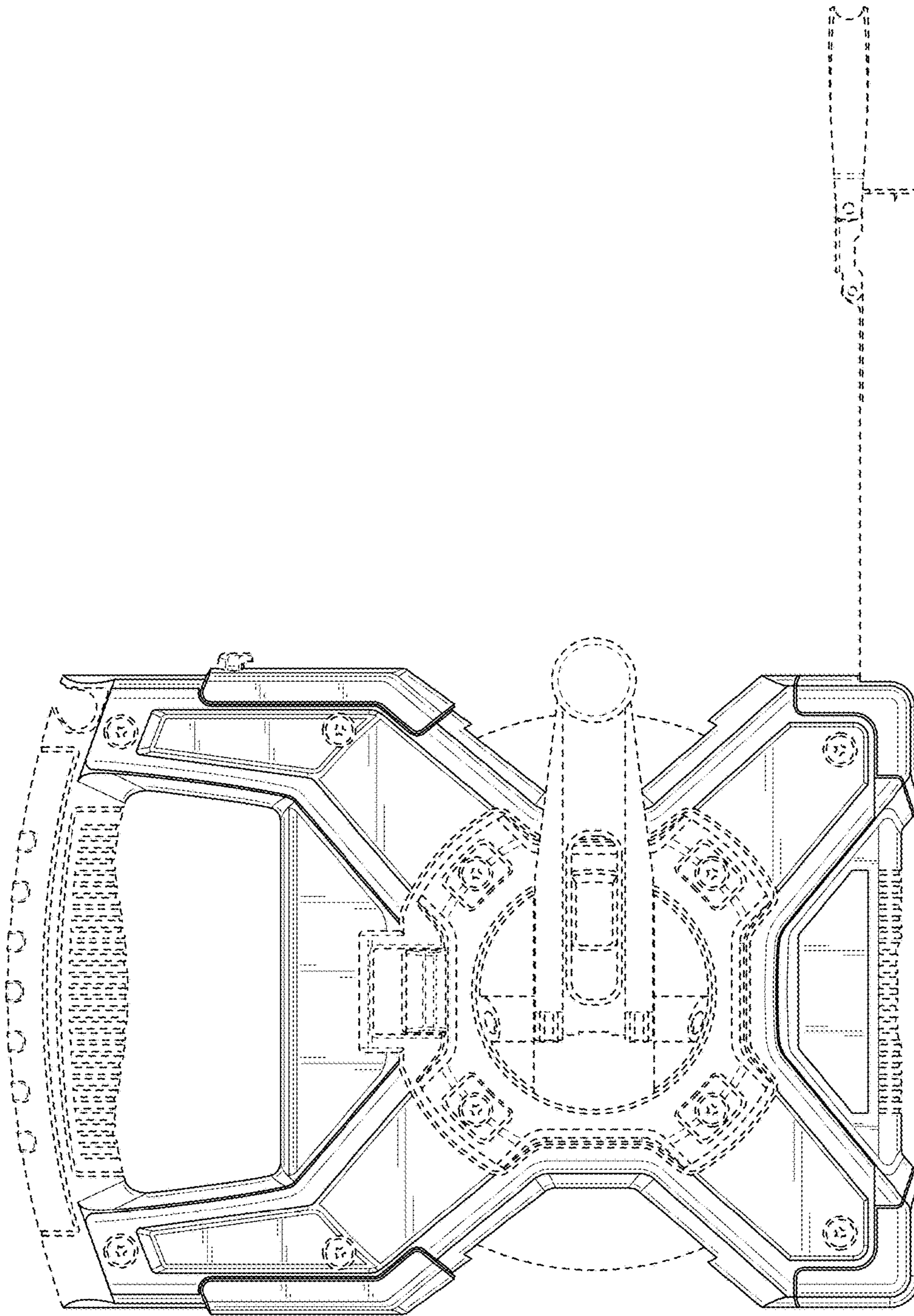


FIG. 2

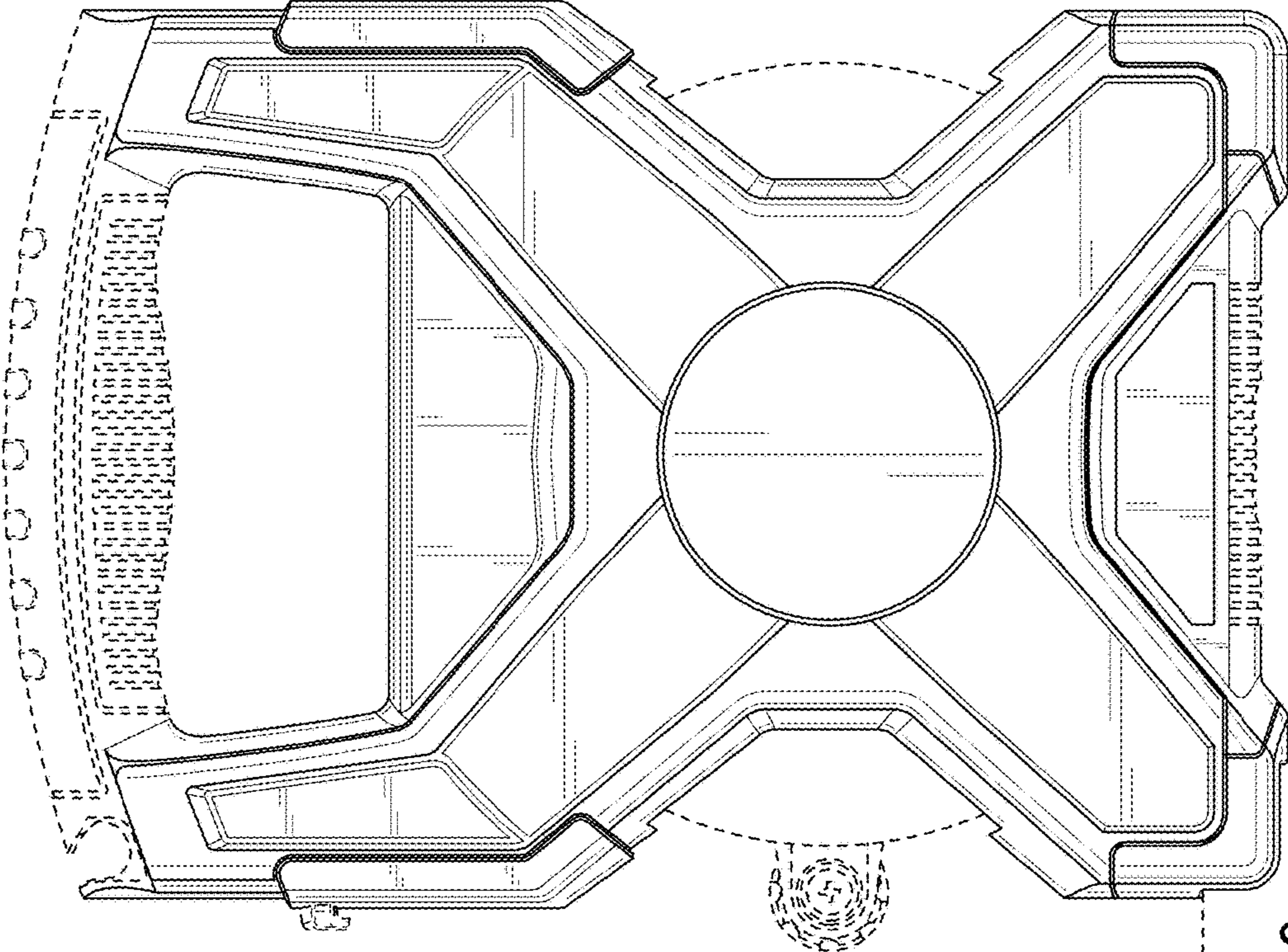
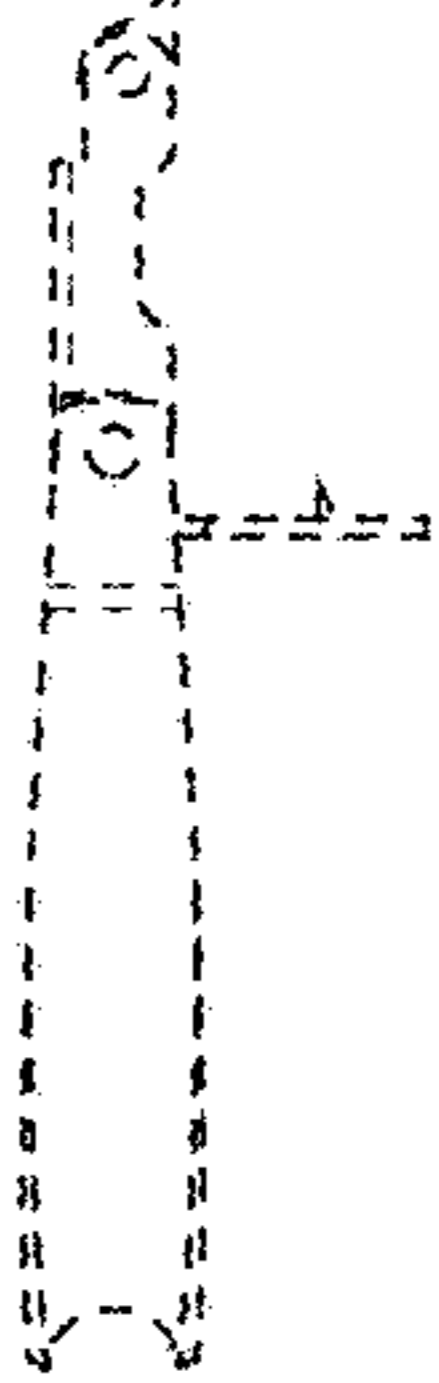


FIG. 3



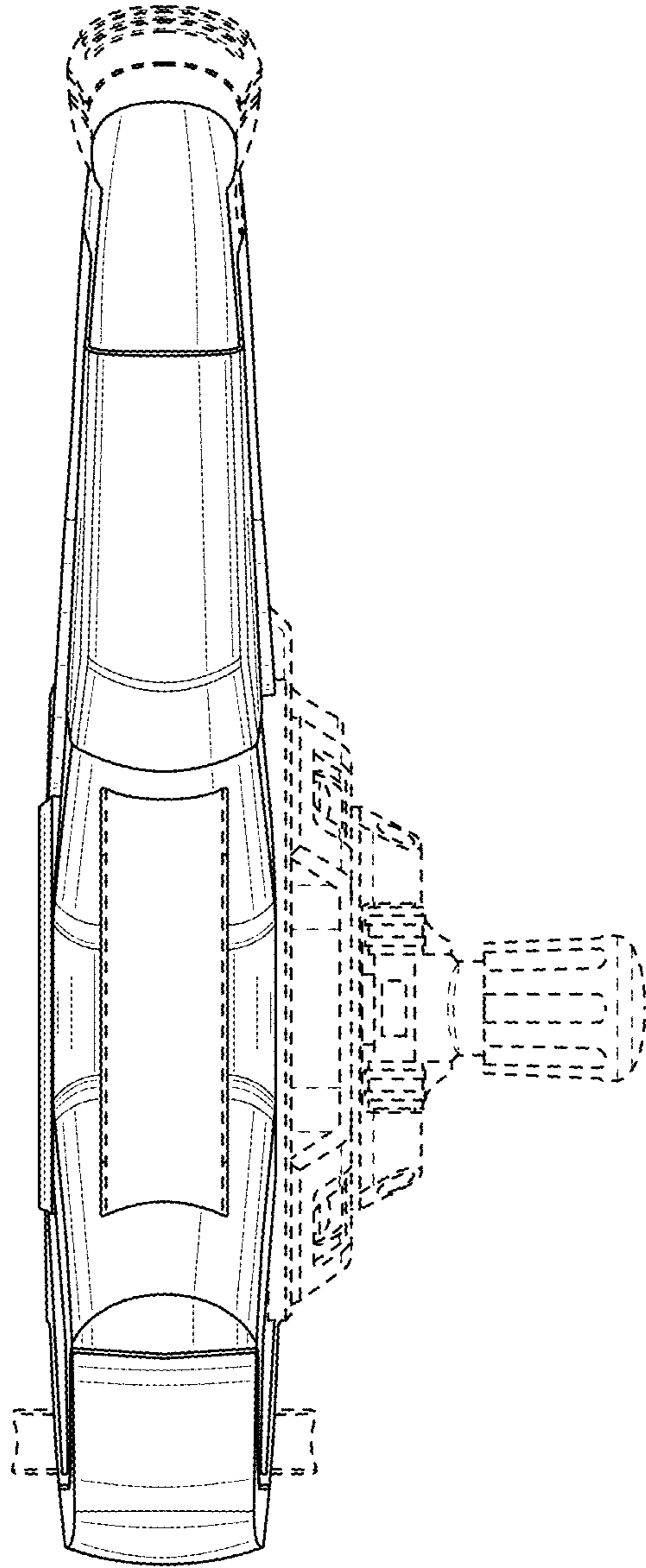


FIG. 4

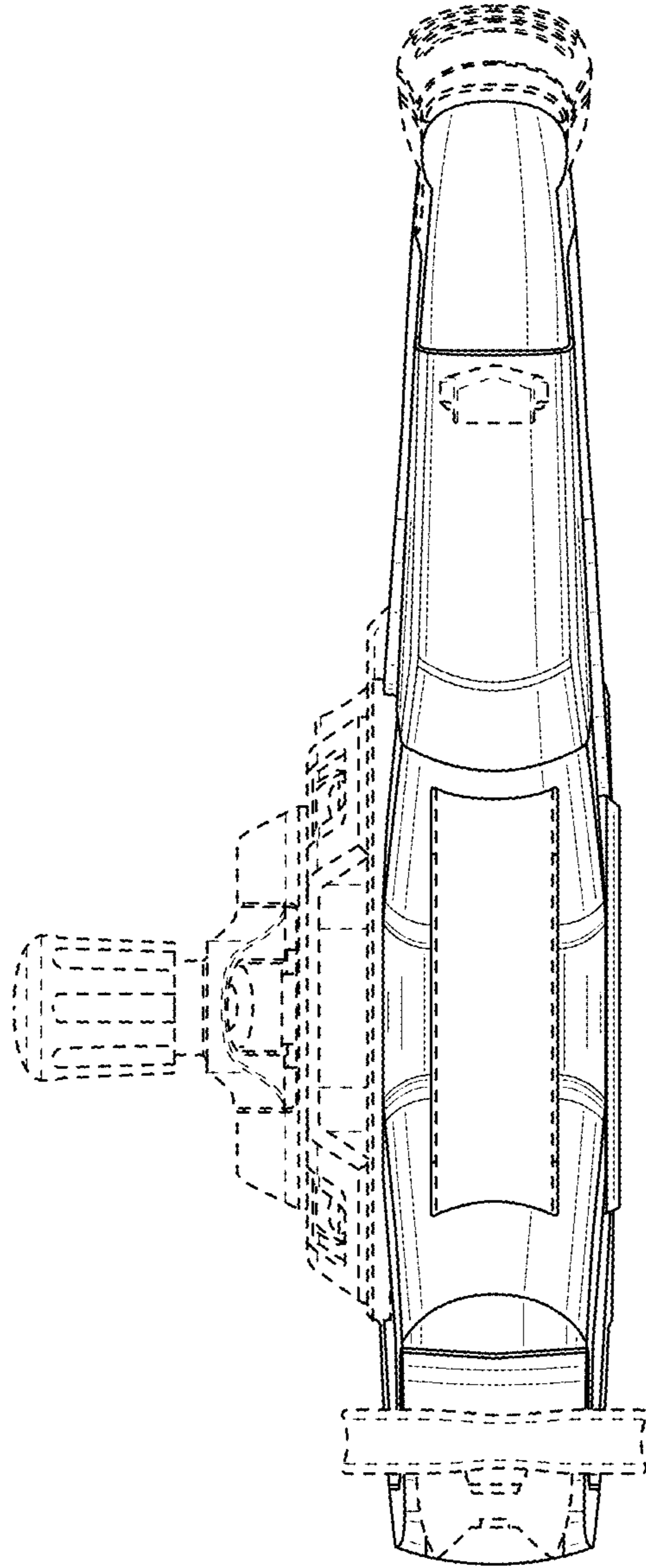


FIG. 5

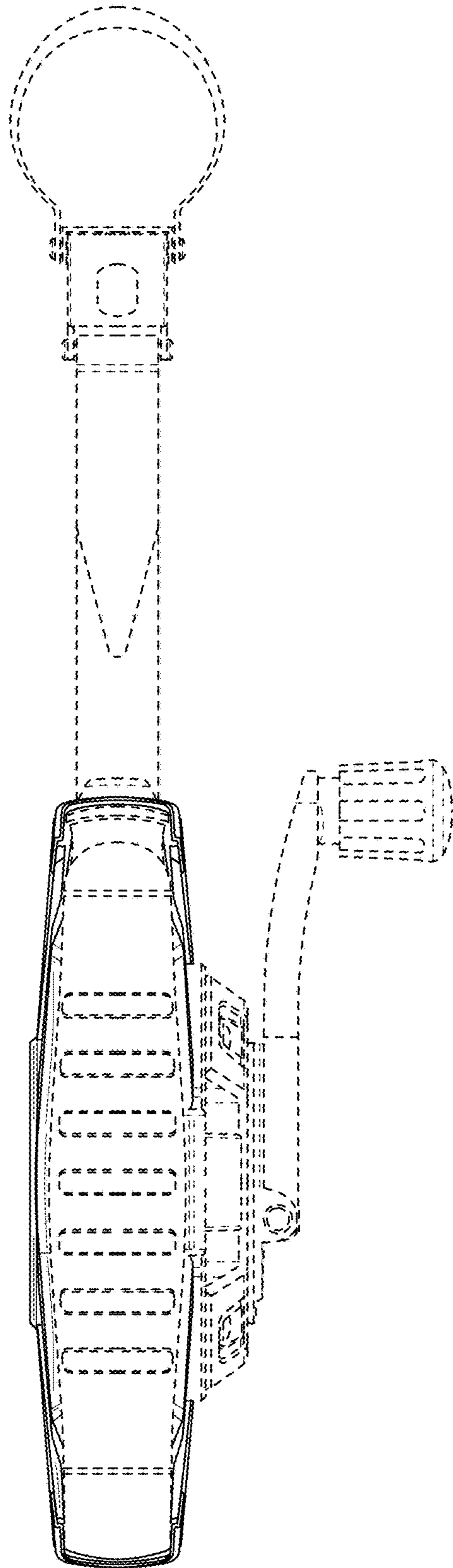


FIG. 6

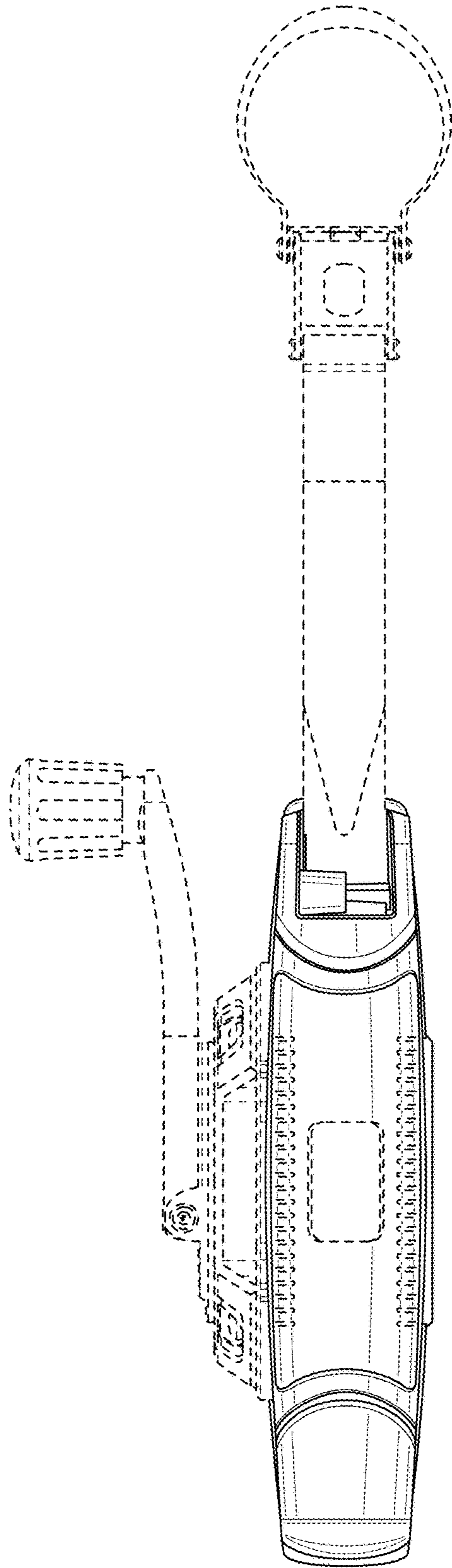


FIG. 7