



US00D850946S

(12) **United States Design Patent** (10) **Patent No.:** **US D850,946 S**
Zhevelev et al. (45) **Date of Patent:** **** Jun. 11, 2019**

(54) **POSITION DETECTOR**

21/0297; G08B 21/04; G08B 21/0407;
G08B 21/0415; G08B 21/0423; G08B
(Continued)

(71) Applicant: **Tyco Fire & Security GmbH**,
Neuhausen am Rheinfall (CH)

(56) **References Cited**

(72) Inventors: **Boris Zhevelev**, Rishon LeZion (IL);
Mark Plits, Bat Yam (IL); **Yehuda**
Shviki, Rishon LeZion (IL)

U.S. PATENT DOCUMENTS

5,912,619 A 6/1999 Vogt
8,274,037 B2 9/2012 Ritter et al.
(Continued)

(73) Assignee: **TYCO FIRE & SECURITY GMBH**,
Neuhausen am Rheinfall (CH)

FOREIGN PATENT DOCUMENTS

(**) Term: **15 Years**

CA 2 930 539 12/2016
EP 3 101 444 5/2008

(21) Appl. No.: **29/635,644**

(22) Filed: **Feb. 1, 2018**

OTHER PUBLICATIONS

(51) **LOC (11) Cl.** **10-04**

“IRMA 3D” iris Infrared Intelligent Sensors (2016).
(Continued)

(52) **U.S. Cl.**
USPC **D10/70; D10/106.6**

(58) **Field of Classification Search**
USPC **D10/70, 106.6**
CPC .. **G01P 13/00; G01P 13/0006; G01P 13/0013;**
G01P 13/002; G01P 13/0026; G01P
13/0033; G01P 13/004; G01P 13/0046;
G01P 13/0053; G01P 13/006; G01P
13/0066; G01P 13/0073; G01P 13/008;
G01P 13/0086; G01P 13/0093; G08B
21/00; G08B 21/02; G08B 21/0202;
G08B 21/0205; G08B 21/0208; G08B
21/0211; G08B 21/0213; G08B 21/0216;
G08B 21/0219; G08B 21/0222; G08B
21/0225; G08B 21/0227; G08B 21/023;
G08B 21/0233; G08B 21/0236; G08B
21/0238; G08B 21/0241; G08B 21/0244;
G08B 21/0247; G08B 21/025; G08B
21/0252; G08B 21/0258; G08B 21/0261;
G08B 21/0263; G08B 21/0266; G08B
21/0269; G08B 21/0272; G08B 21/0275;
G08B 21/0277; G08B 21/028; G08B
21/0283; G08B 21/0286; G08B 21/0288;
G08B 21/0291; G08B 21/0194; G08B

Primary Examiner — Antoine Duval Davis
(74) *Attorney, Agent, or Firm* — Arent Fox LLP

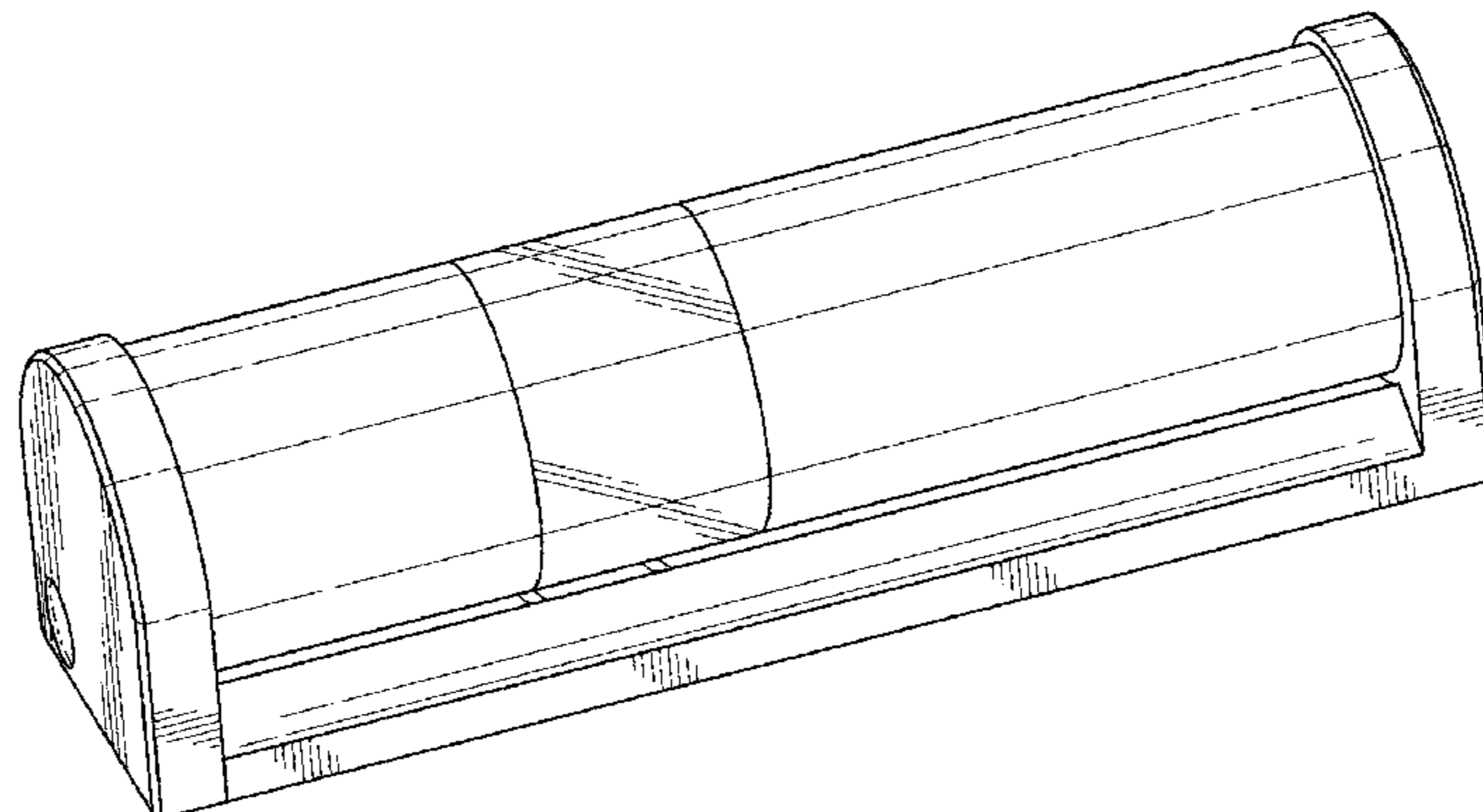
(57) **CLAIM**

The ornamental design for a position detector, as shown and described.

DESCRIPTION

FIG. 1 is a perspective front view of the position detector according to the present invention;
FIG. 2 is a front view of the position detector;
FIG. 3 is a rear view of the position detector;
FIG. 4 is a left side view of the position detector;
FIG. 5 is a right side view of the position detector;
FIG. 6 is a top view of the position detector; and,
FIG. 7 is a bottom view of the position detector.
The features shown in broken lines in the various Figures are for illustrating environmental structure and form no part of the claimed design.

(Continued)



More generally, the invention pertains to an ornamental design for an article of manufacture.

1 Claim, 6 Drawing Sheets

(58) Field of Classification Search

CPC 21/043; G08B 21/0438; G08B 21/0446; G08B 21/0453; G08B 21/0461; G08B 21/0469; G08B 21/0476; G08B 21/0484; G08B 21/0492; G08B 21/06; G08B 21/08; G08B 21/082; G08B 21/084; G08B 21/086; G08B 21/088; G08B 21/10; G08B 21/12; G08B 21/14; G08B 21/16; G08B 21/18; G08B 21/182; G08B 21/185; G08B 21/187; G08B 21/20; G08B 21/22; G08B 21/24; G08B 21/245; G08B 23/00; G08B 13/00; G08B 13/02; G08B 13/04; G08B 13/06; G08B 13/08; G08B 13/10; G08B 13/12; G08B 13/122; G08B 13/124; G08B 13/126; G08B 13/028; G08B 13/14; G08B 13/1409; G08B 13/1418; G08B 13/1427; G08B 13/1436; G08B 13/1445; G08B 13/1454; G08B 13/1463; G08B 13/1472; G08B 13/1481; G08B 13/149; G08B 13/16; G08B 13/1609; G08B 13/1618; G08B 13/1627; G08B 13/1636; G08B 13/1645; G08B 13/1654; G08B 13/1663; G08B 13/1672; G08B 13/1681; G08B 13/169; G08B 13/18; G08B 13/181; G08B 13/183; G08B 13/184; G08B 13/186; G08B 13/187; G08B 13/189; G08B 13/1895; G08B 13/19; G08B 13/191; G08B 13/193; G08B 13/194; G08B 13/196; G08B 13/19602; G08B 13/19604; G08B 13/19606; G08B 13/19608; G08B 13/1961; G08B 13/19613; G08B 13/19615; G08B 13/19617; G08B 16/19619; G08B 13/19621; G08B 13/19623; G08B 13/19626; G08B 13/19628; G08B 13/1963; G08B 13/19632; G08B 13/19634; G08B 13/19636; G08B 13/19639; G08B 13/19641; G08B 13/19643; G08B 13/19645; G08B 13/19647; G08B

13/1965; G08B 13/19652; G08B 13/19654; G08B 13/19656; G08B 13/19658; G08B 13/1966; G08B 13/19663; G08B 13/19665; G08B 13/19667; G08B 13/19669; G08B 13/19671; G08B 13/19673; G08B 13/19676; G08B 13/19678; G08B 13/1968; G08B 13/19682; G08B 13/19684; G08B 13/19686; G08B 13/19689; G08B 13/19691; G08B 13/19693; G08B 13/19695; G08B 13/19697; G08B 13/20; G08B 13/22; G08B 13/24; G08B 13/2402; G08B 13/2405; G08B 13/2408; G08B 13/2411; G08B 13/2414; G08B 13/2417; G08B 13/242; G08B 13/2422; G08B 13/2425; G08B 13/2428; G08B 13/2431; G08B 13/2434; G08B 13/2437; G08B 13/244; G08B 13/2442; G08B 13/2445; G08B 13/2448; G08B 13/2451; G08B 13/2454; G08B 13/2457; G08B 13/246; G08B 13/2462; G08B 13/2465; G08B 13/2468; G08B 13/2471; G08B 23/2474; G08B 13/2477; G08B 13/248; G08B 13/2482; G08B 13/2485; G08B 13/2488; G08B 13/2491; G08B 13/2494; G08B 13/2497; G08B 13/26

See application file for complete search history.

(56)

References Cited

U.S. PATENT DOCUMENTS

8,970,373	B2	3/2015	Buckley et al.	
D764,335	S *	8/2016	Thornton	D10/106.6
9,576,449	B2	2/2017	Smith	
D826,073	S *	8/2018	Alkelai	D10/70
2016/0358430	A1	12/2016	Smith	

OTHER PUBLICATIONS

“AN07—epc600—Handbook Time—of—flight range finder chip” ESPROS Photonics Corporation, 1-28 (2014).
 “Doors & Gates Industry—Cedes” <http://www.fbselektronik.com/doors-gates-industry-cedes.html>, 1-5 (2017).
 “Tailgate Detector TDflextm M2S” IEE S.A., Version 5, 1-98 (2013).

* cited by examiner

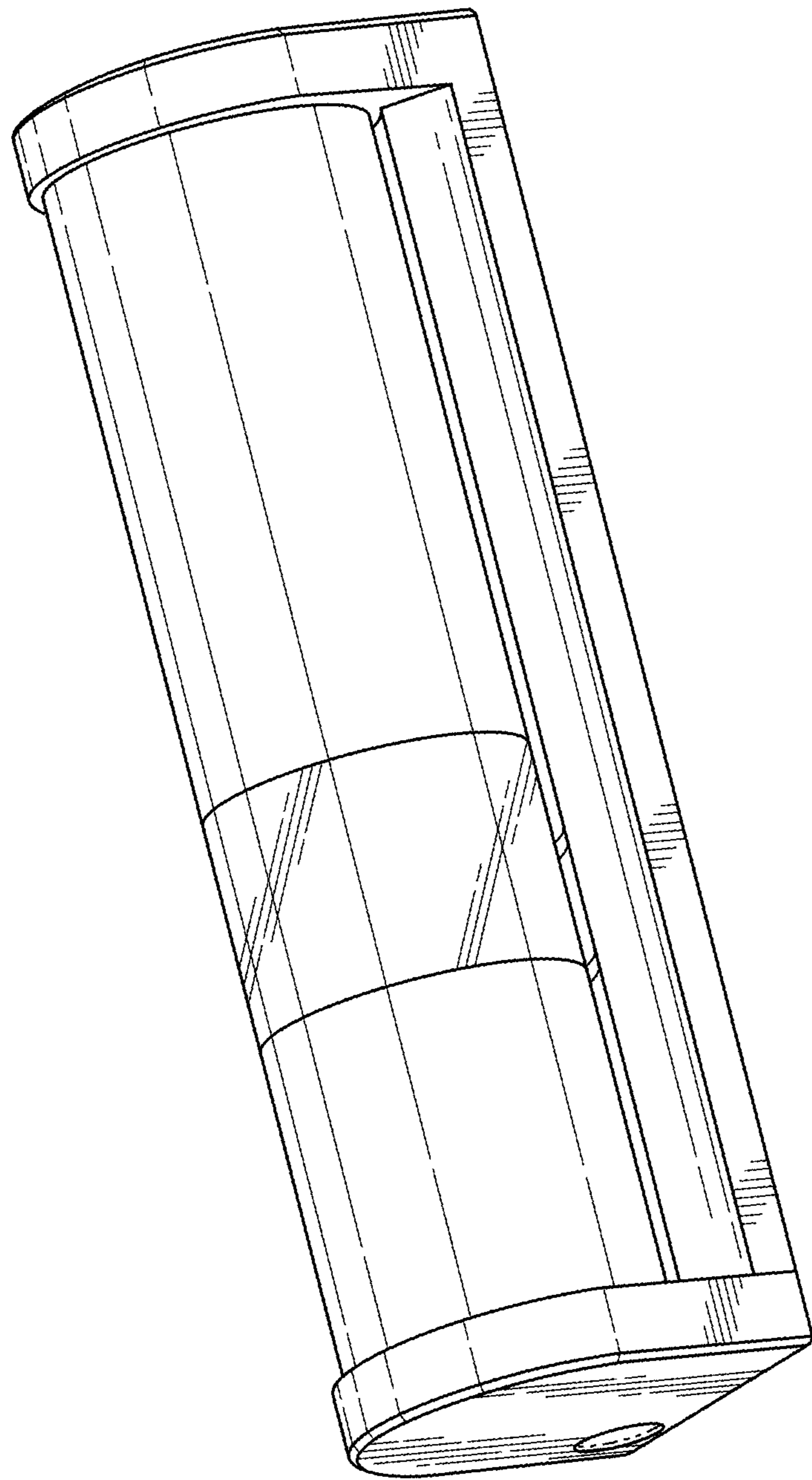


FIG. 1

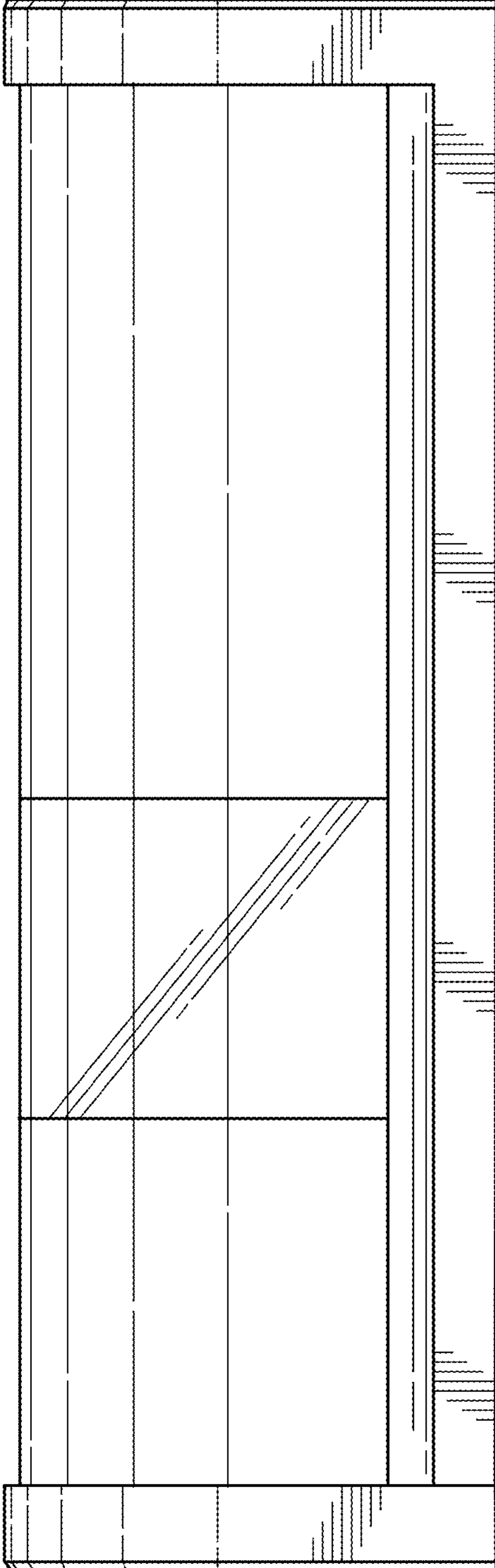


FIG. 2

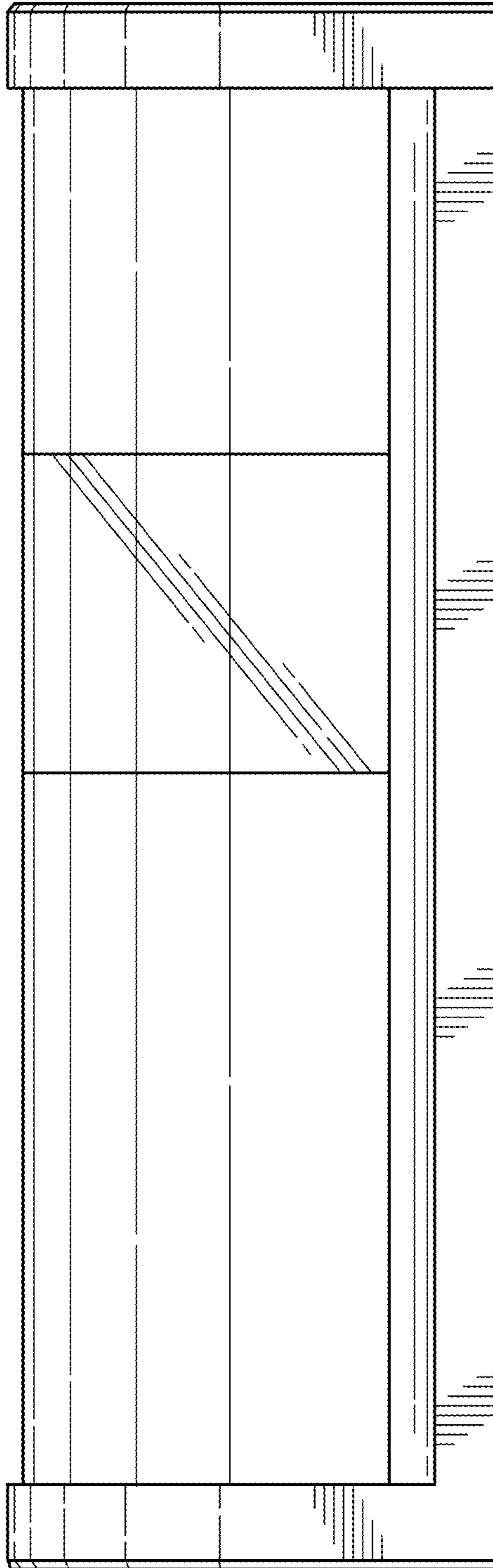


FIG. 3

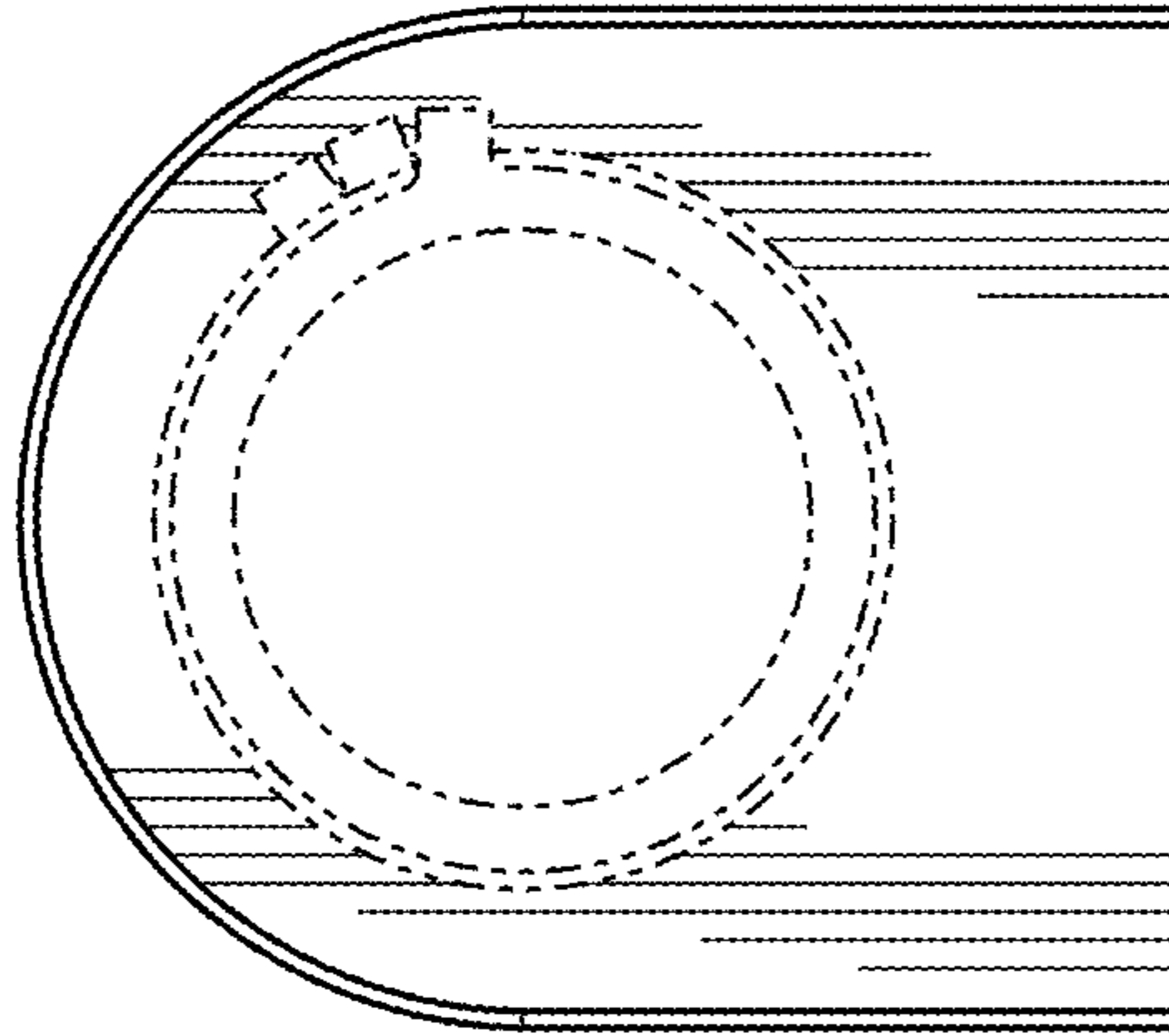


FIG. 5

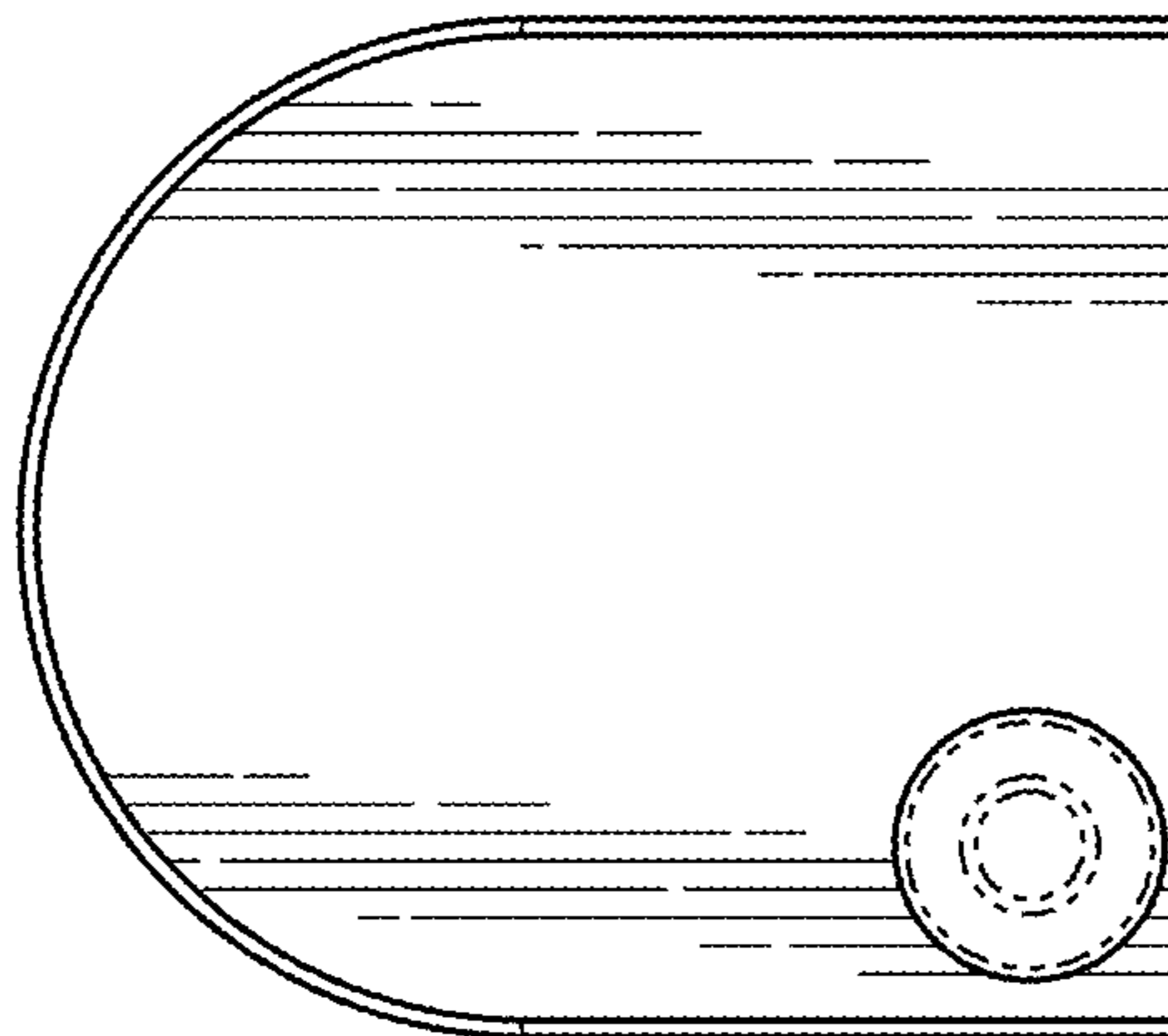


FIG. 4

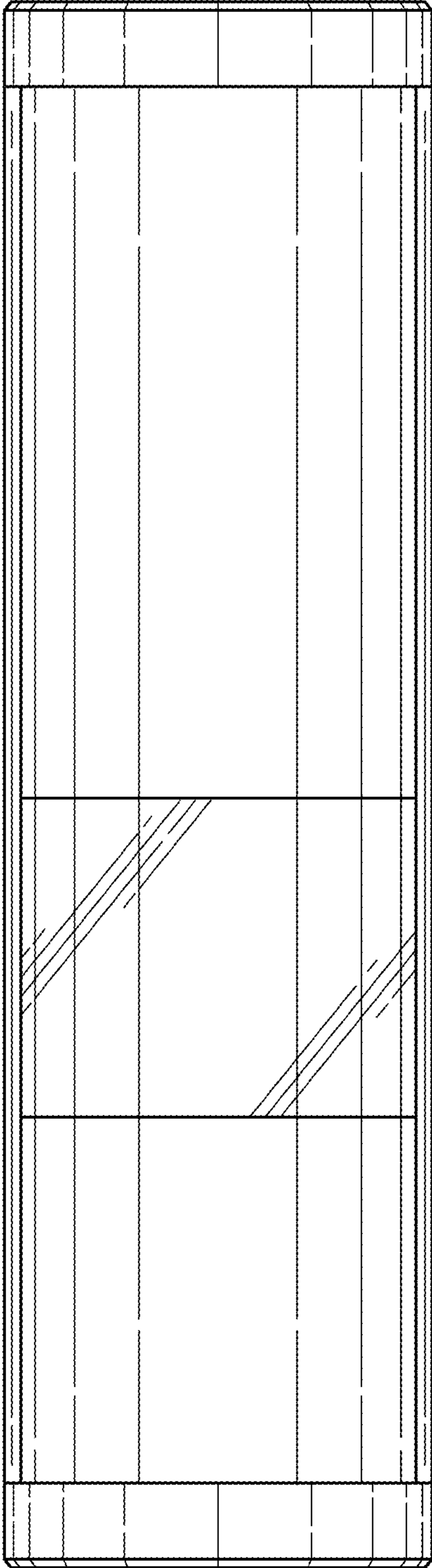


FIG. 6

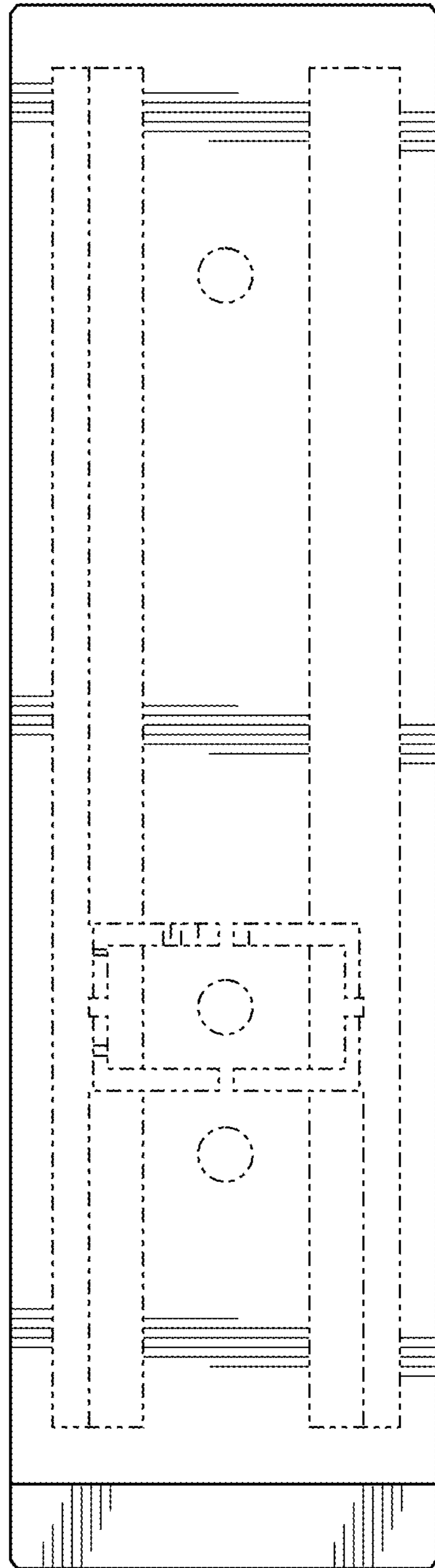


FIG. 7