



US00D850945S

(12) **United States Design Patent** (10) **Patent No.:** **US D850,945 S**
Akana et al. (45) **Date of Patent:** **** *Jun. 11, 2019**

(54) **WEARABLE DEVICE**

(71) Applicant: **Apple Inc.**, Cupertino, CA (US)

(72) Inventors: **Jody Akana**, San Francisco, CA (US); **Bartley K. Andre**, Palo Alto, CA (US); **Shota Aoyagi**, San Francisco, CA (US); **Anthony Michael Ashcroft**, San Francisco, CA (US); **Jeremy Bataillou**, San Francisco, CA (US); **Daniel J. Coster**, San Francisco, CA (US); **Daniele De Iuliis**, San Francisco, CA (US); **M. Evans Hankey**, San Francisco, CA (US); **Julian Hoenig**, San Francisco, CA (US); **Richard P. Howarth**, San Francisco, CA (US); **Jonathan P. Ive**, San Francisco, CA (US); **Duncan Robert Kerr**, San Francisco, CA (US); **Marc A. Newson**, London (GB); **Matthew Dean Rohrbach**, San Francisco, CA (US); **Peter Russell-Clarke**, San Francisco, CA (US); **Benjamin Andrew Shaffer**, San Jose, CA (US); **Mikael Silvano**, San Francisco, CA (US); **Christopher J. Stringer**, Woodside, CA (US); **Eugene Antony Whang**, San Francisco, CA (US); **Rico Zörkendörfer**, San Francisco, CA (US)

(73) Assignee: **Apple Inc.**, Cupertino, CA (US)

(*) Notice: This patent is subject to a terminal disclaimer.

(**) Term: **15 Years**

(21) Appl. No.: **29/630,865**

(22) Filed: **Dec. 22, 2017**

a continuation of application No. 29/501,059, filed on Aug. 29, 2014, now Pat. No. Des. 766,752, which is a continuation of application No. 29/499,090, filed on Aug. 11, 2014, now abandoned.

(51) **LOC (11) Cl.** **10-04**

(52) **U.S. Cl.**
USPC **D10/70**; D10/38; D10/78; D10/97; D14/344; D24/167; D24/186

(58) **Field of Classification Search**

USPC D10/30, 31, 32, 38, 39, 70, 78, 97, 98; D14/203.5, 344; D24/167, 186
CPC G04B 19/00-19/34; G04B 21/12; G04B 23/12; G04B 37/00-37/228; G04B 47/00-47/068; G04B 45/0069; G04B 47/04; G04B 47/065; G04B 47/066; G01C 17/00; G01C 21/00-21/3697; G01C 22/00-22/025; G01C 23/00-23/005; G01C 21/16; G06F 19/3481; G06F 3/00-3/027; G06F 1/163; G01P 1/00-1/26; G01P 15/00-15/18; A63B 24/00-2024/0096; A63B 2213/00; A63B 69/0028; A63B 2071/0658-2071/0666; A63B 2220/00-2220/89; A63B 2225/02; A63C 11/02; A61B 5/681; A61B 5/6824; A61B 5/6825; A61B 5/6826; A61B 5/0537; A61B 5/4872; A61B 5/6831; A61B 5/4869; A61B 5/0858; A61B 5/1075; A61B 5/107; A61B 5/4875; A61B 5/4878; A61B 5/4881; A61B 5/61-5/6898; A44C 5/00-5/16; G04R 20/02; G08B 21/0269; G08B 21/0272; G08B 21/0286; G08B 21/0288; G08B 21/0291; G08B 21/04-21/2454; G01S 19/00-19/55; G04G 9/0064; G04G 9/0005; G04C 10/00; G04C 10/02

See application file for complete search history.

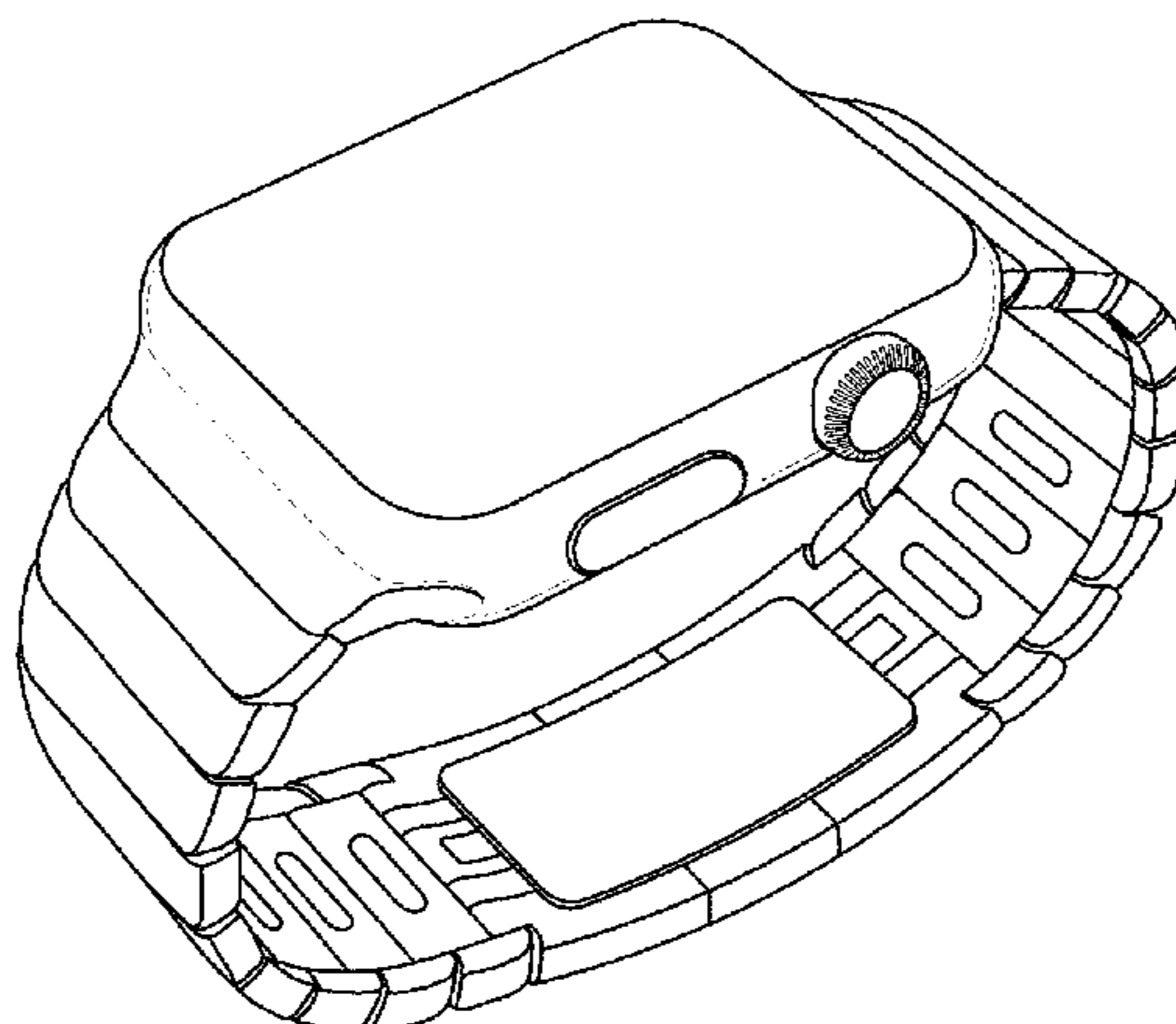
(56) **References Cited**

U.S. PATENT DOCUMENTS

Related U.S. Application Data

(63) Continuation of application No. 29/577,959, filed on Sep. 16, 2016, now Pat. No. Des. 805,929, which is

1,712,564 A 5/1929 Jones
1,712,582 A 5/1929 Renz
1,738,407 A 12/1929 Tost



US D850,945 S

1,740,894 A	12/1929	Johnson	D637,918 S	5/2011	Cobbett et al.
1,760,662 A	5/1930	Prestinari	D642,074 S	7/2011	Chastaingt
1,764,440 A	6/1930	Gammell et al.	D645,360 S	9/2011	Kiser et al.
1,784,582 A	12/1930	Doppenschmitt	D650,706 S	12/2011	Zanella et al.
1,786,943 A	12/1930	Gammell	D666,503 S	9/2012	Bulgari
D152,491 S	1/1949	Osier	D670,583 S	11/2012	Shaanan
3,030,686 A	4/1962	Burkhardt	D671,015 S	11/2012	Monachon
3,372,500 A	3/1968	Claude	D672,667 S	12/2012	Mix
3,640,065 A	2/1972	Lederrey et al.	D674,710 S	1/2013	Monachon
3,665,565 A	5/1972	Kruger	D681,483 S	5/2013	Biegert et al.
3,675,284 A	7/1972	Rieth	8,601,784 B2	12/2013	Kaltenrieder
3,914,933 A	10/1975	Carlone	D699,701 S	2/2014	Kim
3,994,126 A	11/1976	Rieth	D704,077 S	5/2014	Monachon
D249,244 S	9/1978	Salter	D714,288 S	9/2014	Aumiller et al.
4,125,920 A	11/1978	Grimes	D717,678 S	11/2014	Anderssen et al.
D250,634 S	12/1978	Porsche	D717,679 S	11/2014	Anderssen et al.
D251,829 S	5/1979	Sulek	D719,123 S	12/2014	Park et al.
D256,568 S	8/1980	Young	D720,630 S	1/2015	Nashimoto
4,266,400 A	5/1981	Tabata	D724,556 S	3/2015	Choi et al.
D269,254 S	6/1983	Kishimoto	D727,199 S	4/2015	Akana et al.
D287,471 S	12/1986	Sato et al.	D728,624 S *	5/2015	Akana D14/496
D287,705 S	1/1987	Malamoud	D729,670 S	5/2015	Nuovo et al.
4,681,461 A	7/1987	Gogniat	D731,346 S	6/2015	Akana et al.
D299,718 S	2/1989	Steer	D737,156 S	8/2015	Akana et al.
D305,422 S	1/1990	Steer et al.	D737,158 S *	8/2015	Akana D10/32
D331,020 S	11/1992	Ishii et al.	D737,159 S	8/2015	Akana et al.
D333,626 S	3/1993	Chang	D741,726 S *	10/2015	Akana D10/30
D337,157 S	7/1993	Ortiz	D744,356 S *	12/2015	Akana D10/70
D337,158 S	7/1993	Summers	D745,421 S *	12/2015	Akana D10/32
5,239,521 A	8/1993	Blonder	D746,707 S	1/2016	Akana et al.
D339,309 S	9/1993	Butler	D749,009 S	2/2016	Akana et al.
D349,864 S	8/1994	Dunlap et al.	D751,070 S	3/2016	Akana et al.
5,363,351 A	11/1994	Carney	D756,824 S *	5/2016	Akana D10/103
D355,375 S	2/1995	Bandy, II	D757,819 S *	5/2016	Akana D14/496
5,386,933 A	2/1995	Greene et al.	D758,363 S *	6/2016	Akana D10/30
5,441,686 A	8/1995	Jackl et al.	D759,011 S *	6/2016	Akana D14/344
D408,301 S	4/1999	Porsche et al.	D765,655 S *	9/2016	Tao D10/38
D424,952 S	5/2000	Porsche et al.	D766,752 S *	9/2016	Akana D10/30
6,101,842 A	8/2000	Delacretaz	D771,035 S *	11/2016	Akana D14/344
D439,172 S	3/2001	Brzezinski	9,551,608 B2 *	1/2017	Cho G01G 9/00
6,198,698 B1	3/2001	Graves	9,658,347 B2 *	5/2017	Jacob G01T 1/247
D455,093 S	4/2002	Fitzgerald	9,743,695 B2 *	8/2017	Yoo A61B 5/7435
D473,818 S	4/2003	Salvisberg	D800,172 S *	10/2017	Akana D14/496
6,655,831 B1	12/2003	Ruffieux	D802,587 S *	11/2017	Lee D14/344
D488,392 S	4/2004	Tschumi	D805,513 S *	12/2017	Akana D14/344
D494,098 S	8/2004	Cohen	D805,929 S *	12/2017	Akana D10/70
6,782,690 B2	8/2004	Kwan	D806,880 S *	1/2018	Henning D24/186
D496,589 S	9/2004	Perrenoud	D807,765 S *	1/2018	Akana D10/70
6,970,157 B2	11/2005	Siddeeq	D808,961 S *	1/2018	Lee D14/344
D513,195 S	12/2005	Gruosi	D809,510 S *	2/2018	Rochat D14/344
7,004,469 B2	2/2006	Von Goeben	D813,229 S *	3/2018	Ling D14/344
7,013,631 B2	3/2006	Carrola	D816,695 S *	5/2018	Spector D14/486
D528,439 S *	9/2006	Burton D10/32	10,038,361 B2 *	7/2018	Hajati G06F 1/163
D528,928 S *	9/2006	Burton D10/38	D828,352 S *	9/2018	Akana D14/344
7,106,197 B2	9/2006	Gaiotto et al.	2005/0207284 A1	9/2005	Hiranuma et al.
D536,265 S	2/2007	Reynoso	2005/0210857 A1	9/2005	Carrola
D538,687 S	3/2007	Komulainen	2010/0061191 A1	3/2010	Chen
D549,602 S	8/2007	Oberrieder et al.	2012/0168471 A1	7/2012	Wilson
D550,105 S	9/2007	Oberrieder et al.	2014/0096345 A1	4/2014	Tschumi
D558,227 S	12/2007	Cho et al.	2014/0098649 A1	4/2014	Tschumi
D560,520 S	1/2008	Oberrieder et al.			
D569,282 S	5/2008	Daniel			
D572,266 S	7/2008	Anderson et al.			
D573,905 S	7/2008	Poirier			
D574,735 S	8/2008	Landman et al.			
D578,922 S	10/2008	Hoshino			
D581,811 S	12/2008	Messmer et al.			
D584,120 S *	1/2009	Smith D8/50			
D584,170 S	1/2009	Morrison			
D586,823 S	2/2009	Anderson et al.			
D588,472 S	3/2009	Messmer et al.			
D589,375 S	3/2009	Tang			
D596,610 S	7/2009	Hou			
7,591,581 B2	9/2009	Lovegrove et al.			
D610,476 S	2/2010	Daniel			
D616,417 S	5/2010	Liao			
7,708,457 B2	5/2010	Girardin et al.			
D631,761 S	2/2011	Barbier			
D637,094 S	5/2011	Cobbett et al.			

FOREIGN PATENT DOCUMENTS

CN	2613171	Y	4/2004
DE	10229050	C1	6/2003
EM	001359301-0002		6/2013
EP	1098231	A1	5/2001
EP	1136010	B1	11/2003
EP	2636328	A1	9/2013
GB	618917	A	3/1949
GB	2047514	A	12/1980
GB	2033807		3/1994
GB	2082277		6/1999
GB	2086601		11/1999
GB	2095450		12/2000
HK	0501949.8		12/2005
HK	1001605.7		12/2010
JP	D1038962		5/1999
JP	D1038963		5/1999

JP	D1088241	10/2000
JP	D1092722	12/2000
JP	D1095359	1/2001
JP	D1115866	7/2001
JP	D1126997	11/2001
JP	D1130391	1/2002
JP	D1194393	1/2004
JP	D1231469	2/2005
JP	D1350052	2/2009
JP	D1350493	2/2009
JP	5479052 B2	4/2014
KR	30-0298089	5/2002
KR	30-0476859	1/2008
KR	30-0476860	1/2008
WO	WO-9117679 A1	11/1991
WO	WO-DM/033704-002	9/1995
WO	WO-DM/041969-001	1/1998
WO	WO-DM/047086-002	5/1999
WO	WO-DM/077452-004	6/2001
WO	WO-DM/061681-002	10/2002
WO	WO-DM/063315-002	5/2003
WO	WO-DM/066491-004	3/2005
WO	WO-DM/068937-006	6/2007
WO	WO-DM/070624-004	10/2008
WO	WO-DM071101	12/2008
WO	WO-DM072215	9/2009
WO	WO-DM/074430-001	11/2010
WO	WO-2013182397 A1	12/2013
WO	WO-2014135709 A2	9/2014

OTHER PUBLICATIONS

Alvarez, Edgar, "Basis Peak to get its smartwatch-like features in December," *engadget.com*, < <http://www.engadget.com/2014/11/20/basis-peak-new-features/>>, dated Nov. 20, 2014, accessed Dec. 15, 2014.

Cool Material, "Braun Square Digital Watch," < <http://web.archive.org/web/20111125033014/http://coolmaterial.com/style/braun-square-digital-watch/>>, dated Nov. 25, 2011, accessed Dec. 18, 2014.

Emily, "Nixon—The Newton Digital," < <http://www.freshnessmag.com/2009/09/08/nixon-the-newton-digital/>>, *freshnessmag.com*, dated Sep. 8, 2009, accessed Oct. 9, 2014.

Fitbit, "Fitbit Surge™ Fitness Super Watch" < <https://www.fitbit.com/surge>>, accessed Dec. 15, 2014.

Geekbuying.com, "Makibes unisex red led digital wrist watch with square case silicone watchband—white," < <http://www.geekbuying.com/item/Unisex-Red-LED-Digital-Wrist-Watch-with-Square-Case-Silicone-Watchband---White-326443.html>>, accessed Oct. 9, 2014.

Haedges, "1 Set Silver End Cap Clasp—Findings Large Toggle Clasp End Caps Buckle Connector with Five Inside Loops for Jewelry Making 26mm," < <http://www.etsy.com/listing/101269004/1-set-silver-end-cap-clasp-findings?ref=market>>, Listed on Aug. 29, 2014, accessed Oct. 9, 2014.

Hodinkee.com, "Apple iPod Nano Now Available With Mickey Mouse Dial, Also Cheesy, Mechanically Inaccurate Open-Worked Dial," < <http://web.archive.org/web/20111006043916/http://www.hodinkee.com/blog/2011/10/5/apple-ipod-nano-now-available-with-mickey-mouse-dial-also-ch.html>>, dated Oct. 6, 2011, accessed Dec. 18, 2014.

Homego, "M6 Silver Smart Watch Cell Phone 1.54 inch Bluetooth 3.0 Dialer Outdoor Sports Pedometer," *amazon.com*, < <http://www.amazon.com/Silver-Bluetooth-Dialer-Outdoor-Pedometer/dp/B00MQTBGK6>>, accessed Dec. 15, 2014.

Ikepod, "Original Ikepod Watch With GMT—Marc Newson Design," *Watchbox.be*, < <http://www.watchbox.be/prod/Others-Watches/Marc%20Newson%20Design/item7165.htm#.VJLm2fAo5D8>>, accessed Dec. 17, 2014.

Ipod Nano Watch Band Metal, < <http://trend-kid.com/ipod-nano-watch-band-orange.htm>>, accessed Dec. 5, 2014.

LG Life's Good, "LG G Watch (W100)," < <http://www.lg.com/us/smart-watches/lg-W100-g-watch>>, accessed Dec. 18, 2014.

Metawatch, "FRAME—Black (MW3005)," < <http://meta.watch/collections/smartwatch-all/products/frame-ss-black-leather>>, accessed Dec. 15, 2014.

Omate, "Omate TrueSmart: Water-resistant standalone Smartwatch 2.0," < <http://www.kickstarter.com/projects/omate/omate-truesmart-water-resistant-standalone-smartwa>>, dated Aug. 21, 2013, accessed Oct. 8, 2014.

Omate, "The TrueSmart™ is the world's first standalone smartwatch 2.0 running on top of Android and OUI 2.0," < <http://www.omate.com/product.html>>, accessed Dec. 15, 2014.

[Online] <http://i1-news.softpedia-static.com/images/news2/The-Chips-for-Apple-s-Smartwatch-Are-Entering-Production-464937-2.jpg> Retrieved on Feb. 17, 2015.

Pebble, "Pebble Smartwatch," *getpebble.com*, < <https://getpebble.com/checkout>>, accessed Dec. 15, 2014.

Samsung, "Samsung Gear™ 2 Charcoal Black SM-R3800VSAXAR," < <http://www.samsung.com/us/mobile/wearable-tech/SM-R3800VSAXAR>>, accessed Dec. 15, 2014.

Samsung, "Samsung Gear S™, (Sprint), Black SM-R750PZKASPR," < <http://www.samsung.com/us/mobile/wearable-tech/SM-R750PZKASPR>>, accessed Dec. 15, 2014.

Samsung, "Galaxy Gear™ Live, Black SM-R3820ZKAXAR," < <http://www.samsung.com/us/mobile/wearable-tech/SM-R3820ZKAXAR>>, accessed Dec. 15, 2014.

Sony, "SmartWatch," < <http://www.sonymobile.com/us/products/accessories/smartwatch/>>, accessed Dec. 15, 2014.

Sony, "SmartWatch 3 SWR50," < <http://www.sonymobile.com/us/products/smartwear/smartwatch-3-swr50/>>, accessed Dec. 15, 2014.

Stables, James, "Clevercare smartwatch aims to help Alzheimer's suffers and carers: Revamped Sony SmartWatch 2 designed for users that need care," *Wearable News*, < <http://www.wearable.com/wearable-tech/clevercare-smartwatch-aims-to-help-alzheimers-suffers-and-carers-585>>, dated Dec. 15, 2014.

Suunto D6 Replacement Stainless Metal Watch Band Bracelet SS013525000 w/ Free Shipping and Handling, < <http://www.opticsplanet.com/suunto-d6-replacement-stainless-bracelet.html>>, accessed Dec. 5, 2014.

Ted Baker, "Ted Baker Men's TE1054 Time Flies Contemporary Square Digital Case Watch," < <http://www.amazon.com/Ted-Baker-TE1054-Contemporary-Digital/dp/B0045CRTYO%3FSubscriptionId%3DAKIAJ3U4YRIBWCGGKZ2A%26tag%3Dfrases365-20%26linkCode%3Dsp1%26camp%3D2025%26creative%3D165953%26creativeASIN%3DB0045CRTYO>>, accessed Oct. 9, 2014.

Thomas Ricker, "Nike's Amp+ watch: hearts your heart and iPod, too," Oct. 5, 2007, < <http://www.engadget.com/2007/10/05/nikes-amp-watch-hearts-your-heart-and-ipod-too/>>, accessed Dec. 17, 2014.

Twist-O-Flex Radial (16-21mm, Stainless Steel), < <http://www.thewatchprince.com/Speidel-Twist-O-Flex-Expansion-Radial-Stainless>>, accessed Dec. 5, 2014.

Velazco, Chris, "ASUS ZenWatch review: subtle and stylish, with a few shortcomings," *Engadget.com*, < <http://www.engadget.com/2014/12/11/asus-zenwatch-review/>>, dated Dec. 11, 2014, accessed Dec. 15, 2014.

Watches Infoniac.com, "Hermes Carre H Watch—Extremely Contemporary Design," < <http://watches.infoniac.com/carre-h-watch-hermes.html>>, dated Aug. 13, 2010, accessed Dec. 18, 2014.

Watchismo, "Braun BN0042 Black Date Leather," < <http://web.archive.org/web/20130815073830/http://www.watchismo.com/braun-bn0042bkbk.aspx>>, dated Aug. 15, 2013, accessed Dec. 18, 2014.

* cited by examiner

Primary Examiner — Antoine Duval Davis
(74) Attorney, Agent, or Firm — Sterne, Kessler, Goldstein & Fox P.L.L.C.

(57) CLAIM

The ornamental design for a wearable device, as shown and described.

DESCRIPTION

FIG. 1 is a bottom front perspective view of a wearable device showing the claimed design;

FIG. 2 is a top rear perspective view thereof;
FIG. 3 is a bottom view thereof;
FIG. 4 is a top view thereof;
FIG. 5 is a front view thereof;
FIG. 6 is a rear view thereof;
FIG. 7 is a right side view thereof; and,
FIG. 8 is a left side view thereof.
The broken lines in the figures show portions of the wearable device that form no part of the claimed design.

1 Claim, 4 Drawing Sheets

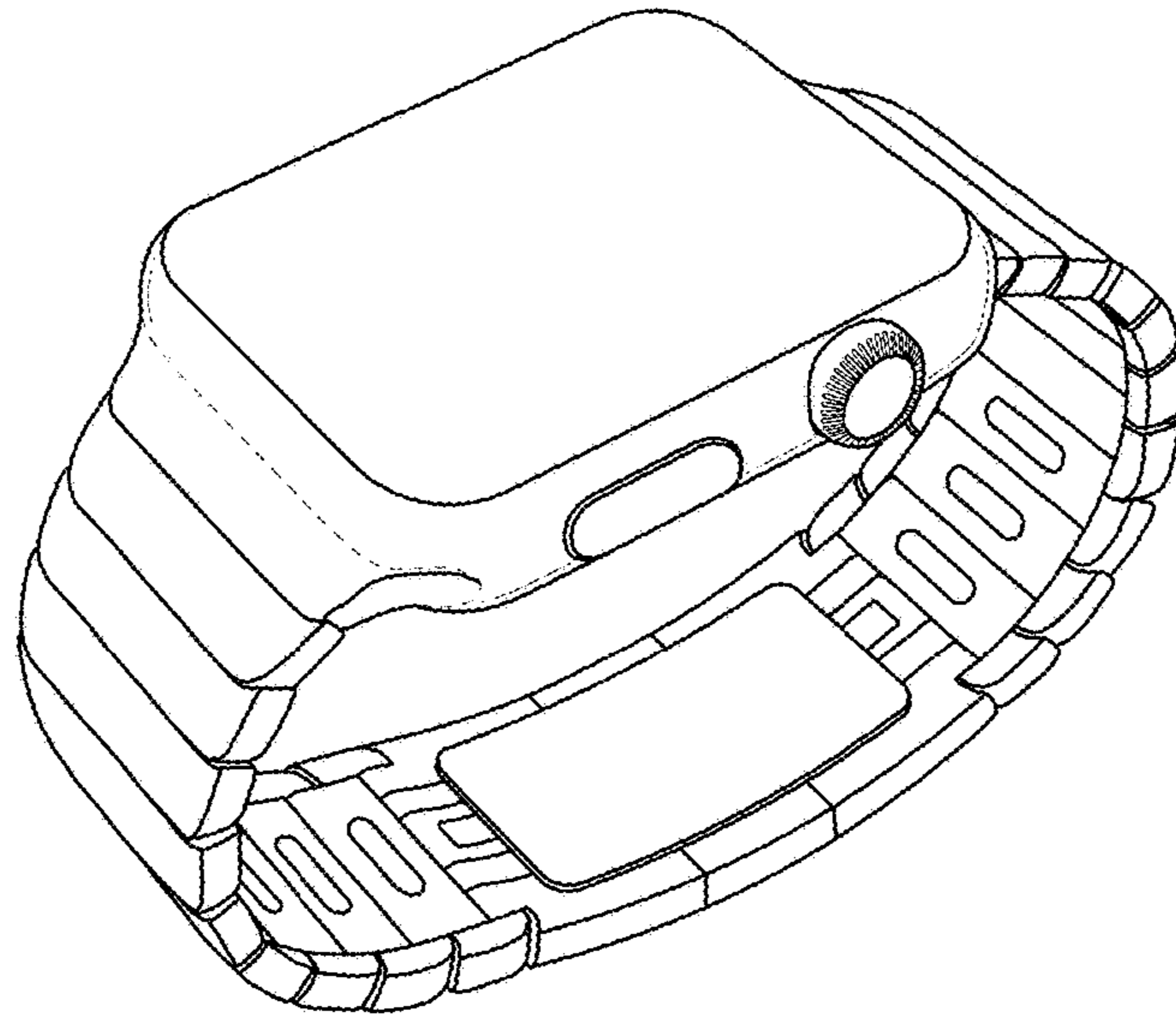


FIG. 1

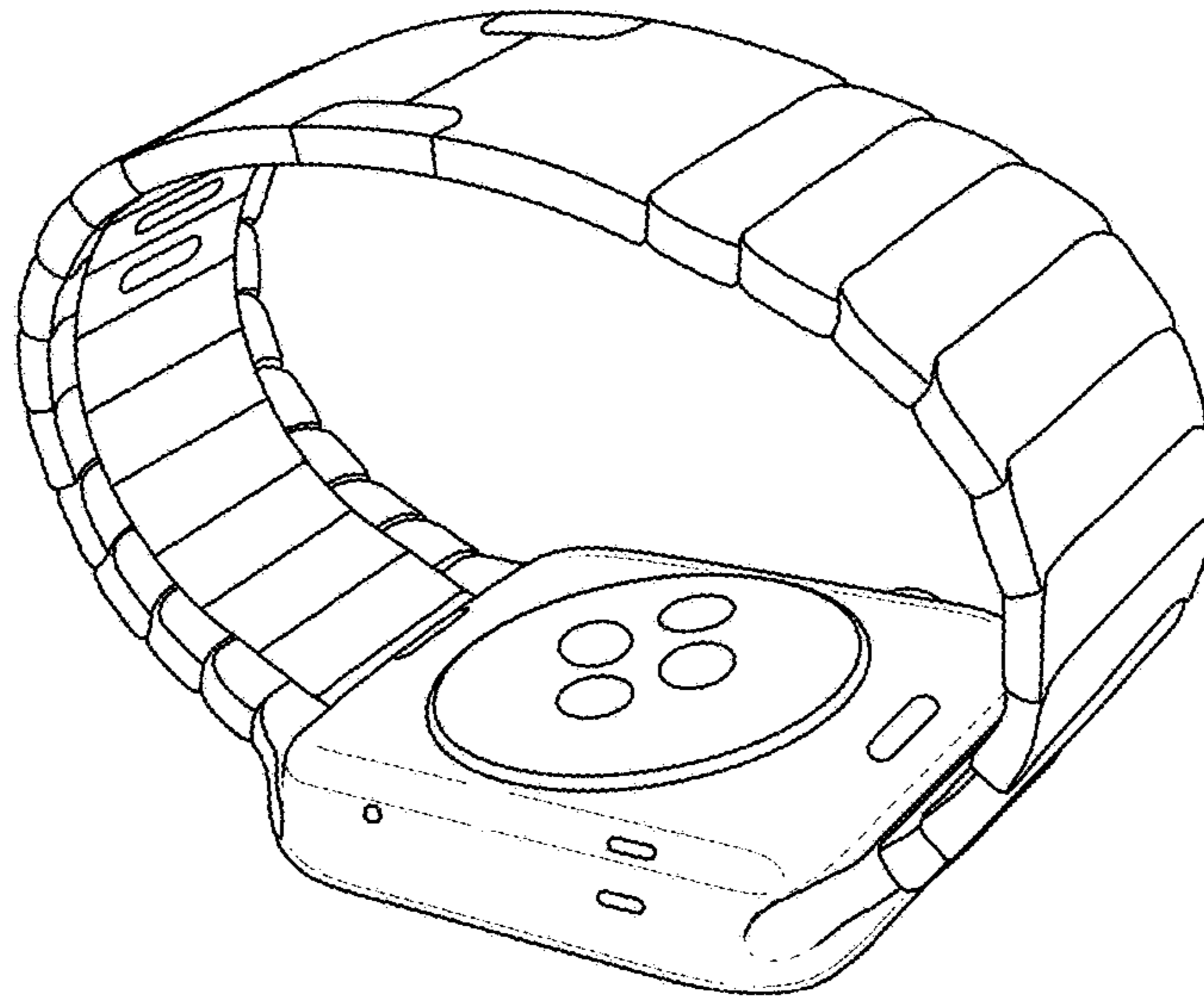


FIG. 2

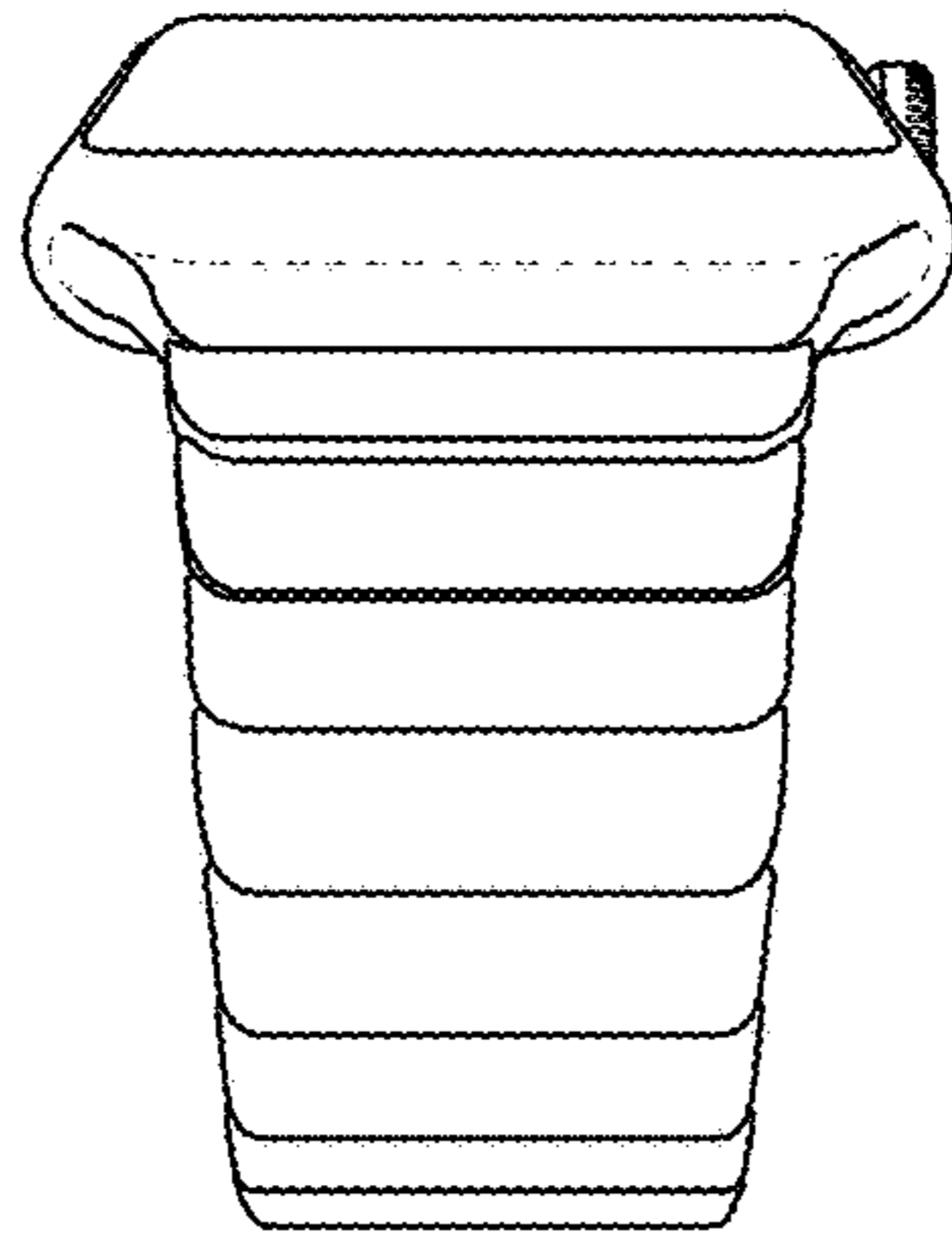


FIG. 3

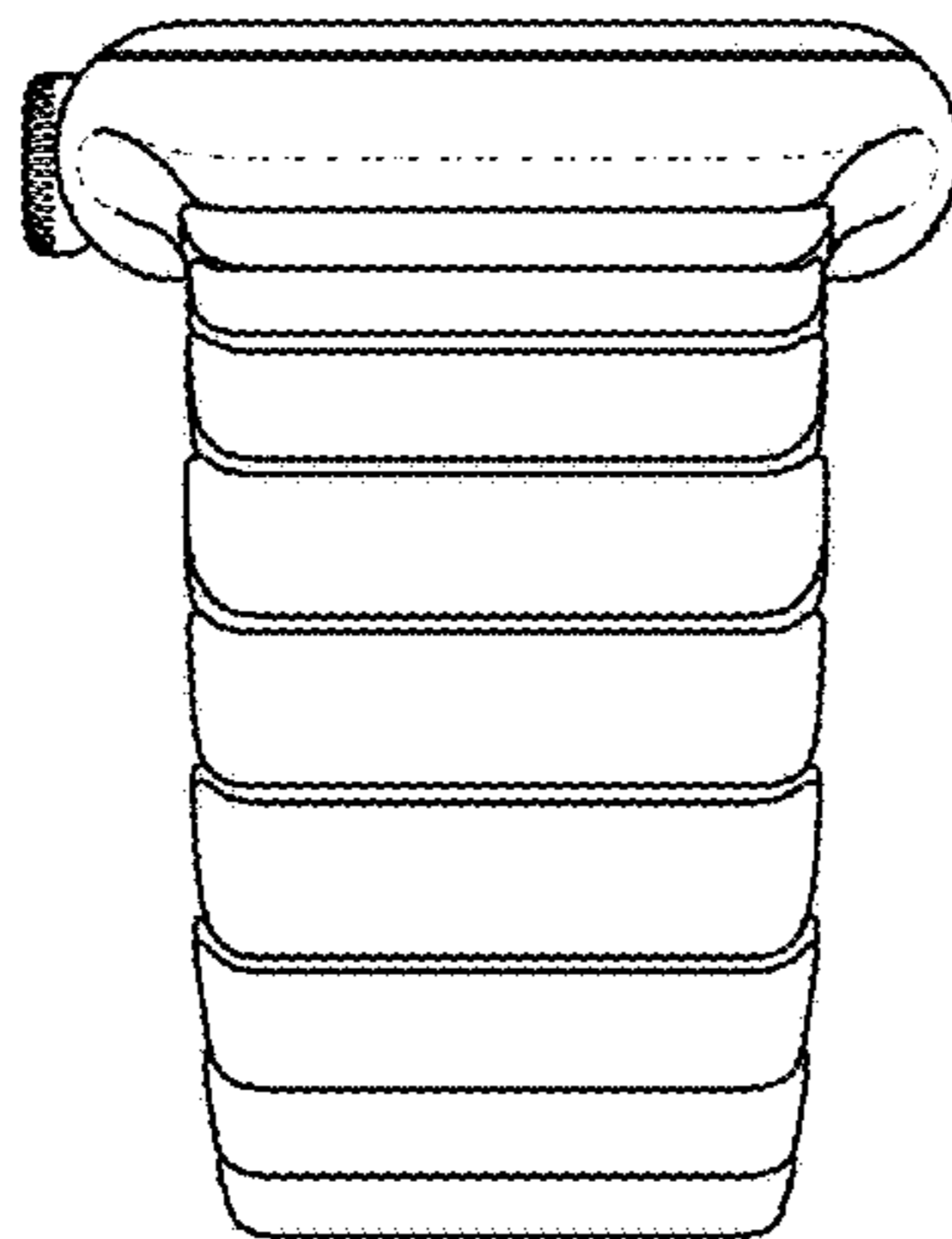


FIG. 4

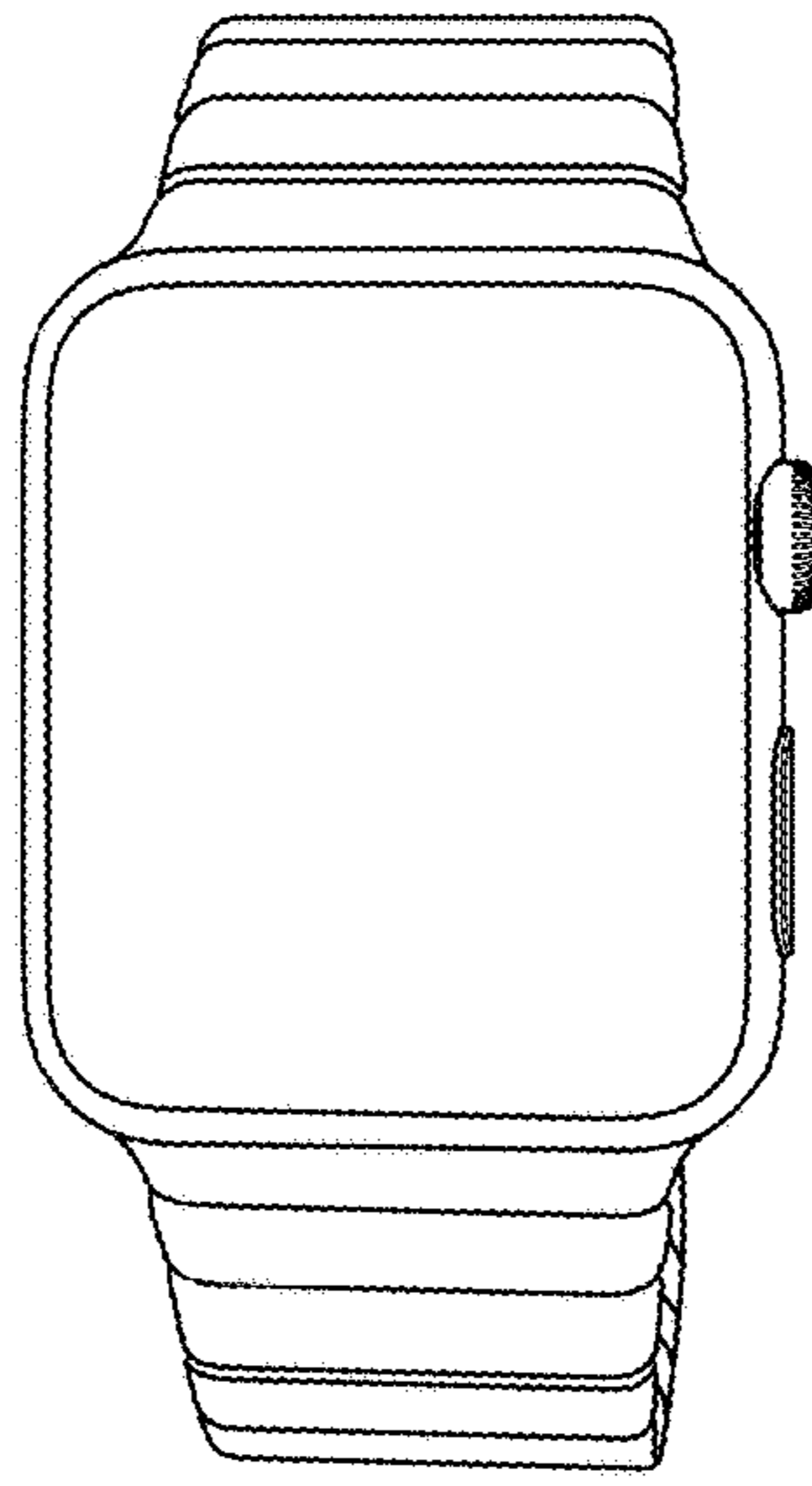


FIG. 5

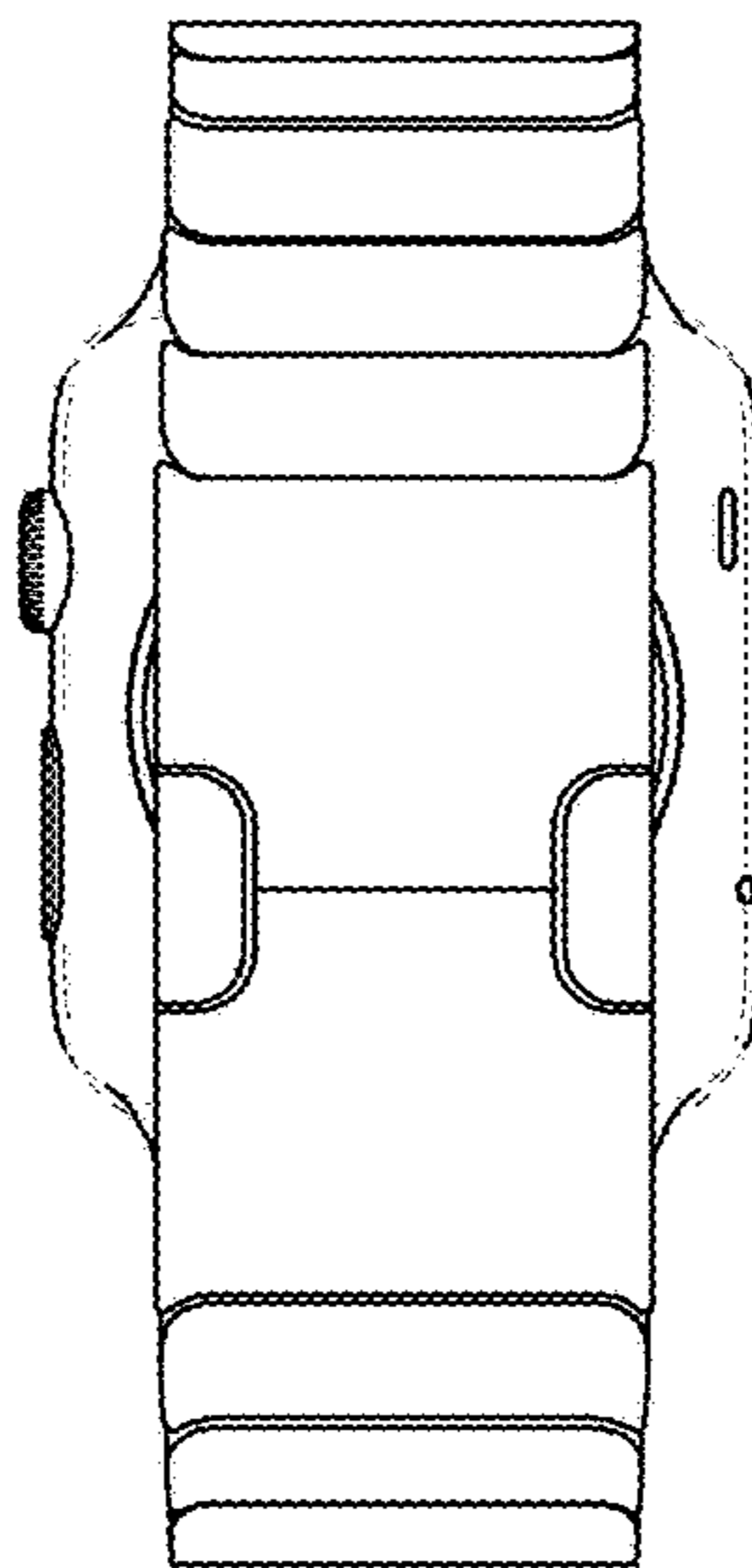


FIG. 6

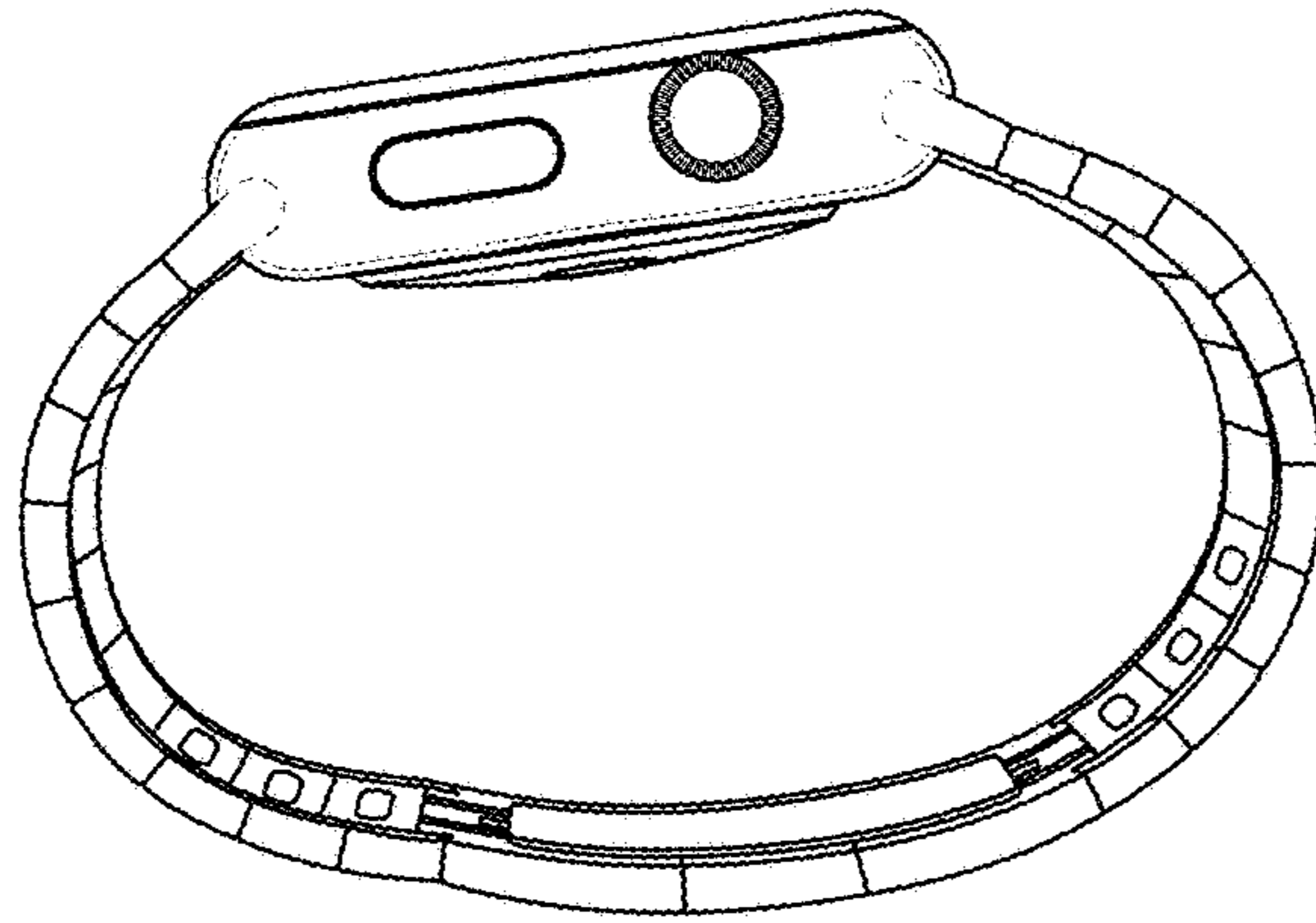


FIG. 7

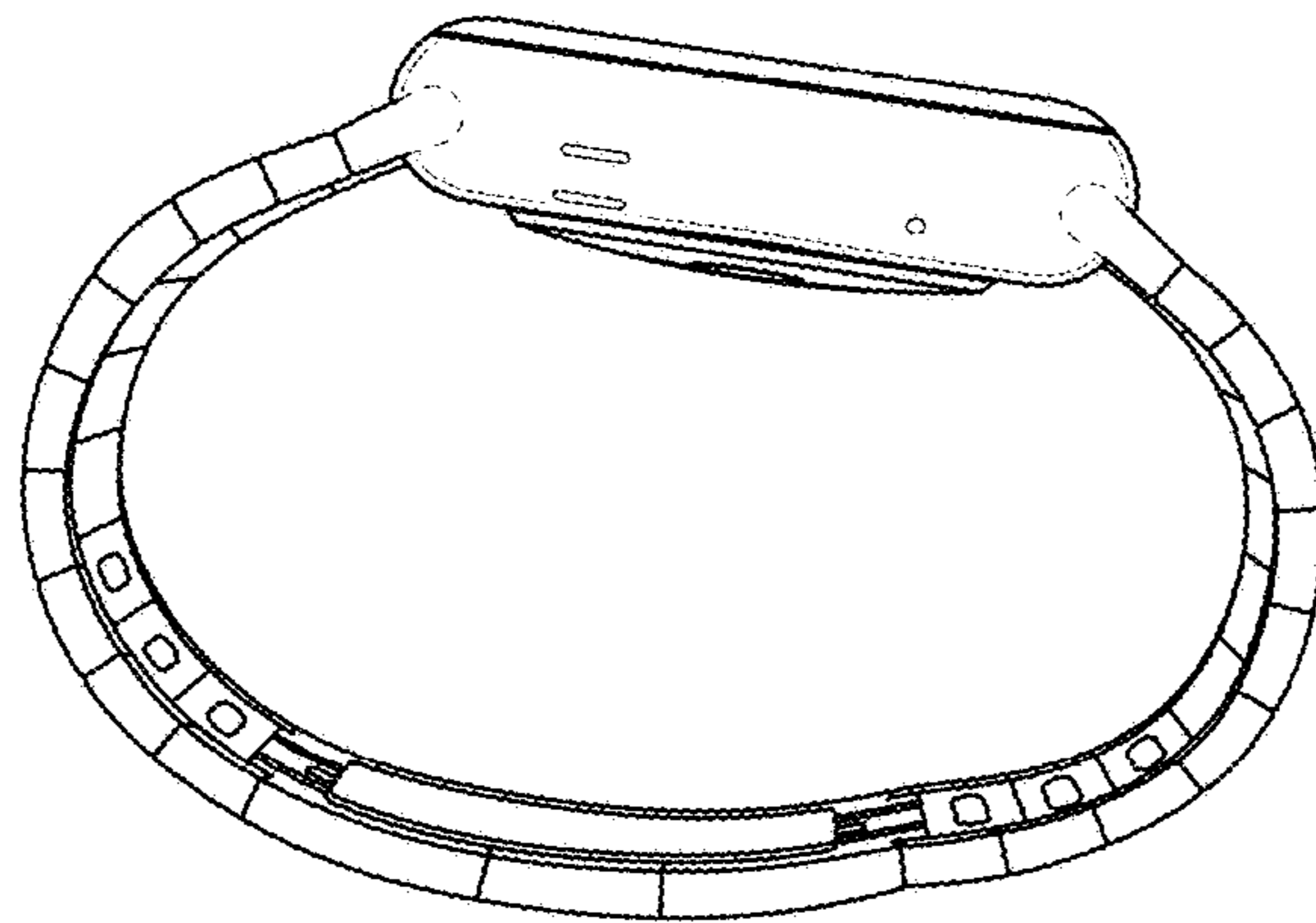


FIG. 8