



US00D850943S

(12) **United States Design Patent**  
**Gill**

(10) **Patent No.:** **US D850,943 S**

(45) **Date of Patent:** **\*\* Jun. 11, 2019**

(54) **WEARABLE TRACKING DEVICE**

(71) Applicant: **T-Mobile USA, Inc.**, Bellevue, WA (US)

(72) Inventor: **Dolores Gill**, Bellevue, WA (US)

(73) Assignee: **T-Mobile USA, Inc.**, Bellevue, WA (US)

(\*\*) Term: **15 Years**

(21) Appl. No.: **29/629,516**

(22) Filed: **Dec. 13, 2017**

(51) **LOC (11) Cl.** ..... **10-04**

(52) **U.S. Cl.**  
USPC ..... **D10/70**

(58) **Field of Classification Search**  
USPC ..... D10/65, 70  
CPC .... G08B 13/126; G08B 13/128; G08B 13/14;  
G08B 13/1427; G08B 13/1409; G08B  
13/1436; G08B 13/1445; G08B 13/1463;  
G08B 13/1472; G08B 13/1481; G08B  
13/149; G08B 13/2428; G08B 13/2434;  
G08B 13/2437; G08B 21/24; G09F 3/18;  
G09F 3/185; G09F 3/20; G09F 3/201;  
G09F 3/202; G09F 3/203; G09F 3/204;  
G09F 3/205; G09F 3/206; G09F 3/207;  
G09F 3/208

See application file for complete search history.

(56) **References Cited**

**U.S. PATENT DOCUMENTS**

D756,816 S \* 5/2016 Langton ..... D10/65  
D802,454 S \* 11/2017 Paschke ..... D10/70  
D803,077 S \* 11/2017 Paschke ..... D10/70

\* cited by examiner

*Primary Examiner* — Antoine Duval Davis

(74) *Attorney, Agent, or Firm* — Han Santos, PLLC

(57) **CLAIM**

The ornamental design for a wearable tracking device, as shown and described.

**DESCRIPTION**

FIG. 1 is a perspective view of an illustrative wearable tracking device taken from the top, right, and front in a representative environment, and illustrating a first orientation;

FIG. 2 is another perspective view of the wearable tracking device taken from the top, right, and front in isolation, and showing the wearable tracking device as it appears with the end cap disconnected from the body of the wearable tracking device;

FIG. 3 is another perspective view of the wearable tracking device taken from the top, left, and back in the representative environment, and illustrating a second orientation;

FIG. 4 is another perspective view of the wearable tracking device taken from the top, left, and back in isolation, and showing the wearable tracking device as it appears with the end cap disconnected from the body of the wearable tracking device;

FIG. 5 is a front elevation view of the wearable tracking device of FIG. 1 in isolation;

FIG. 6 is a back elevation view of the wearable tracking device of FIG. 1 in isolation;

FIG. 7 is a right side elevation view of the wearable tracking device of FIG. 1 in isolation;

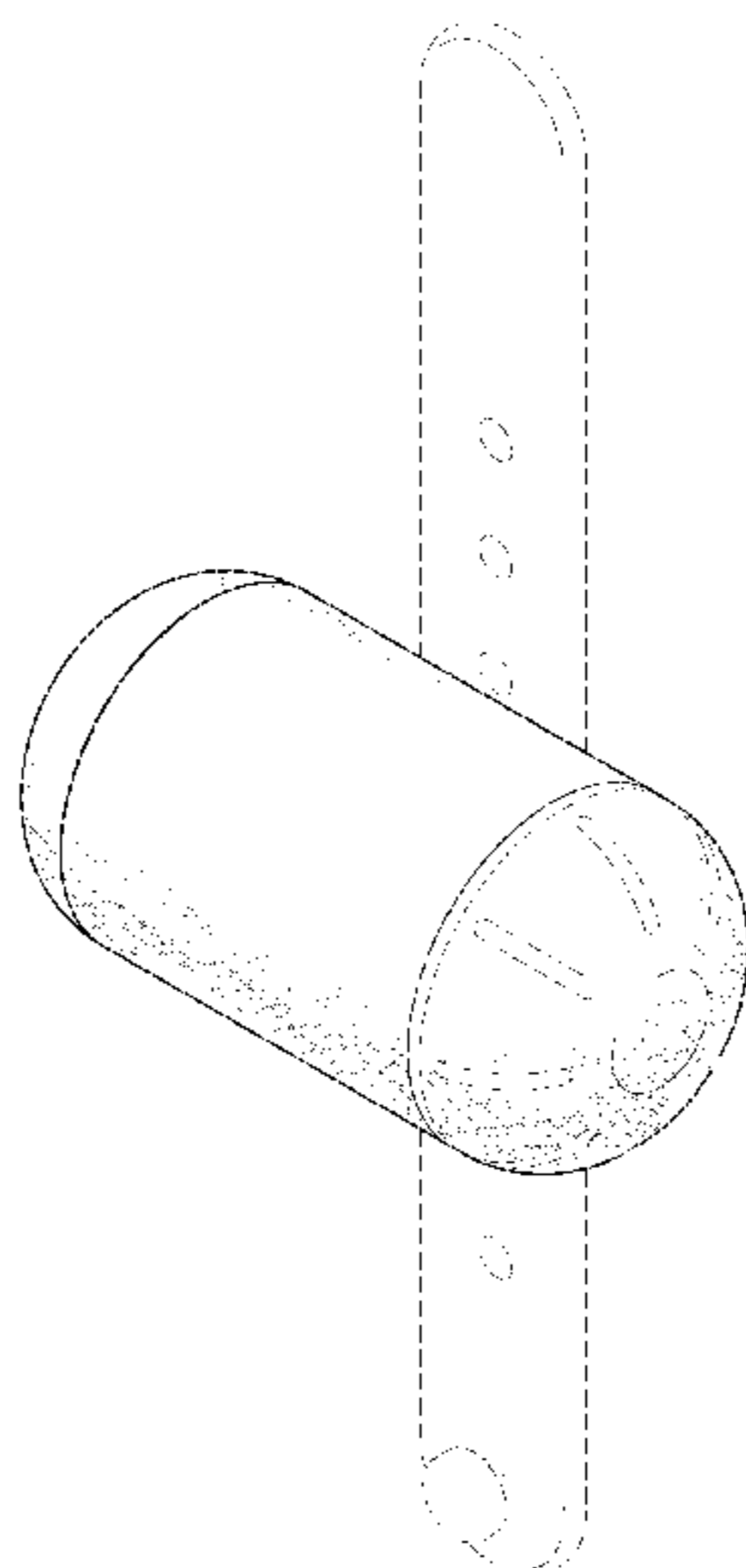
FIG. 8 is a left side elevation view of wearable tracking device of FIG. 1 in isolation;

FIG. 9 is a top plan view of the wearable tracking device of FIG. 1 in isolation; and,

FIG. 10 is a bottom plan view of the wearable tracking device of FIG. 1 in isolation.

The broken lines shown in the drawings are directed to environment or illustrate portions of the wearable tracking device that form no part of the claimed design.

**1 Claim, 7 Drawing Sheets**



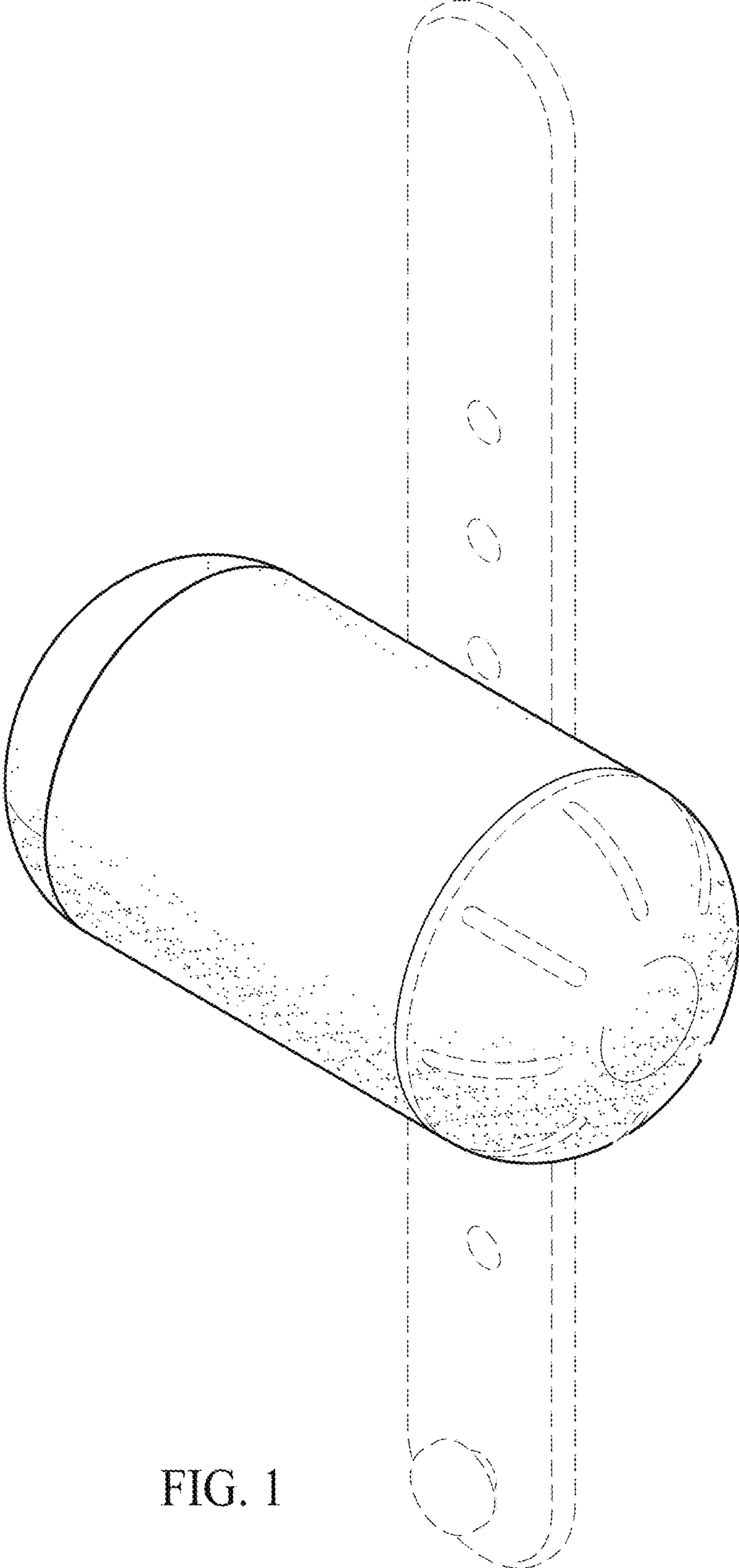


FIG. 1

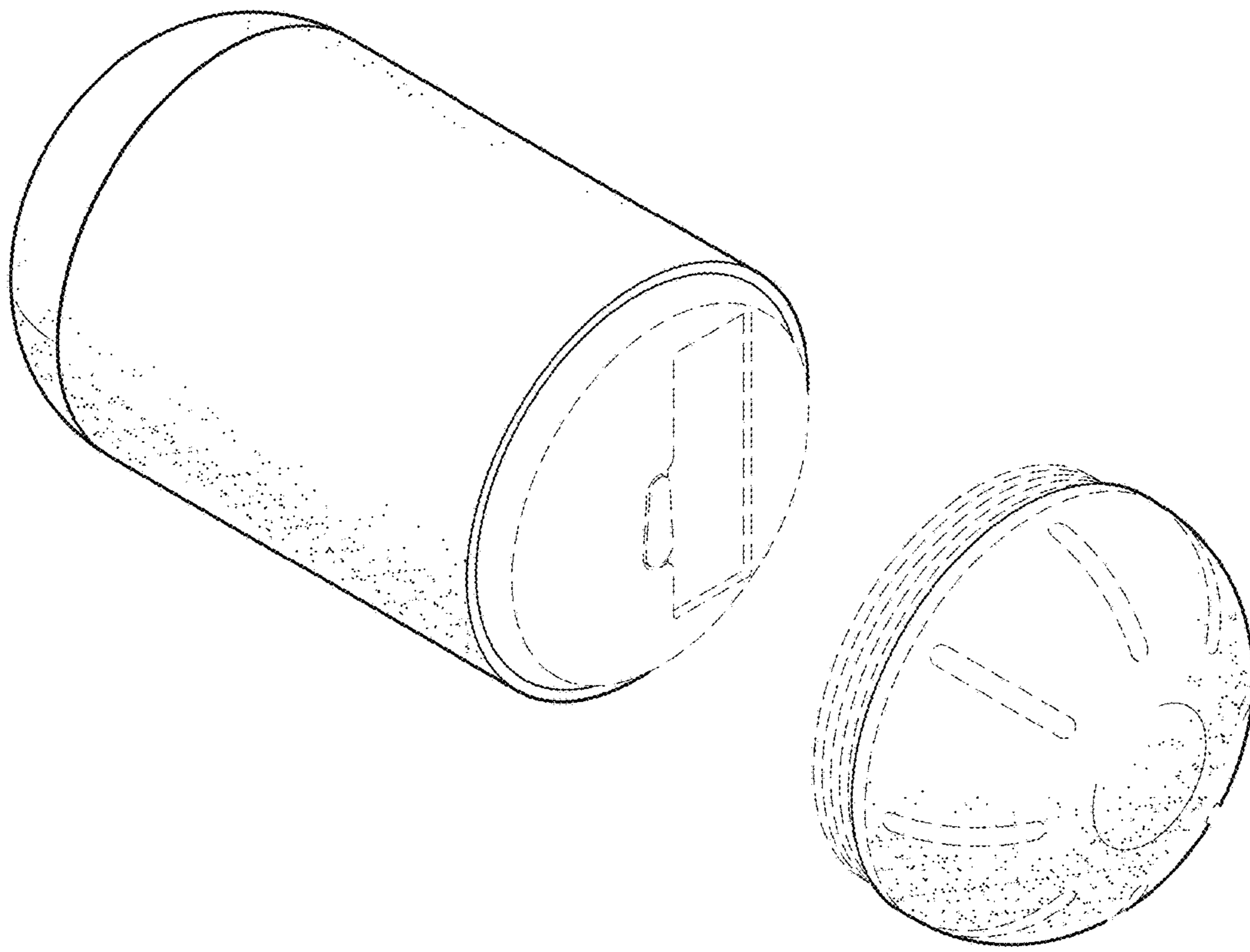


FIG. 2

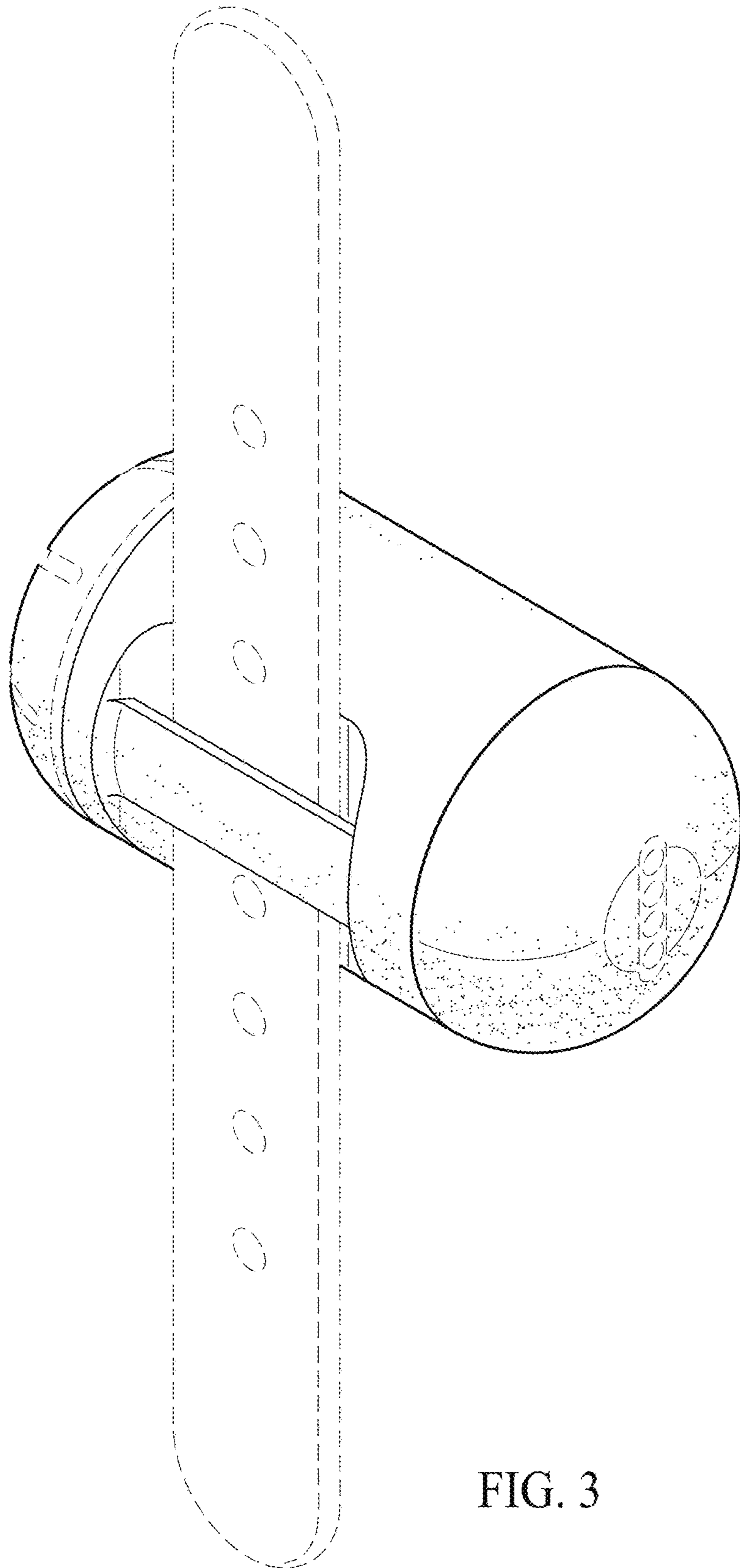


FIG. 3

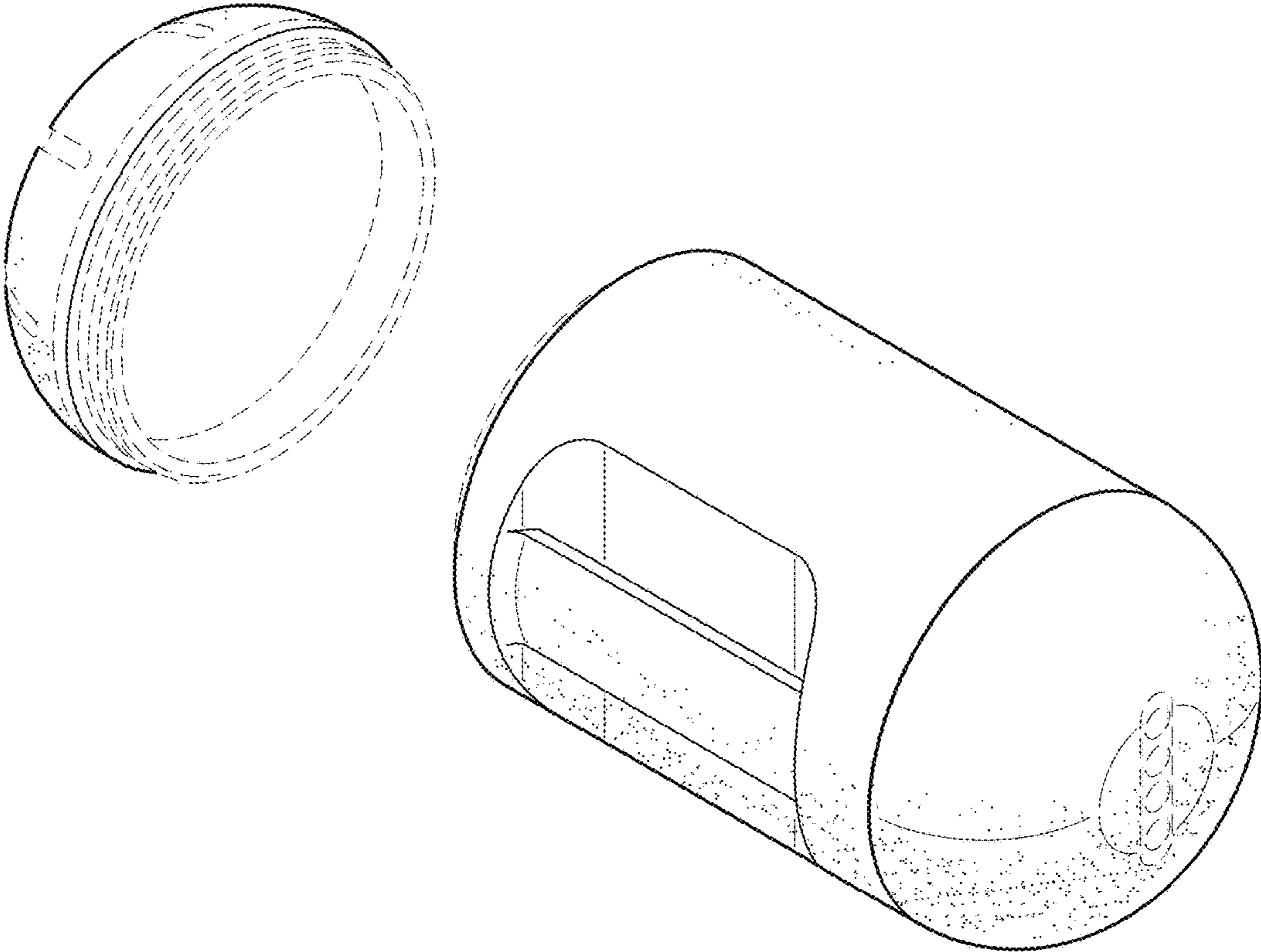


FIG. 4

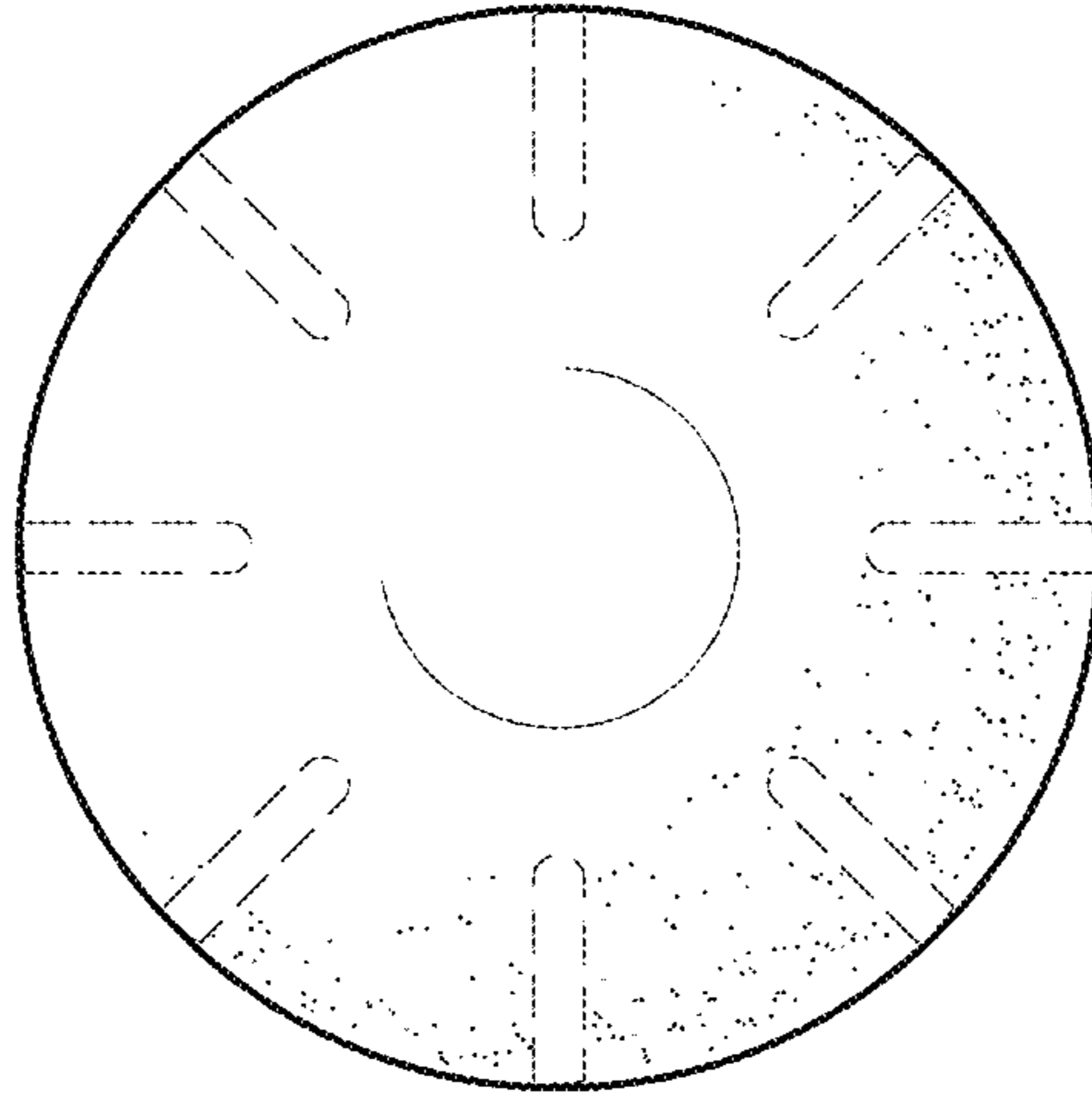


FIG. 5

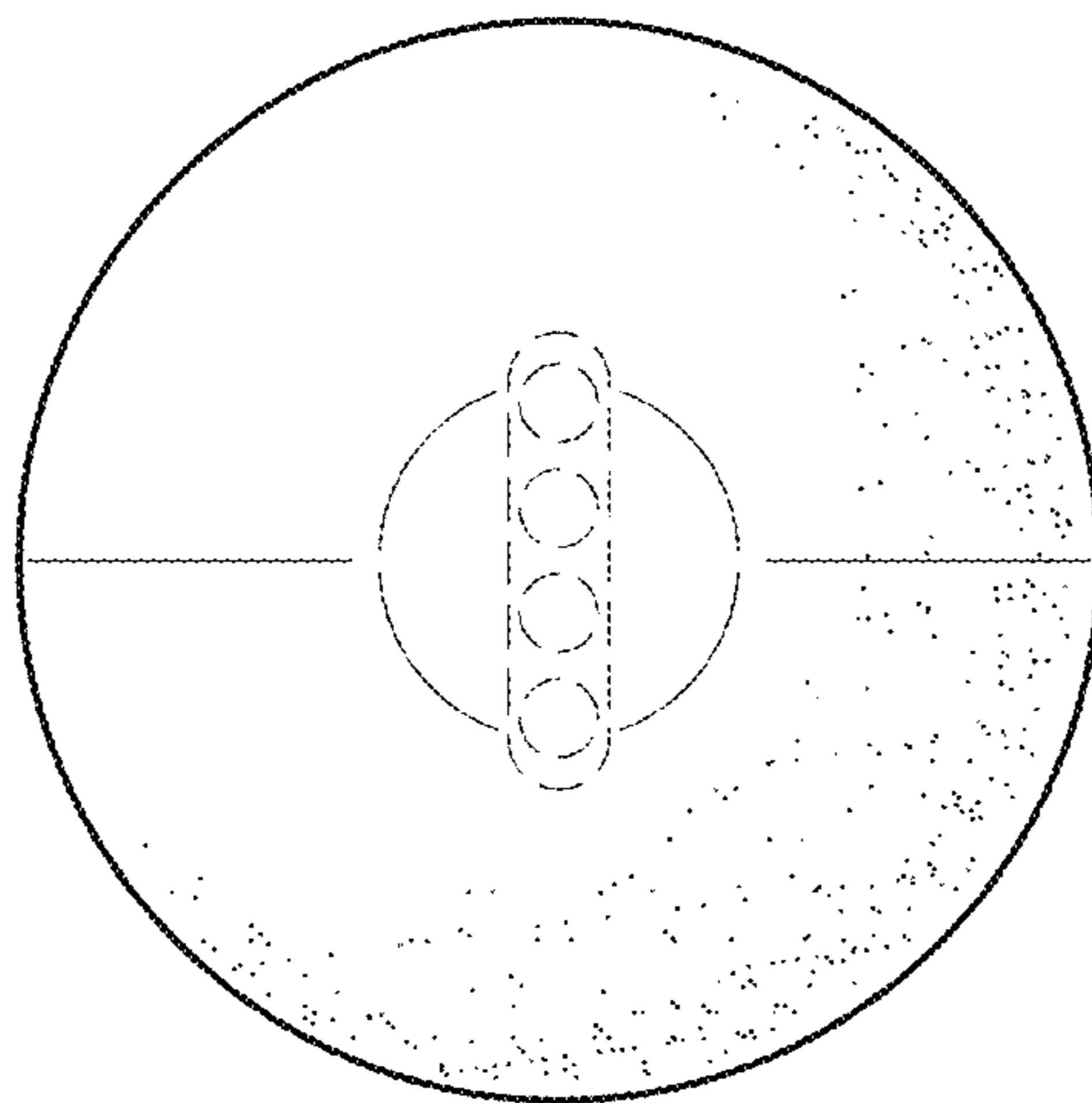


FIG. 6



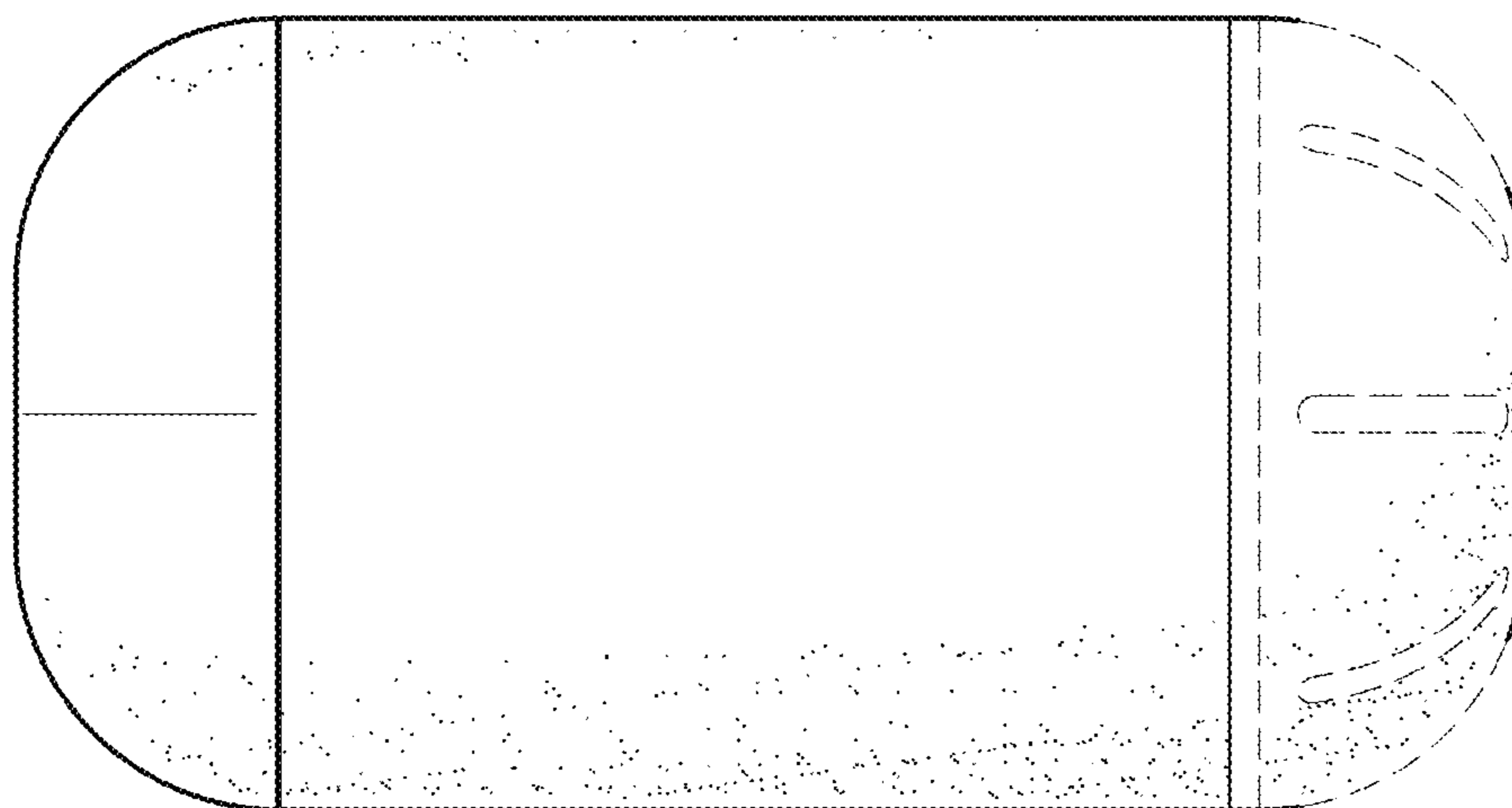


FIG. 7

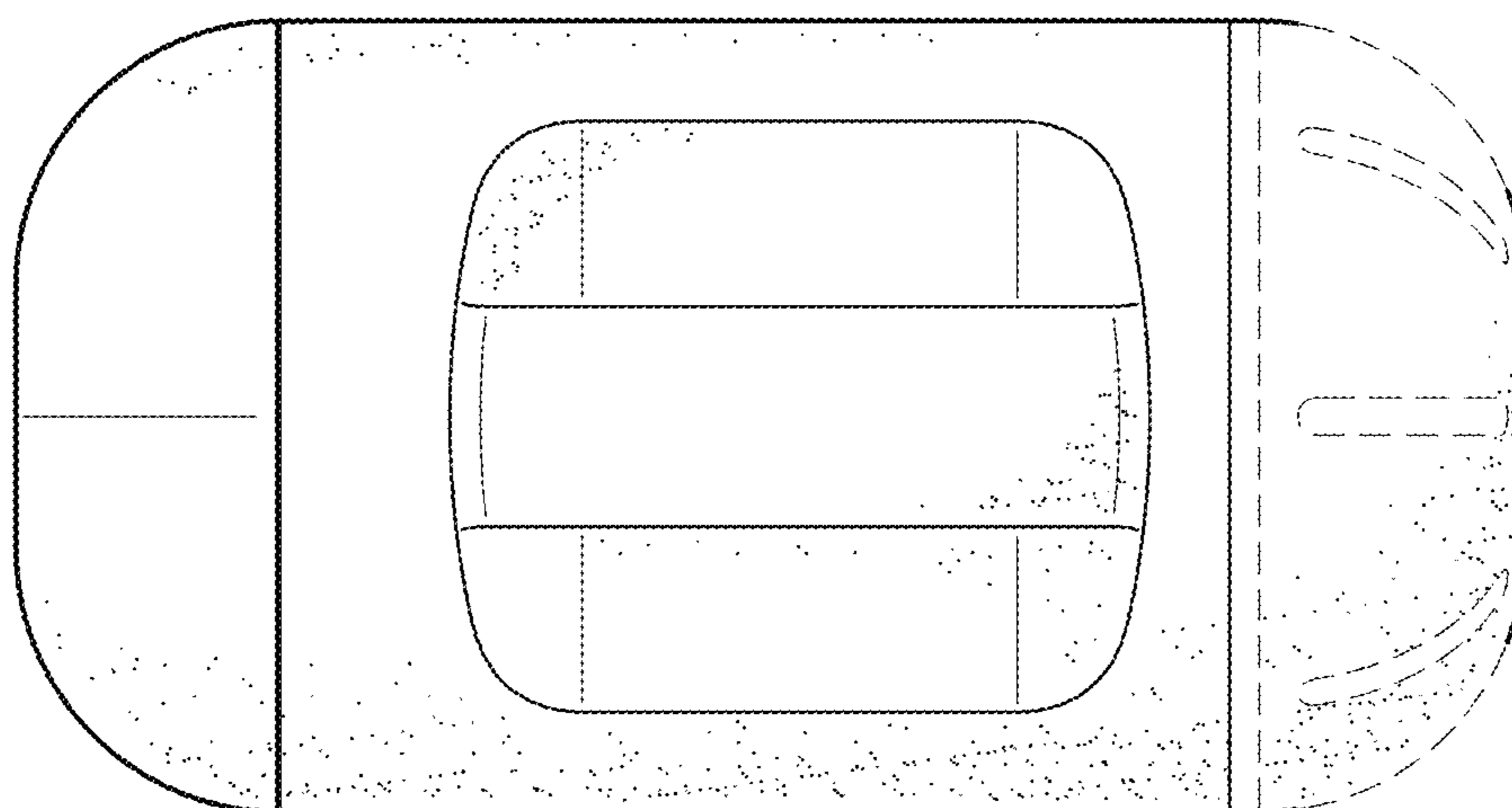


FIG. 8

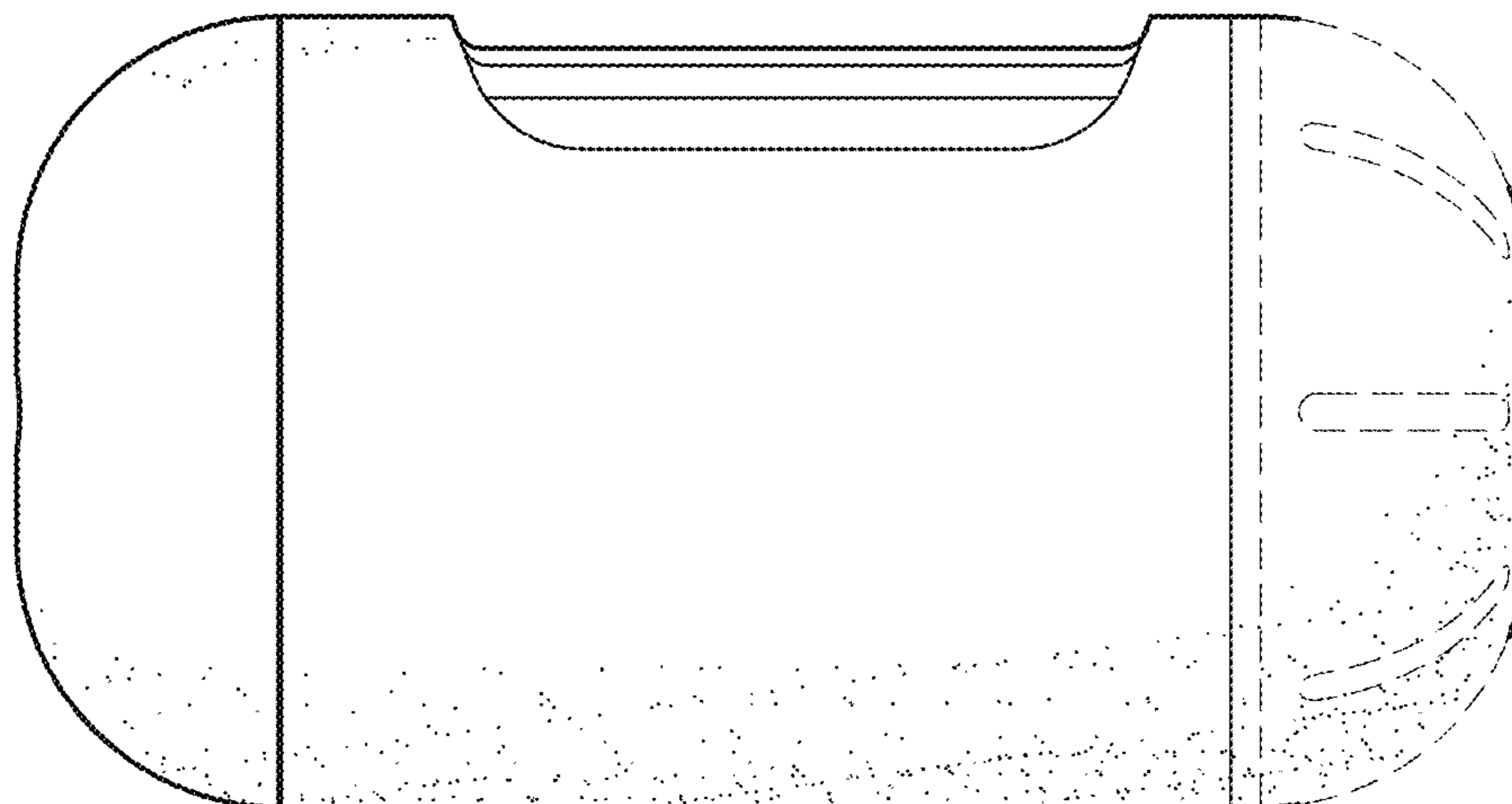


FIG. 9

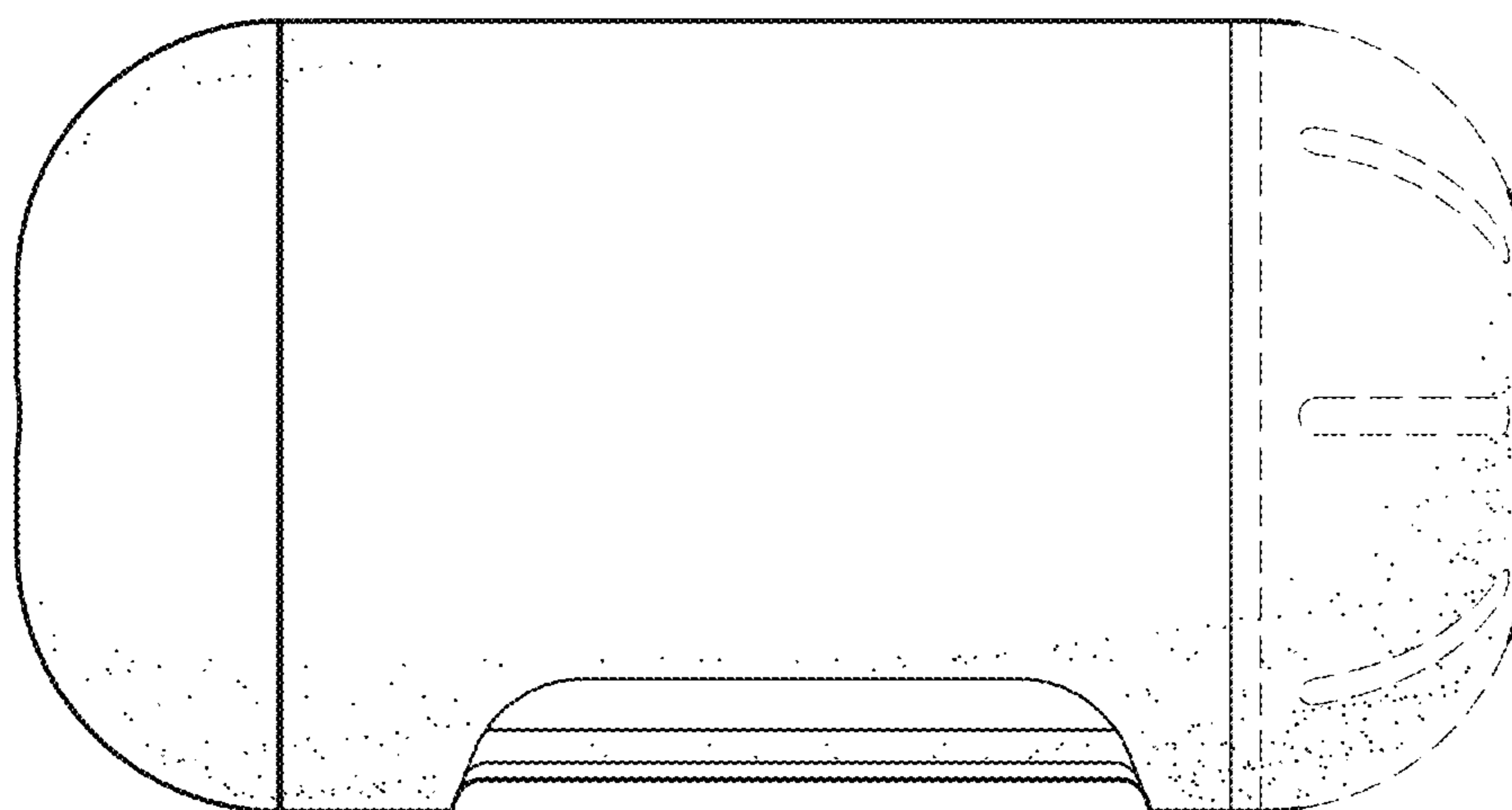


FIG. 10