



US00D850942S

(12) **United States Design Patent**
Corrigan et al.

(10) **Patent No.:** **US D850,942 S**
(45) **Date of Patent:** **** Jun. 11, 2019**

(54) **LASER LEVEL**

(71) Applicant: **Fluke Corporation**, Everett, WA (US)

(72) Inventors: **Christopher D. Corrigan**, Seattle, WA (US); **Nelson Abaga**, Lake Stevens, WA (US)

(73) Assignee: **Fluke Corporation**, Everett, WA (US)

(**) Term: **15 Years**

(21) Appl. No.: **29/635,564**

(22) Filed: **Jan. 31, 2018**

(51) **LOC (11) Cl.** **10-04**

(52) **U.S. Cl.**
USPC **D10/69**

(58) **Field of Classification Search**
USPC D10/69
CPC G01C 15/00; G01C 15/002; G01C 15/004;
G01C 15/006; G01C 15/008; G01C
15/02; G01C 15/04; G01C 15/06; G01C
15/08; G01C 15/10; G01C 15/105; G01C
15/12; G01C 15/14

See application file for complete search history.

(56) **References Cited**

U.S. PATENT DOCUMENTS

D537,373	S	*	2/2007	Lin	D10/69
D626,020	S	*	10/2010	Sabaschkow	D10/69
D730,206	S	*	5/2015	Silberberg	D10/69
D807,210	S	*	1/2018	Moe	D10/69

OTHER PUBLICATIONS

Fluke, "Technical Data, Fluke Laser Levels", Apr. 2017, 6008139d-en, Fluke Corporation, 3 pages.

* cited by examiner

Primary Examiner — Antoine Duval Davis

(74) *Attorney, Agent, or Firm* — Seed Intellectual Property Law Group LLP

(57) **CLAIM**

The ornamental design for a laser level, as shown and described.

DESCRIPTION

FIG. 1 is a top, front right perspective view of a laser level showing our new design.

FIG. 2 is a bottom, rear left perspective view thereof.

FIG. 3 is a front elevation view thereof.

FIG. 4 is a right side elevation view thereof.

FIG. 5 is a top plan view thereof.

FIG. 6 is a left side elevation view thereof.

FIG. 7 is a rear elevation view thereof.

FIG. 8 is a bottom plan view thereof.

FIG. 9 is a top, front right perspective view of another embodiment of a laser level showing our new design.

FIG. 10 is a bottom, rear left perspective view thereof.

FIG. 11 is a front elevation view thereof.

FIG. 12 is a right side elevation view thereof.

FIG. 13 is a top plan view thereof.

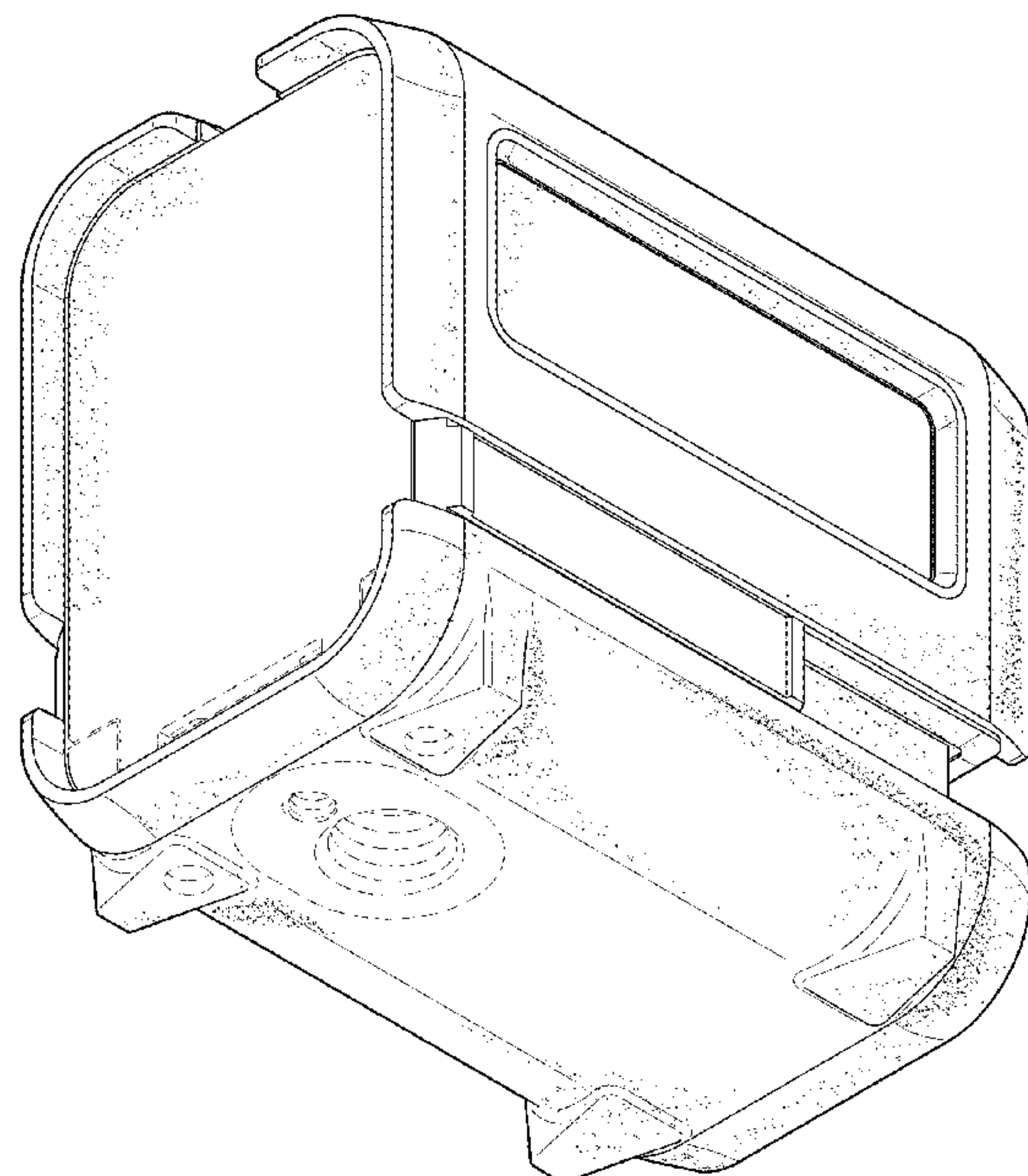
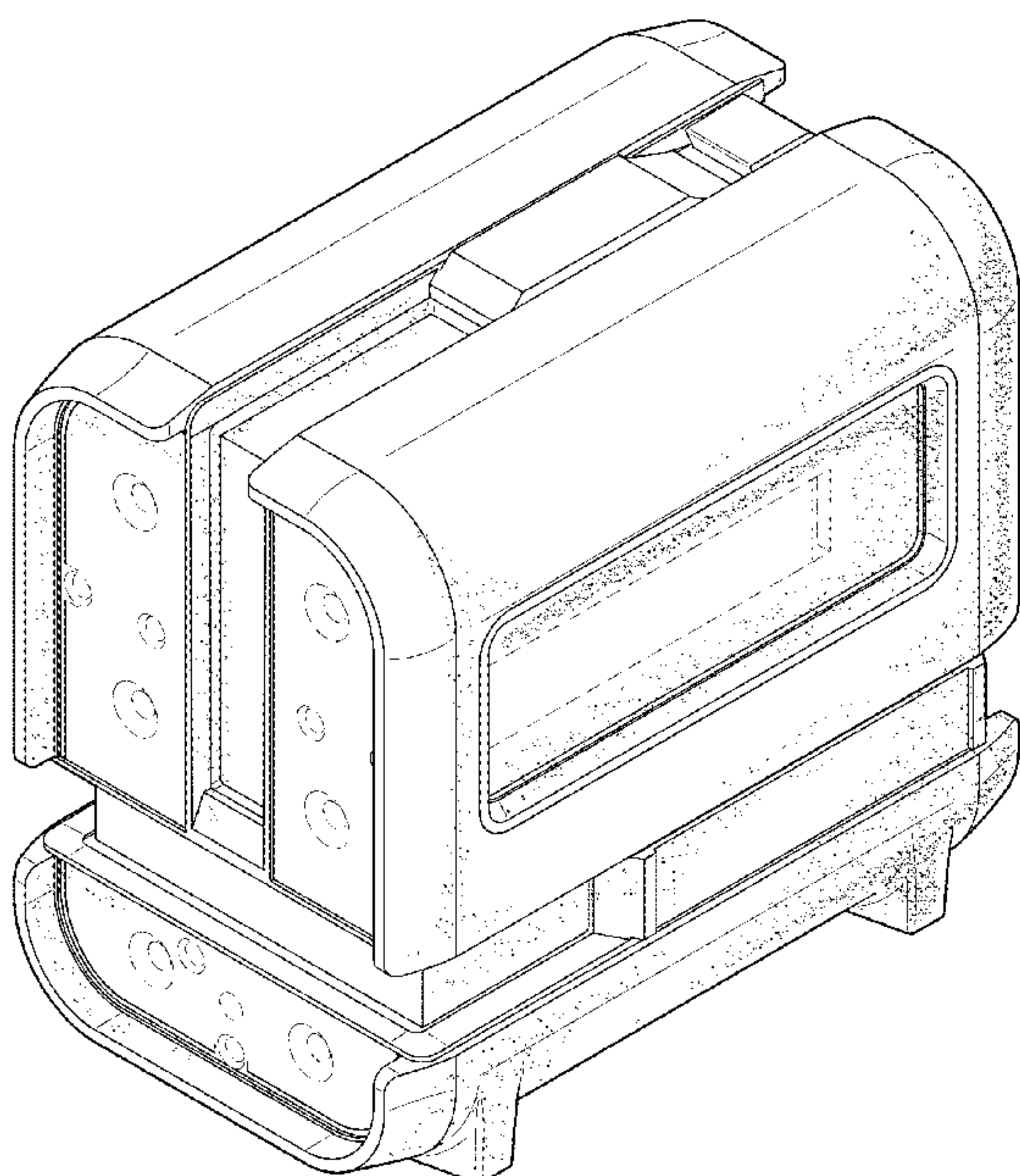
FIG. 14 is a left side elevation view thereof.

FIG. 15 is a rear elevation view thereof; and,

FIG. 16 is a bottom plan view thereof.

The broken lines in the figures illustrate environment only and form no part of the claimed design.

1 Claim, 16 Drawing Sheets



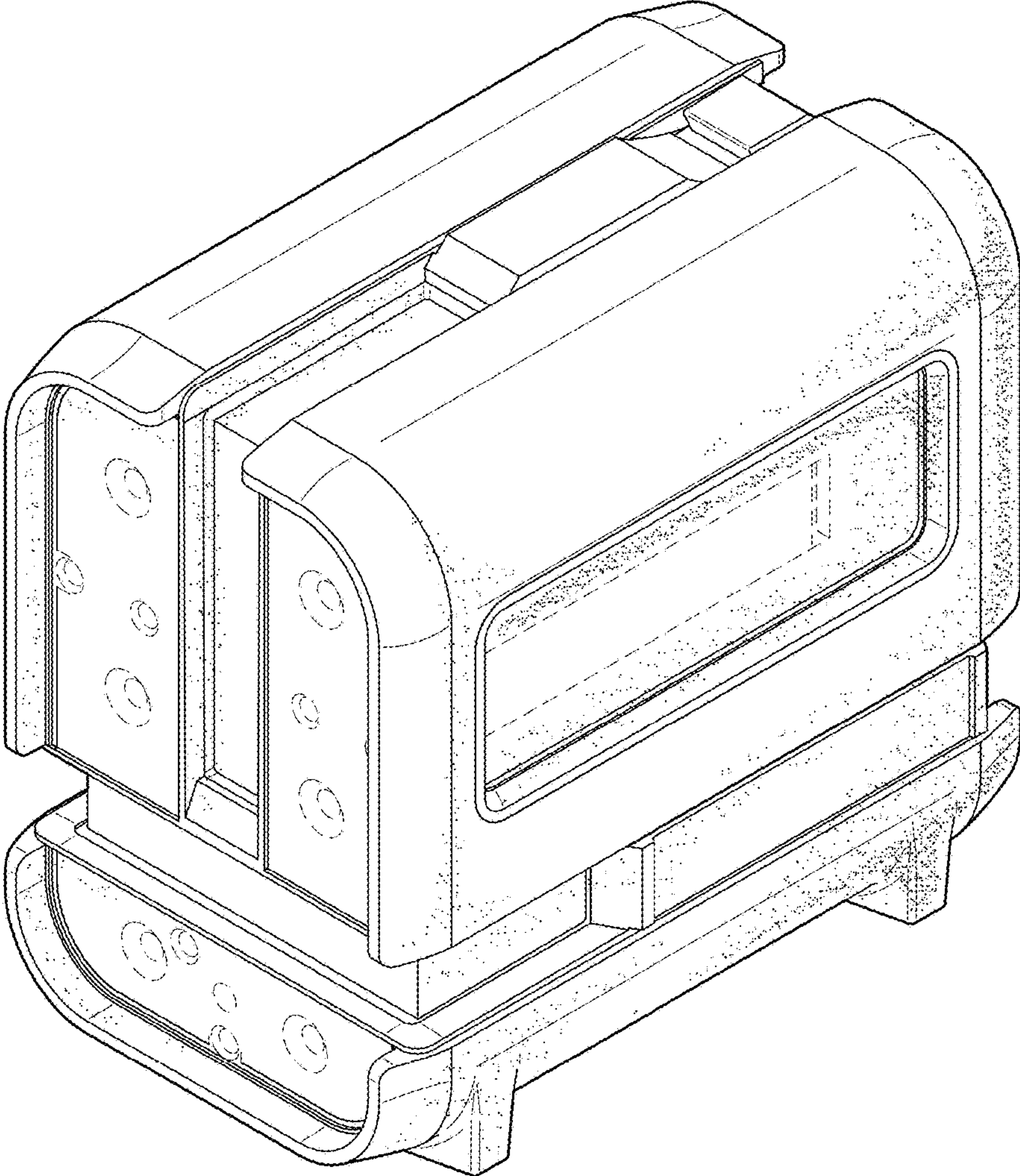


FIG. 1

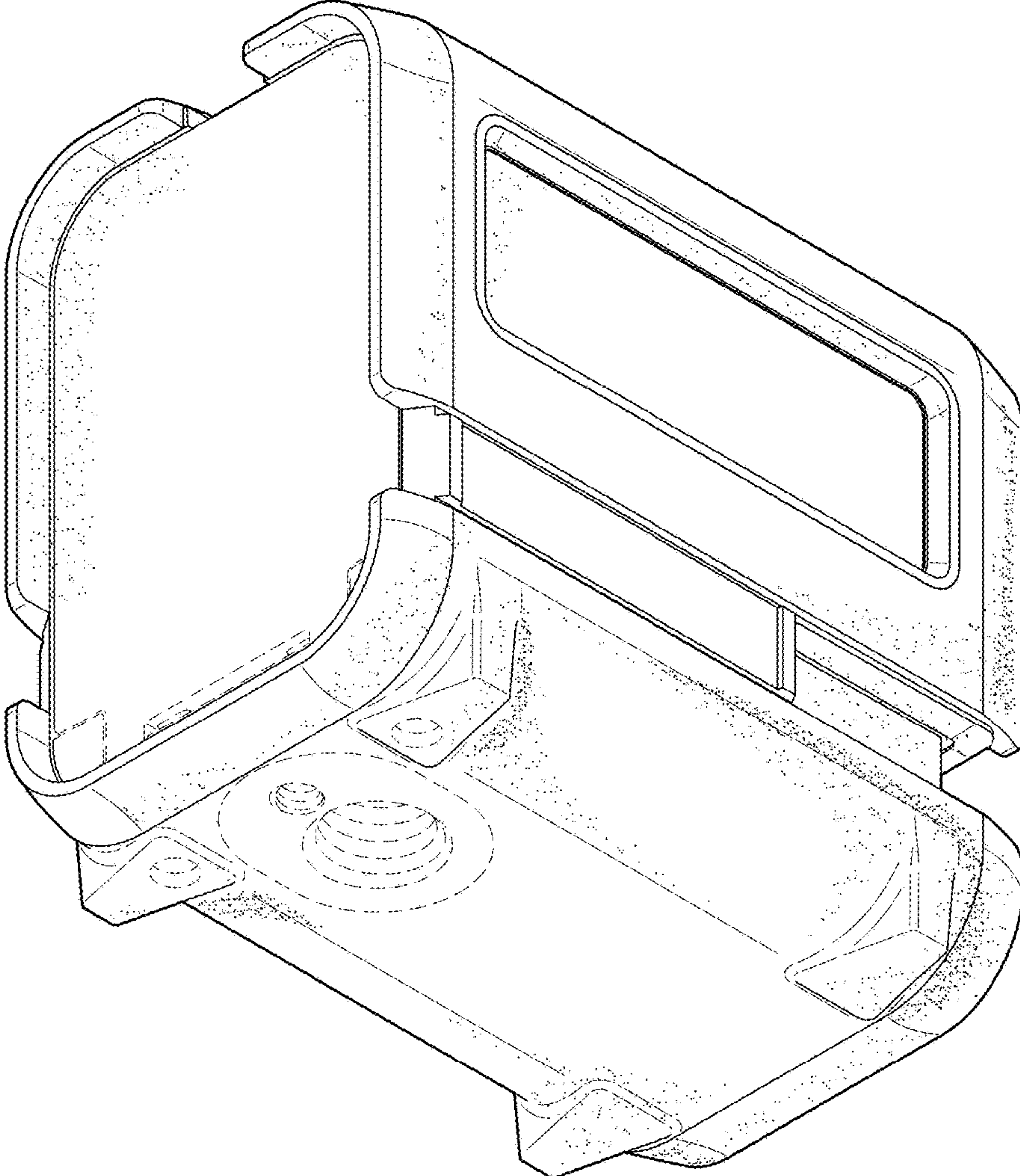


FIG. 2

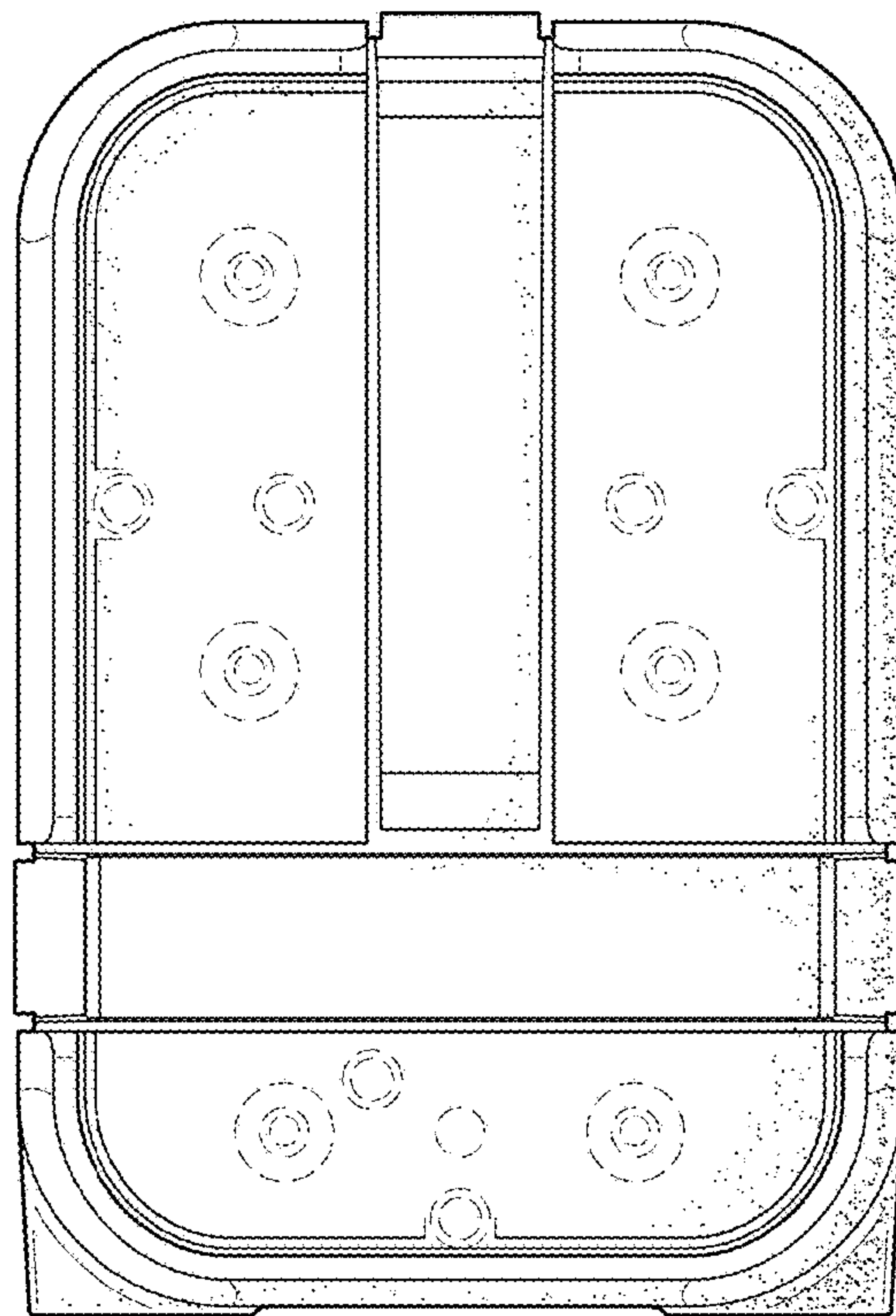


FIG. 3

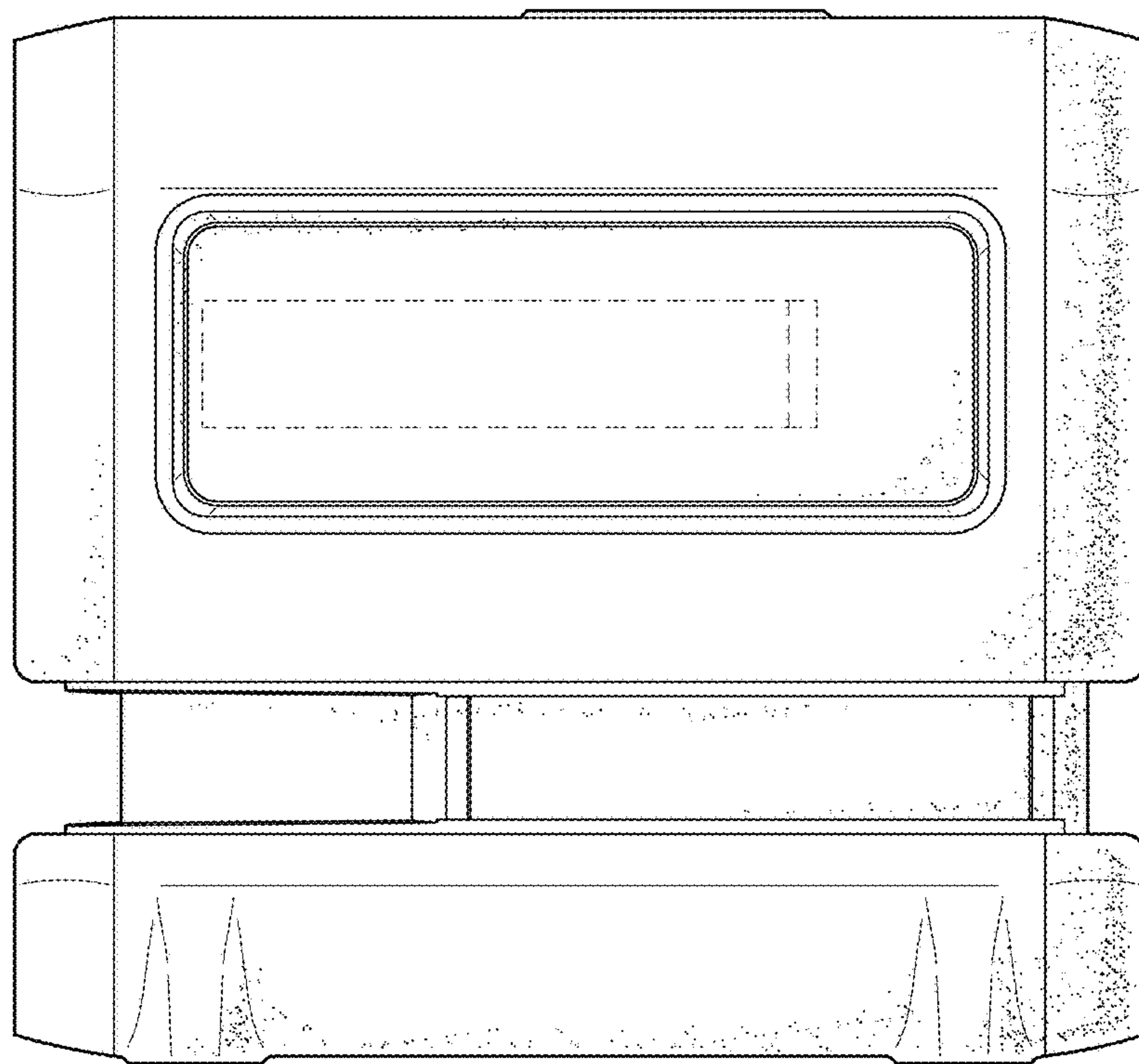


FIG. 4

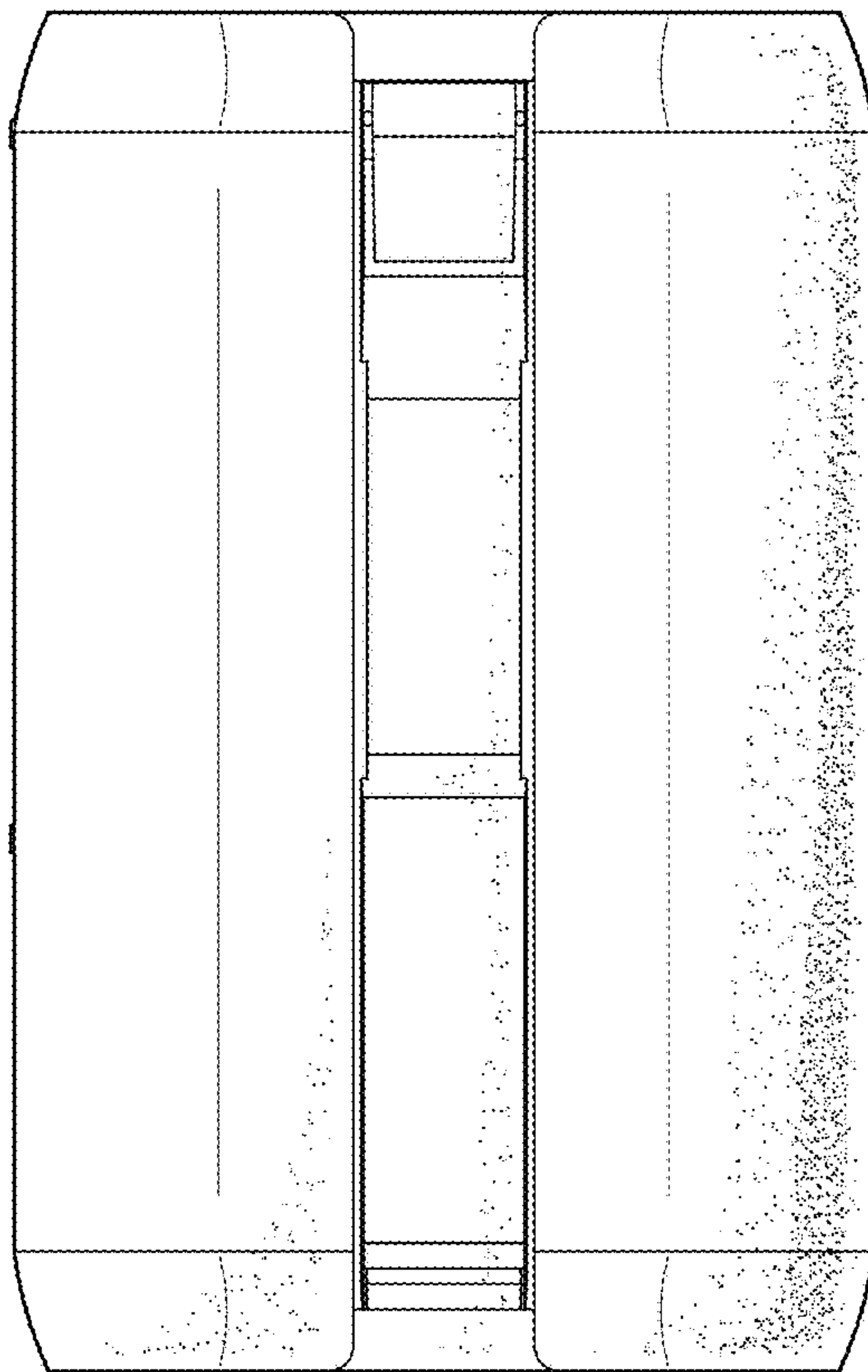


FIG. 5

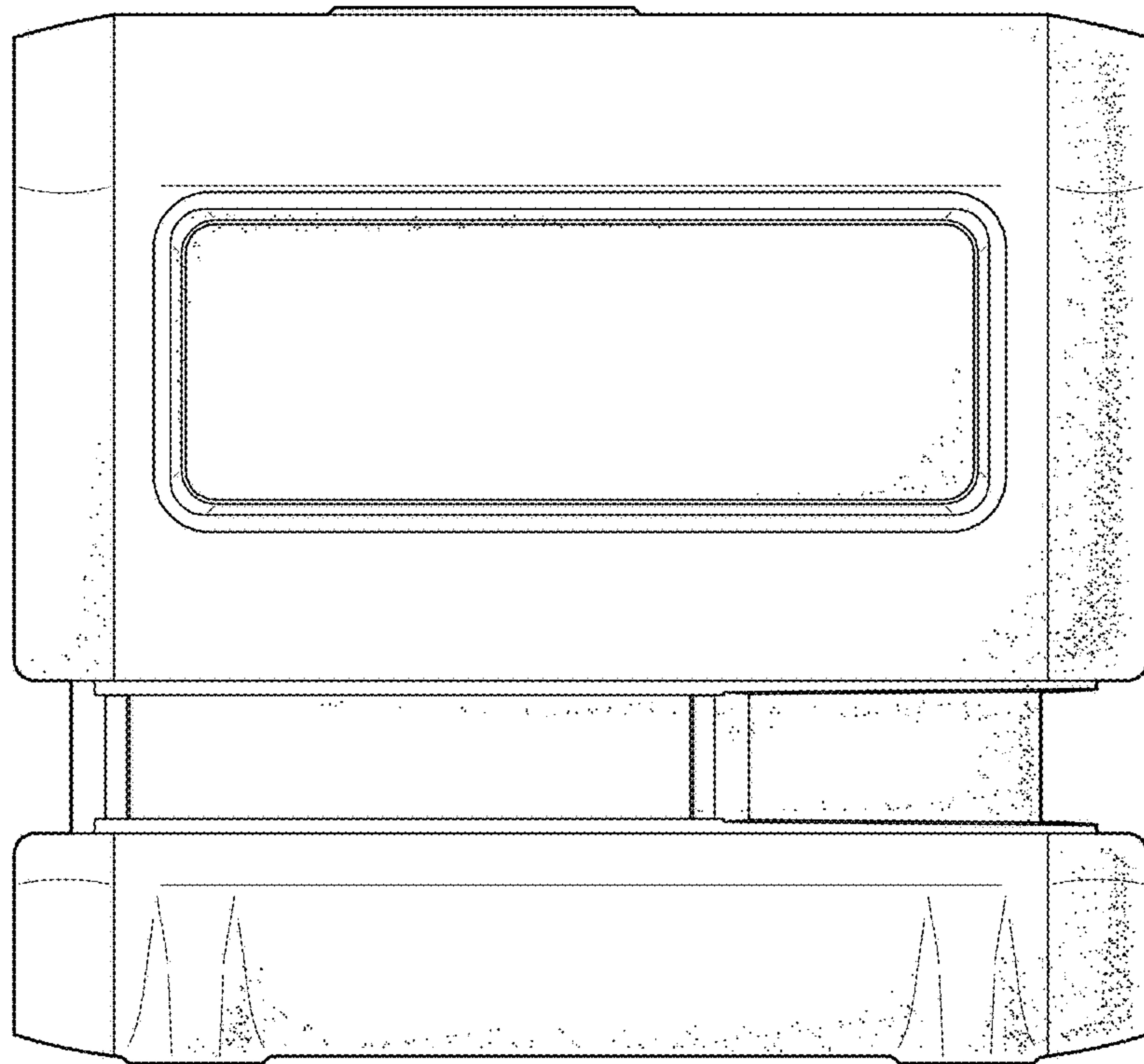


FIG. 6

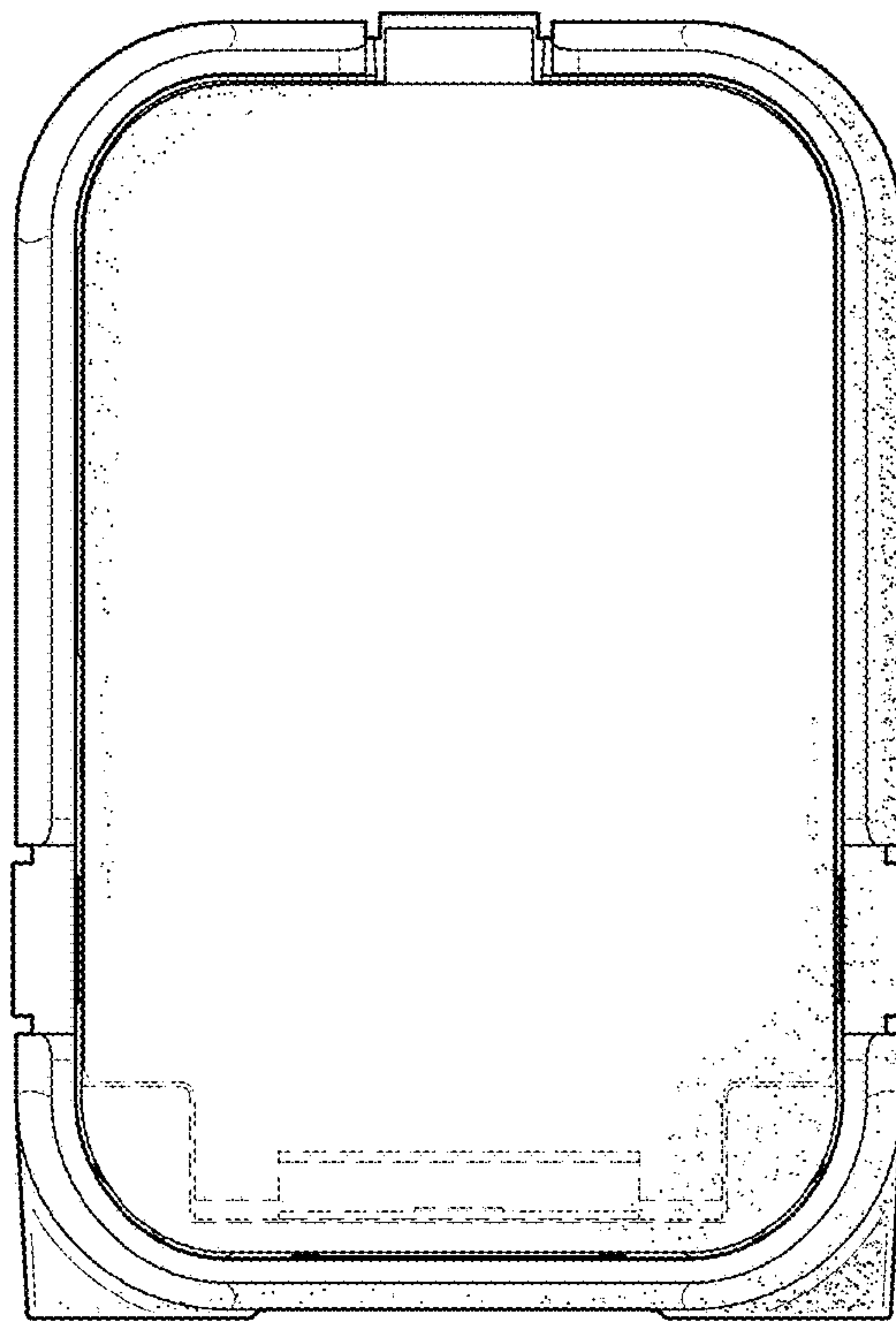


FIG. 7

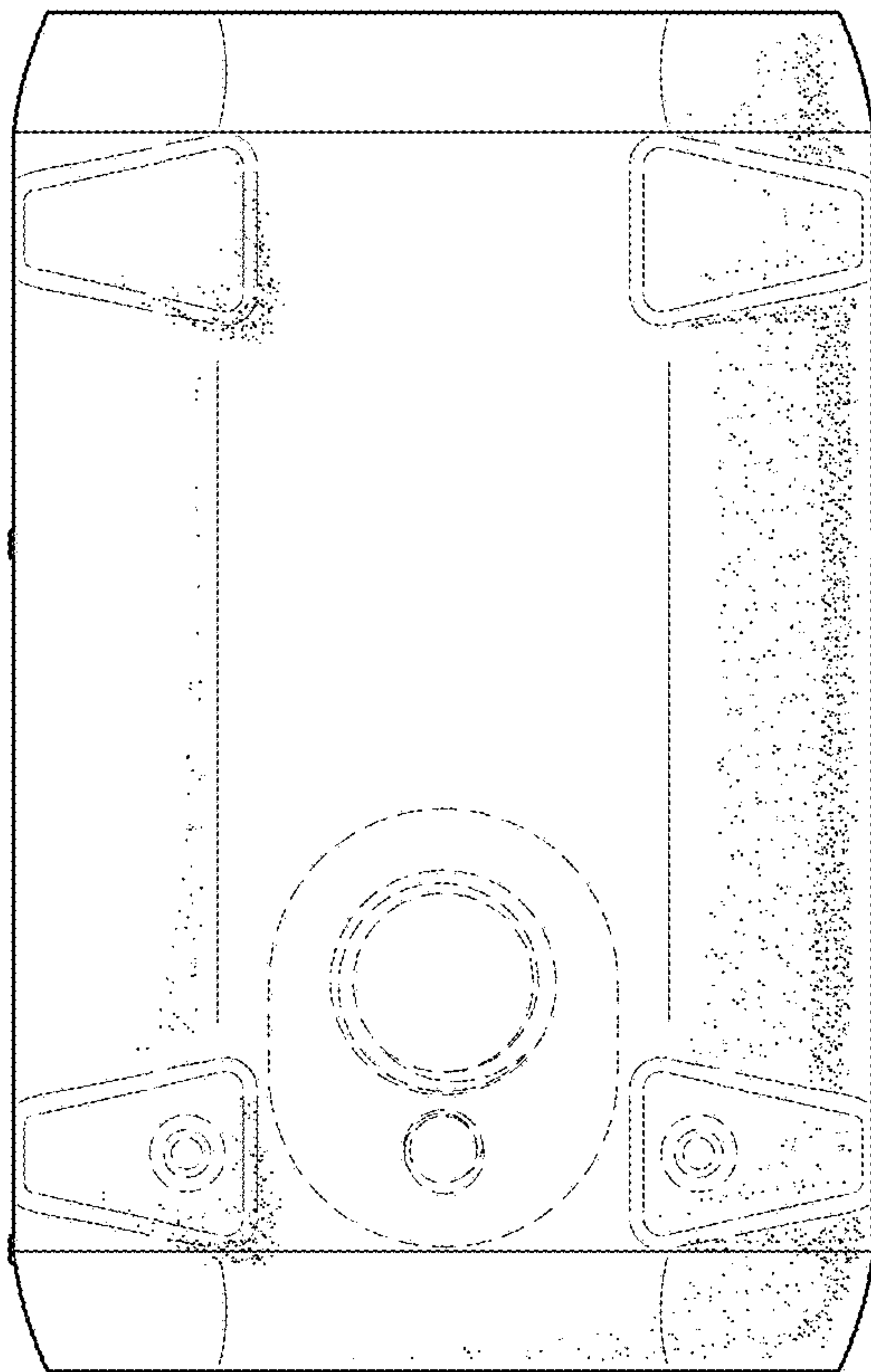


FIG. 8

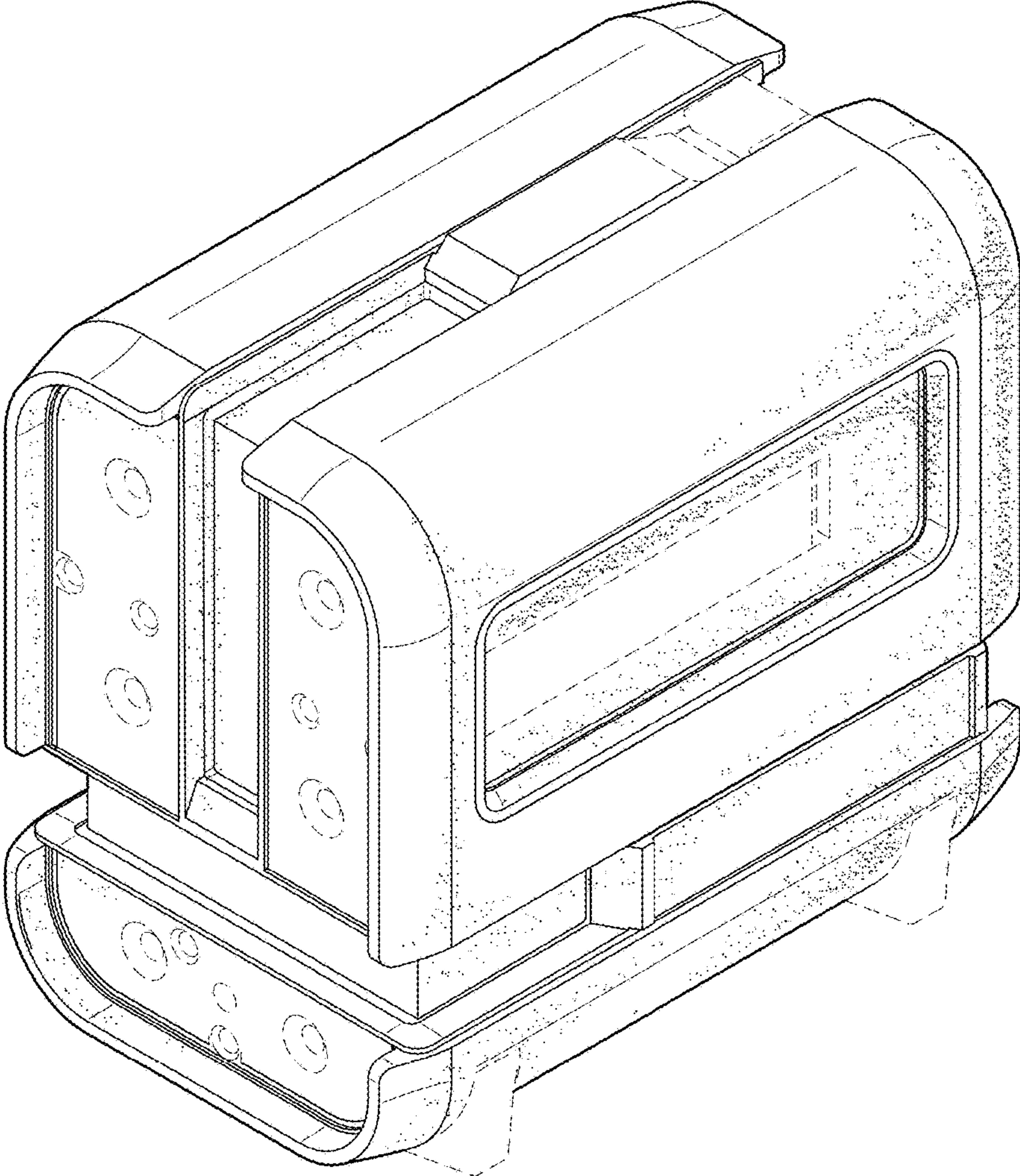


FIG. 9

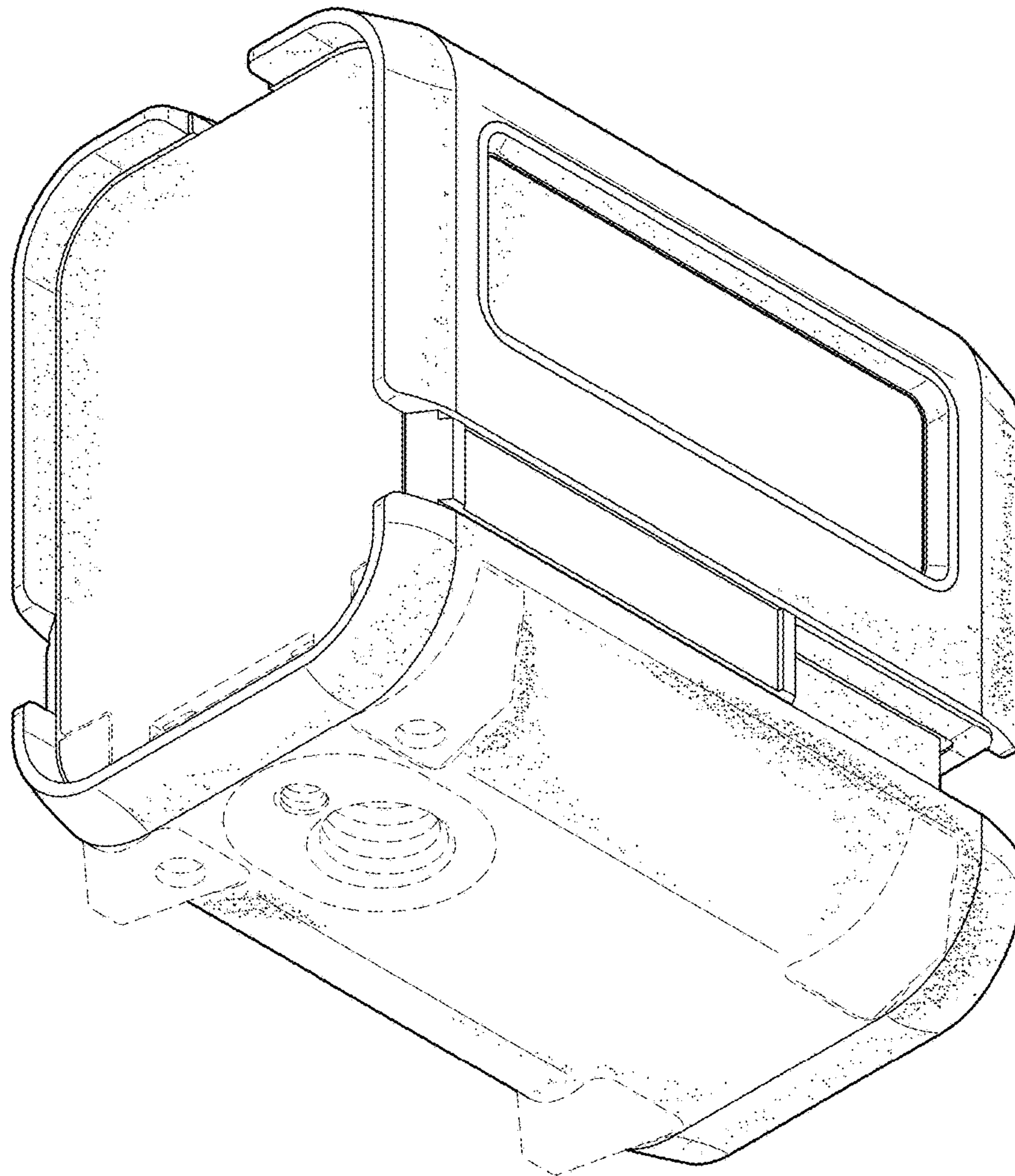


FIG. 10

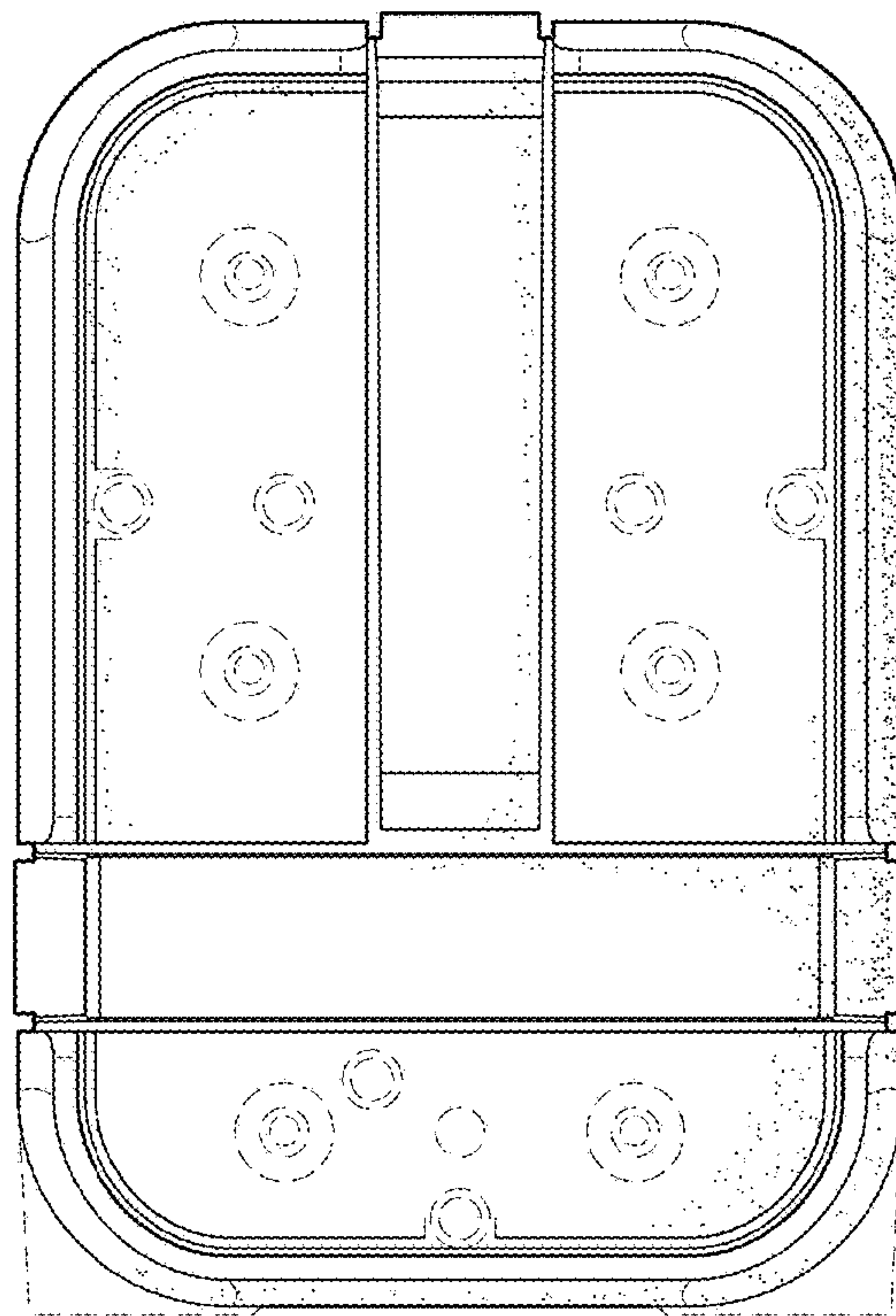


FIG. 11

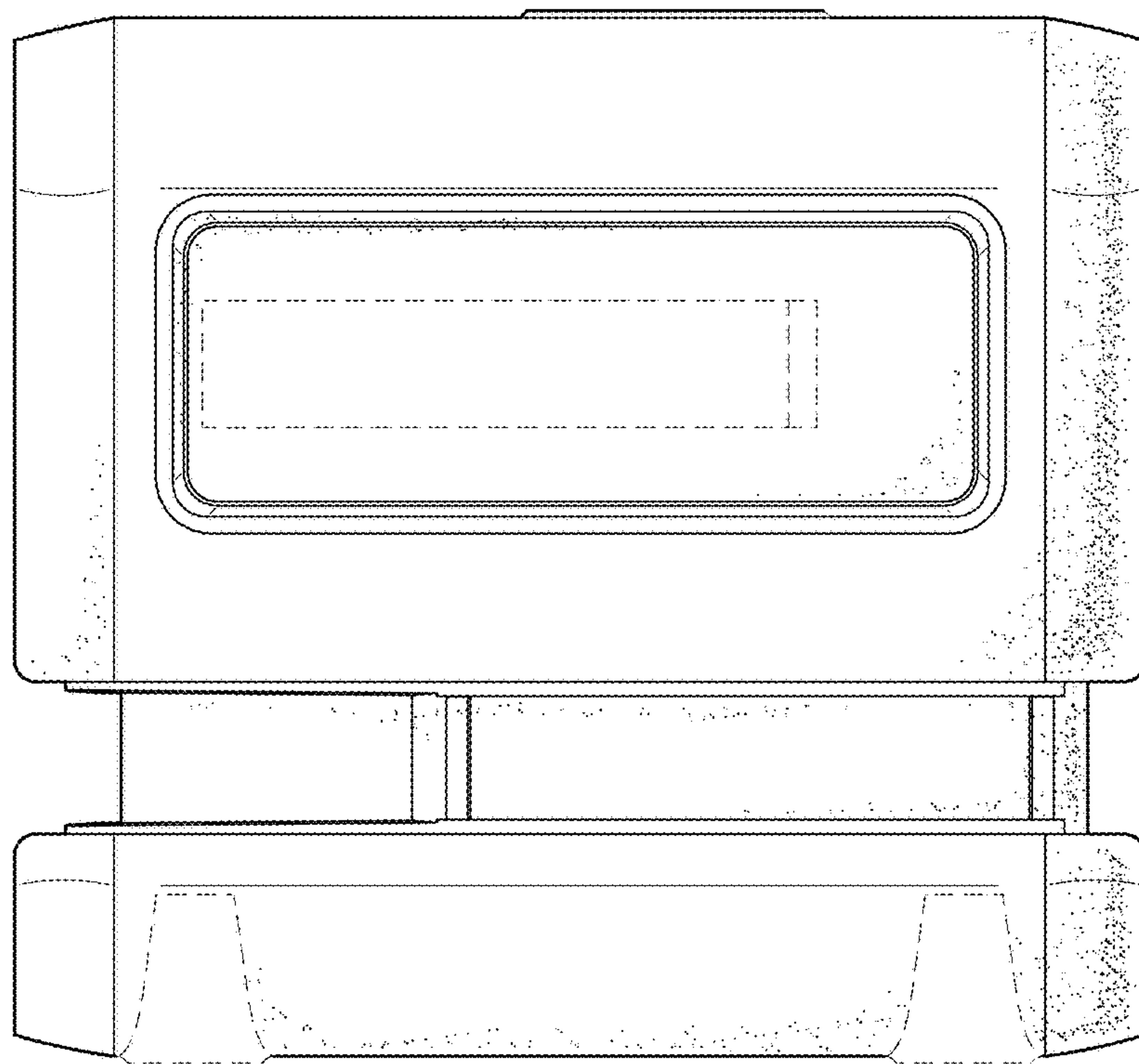


FIG. 12

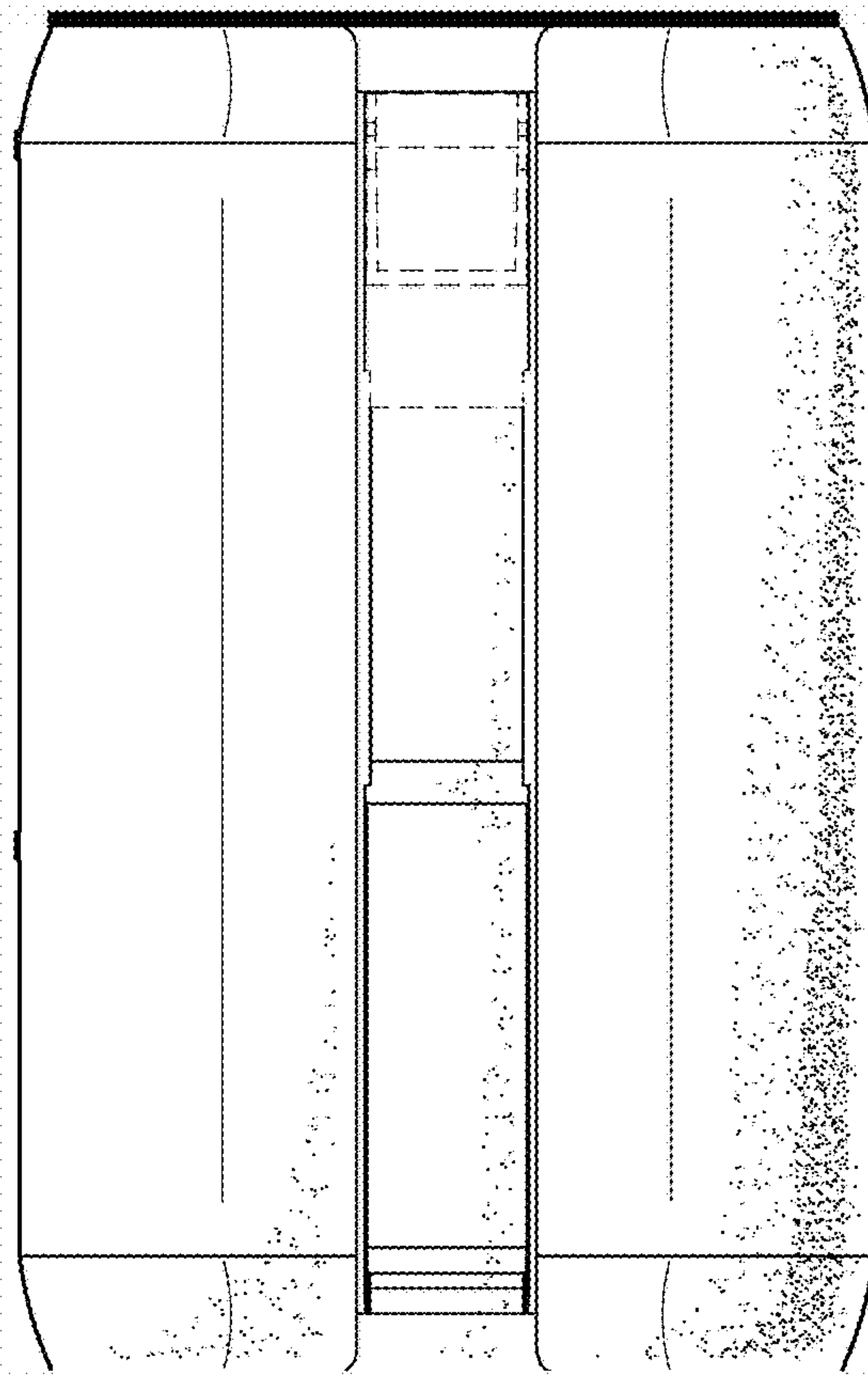


FIG. 13

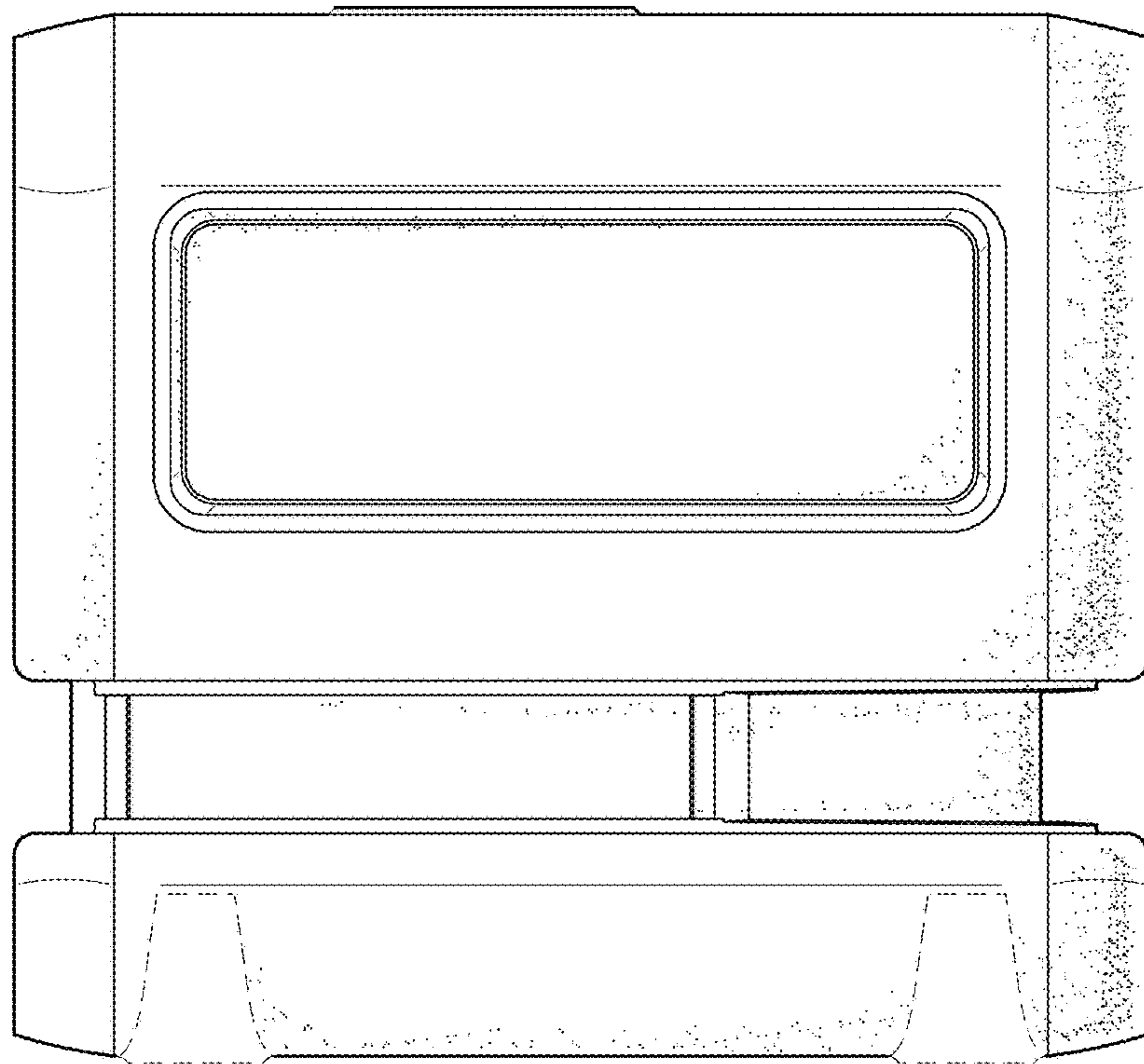


FIG. 14

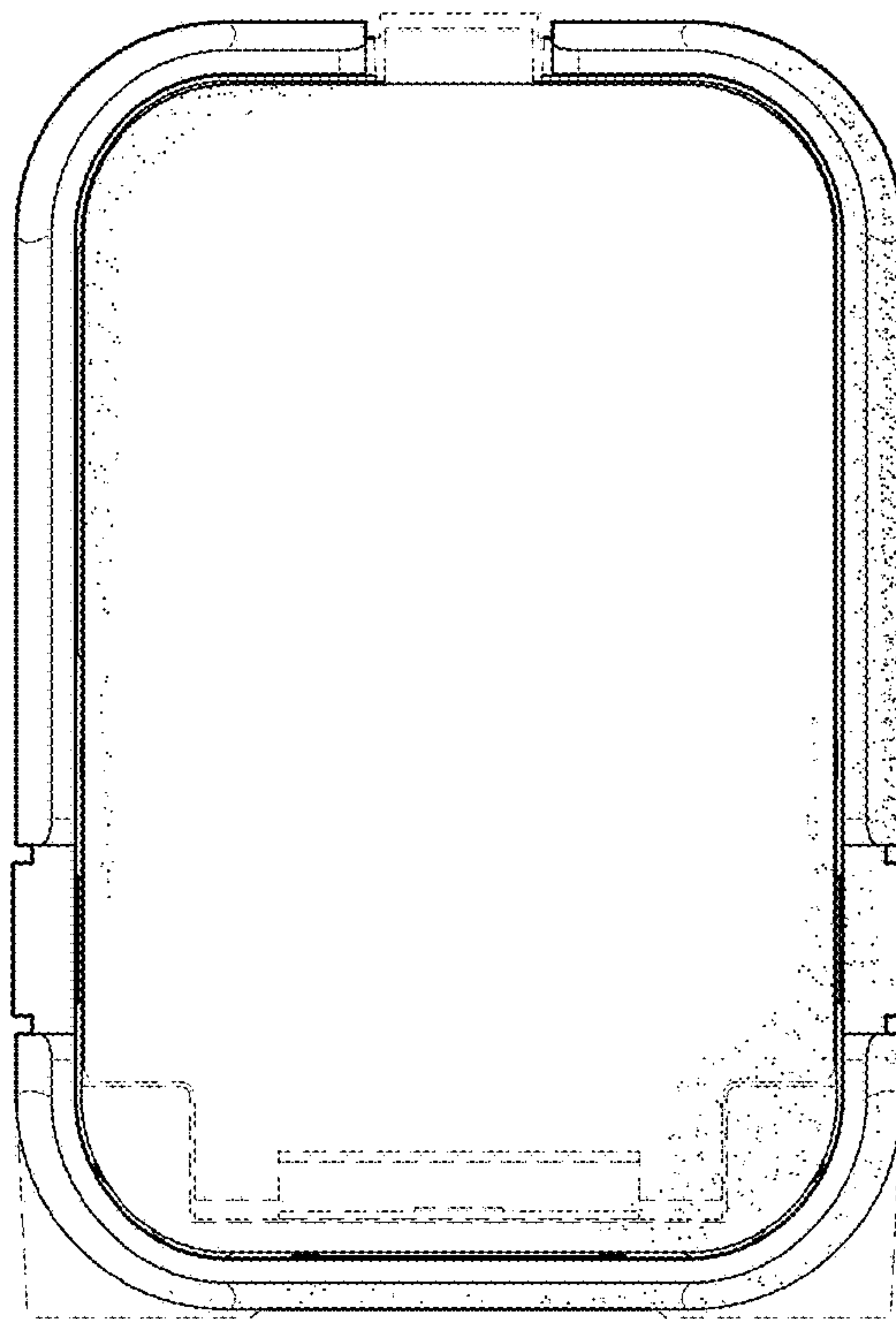


FIG. 15

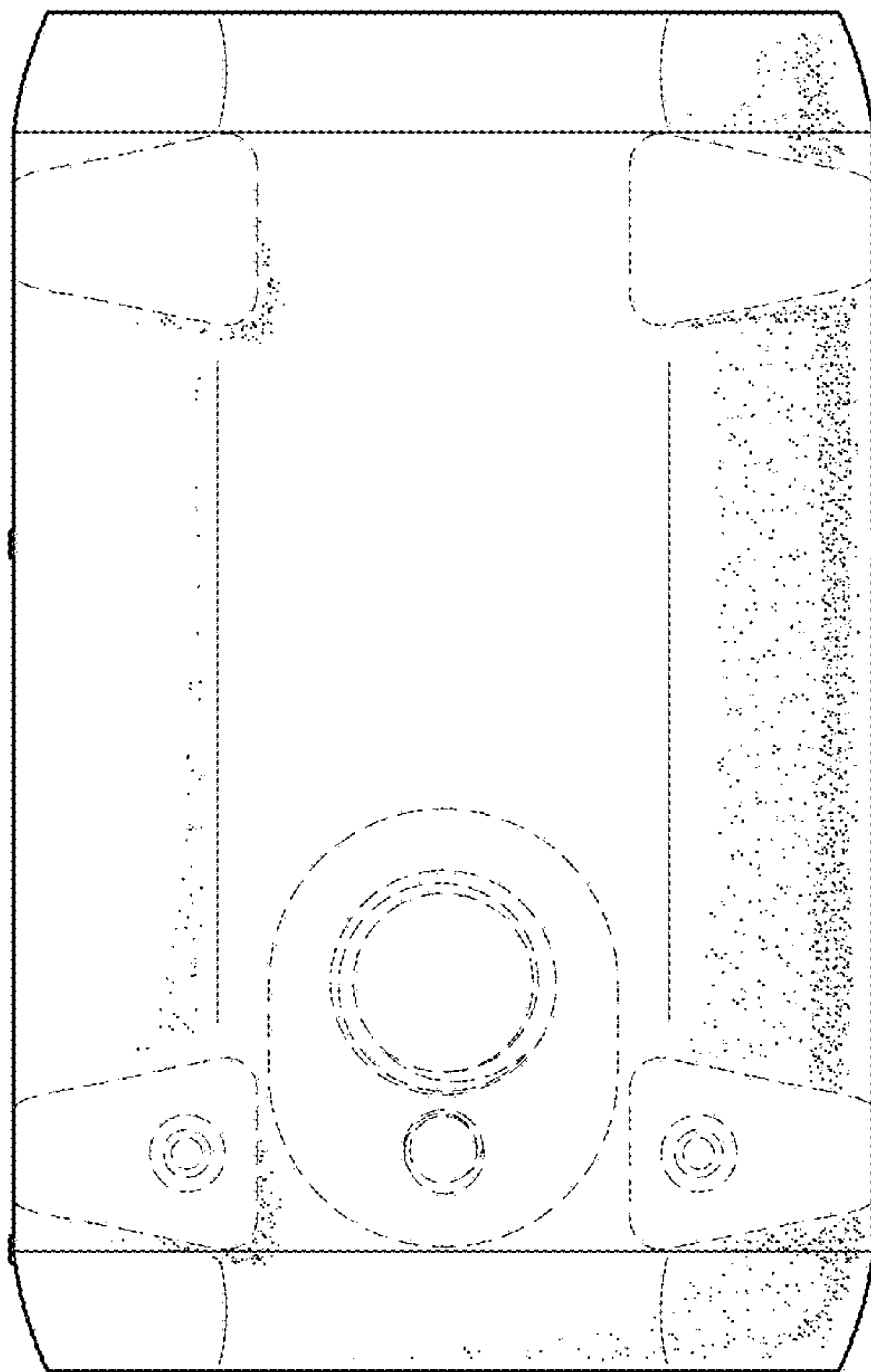


FIG. 16