



US00D850941S

(12) **United States Design Patent**
Israni

(10) **Patent No.:** **US D850,941 S**

(45) **Date of Patent:** **** Jun. 11, 2019**

(54) **SENSOR DEVICE**

3/50; G01P 15/18; G06P 3/0482; G06P
2203/04801; F21S 8/033; F21V 17/02;
F21V 23/0442; F21V 21/30; F21W
2131/10

(71) Applicant: **Trendstar Corporation**, Fairfield, NJ
(US)

See application file for complete search history.

(72) Inventor: **Rajesh Israni**, Boonton, NJ (US)

(56) **References Cited**

(73) Assignee: **TRENDSTAR CORPORATION**,
Fairfield, NJ (US)

U.S. PATENT DOCUMENTS

(**) Term: **15 Years**

D775,978 S * 1/2017 Christianson D10/106.8
D775,979 S * 1/2017 Christianson D10/106.6

(21) Appl. No.: **29/613,466**

* cited by examiner

(22) Filed: **Aug. 10, 2017**

Primary Examiner — Antoine Duval Davis

(51) **LOC (11) Cl.** **10-04**

(74) *Attorney, Agent, or Firm* — Leason Ellis LLP

(52) **U.S. Cl.**
USPC **D10/65**; D10/70

(58) **Field of Classification Search**
USPC D10/46, 65, 70
CPC G08G 1/096883; G08G 1/096872; G08G
1/096775; G08G 1/0969; G08G 1/123;
G08G 1/127; G08G 1/13; G08G 1/133;
G08G 1/137; G08G 1/14; G08G 1/141;
G08G 1/142; G08G 1/143; G08G 1/144;
G08G 1/145; G08G 1/146; G08G 1/147;
G08G 1/148; G08G 1/149; G08G 1/005;
G01C 21/16; G01C 21/3688; G01C
21/30; G01C 21/3664; G01C 21/26;
G01C 21/00; G01V 8/20; G01J 5/02;
G01J 5/023; G01J 5/24; G01J 5/10; G01J
5/20; G01J 5/0235; G01J 5/08; G01J
5/0853; G01J 5/33; G01J 5/34; G01J
5/0022; G01J 5/22; G01J 5/0295; G01J
5/12; G01J 2005/068; G01J 2005/345;
G01N 21/3504; G01N 21/35; G01S
15/04; G01S 5/025; G01S 19/48; G01S
5/0009; G01S 2205/001; G01S 2205/008;
G08B 13/1645; G08B 13/19; G08B
13/193; G08B 17/12; Y10S 250/01; H01L
37/00; H01L 37/02; H04N 5/33; G01P

(57) **CLAIM**

The ornamental design for a sensor device, as shown and described.

DESCRIPTION

The patent or application file contains at least one drawing executed in color. Copies of this patent or patent application publication with color drawing(s) will be provided by the Office upon request and payment of the necessary fee.

FIG. 1 is a top perspective view of a sensor device showing my new ornamental design;

FIG. 2 is a bottom perspective view thereof;

FIG. 3 is a right orthogonal, exploded view thereof;

FIG. 4 is a top view thereof;

FIG. 5 is a bottom view thereof;

FIG. 6 is a front plan view thereof;

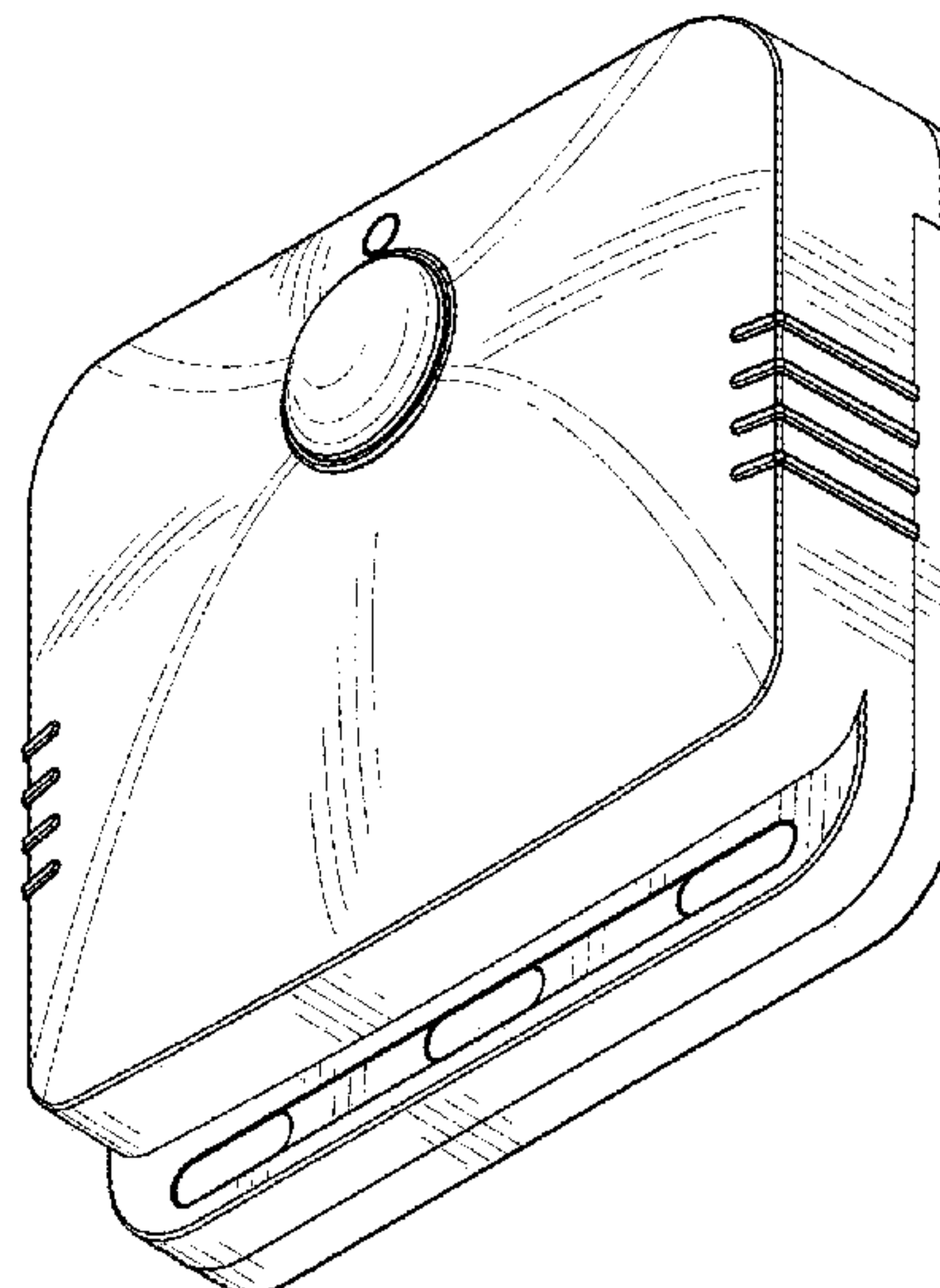
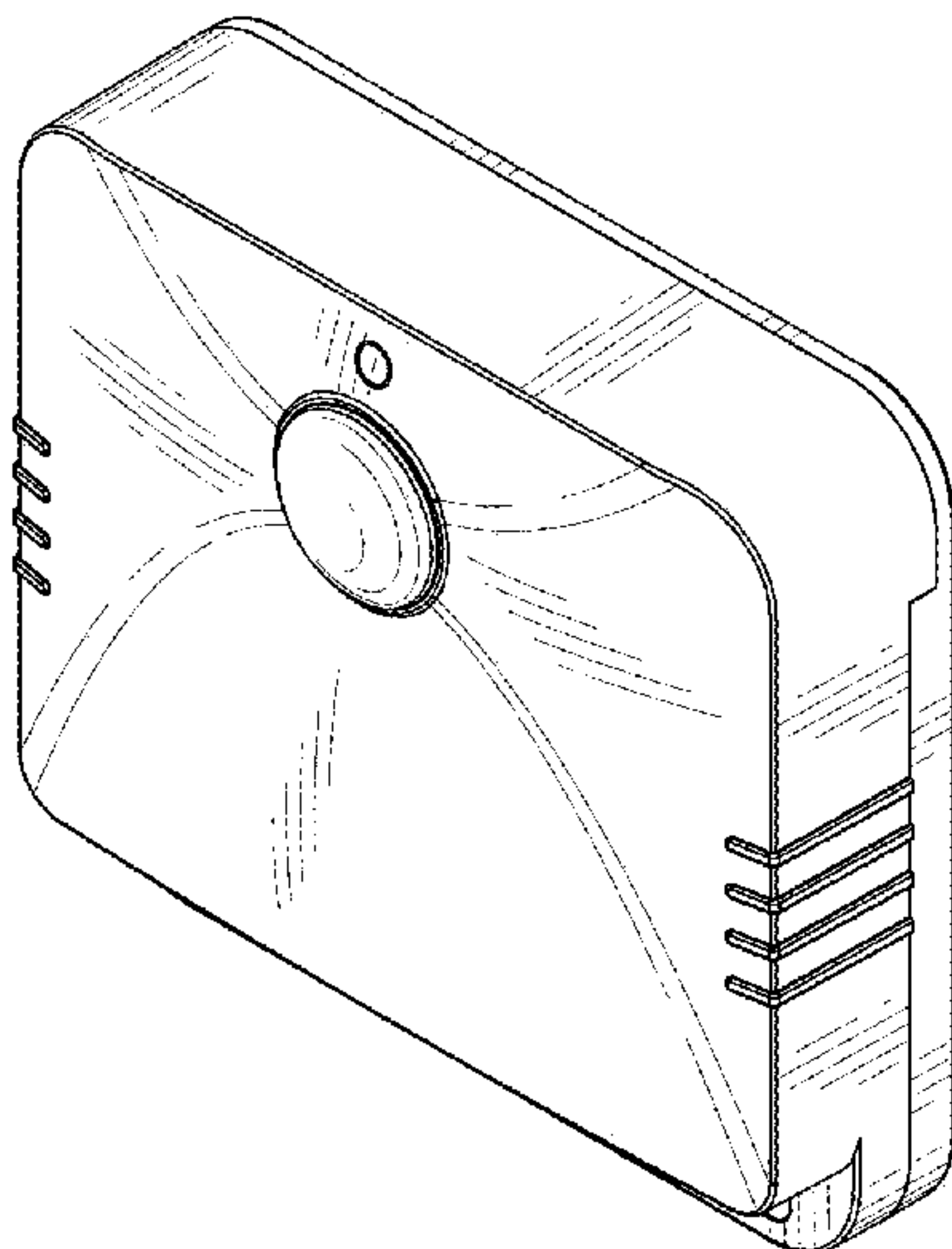
FIG. 7 is a rear plan view thereof;

FIG. 8 is a right side view thereof; and,

FIG. 9 is a left side view thereof.

The dash-dot-dash broken lines illustrate connecting lines along which parts of the claimed design connect.

1 Claim, 9 Drawing Sheets
(1 of 9 Drawing Sheet(s) Filed in Color)



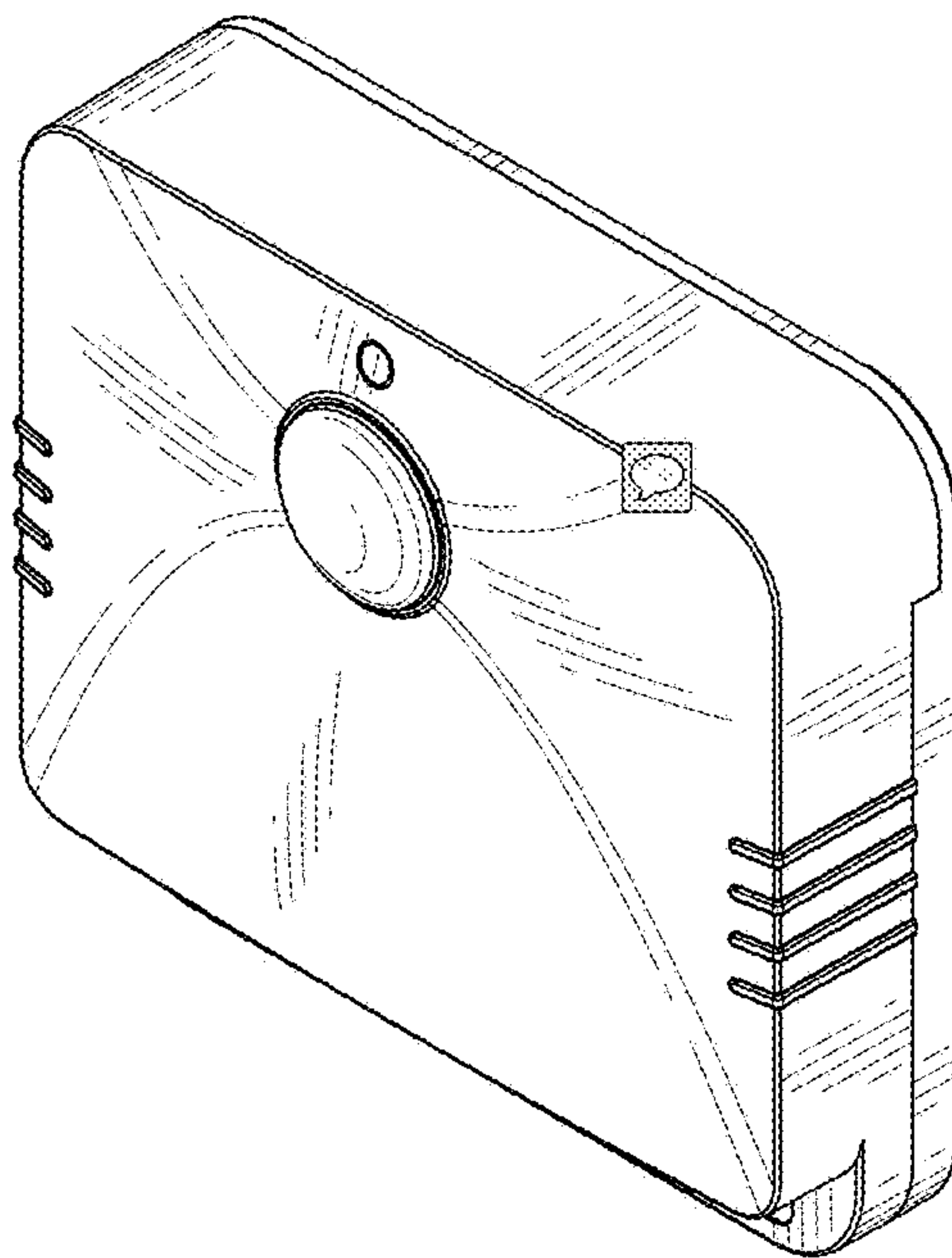


FIG. 1

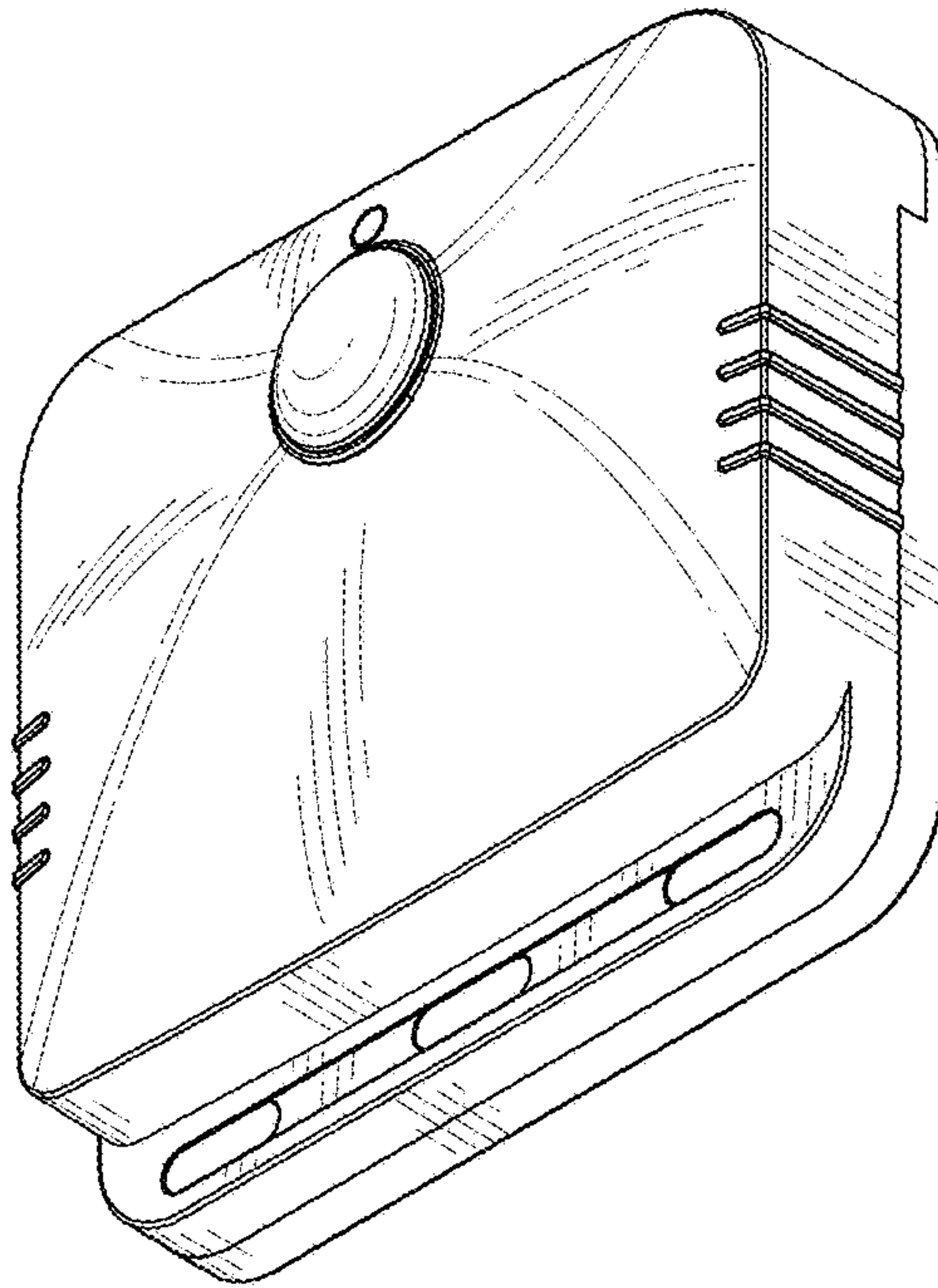


FIG. 2

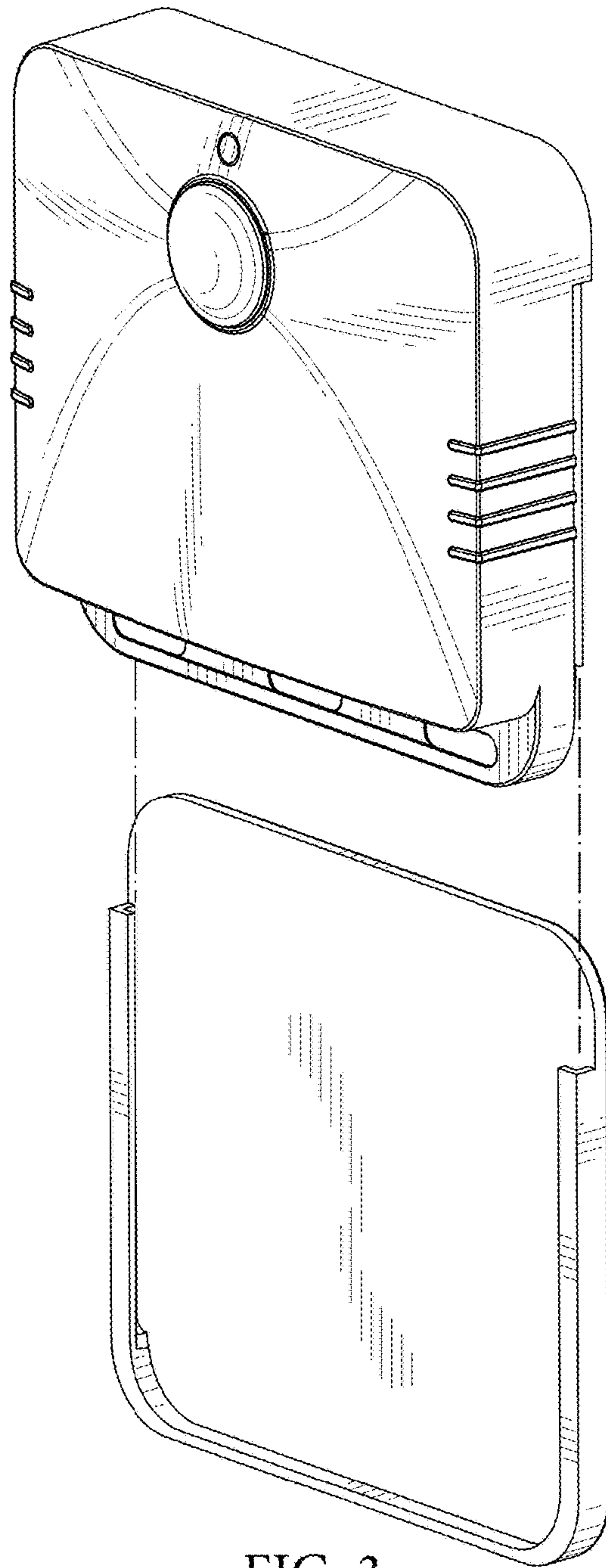


FIG. 3

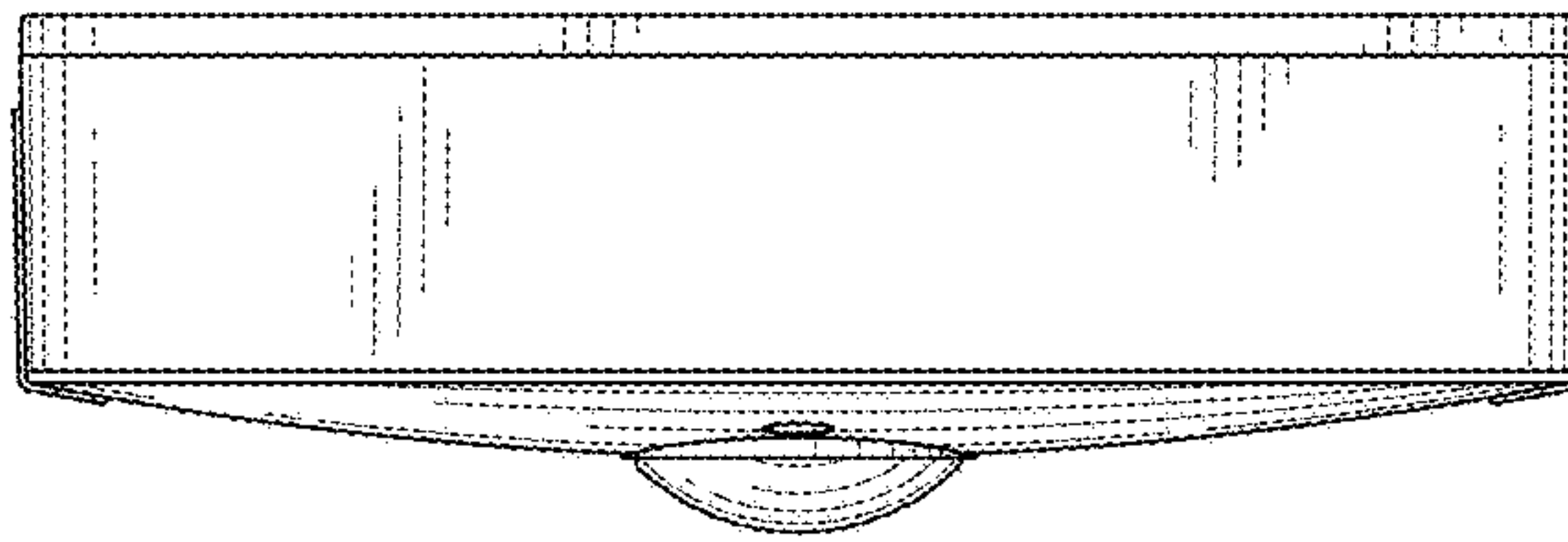


FIG. 4

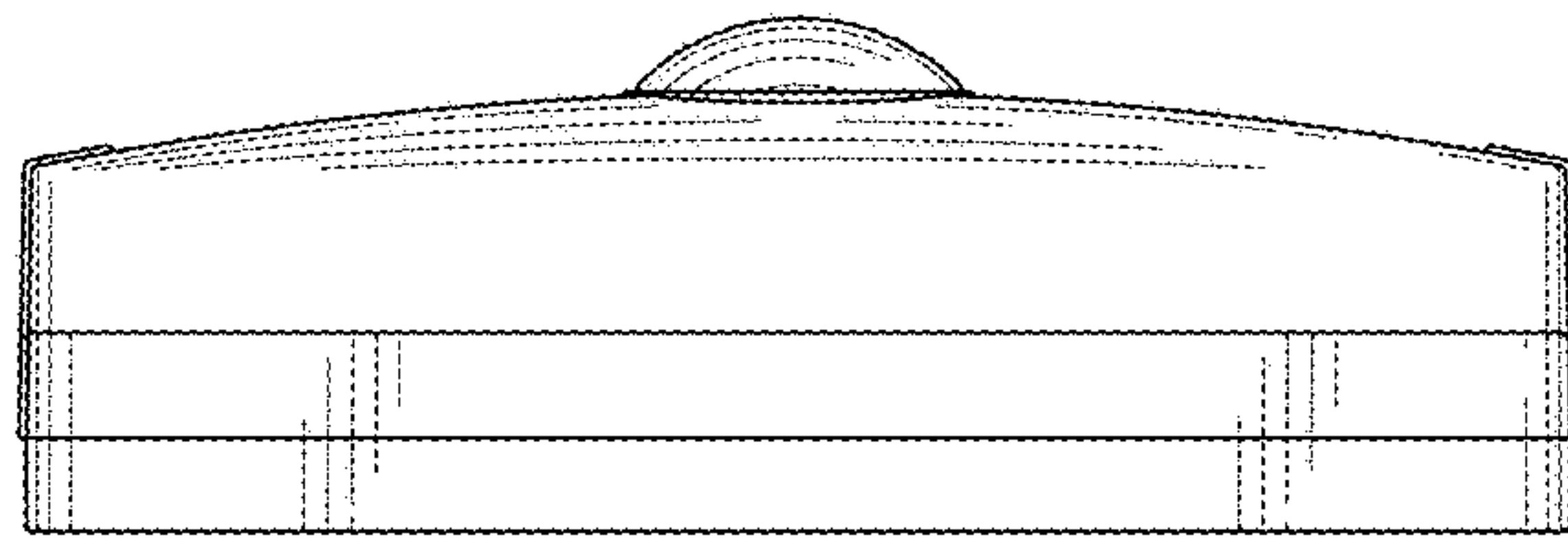


FIG. 5

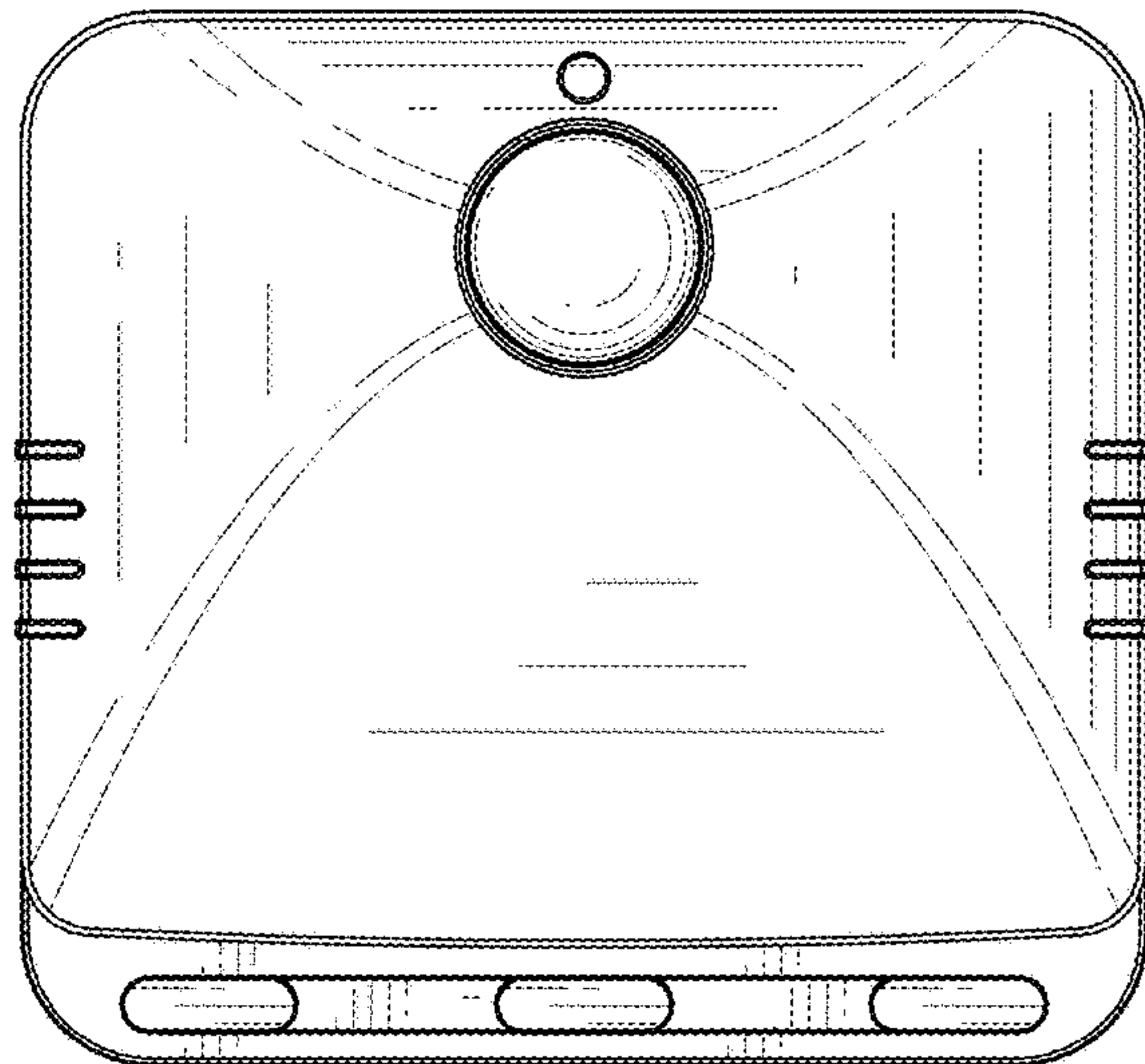


FIG. 6

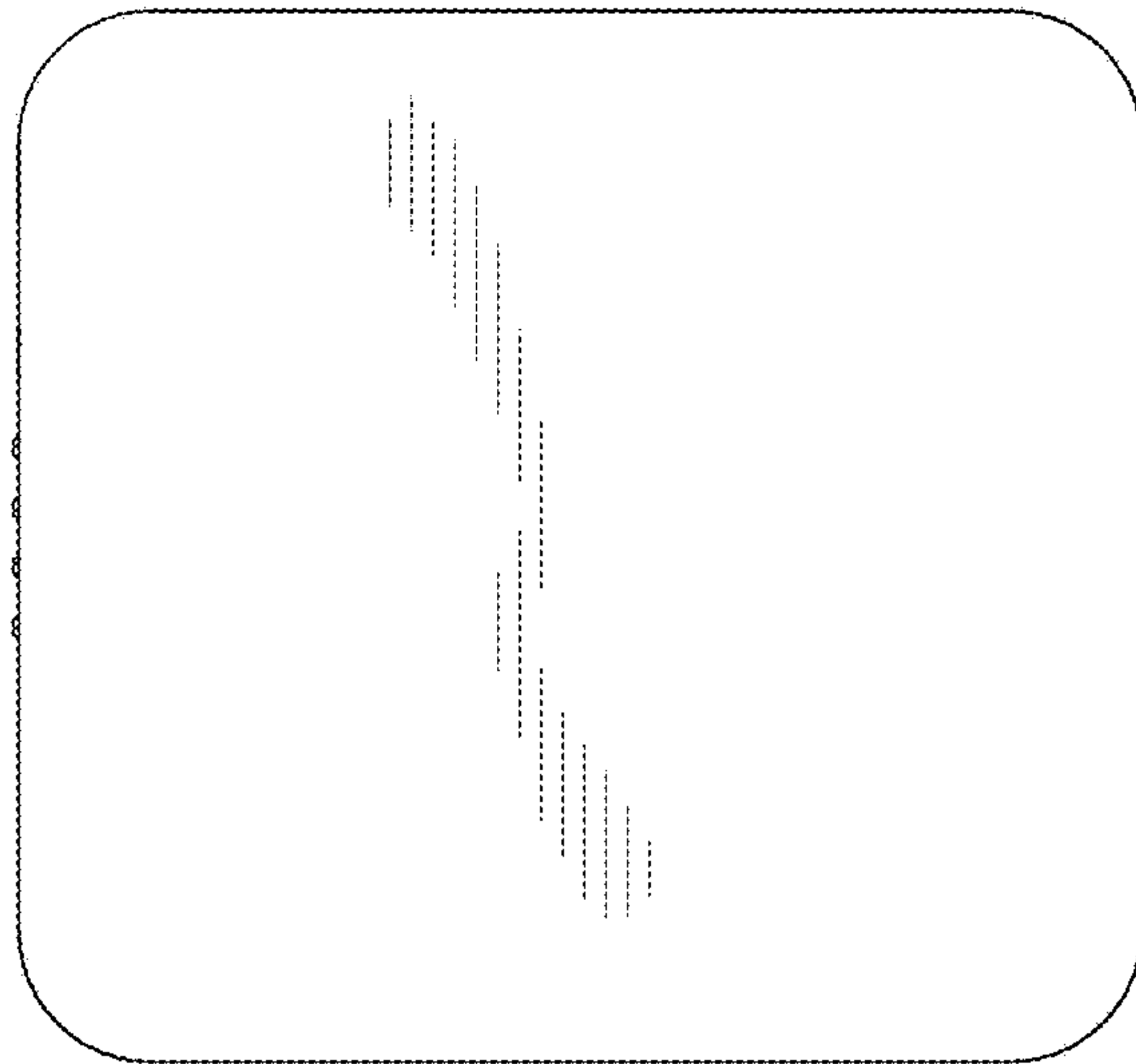


FIG. 7

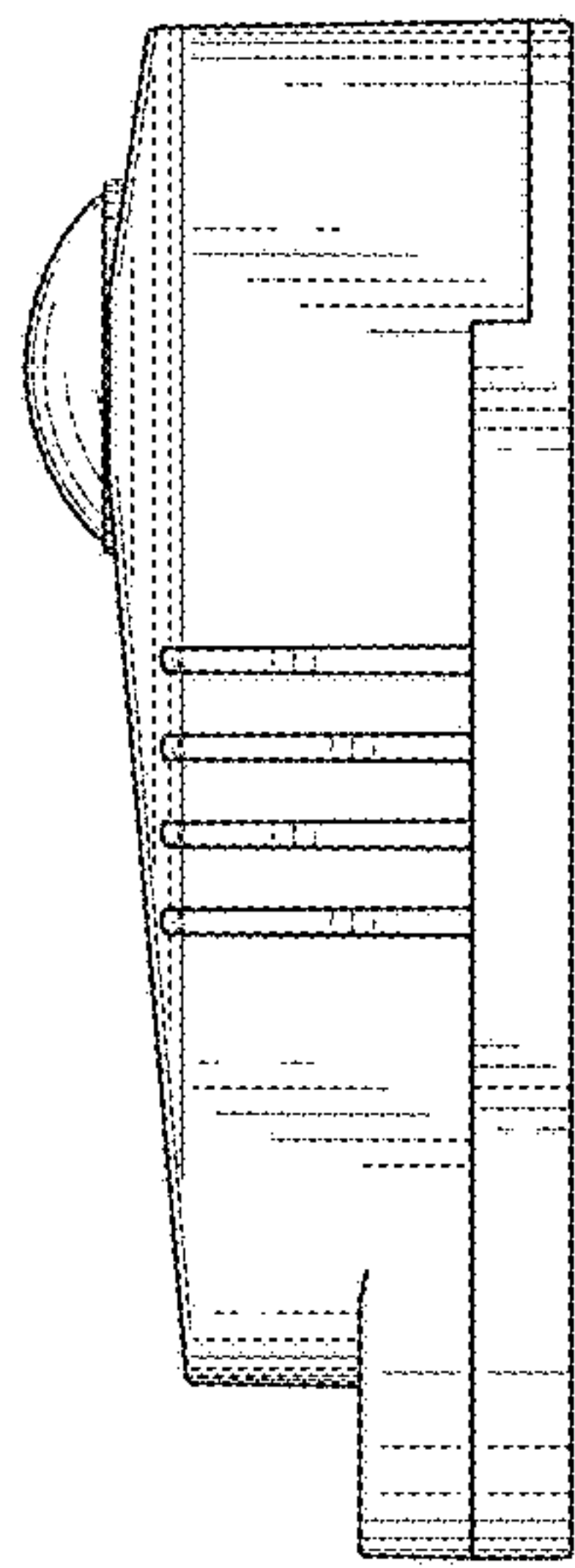


FIG. 8

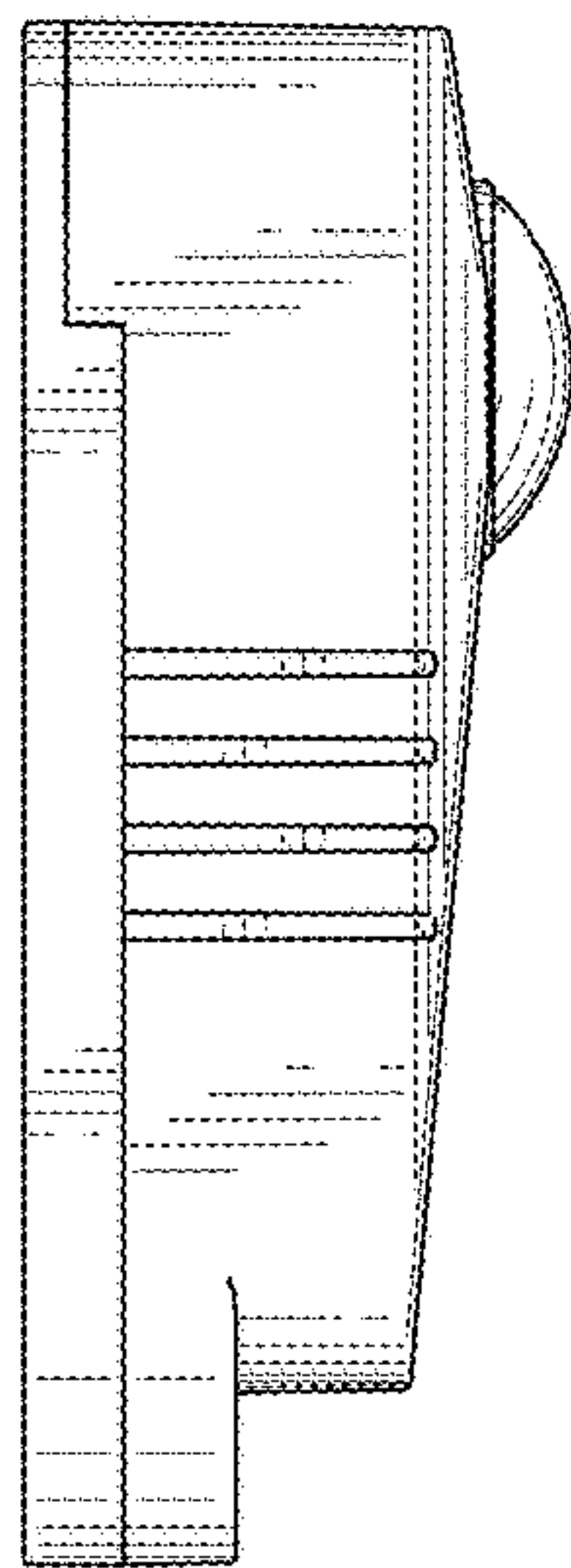


FIG. 9