



US00D850939S

(12) **United States Design Patent** (10) **Patent No.:** **US D850,939 S**
Siminoff et al. (45) **Date of Patent:** **** Jun. 11, 2019**

(54) **FLOOD AND FREEZE SENSOR**

(71) Applicant: **Ring Inc.**, Santa Monica, CA (US)

(72) Inventors: **Mark Siminoff**, Mountain View, CA (US); **Spiro Sacre**, Los Angeles, CA (US); **Andrew L. Russell**, Philadelphia, PA (US); **David DiOrio**, Santa Monica, CA (US); **Peter Gerstberger**, Laguna Niguel, CA (US); **Christopher Loew**, Palo Alto, CA (US)

(73) Assignee: **Amazon Technologies, Inc.**, Seattle, WA (US)

(**) Term: **15 Years**

(21) Appl. No.: **29/623,299**

(22) Filed: **Oct. 24, 2017**

(51) **LOC (11) Cl.** **10-01**

(52) **U.S. Cl.**
 USPC **D10/53; D10/56; D10/59; D10/101; D10/106.5**

(58) **Field of Classification Search**
 USPC **D10/52, 53, 56, 57, 60, 101, 106.5**
 CPC **G01W 1/00; G01W 2001/003; G01W 2001/006; G01W 1/02; G01W 1/04; G01W 1/06; G01W 1/08; G01W 1/10; G01W 1/11; G01W 1/12; G01W 1/14; G01W 1/16; G01W 1/17; G01W 1/18**

See application file for complete search history.

(56) **References Cited**

U.S. PATENT DOCUMENTS

D675,543 S *	2/2013	Brooking	D10/56
D705,098 S *	5/2014	Brooking	D10/56
D731,334 S *	6/2015	Fiedler	D10/70

* cited by examiner

Primary Examiner — Antoine Duval Davis
 (74) *Attorney, Agent, or Firm* — Lathrop Gage LLP

(57) **CLAIM**

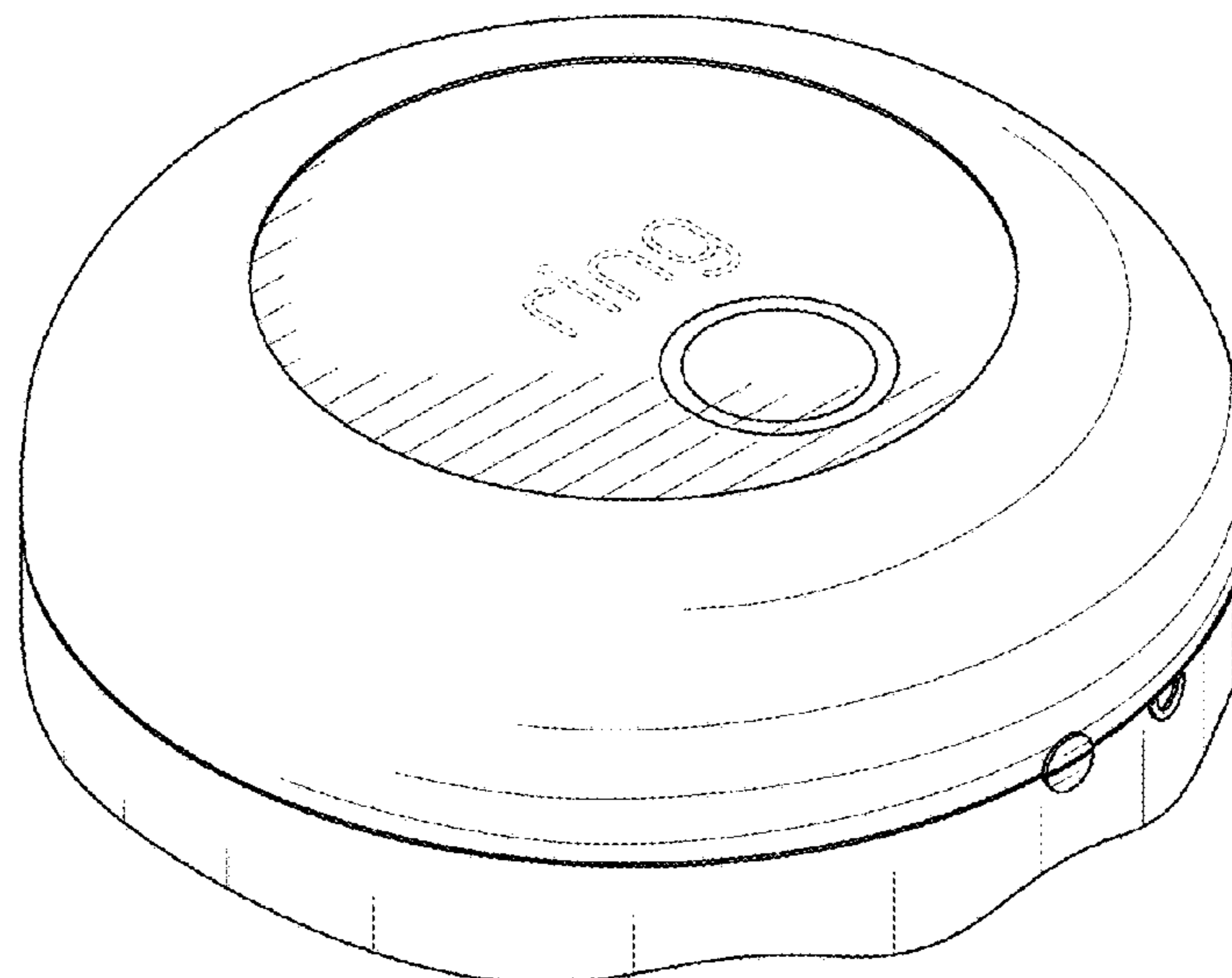
The ornamental design for a flood and freeze sensor, as shown and described.

DESCRIPTION

FIG. 1 is a front perspective view of the flood and freeze sensor according to the present design;
 FIG. 2 is a front elevational view of the flood and freeze sensor of FIG. 1;
 FIG. 3 is a rear elevational view of the flood and freeze sensor of FIG. 1;
 FIG. 4 is a left-side elevational view of the flood and freeze sensor of FIG. 1;
 FIG. 5 is a right-side elevational view of the flood and freeze sensor of FIG. 1;
 FIG. 6 is a top plan view of the flood and freeze sensor of FIG. 1; and,
 FIG. 7 is a bottom plan view of the flood and freeze sensor of FIG. 1.

In the drawings, the broken lines depict environmental subject matter only and form no part of the claimed design.

1 Claim, 3 Drawing Sheets



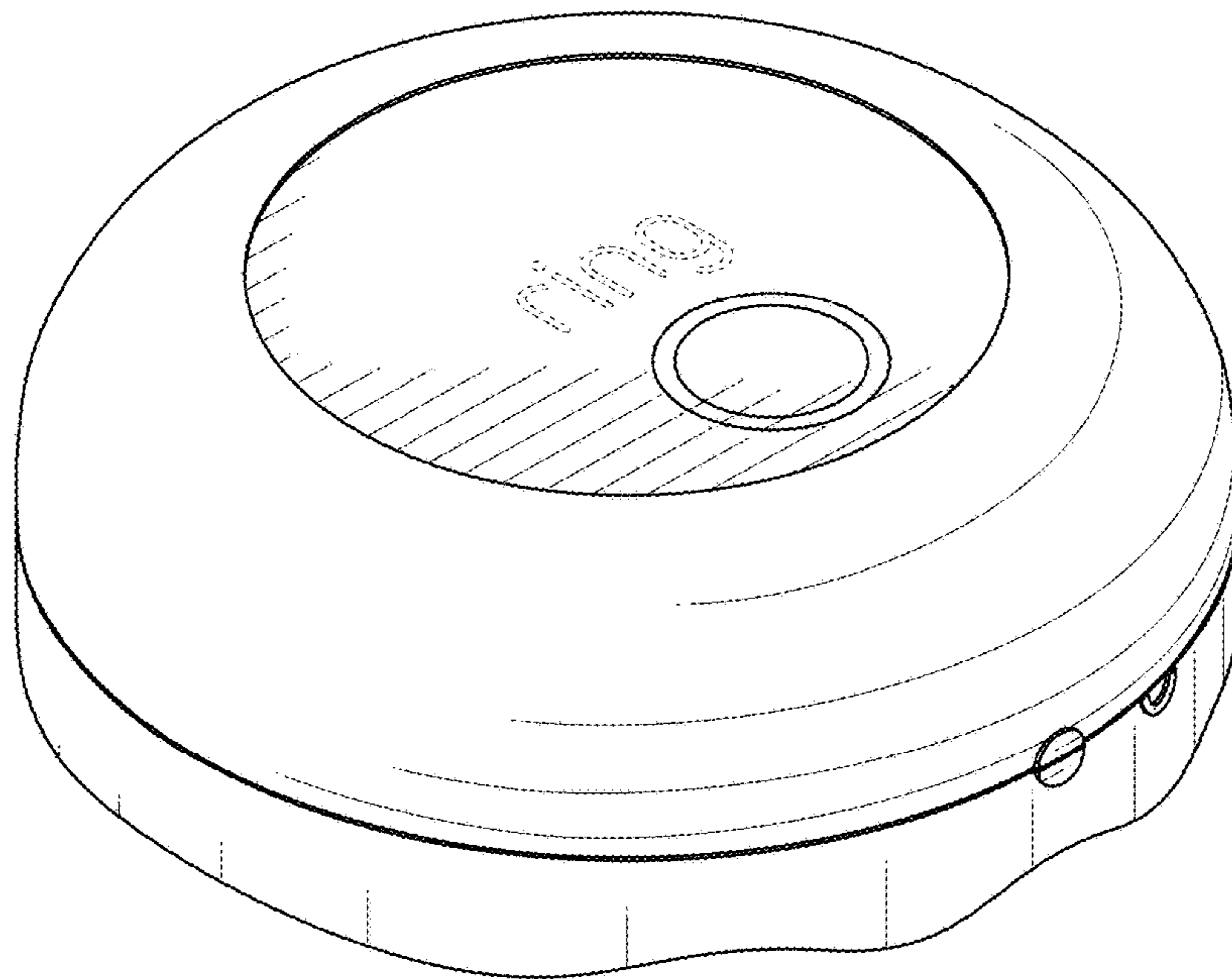


FIG. 1

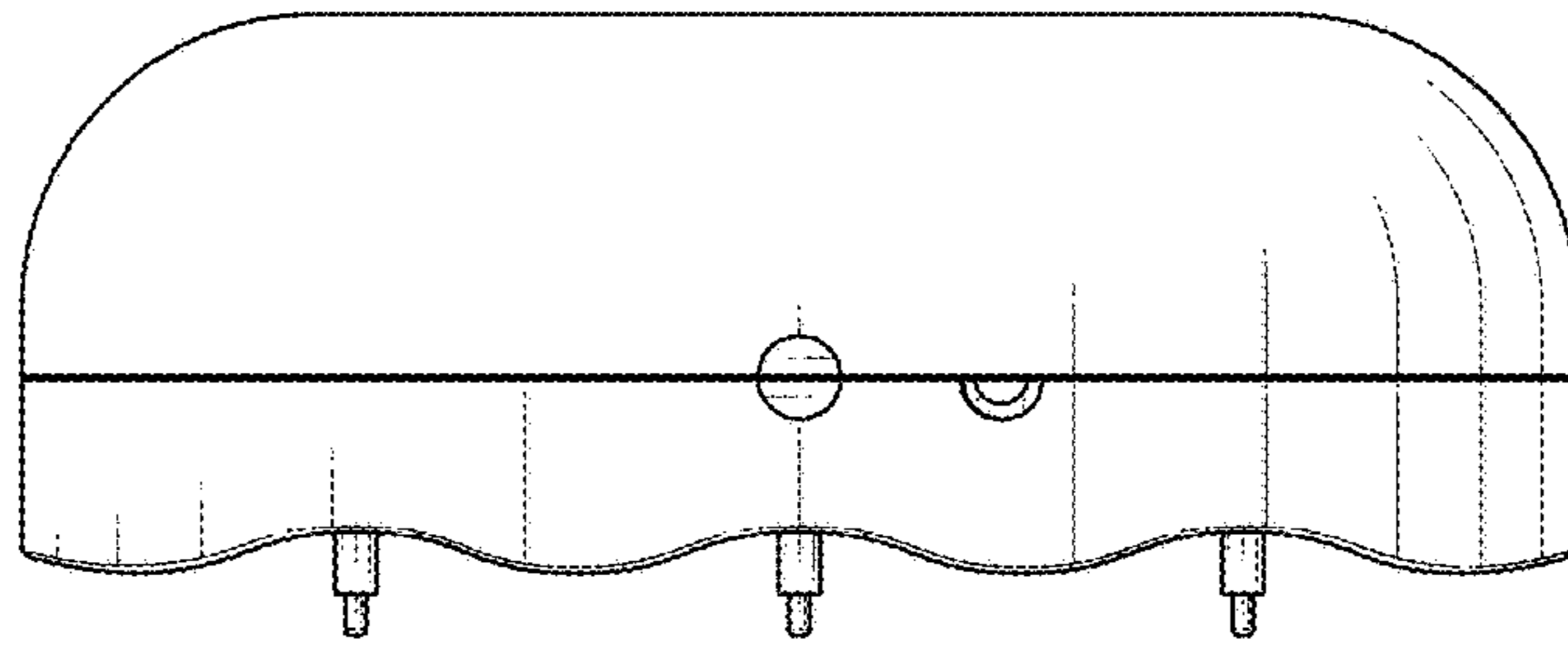


FIG. 2

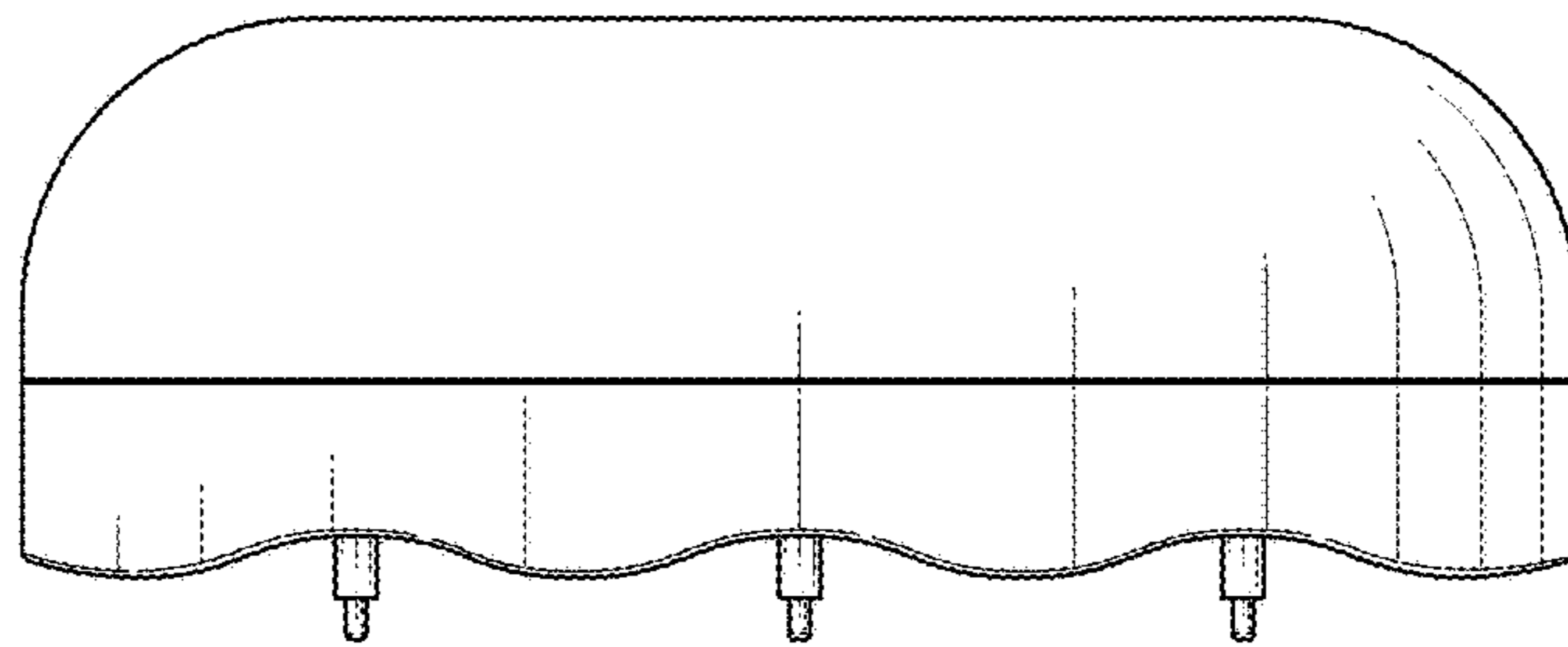


FIG. 3

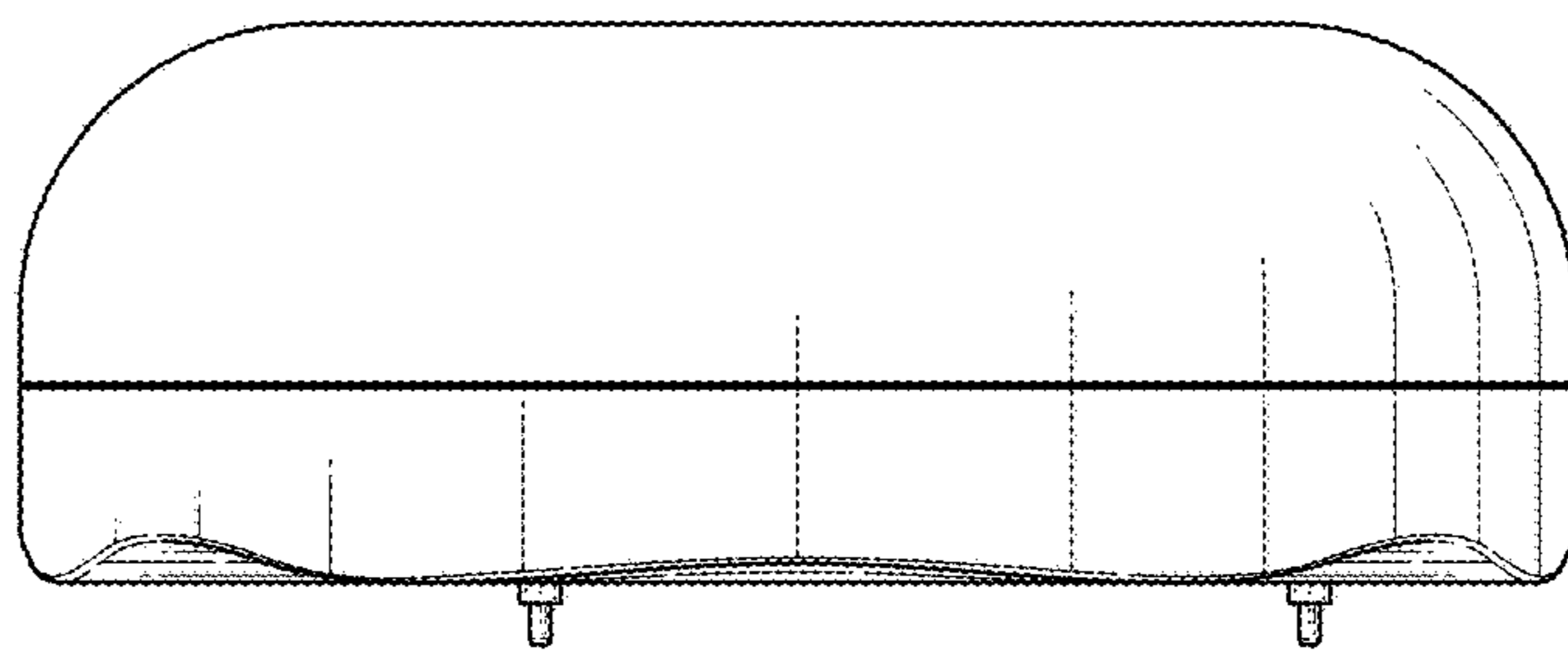


FIG. 4

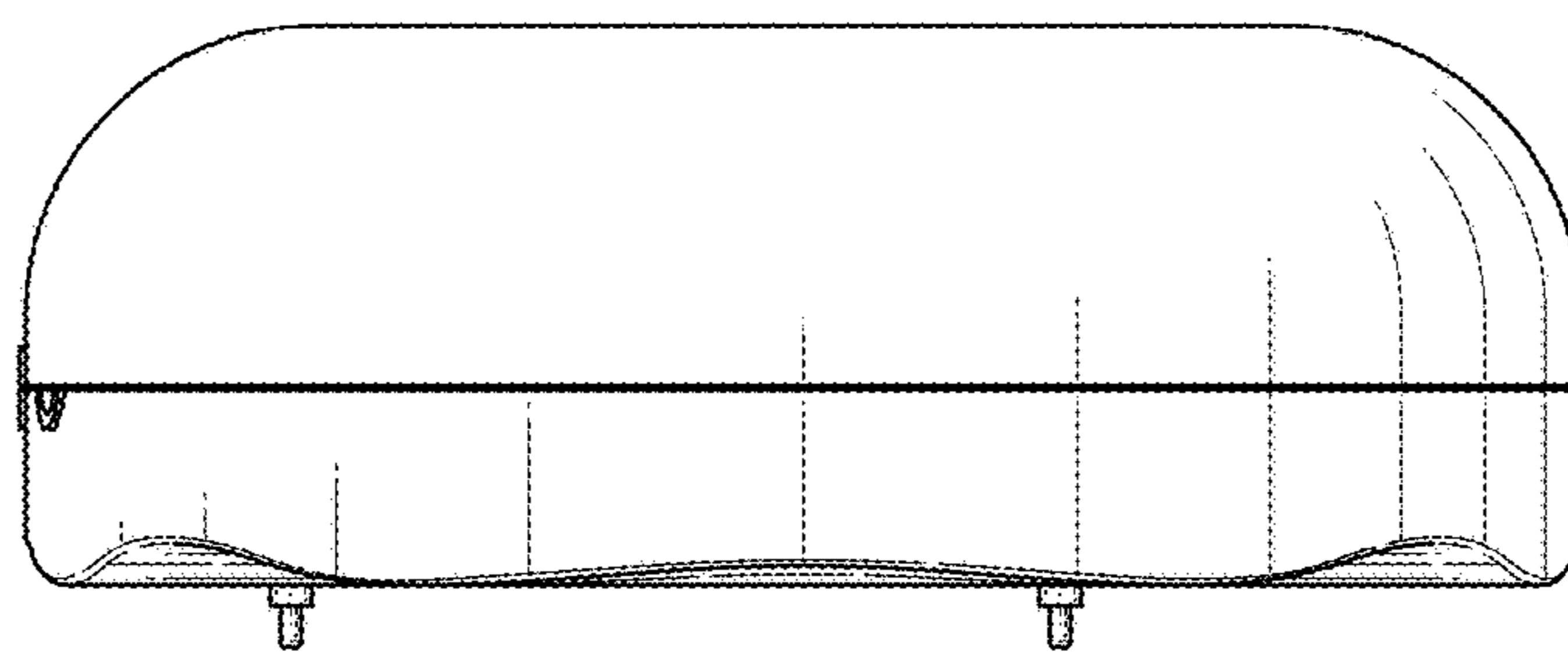


FIG. 5

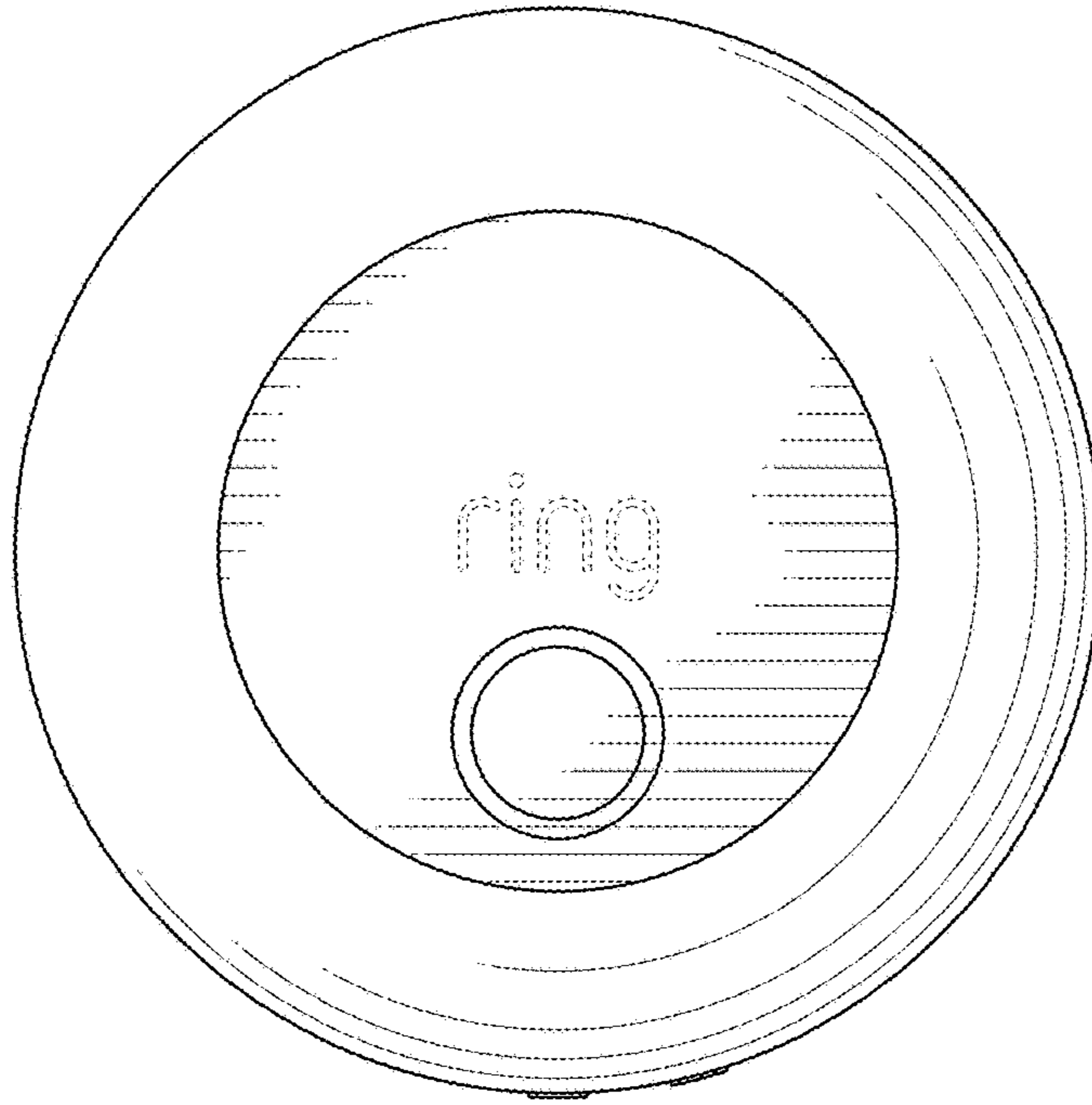


FIG. 6

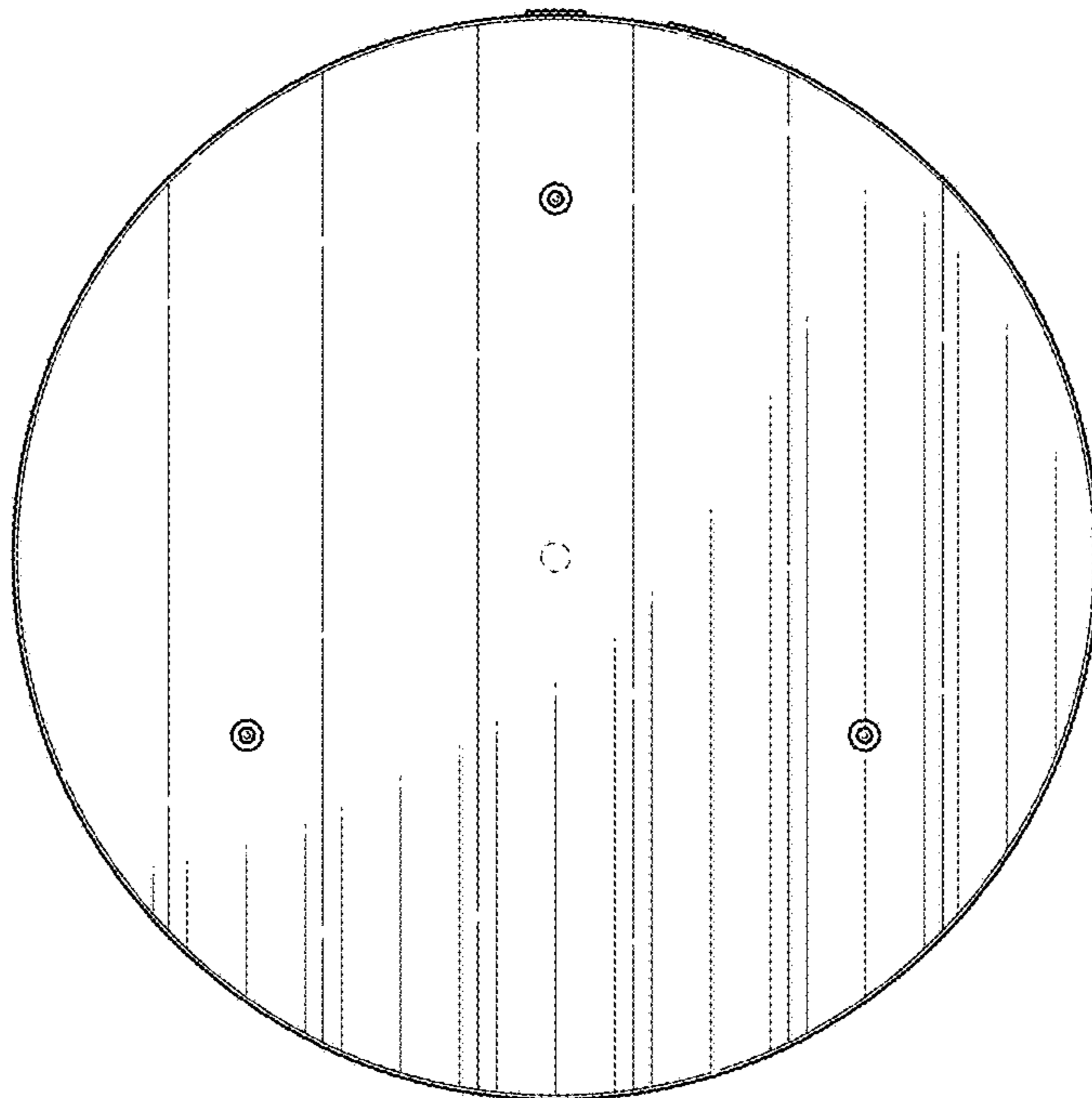


FIG. 7

UNITED STATES PATENT AND TRADEMARK OFFICE
CERTIFICATE OF CORRECTION

PATENT NO. : D850,939 S
APPLICATION NO. : 29/623299
DATED : June 11, 2019
INVENTOR(S) : Mark Siminoff et al.

Page 1 of 1

It is certified that error appears in the above-identified patent and that said Letters Patent is hereby corrected as shown below:

On the Title Page

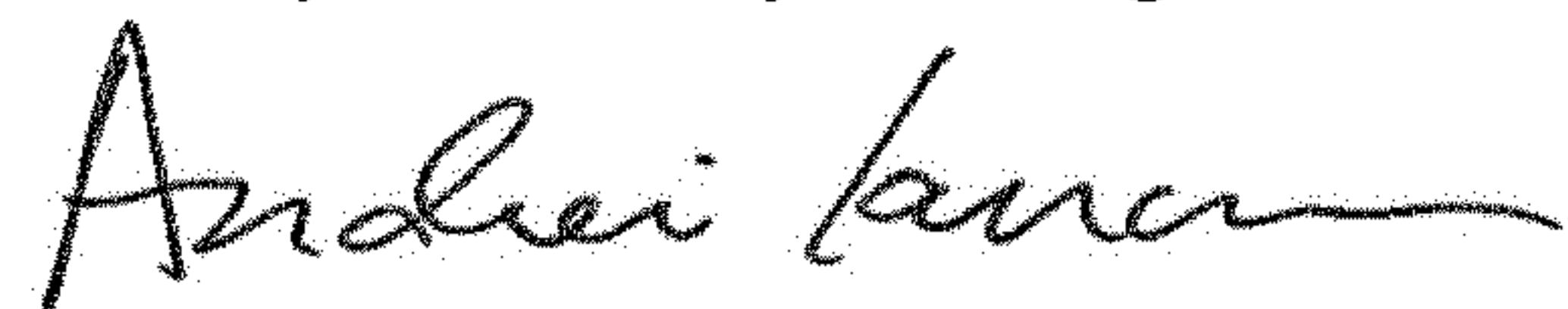
At item (72) Inventors:

-- Mark Siminoff, Mountain View, CA (US);
Spiro Sacre, Los Angeles, CA (US);
Andrew L. Russell, Philadelphia, PA (US);
David DiOrio, Santa Monica, CA (US);
Peter Gerstberger, Laguna Niguel, CA (US);
Christopher Loew, Palo Alto, CA (US) --

Should be replaced with:

-- Mark Siminoff, Mountain View, CA (US);
Timothy G. Wellener, Phoenixville, PA (US);
Vinay Sao, Malvern, PA (US);
Peter Gerstberger, Laguna Niguel, CA (US);
Andrew L. Russell, Philadelphia, PA (US);
Christopher Loew, Palo Alto, CA (US) --

Signed and Sealed this
Twenty-fifth Day of August, 2020



Andrei Iancu
Director of the United States Patent and Trademark Office