



US00D850936S

(12) **United States Design Patent** (10) **Patent No.:** **US D850,936 S**  
**Behling** (45) **Date of Patent:** **\*\* \*Jun. 11, 2019**

(54) **WATCH CASE WITH STRAP**  
(71) Applicant: **LVMH Swiss Manufactures SA**, La Chaux-de-Fonds (CH)

D629,322 S \* 12/2010 Behling ..... D10/124  
D630,121 S \* 1/2011 Roysky ..... D11/3  
D637,919 S \* 5/2011 Duval ..... D10/32  
D655,630 S \* 3/2012 Behling ..... D10/38  
(Continued)

(72) Inventor: **Christoph Behling**, London (GB)

**OTHER PUBLICATIONS**

(73) Assignee: **LVMH SWISS MANUFACTURES SA**, La Chaux-de-Fonds (CH)

The Carrera Heuer 01 Chronograph | posted at hodinkee.com Nov. 2015 © 2009-2018, HODINKEE INC[online][site visted Jun. 6, 2018]. Available from internet: <https://www.hodinkee.com/articles/a-look-at-the-carrera-heuer-01-chronograph-with-tag-heuers-head-of-products> (Year: 2015).\*

(\* ) Notice: This patent is subject to a terminal disclaimer.

(\*\*) Term: **15 Years**

(Continued)

(21) Appl. No.: **29/614,578**

*Primary Examiner* — Sandra S Snapp

(22) Filed: **Aug. 21, 2017**

*Assistant Examiner* — Katherine Glennon

(30) **Foreign Application Priority Data**

(74) *Attorney, Agent, or Firm* — Brinks Gilson & Lione; John C. Freeman

Feb. 22, 2017 (WO) ..... 2459401

(51) **LOC (11) Cl.** ..... **10-02**

(57) **CLAIM**

(52) **U.S. Cl.**  
USPC ..... **D10/32**

The ornamental design for a watch case with strap, as shown and described.

(58) **Field of Classification Search**  
USPC ..... D10/30-39, 42, 122-124, 126, 128;  
D11/3; D14/344; D99/28, 99; D24/167,  
D24/186  
See application file for complete search history.

**DESCRIPTION**

(56) **References Cited**

**U.S. PATENT DOCUMENTS**

D285,422 S \* 9/1986 Grimes ..... D10/32  
D327,440 S \* 6/1992 Galli ..... D10/126  
D349,257 S \* 8/1994 Polenberg ..... D11/3  
D381,920 S \* 8/1997 Galli ..... D10/30  
D395,241 S \* 6/1998 Galli ..... D10/30  
D460,003 S \* 7/2002 Jamin ..... D10/32  
D536,627 S \* 2/2007 Behling ..... D10/38  
D580,277 S \* 11/2008 Brady ..... D10/32  
D619,916 S \* 7/2010 Tedeschi ..... D10/126

FIG. 1 is a top view of a watch case with strap according to the present invention;  
FIG. 2 is a bottom view;  
FIG. 3 is a front view;  
FIG. 4 is a rear view;  
FIG. 5 is a right side view;  
FIG. 6 is a left side view;  
FIG. 7 is a top perspective view;  
FIG. 8 is a top perspective exploded view;  
FIG. 9 is a bottom perspective view; and,  
FIG. 10 is bottom perspective exploded view.  
The ornamental design which is claimed is shown in solid lines in the drawings. The broken lines showing, of portions of the article form no part of the claimed design.

**1 Claim, 10 Drawing Sheets**







FIG. 1

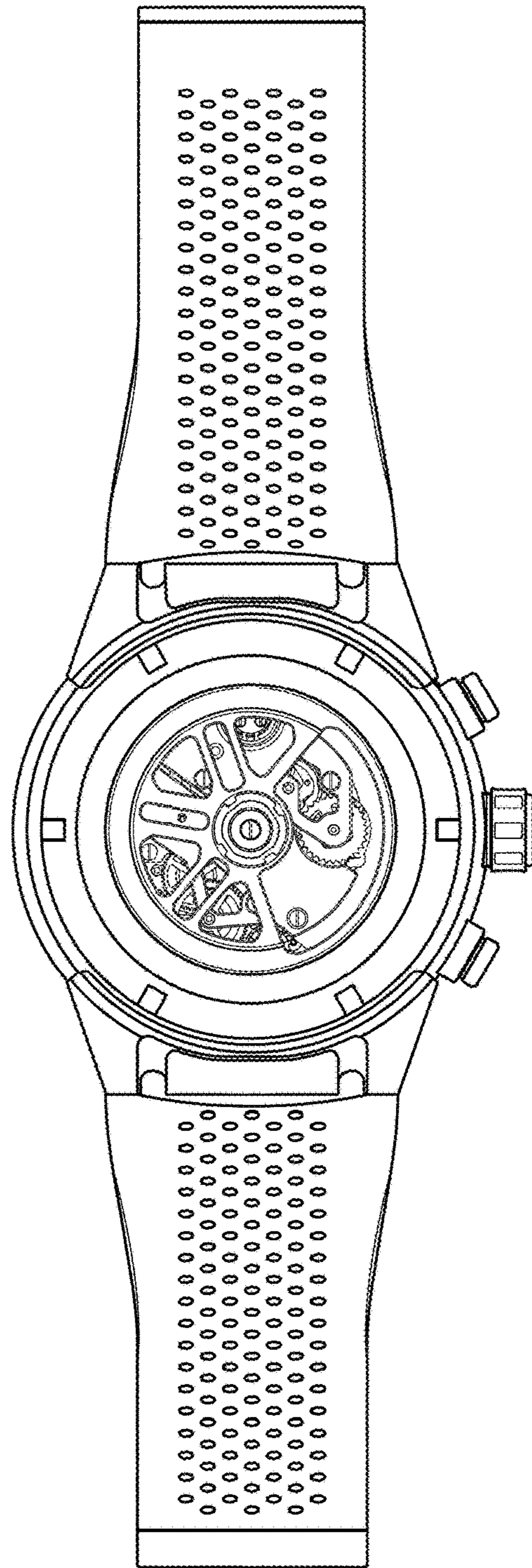


FIG. 2

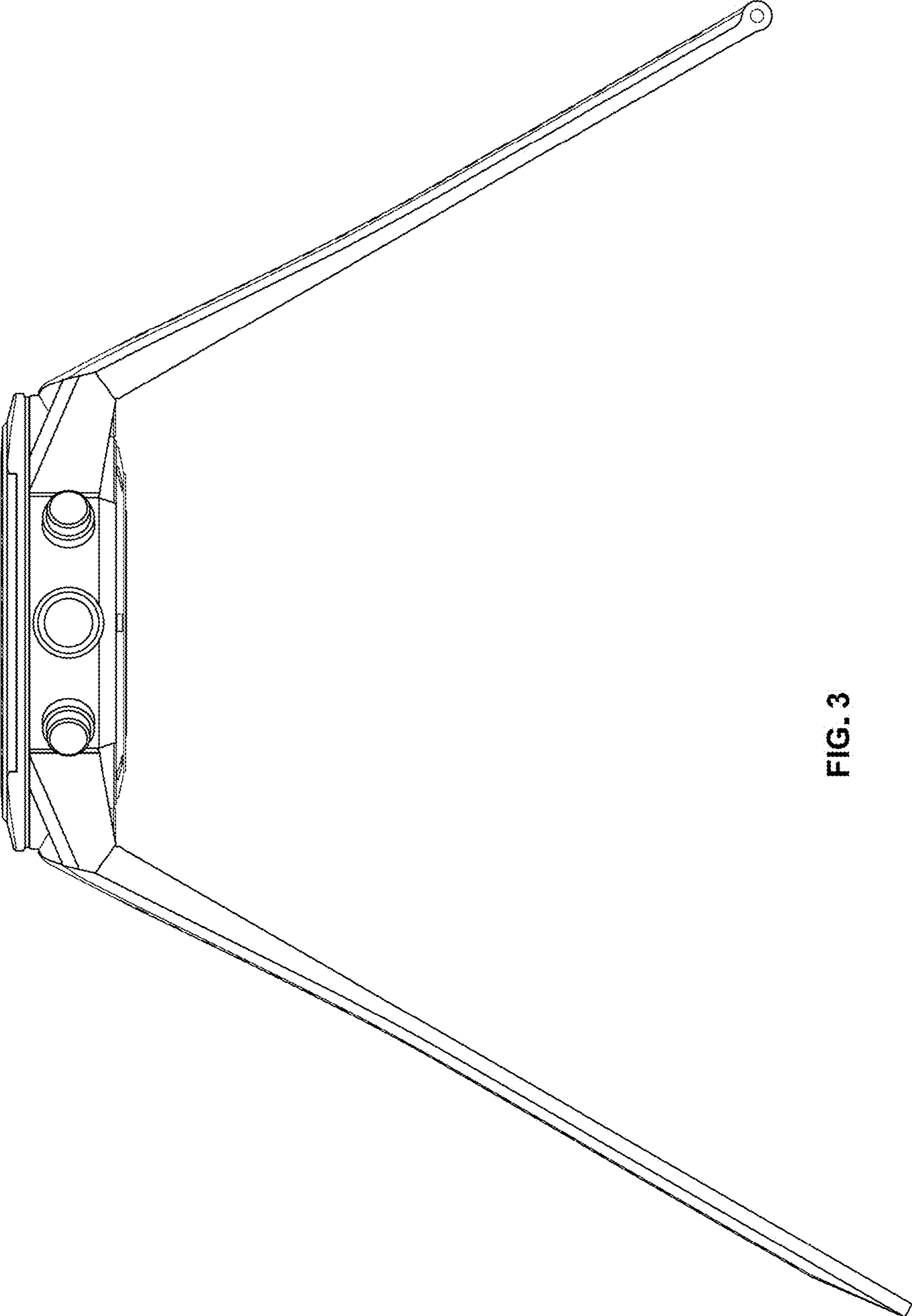


FIG. 3

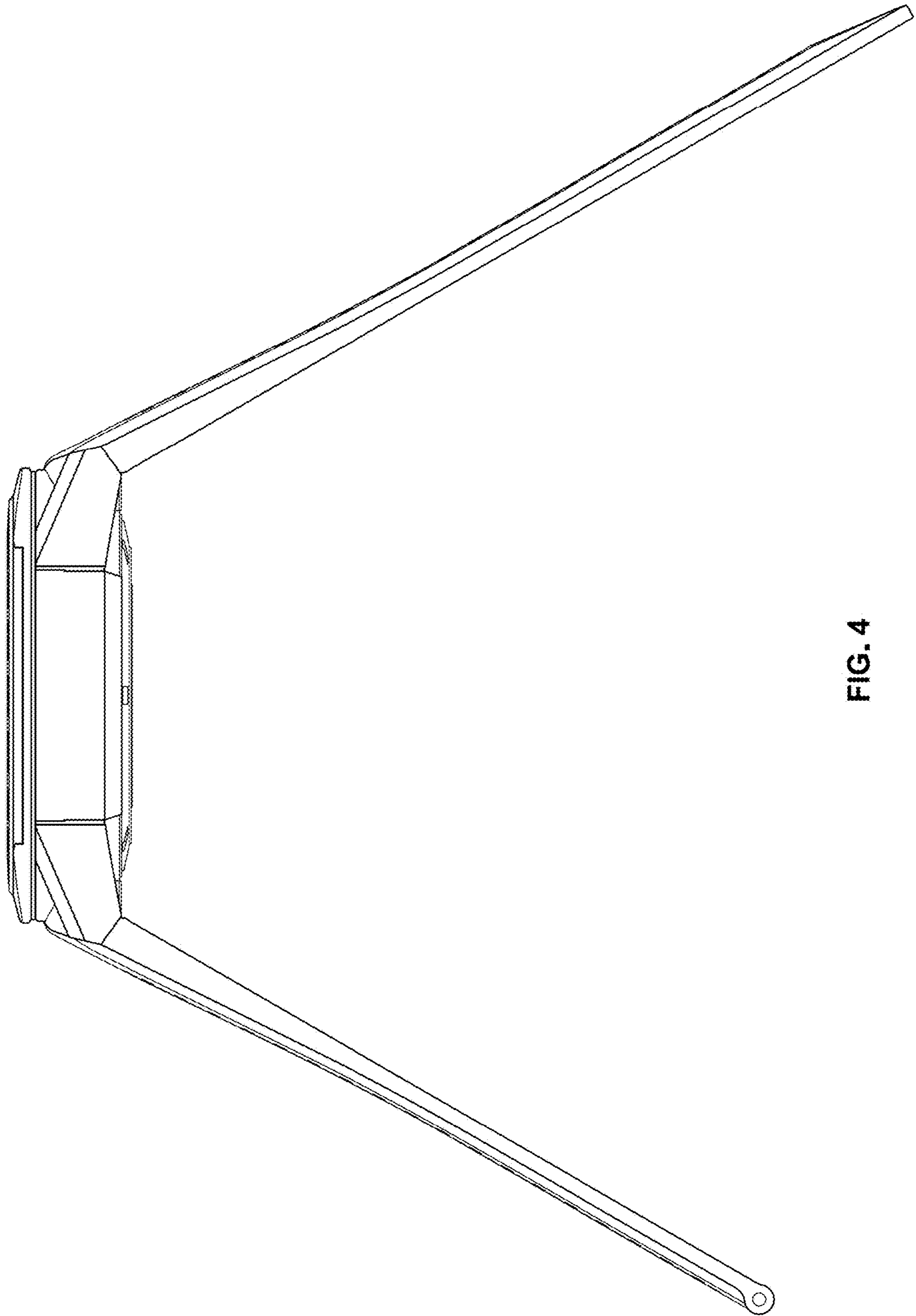


FIG. 4

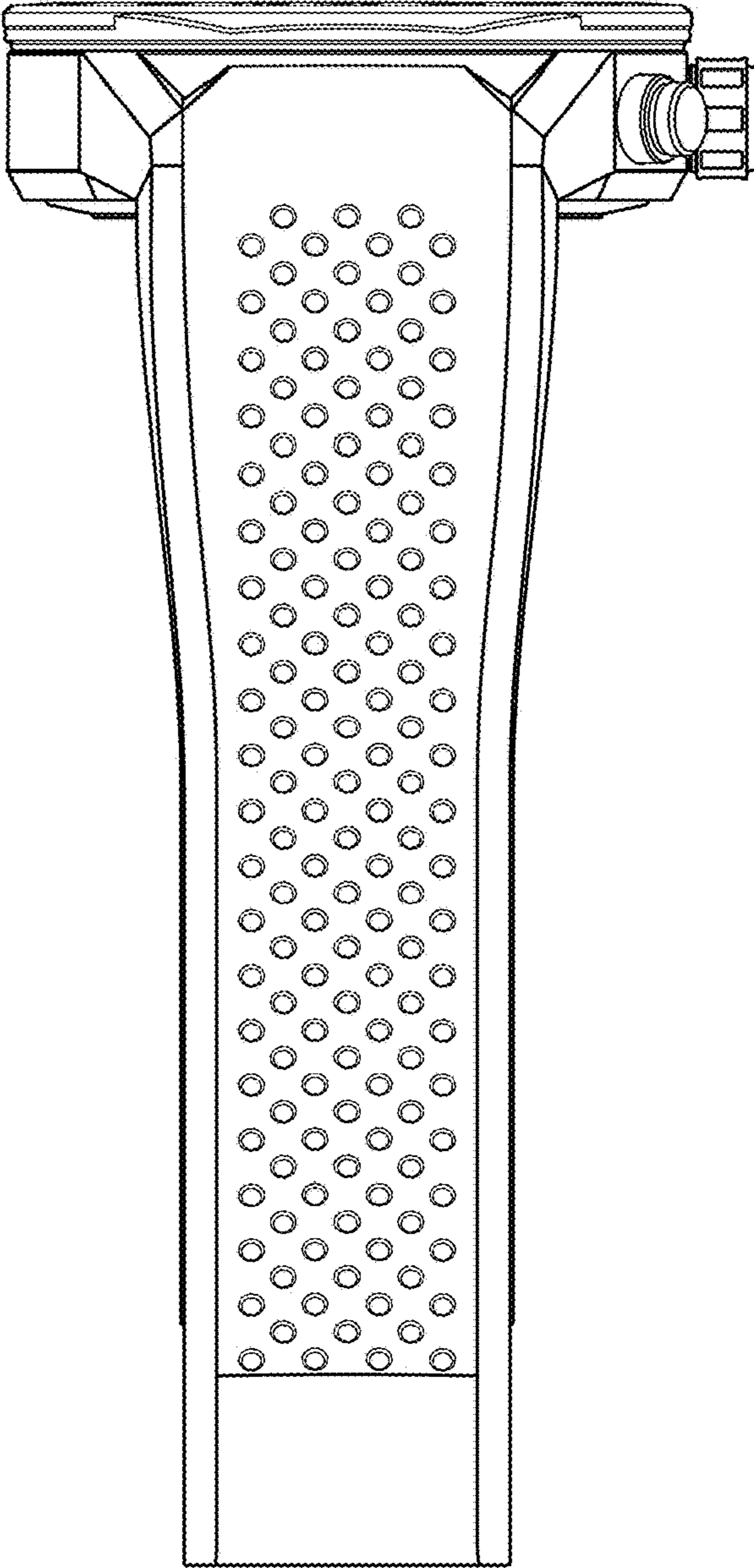


FIG. 5

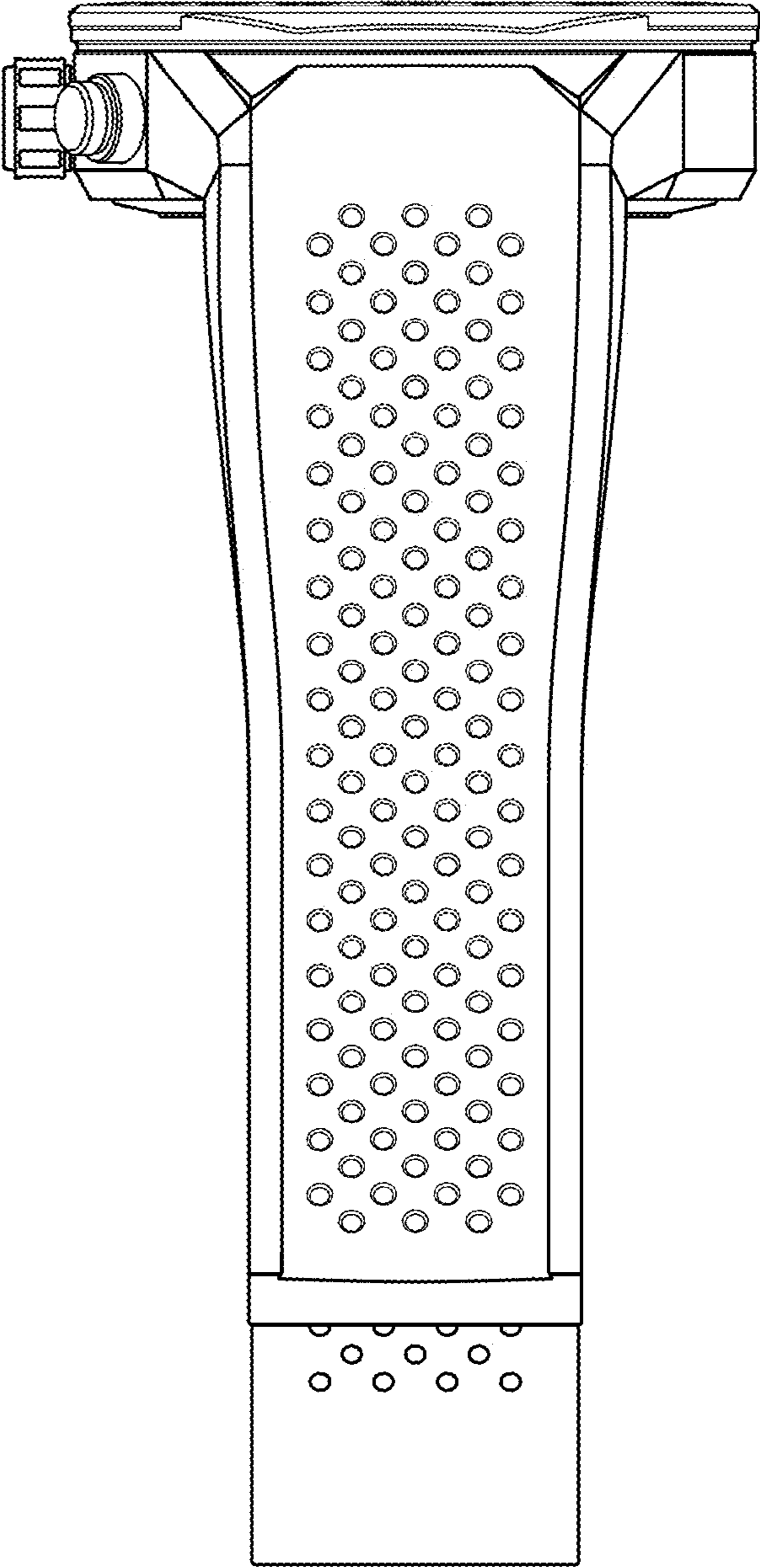


FIG. 6



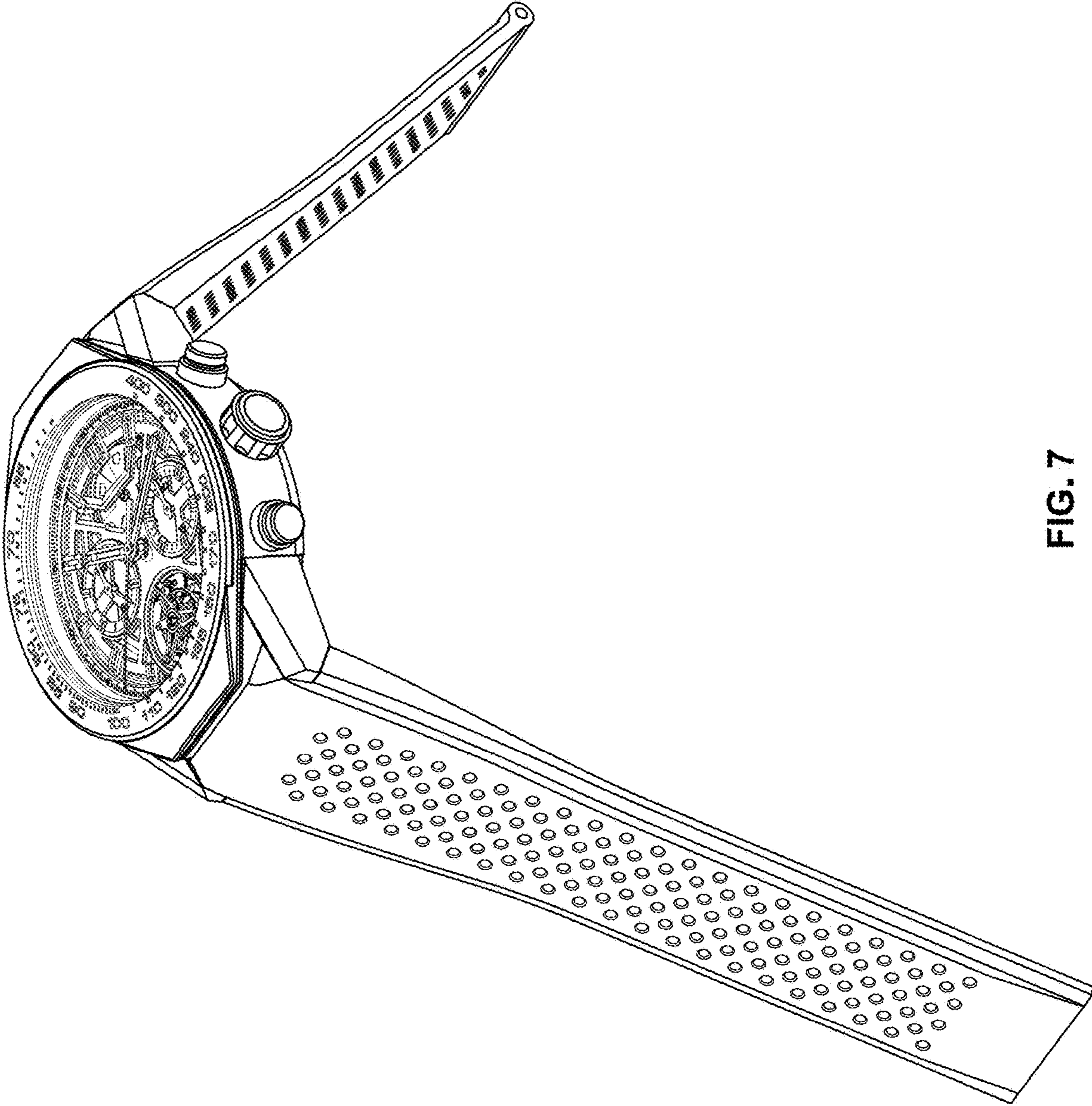


FIG. 7

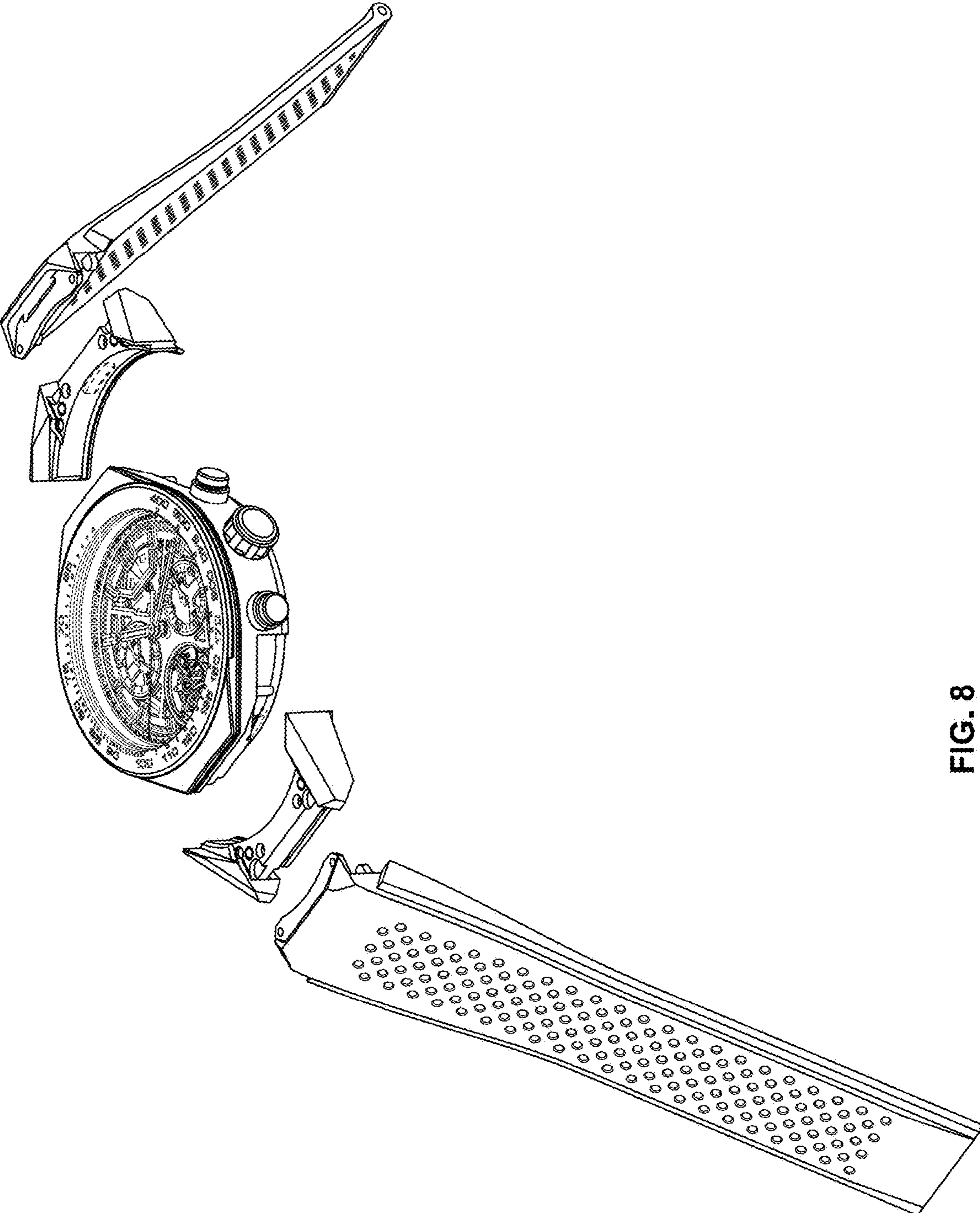


FIG. 8

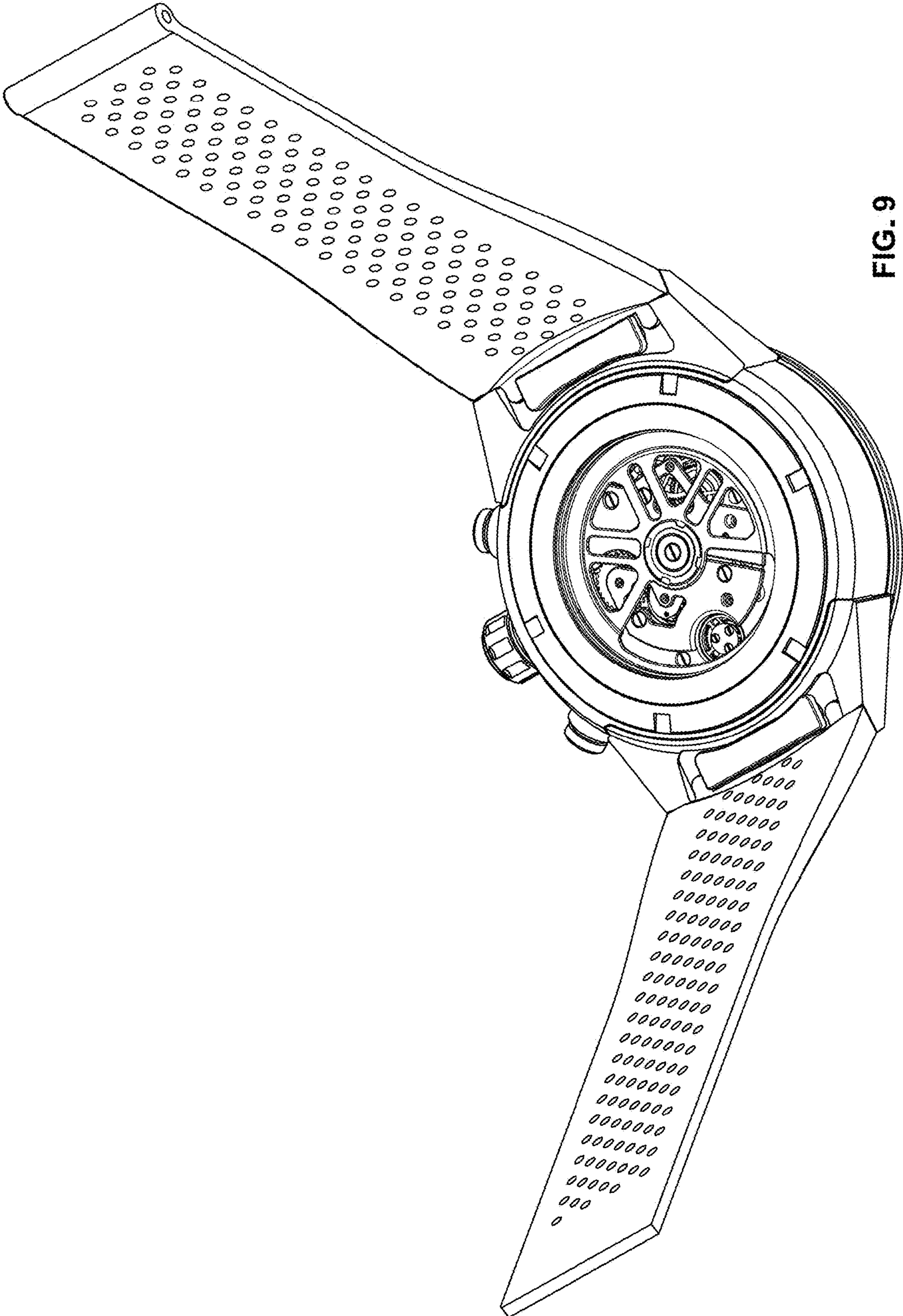


FIG. 9

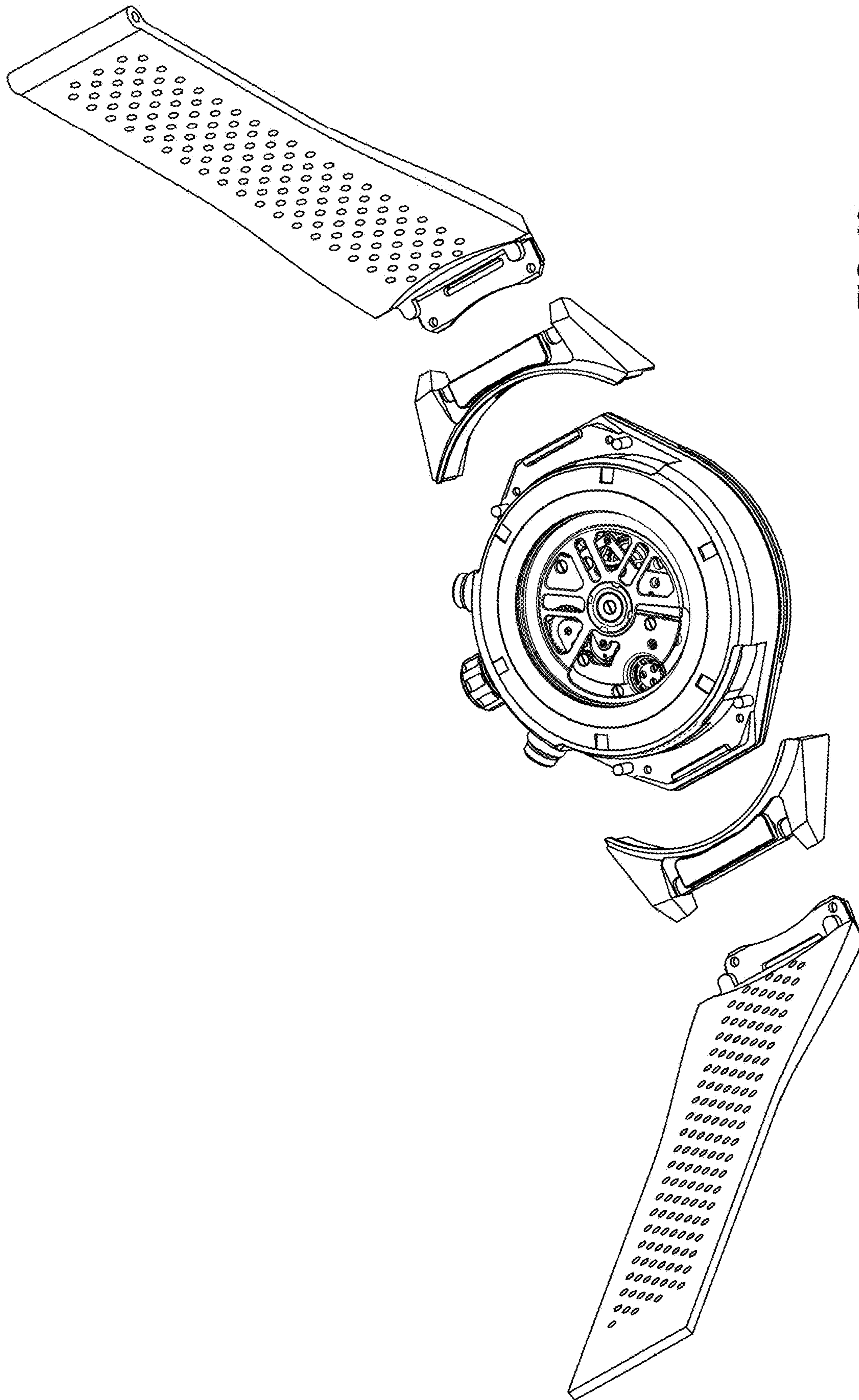


FIG. 10