



US00D850934S

(12) **United States Design Patent**
Castillo et al.

(10) **Patent No.:** **US D850,934 S**
(45) **Date of Patent:** **** Jun. 11, 2019**

(54) **FOOD CONTAINER**

- (71) Applicant: **NatureSweet, Ltd.**, San Antonio, TX (US)
- (72) Inventors: **Lorraine Castillo**, San Antonio, TX (US); **Santa Monica Crespo Villegas**, Jalisco (MX); **Leonardo Magana**, San Bernardino, CA (US); **Jacob Teitelbaum**, Oakland, CA (US)
- (73) Assignee: **NS Brands, Ltd.**, San Antonio, TX (US)

(**) Term: **15 Years**

(21) Appl. No.: **29/621,648**

(22) Filed: **Oct. 10, 2017**

(51) **LOC (11) Cl.** **09-03**

(52) **U.S. Cl.**
USPC **D9/761; D9/757**

(58) **Field of Classification Search**
USPC D9/341, 347, 414-432, 440, 444, 447, D9/449-454, 503, 504, 737, 759, 761, D9/456; D7/672, 601, 550.1, 551.1, D7/551.2, 551.3, 552.1, 552.2, 553.1, D7/553.2, 553.4, 553.5, 553.7, 553.8, D7/554.1, 554.3, 555, 557, 602, 629, 630, D7/538-542, 612-615, 584, 586, 587, D7/392.1, 709, 502, 608, 622, 701, 703, D7/543-549, 317-319, 391, 392, 396.2, D7/510, 511; D3/273, 201-206, 276, D3/283, 284, 295, 274, 302; D11/143; 220/575, 500, 505-507, 523, 553, 555, 220/556; 206/216, 217, 541-550, 518, 206/557, 558, 561, 564, 223, 467;
(Continued)

(56) **References Cited**

U.S. PATENT DOCUMENTS

- D260,219 S * 8/1981 Blake D7/501
 - D395,599 S * 6/1998 Wyslowsky D9/425
- (Continued)

OTHER PUBLICATIONS

NatureSweet Eclipses, available Sep. 23, 2017, [online], [site visited Jan. 3, 2019]. Available from internet, <URL: https://web.archive.org/web/20170923202944/https://naturesweet.com/our-tomatoes/eclipses/ (Year: 2017).*

Primary Examiner — Cathron C Brooks

Assistant Examiner — W. A. Teddy Falloway

(74) *Attorney, Agent, or Firm* — Norton Rose Fulbright US LLP

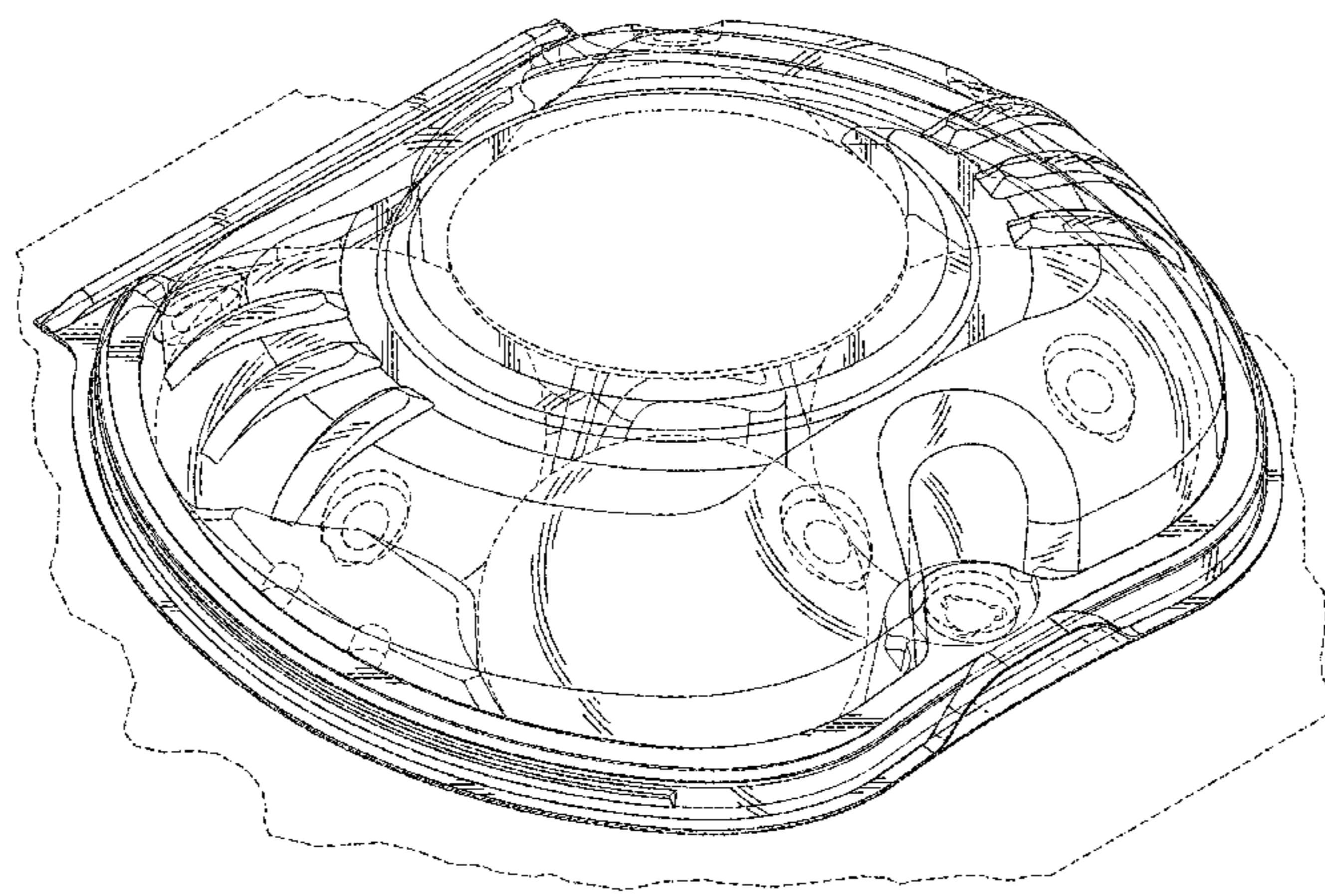
(57) **CLAIM**

The ornamental design for a food container, as shown and described.

DESCRIPTION

FIG. 1 is a front perspective view of a food container showing our new design;
 FIG. 2 is a front elevation view thereof;
 FIG. 3 is a rear elevation view thereof;
 FIG. 4 is a right side elevation view thereof;
 FIG. 5 is a left side elevation view thereof;
 FIG. 6 is a top plan view thereof;
 FIG. 7 is a bottom plan view thereof;
 FIG. 8 is a bottom perspective view thereof;
 FIG. 9 is a front perspective view thereof, shown in an upright position; and,
 FIG. 10 is a front perspective view thereof, which shows the food container empty and opened (an alternate position of the upper portion of the food container).
 The broken lines showing tomatoes in FIGS. 1-6 and 9, and the flat surface shown below the design in FIGS. 1 and 9, represent environment. All others broken lines illustrate portions of the food container. The broken lines form no part of the claimed design.

1 Claim, 8 Drawing Sheets



(58) **Field of Classification Search**

USPC 229/107, 406, 120, 125.17; 249/126,
 249/134; 426/106; 215/211, 200, 224,
 215/243
 CPC B65D 85/34; B65D 85/345; B65D 43/161;
 B65D 43/162; B65D 43/16; B65D 51/28;
 B65D 2543/00194; B65D 2543/00296;
 B65D 1/24; B65D 21/0237; B65D
 2543/00101; B65D 2543/00351; B65D
 1/36; B65D 2543/00555; B65D
 2581/3425; B65D 25/04; B65D 43/0218;
 B65D 2543/00083; B65D 2543/00268;
 B65D 2543/00277; B65D 81/3453; A47G
 19/02; A47G 19/065; A47G 23/0608;
 A47G 23/06
 See application file for complete search history.

(56) **References Cited**

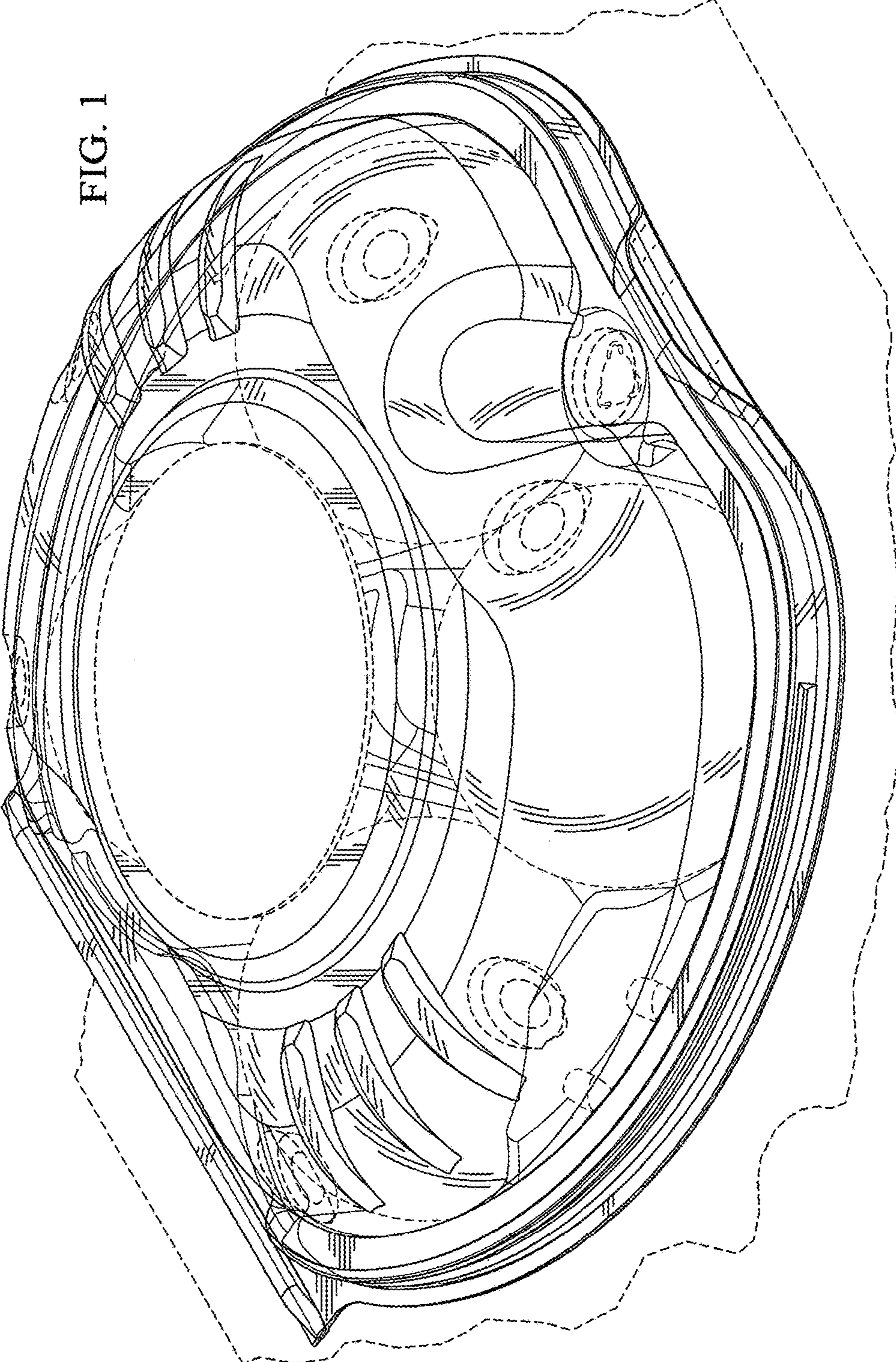
U.S. PATENT DOCUMENTS

D398,845 S * 9/1998 Wyslotsky D9/418
 D398,846 S * 9/1998 Wyslotsky D9/418

D398,847 S * 9/1998 Wyslotsky D9/418
 D433,334 S * 11/2000 Hayes D9/452
 D449,965 S * 11/2001 Liu D7/540
 D478,812 S * 8/2003 Hobbs D9/756
 D484,412 S * 12/2003 Willis D7/392.1
 D485,470 S * 1/2004 Willis D7/538
 D504,281 S * 4/2005 Duggan D7/538
 D512,913 S * 12/2005 Gauthier D9/450
 D660,144 S * 5/2012 Shaver D9/429
 D673,849 S * 1/2013 Barbier D9/429
 D684,461 S * 6/2013 Chen D9/429
 D705,051 S * 5/2014 Cassens D9/424
 D758,183 S * 6/2016 Joergensen D9/426
 D764,275 S * 8/2016 Joergensen D9/425
 D774,387 S * 12/2016 Joergensen D9/425
 D774,903 S * 12/2016 Joergensen D9/425
 D779,934 S * 2/2017 Parikh D9/425
 D781,699 S * 3/2017 Pan D9/423
 D807,167 S * 1/2018 Joergensen D9/425
 2006/0157483 A1 * 7/2006 Evans B65D 21/0234
 220/4.22
 2009/0145908 A1 * 6/2009 Vovan B65D 21/022
 220/575
 2009/0246329 A1 * 10/2009 Isserow B65D 81/3216
 426/113

* cited by examiner

FIG. 1



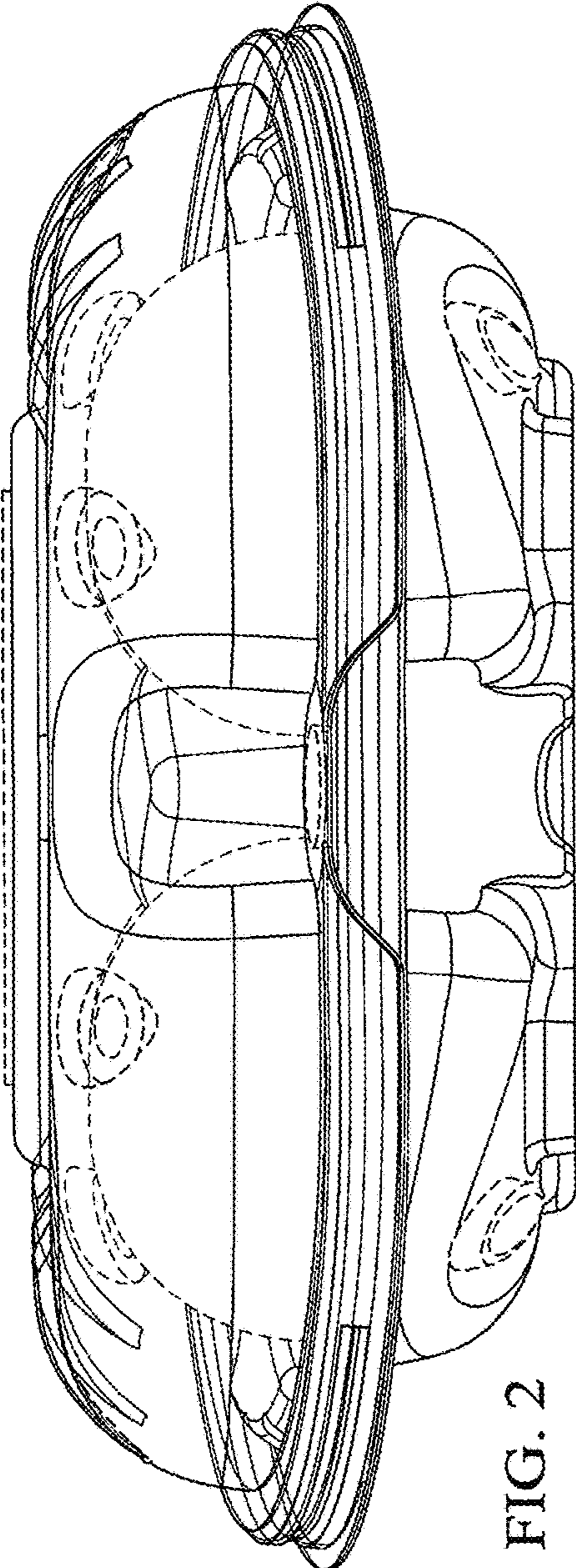


FIG. 2

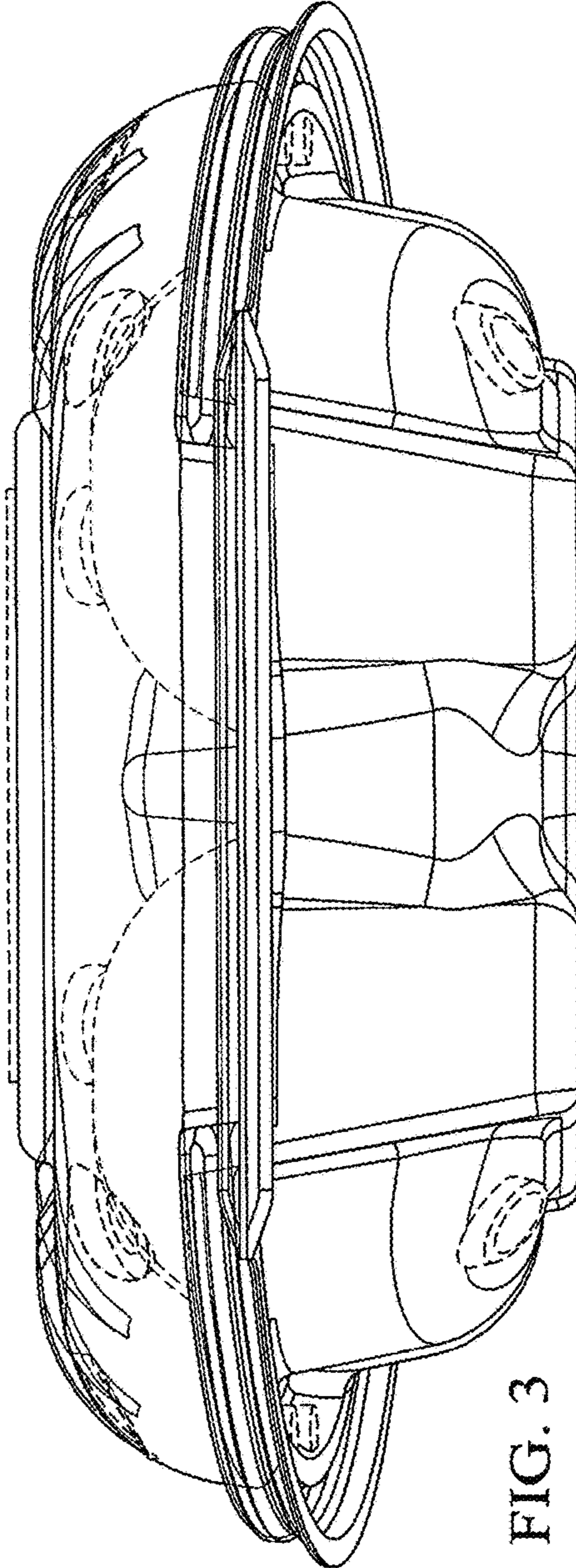


FIG. 3

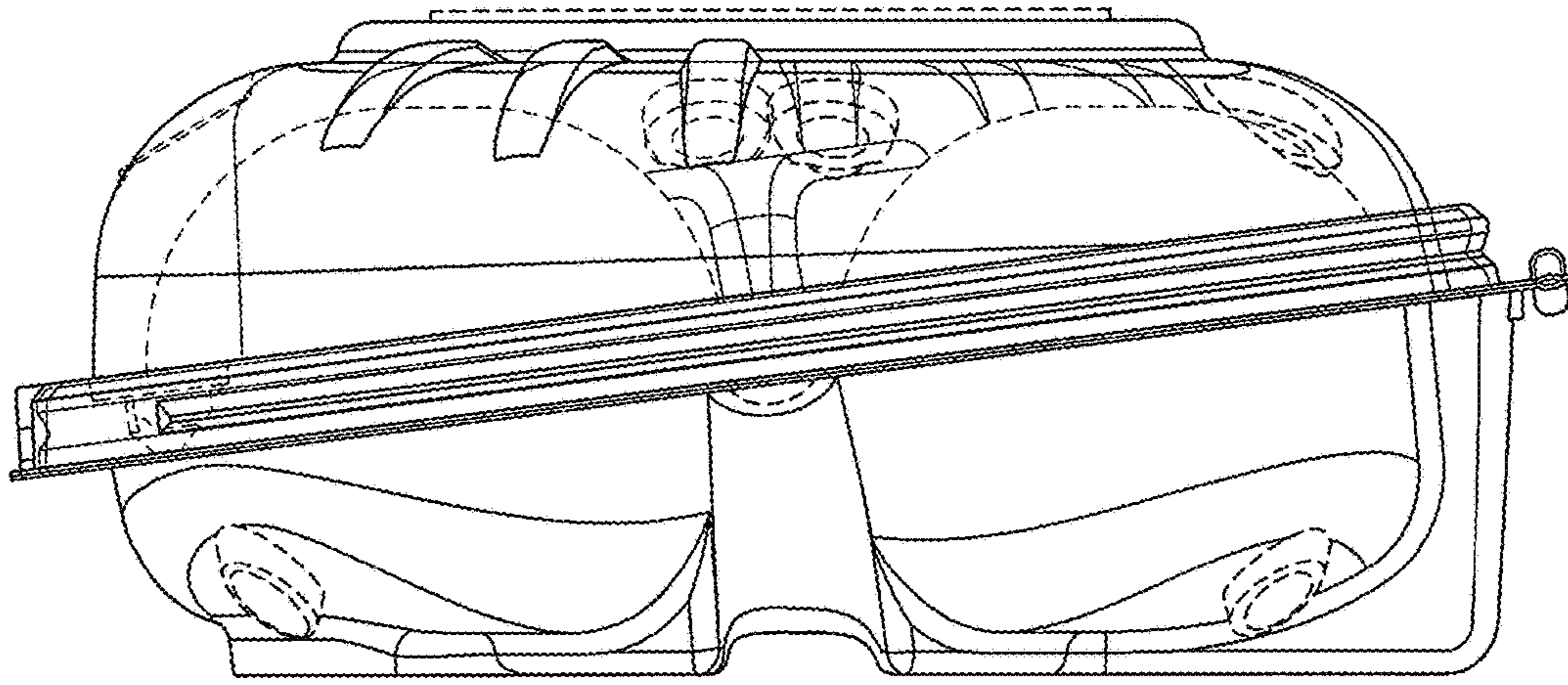


FIG. 4

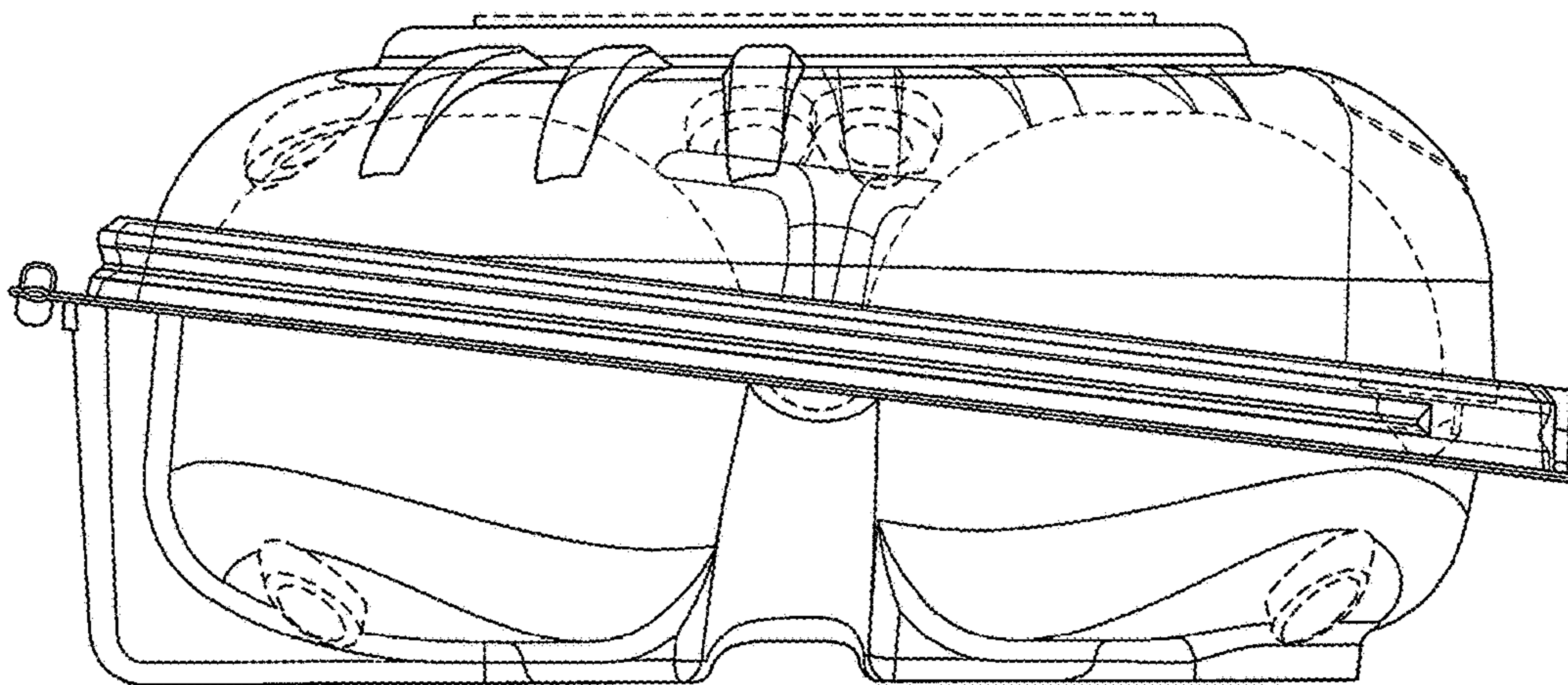


FIG. 5

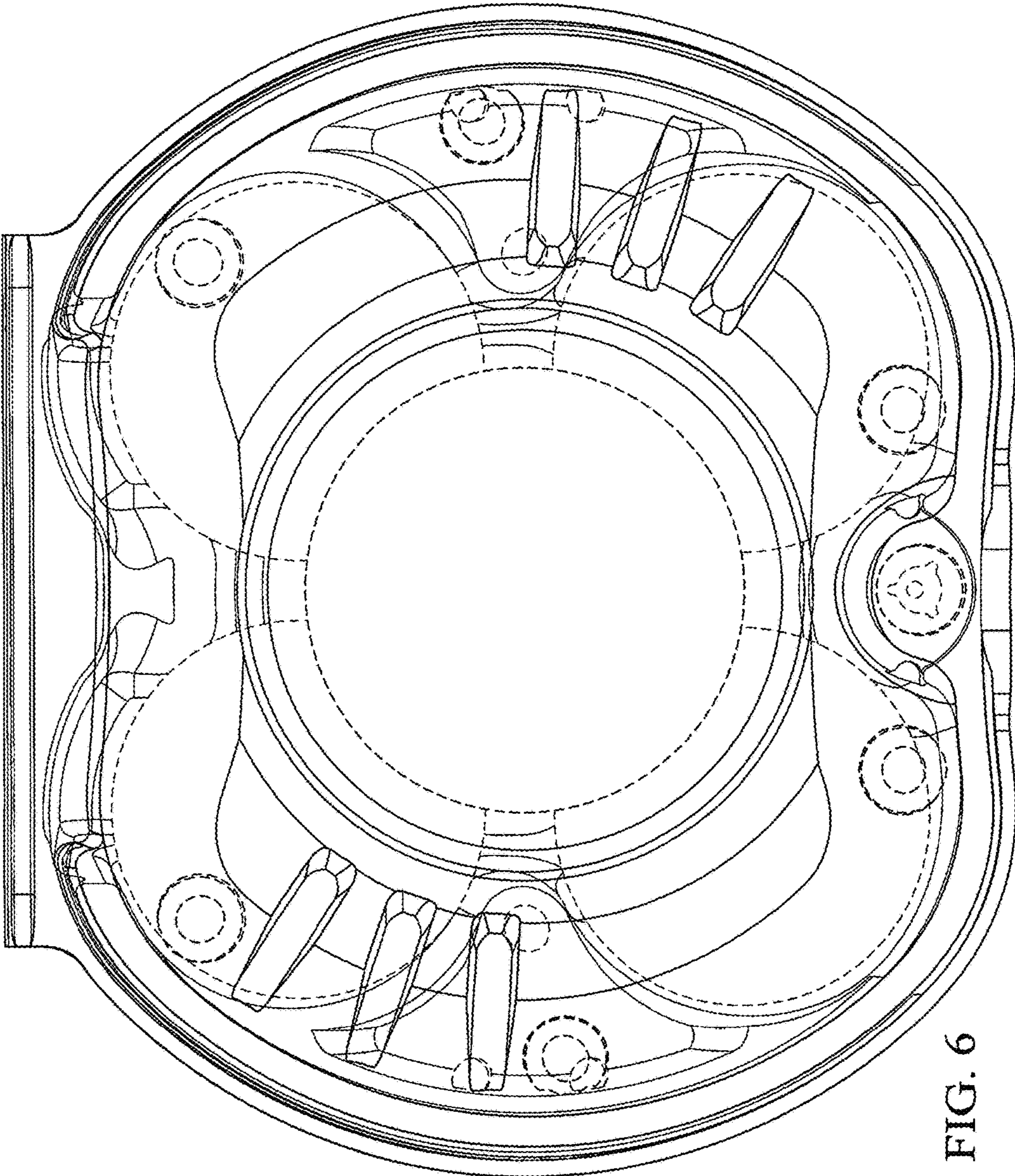


FIG. 6

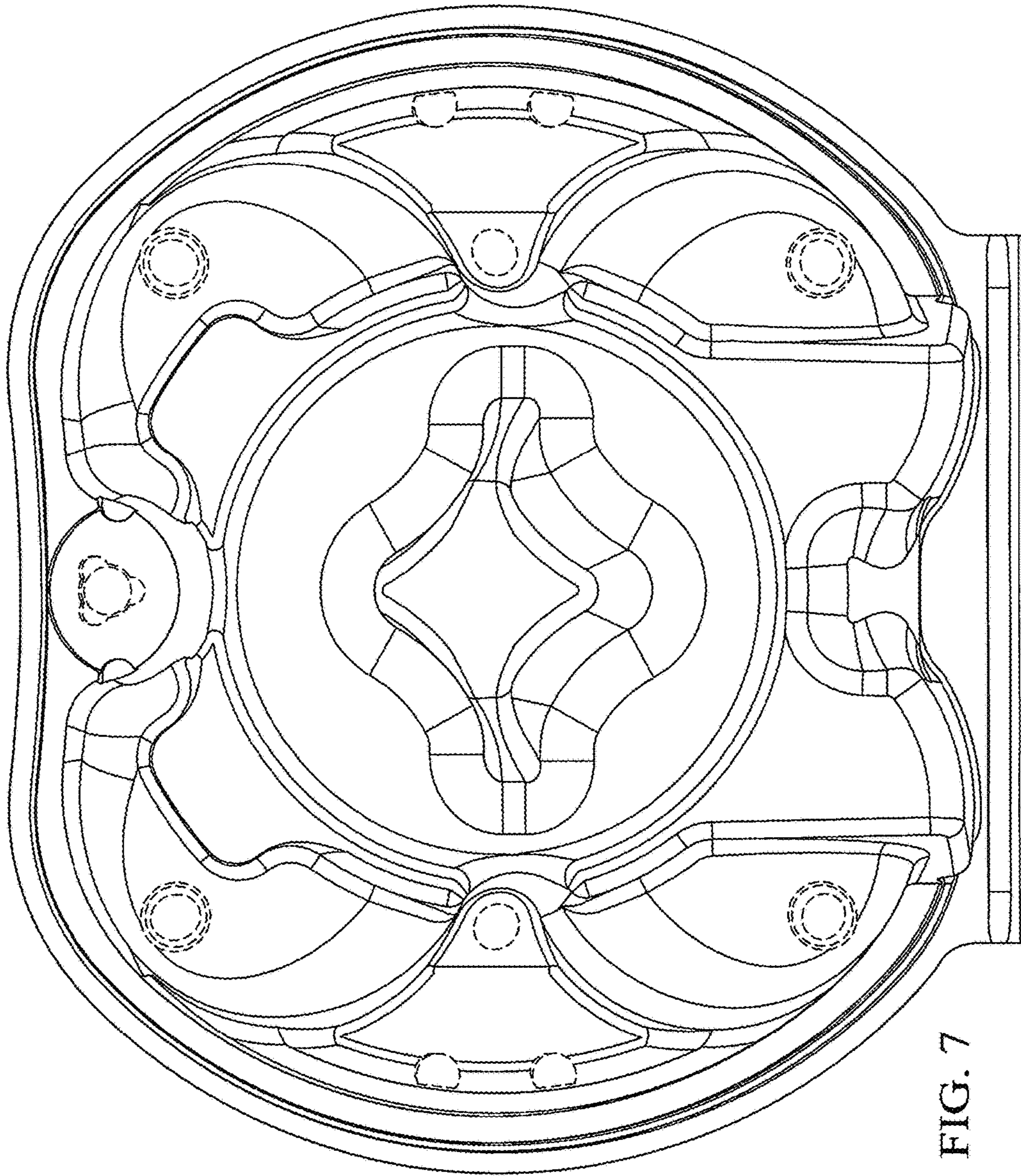


FIG. 7

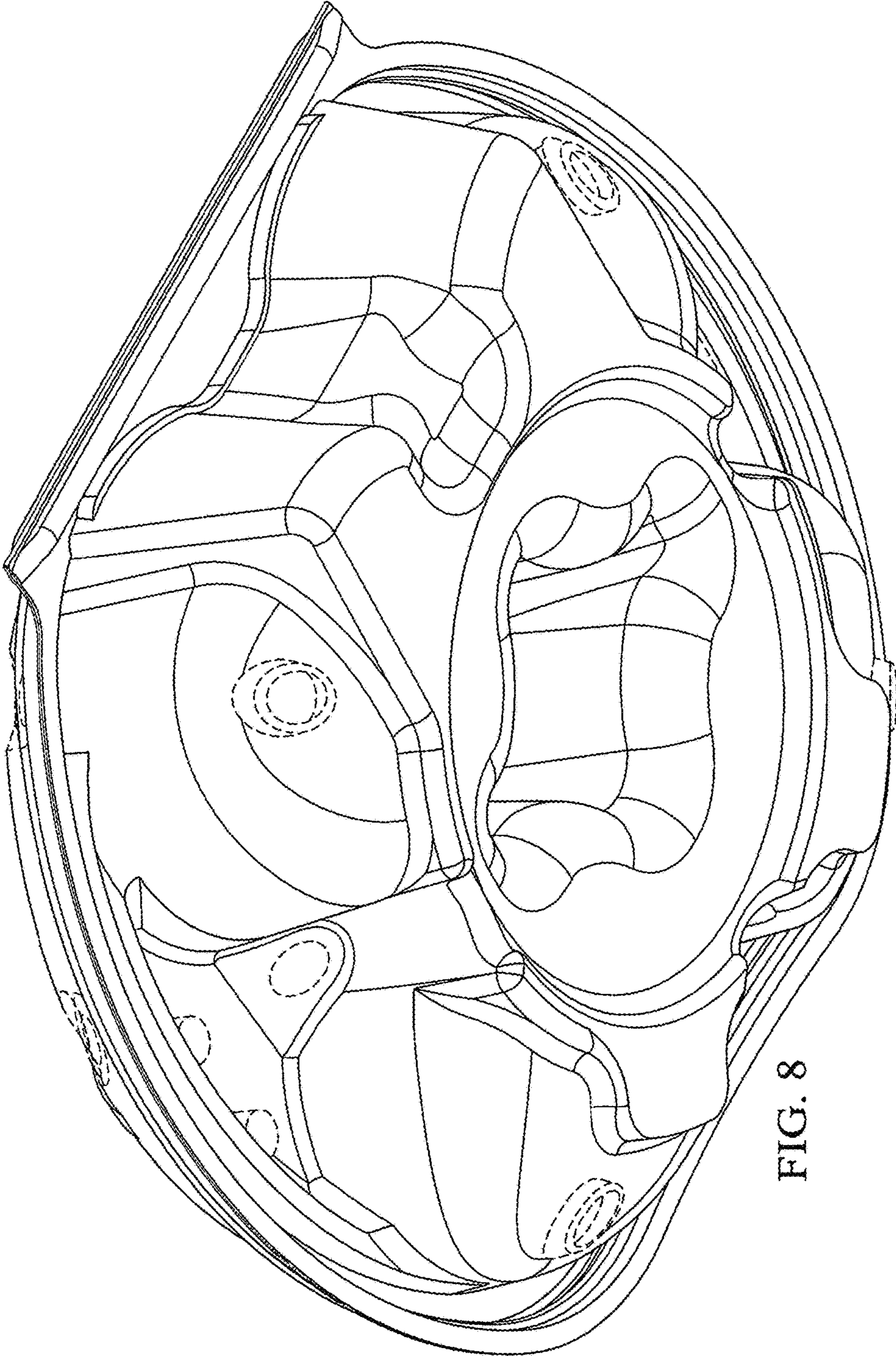


FIG. 8

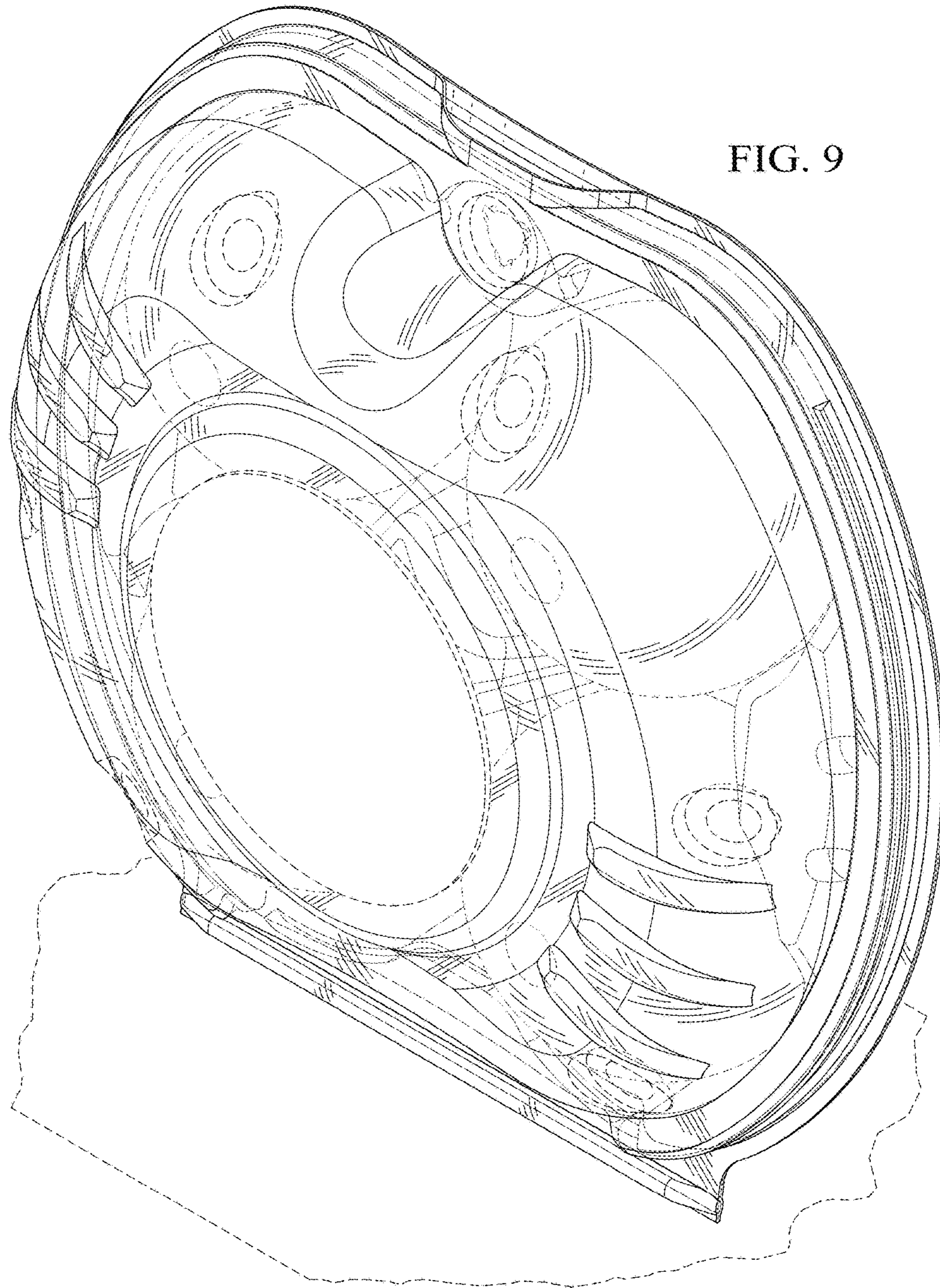


FIG. 9

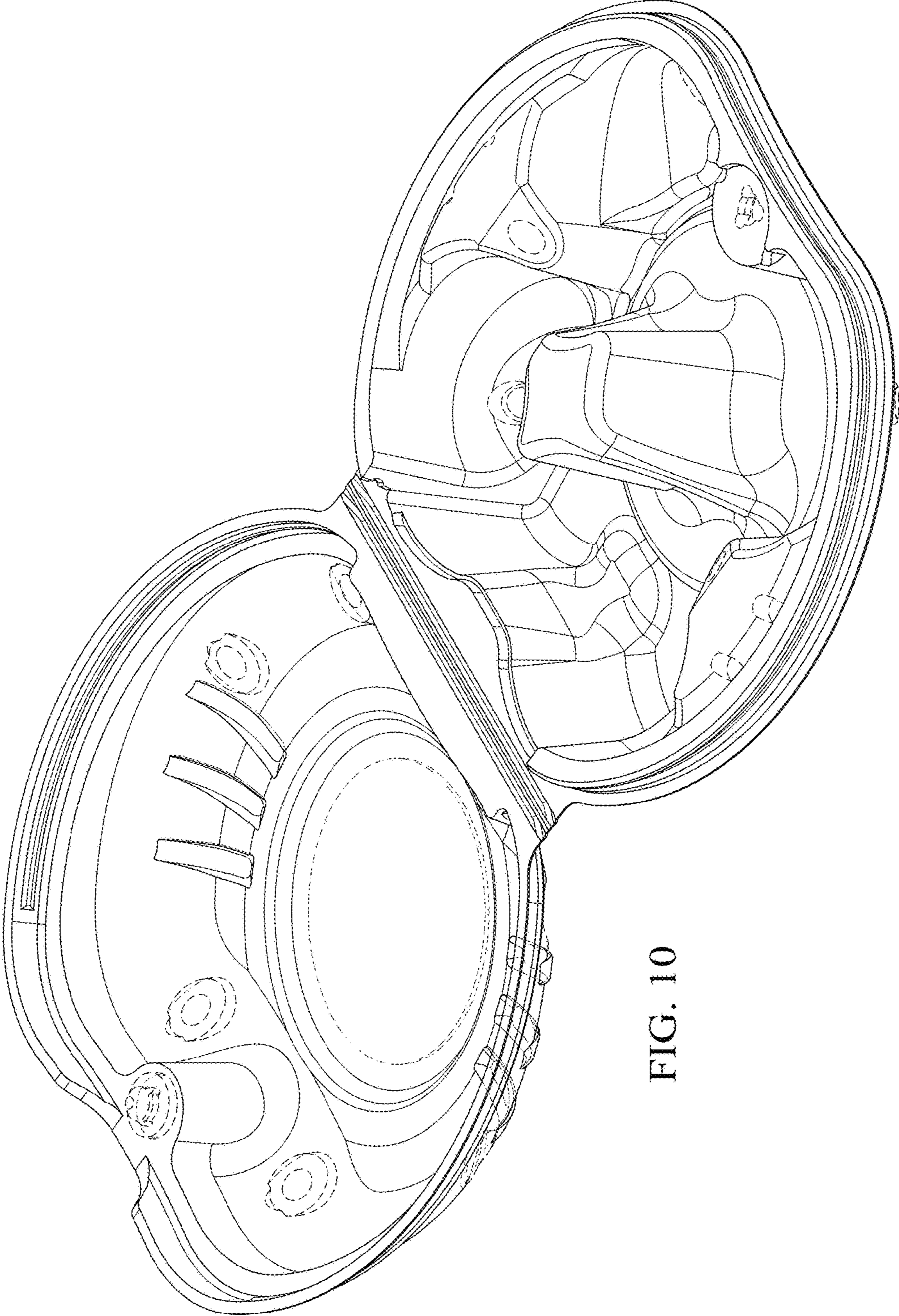


FIG. 10