



US00D850933S

(12) **United States Design Patent** (10) **Patent No.:** **US D850,933 S**  
**Troutt et al.** (45) **Date of Patent:** **\*\* Jun. 11, 2019**

(54) **CONTAINER INSERT**

B65D 2543/0083; B65D 2543/00268;  
B65D 2543/00277; B65D 81/3453; A47G  
19/02;

(71) Applicant: **D6 Inc.**, Portland, OR (US)

(Continued)

(72) Inventors: **Martin Troutt**, Wood Village, OR  
(US); **Ed Dominion**, Portland, OR (US)

(56)

**References Cited**

(73) Assignee: **D6 Inc.**, Portland, OR (US)

U.S. PATENT DOCUMENTS

(\*\*) Term: **15 Years**

D280,060 S \* 8/1985 Holzkopf ..... D7/553.2  
D283,666 S \* 5/1986 Holzkopf ..... D7/357

(Continued)

(21) Appl. No.: **29/639,670**

(22) Filed: **Mar. 7, 2018**

OTHER PUBLICATIONS

(51) **LOC (11) Cl.** ..... **09-03**

U.S. Appl. No. 29/626,695, filed Nov. 19, 2017, 32 pages.

(52) **U.S. Cl.**

(Continued)

USPC ..... **D9/737**

(58) **Field of Classification Search**

*Primary Examiner* — Cathron C Brooks

*Assistant Examiner* — W. A. Teddy Falloway

(74) *Attorney, Agent, or Firm* — Stoel Rives LLP

USPC ..... D9/341, 347, 414–432, 440, 444, 447,  
D9/449–454, 503, 504, 737, 759, 761,  
D9/456; D7/672, 601, 550.1, 551.1,  
D7/551.2, 551.3, 552.1, 552.2, 553.1,  
D7/553.2, 553.4, 553.5, 553.7, 553.8,  
D7/554.1, 554.3, 555, 557, 602, 629, 630,  
D7/538–542, 612–615, 584, 586, 587,  
D7/392.1, 709, 502, 608, 622, 701, 703,  
D7/543–549, 317–319, 391, 392, 396.2,  
D7/510, 511; D3/273, 201–206, 276,  
D3/283, 284, 295, 274, 302; D11/143;  
220/575, 500, 505–507, 523, 553, 555,  
220/556; 206/216, 217, 541–550, 518,  
206/557, 558, 561, 564, 223, 467;  
229/107, 406, 120, 125.17; 249/126,  
249/134; 426/106; 215/211, 200, 224,  
215/243

(57)

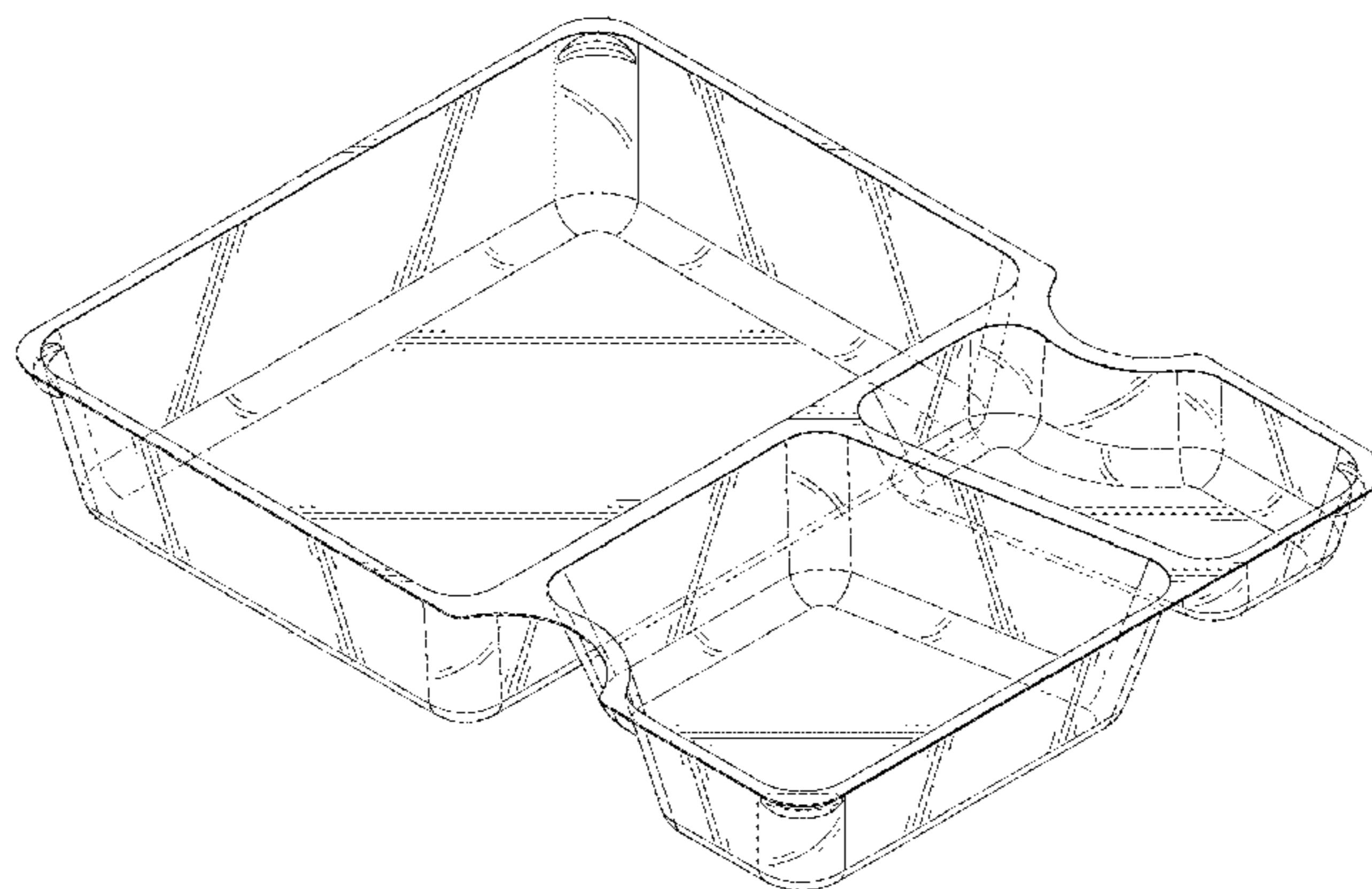
**CLAIM**

The ornamental design for a container insert, as shown and described.

**DESCRIPTION**

FIG. 1 is a front, top perspective view of a container insert showing our new design;  
 FIG. 2 is a front elevation view thereof;  
 FIG. 3 is a rear elevation view thereof;  
 FIG. 4 is a right side view thereof;  
 FIG. 5 is a left side view thereof;  
 FIG. 6 is a top plan view thereof;  
 FIG. 7 is a bottom plan view thereof;  
 FIG. 8 is a front, bottom perspective view thereof;  
 FIG. 9 is another front, top perspective view thereof, shown with environmental subject matter; and,  
 FIG. 10 is an exploded front, top perspective view thereof. The broken lines shown in FIGS. 9 and 10 illustrate environmental structure that forms no part of the claimed design.

**1 Claim, 8 Drawing Sheets**



(58) **Field of Classification Search**

CPC ... A47G 19/065; A47G 23/0608; A47G 23/06  
See application file for complete search history.

(56) **References Cited**

U.S. PATENT DOCUMENTS

D352,202 S \* 11/1994 Campbell ..... D7/546  
D352,203 S \* 11/1994 Campbell ..... D7/546  
D376,953 S \* 12/1996 Dunn ..... D7/549  
D378,726 S \* 4/1997 Dunn ..... D7/549  
D379,301 S \* 5/1997 Lippincott ..... D9/424  
D395,003 S \* 6/1998 Daniels ..... D9/737  
D432,409 S \* 10/2000 Feldmeier ..... D9/737  
D436,854 S \* 1/2001 Feldmeier ..... D9/434  
D471,766 S \* 3/2003 Bradley ..... D7/549  
D606,885 S \* 12/2009 Olsson ..... D7/555  
D634,619 S \* 3/2011 Fisher ..... D9/425  
D641,235 S \* 7/2011 Fisher ..... D9/425  
D641,256 S \* 7/2011 Fisher ..... D9/425  
D695,107 S \* 12/2013 Clements ..... D9/425  
D698,666 S \* 2/2014 Sifuentes ..... D9/425  
D728,383 S \* 5/2015 Sifuentes ..... D9/425  
D792,222 S \* 7/2017 Sill ..... D9/456  
2010/0307116 A1 \* 12/2010 Fisher ..... B65D 51/28  
53/492  
2018/0339807 A1 \* 11/2018 Mobarhan ..... B65D 25/04

OTHER PUBLICATIONS

U.S. Appl. No. 29/626,695, filed Nov. 27, 2017, 3 pages.  
U.S. Appl. No. 29/639,599, filed Mar. 7, 2018, 21 pages.  
U.S. Appl. No. 29/639,599, filed Mar. 12, 2018, 3 pages.

\* cited by examiner

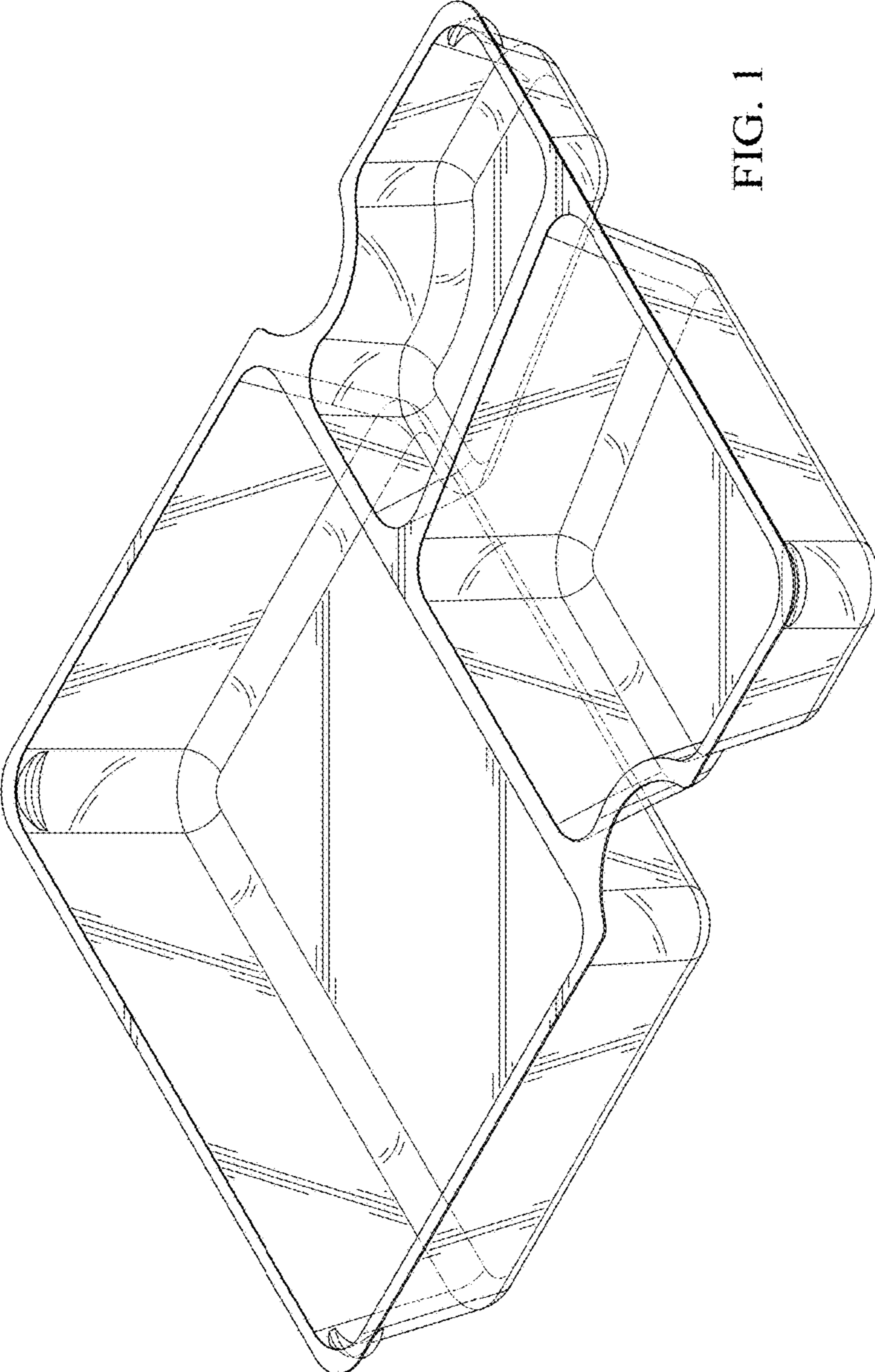


FIG. 1

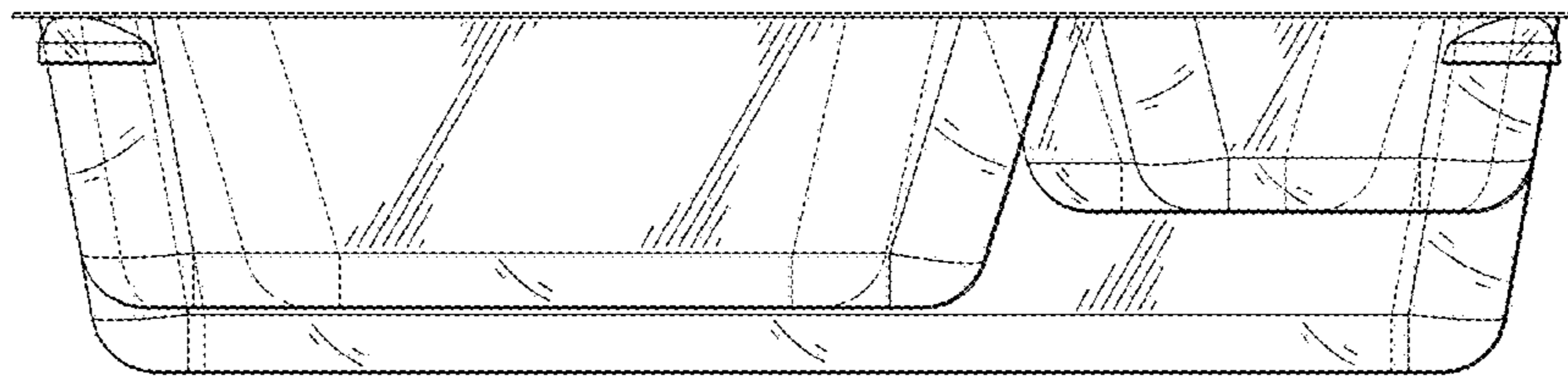


FIG. 2

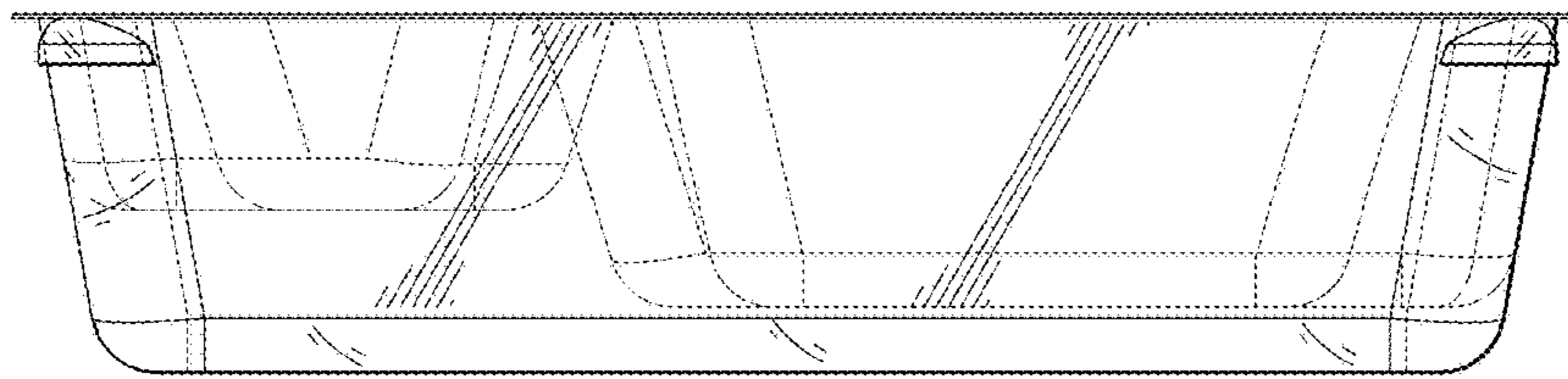


FIG. 3



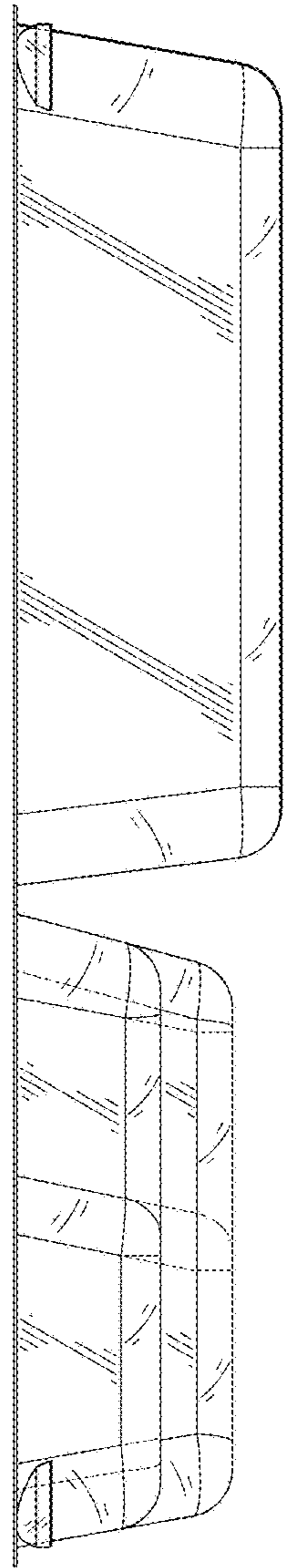


FIG. 4

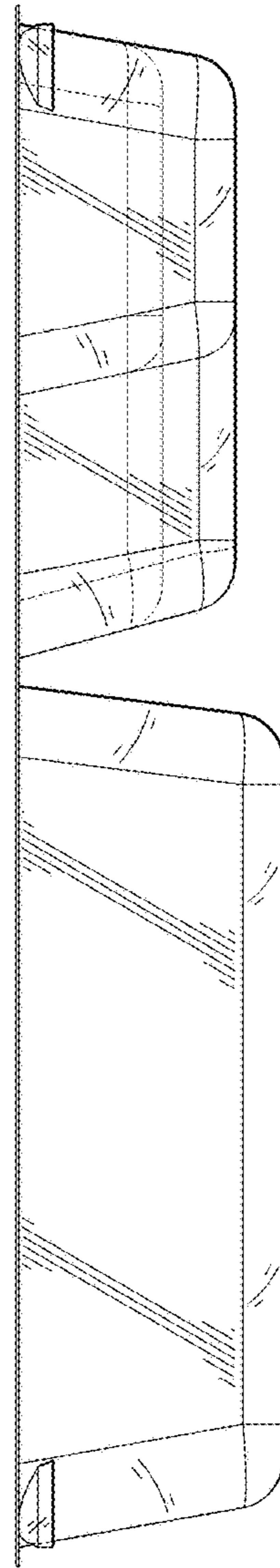


FIG. 5

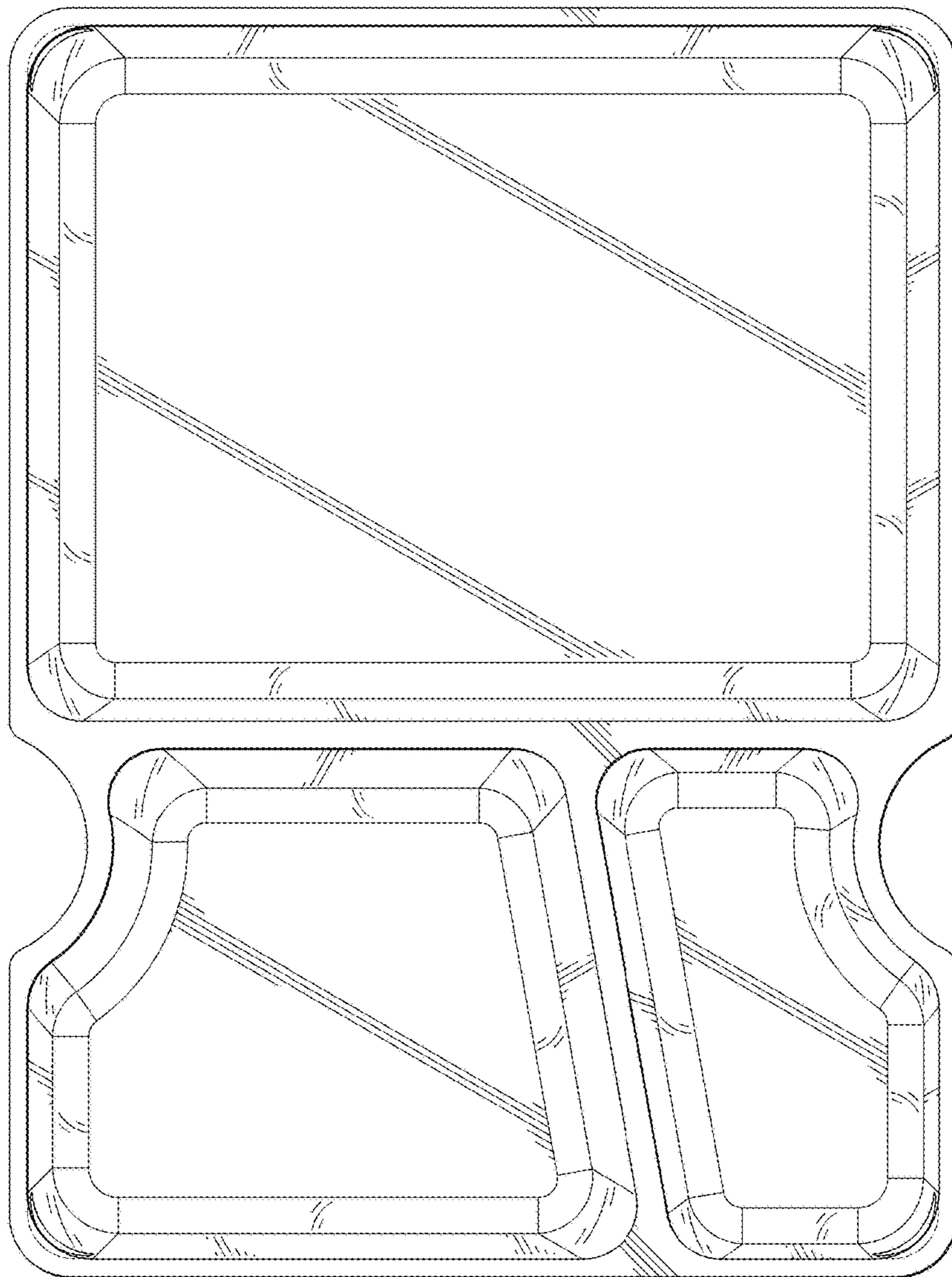


FIG. 6

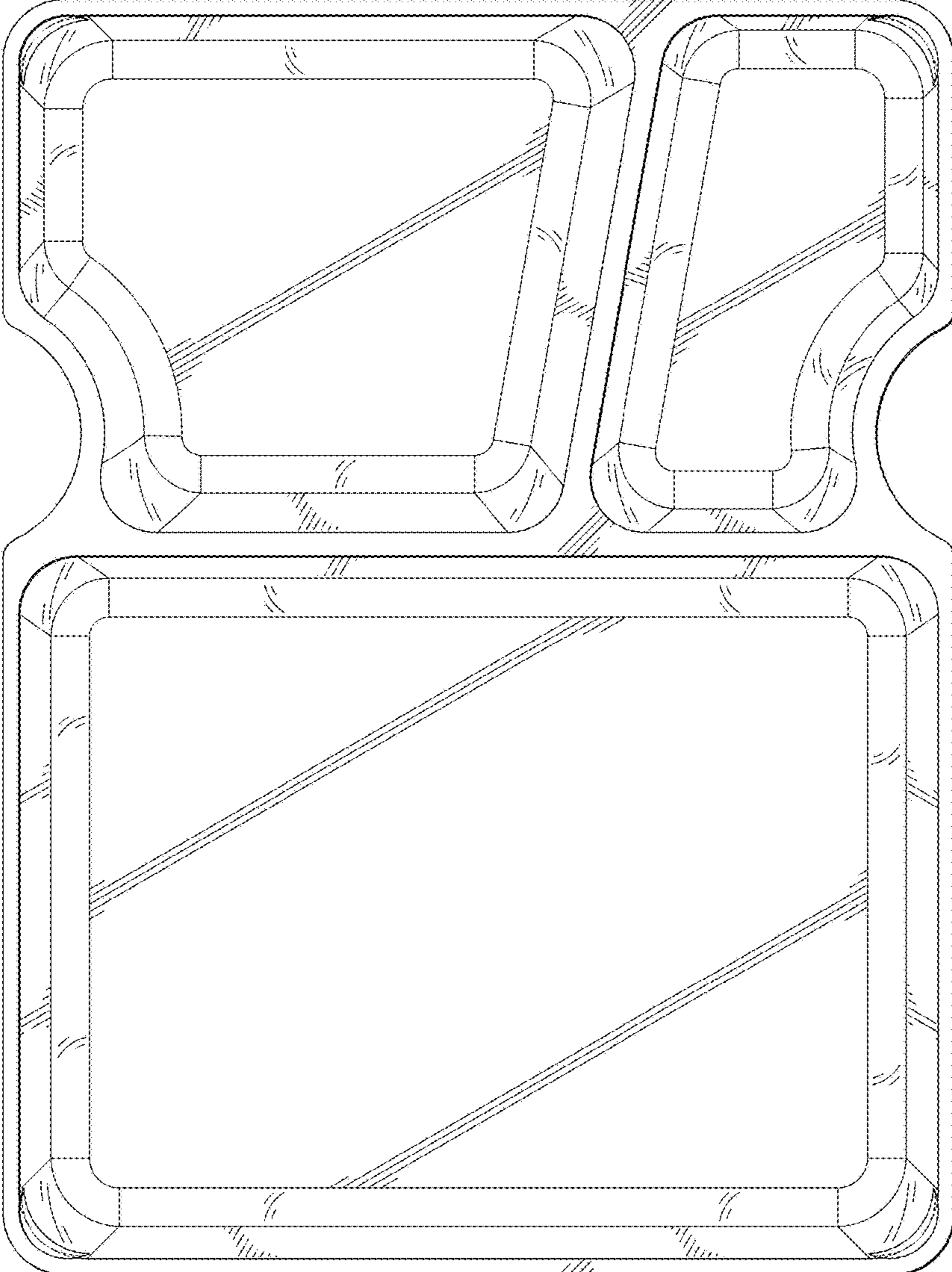


FIG. 7

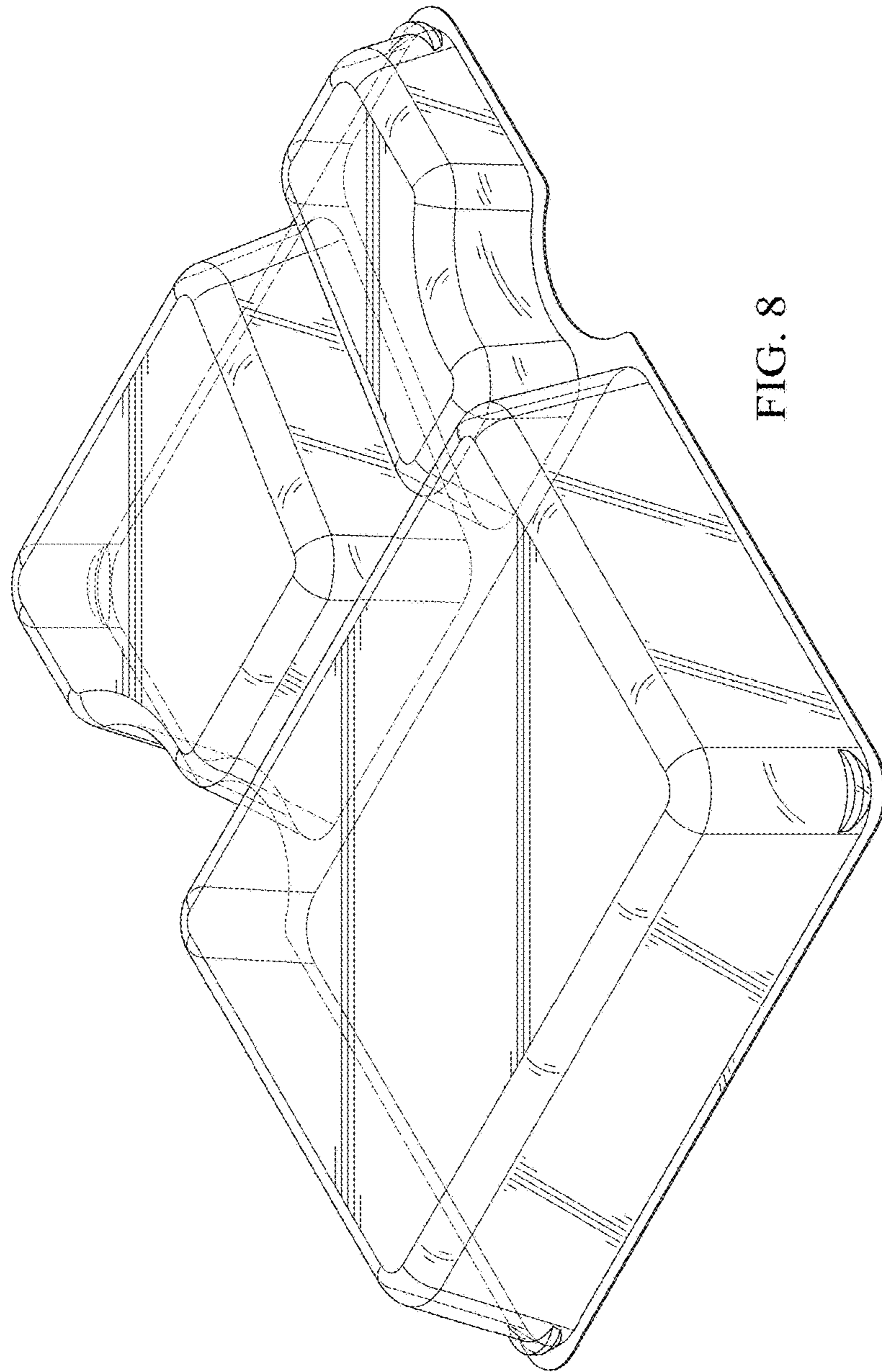


FIG. 8



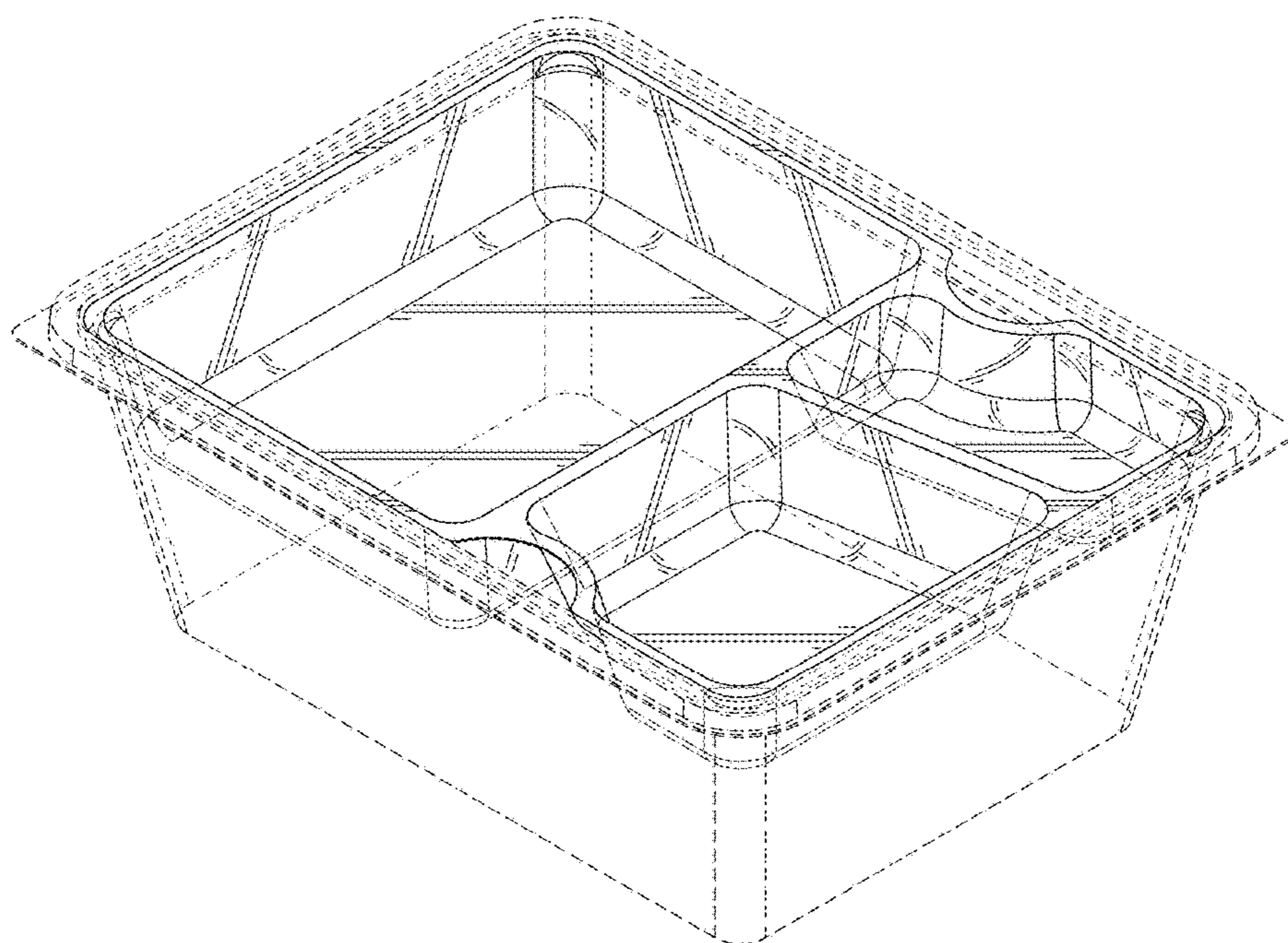


FIG. 9

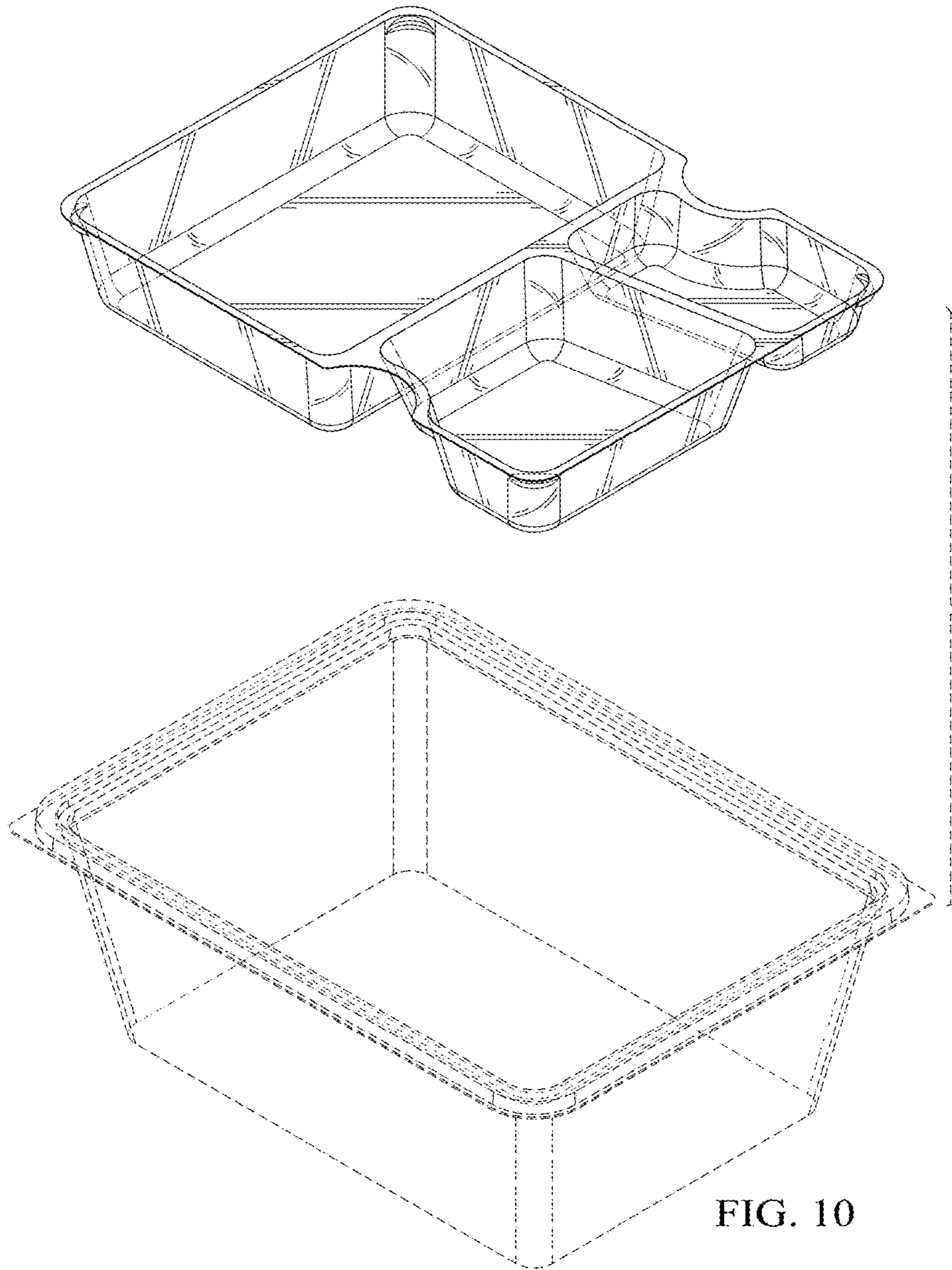


FIG. 10