



US00D850932S

(12) **United States Design Patent** (10) **Patent No.:** **US D850,932 S**
Troudt et al. (45) **Date of Patent:** **** Jun. 11, 2019**

(54) **CONTAINER WITH INSERT**

B65D 2543/00277; B65D 81/3453; A47G 19/02; A47G 19/065; A47G 23/0608; A47G 23/06

(71) Applicant: **D6 Inc.**, Portland, OR (US)

See application file for complete search history.

(72) Inventors: **Martin Troudt**, Wood Village, OR (US); **Ed Dominion**, Portland, OR (US)

(56)

References Cited

(73) Assignee: **D6 Inc.**, Portland, OR (US)

U.S. PATENT DOCUMENTS

(**) Term: **15 Years**

D280,060 S *	8/1985	Holz Kopf	D7/553.2
D283,666 S *	5/1986	Holz Kopf	D7/357
D352,202 S *	11/1994	Campbell	D7/546
D352,203 S *	11/1994	Campbell	D7/546
D376,953 S *	12/1996	Dunn	D7/549
D378,726 S *	4/1997	Dunn	D7/549

(21) Appl. No.: **29/639,599**

(22) Filed: **Mar. 7, 2018**

(Continued)

(51) **LOC (11) Cl.** **09-03**

(52) **U.S. Cl.**

USPC **D9/737**

OTHER PUBLICATIONS

(58) **Field of Classification Search**

U.S. Appl. No. 29/626,695, filed Nov. 19, 2017, 32 pages.

USPC D9/341, 347, 414-432, 440, 444, 447, D9/449-454, 503, 504, 737, 759, 761, D9/456; D7/672, 601, 550.1, 551.1, D7/551.2, 551.3, 552.1, 552.2, 553.1, D7/553.2, 553.4, 553.5, 553.7, 553.8, D7/554.1, 554.3, 555, 557, 602, 629, 630, D7/538-542, 612-615, 584, 586, 587, D7/392.1, 709, 502, 608, 622, 701, 703, D7/543-549, 317-319, 391, 392, 396.2, D7/510, 511; D3/273, 201-206, 276, D3/283, 284, 295, 274, 302; D11/143; 220/575, 500, 505-507, 523, 553, 555, 220/556; 206/216, 217, 541-550, 518, 206/557, 558, 561, 564, 223, 467; 229/107, 406, 120, 125.17; 249/126, 249/134; 426/106; 215/211, 200, 224, 215/243

(Continued)

Primary Examiner — Cathron C Brooks

Assistant Examiner — W. A. Teddy Falloway

(74) *Attorney, Agent, or Firm* — Stoel Rives LLP

CPC B65D 85/34; B65D 85/345; B65D 43/161; B65D 43/162; B65D 43/16; B65D 51/28; B65D 2543/00194; B65D 2543/00296; B65D 1/24; B65D 21/0237; B65D 2543/00101; B65D 2543/00351; B65D 1/36; B65D 2543/00555; B65D 2581/3425; B65D 25/04; B65D 43/0218; B65D 2543/00083; B65D 2543/00268;

(57)

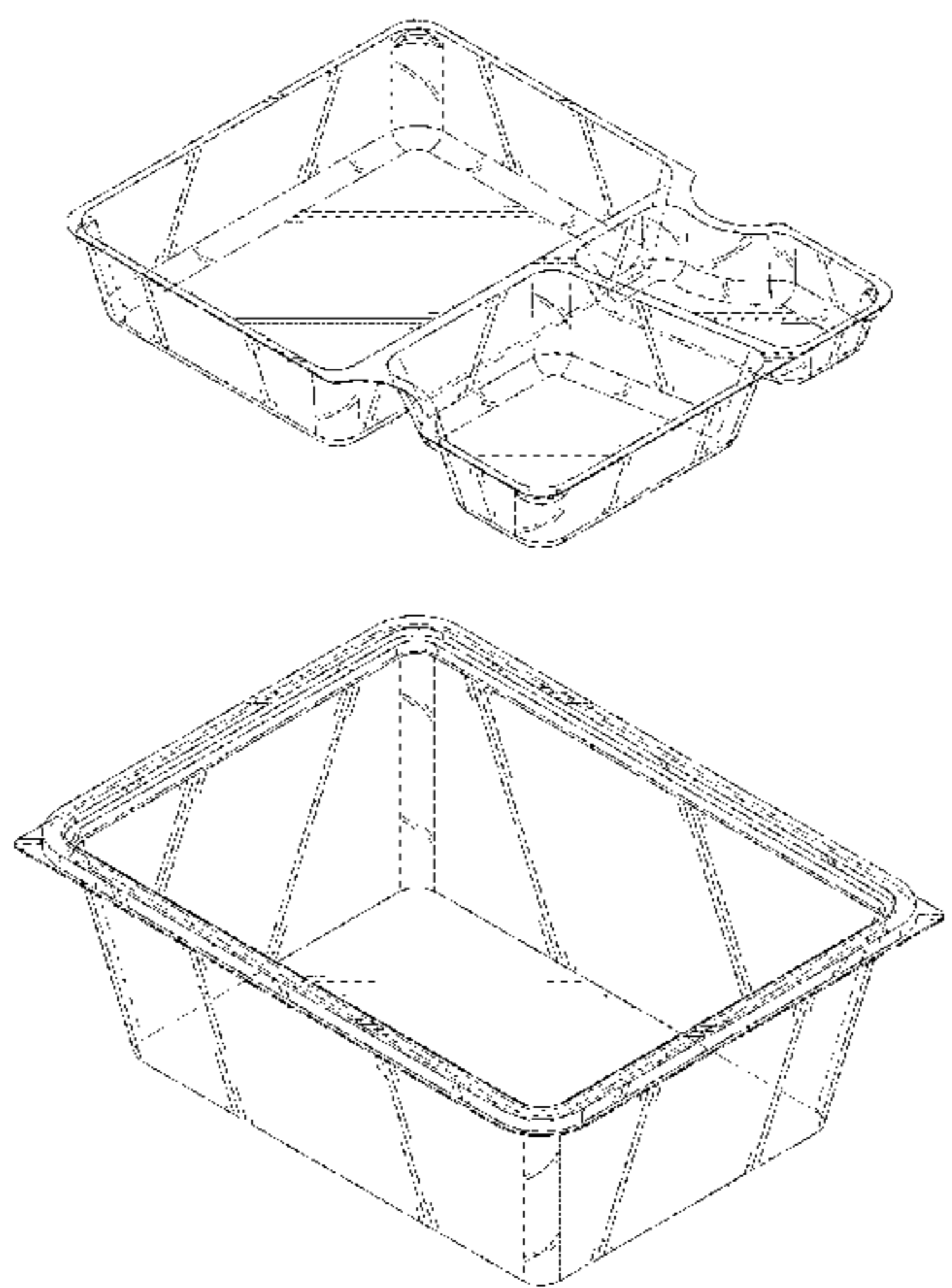
CLAIM

The ornamental design for a container with insert, as shown and described.

DESCRIPTION

FIG. 1 is a front, top perspective view of a container with insert showing our new design;
 FIG. 2 is a front elevation view thereof;
 FIG. 3 is a rear elevation view thereof;
 FIG. 4 is a right side view thereof;
 FIG. 5 is a left side view thereof;
 FIG. 6 is a top plan view thereof;
 FIG. 7 is a bottom plan view thereof;
 FIG. 8 is a front, bottom perspective view thereof; and,
 FIG. 9 is an exploded perspective view thereof.

1 Claim, 8 Drawing Sheets



(56)

References Cited

U.S. PATENT DOCUMENTS

D379,301	S	*	5/1997	Lippincott	D9/424
D395,003	S	*	6/1998	Daniels	D9/737
D432,409	S	*	10/2000	Feldmeier	D9/737
D436,854	S	*	1/2001	Feldmeier	D9/434
D471,766	S	*	3/2003	Bradley	D7/549
D606,885	S	*	12/2009	Olsson	D7/555
D634,619	S	*	3/2011	Fisher	D9/425
D641,235	S	*	7/2011	Fisher	D9/425
D641,256	S	*	7/2011	Fisher	D9/425
D695,107	S	*	12/2013	Clements	D9/425
D698,666	S	*	2/2014	Sifuentes	D9/425
D728,383	S	*	5/2015	Sifuentes	D9/425
D792,222	S	*	7/2017	Sill	D9/456
2010/0307116	A1	*	12/2010	Fisher	B65D 51/28 53/492
2018/0339807	A1	*	11/2018	Mobarhan	B65D 25/04

OTHER PUBLICATIONS

U.S. Appl. No. 29/626,695 Filing Receipt dated Nov. 27, 2017, 3 pages.
U.S. Appl. No. 29/639,670, filed Mar. 7, 2018, 21 pages.
U.S. Appl. No. 29/639,670 Filing Receipt dated Mar. 12, 2018, 3 pages.

* cited by examiner

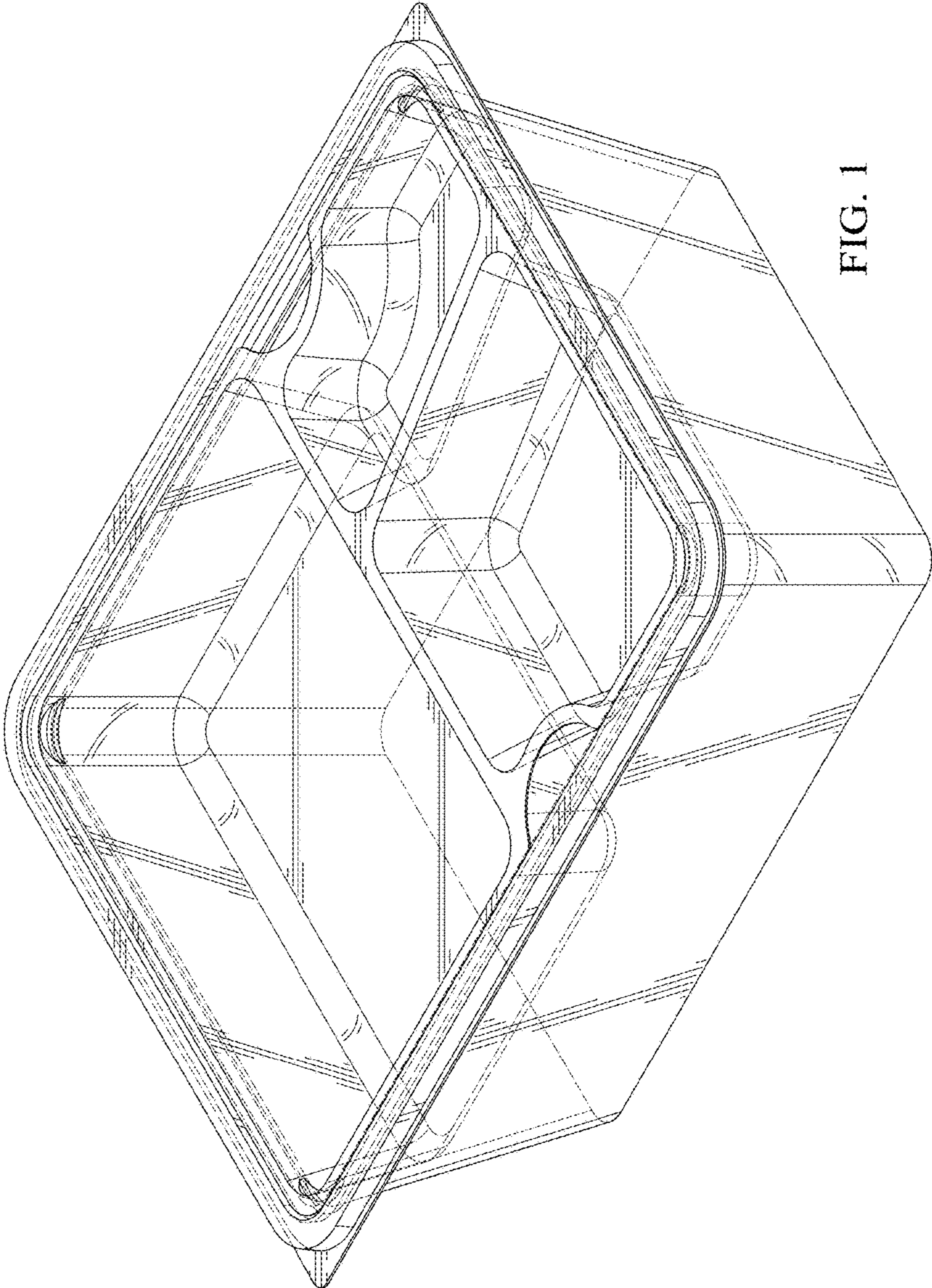


FIG. 1

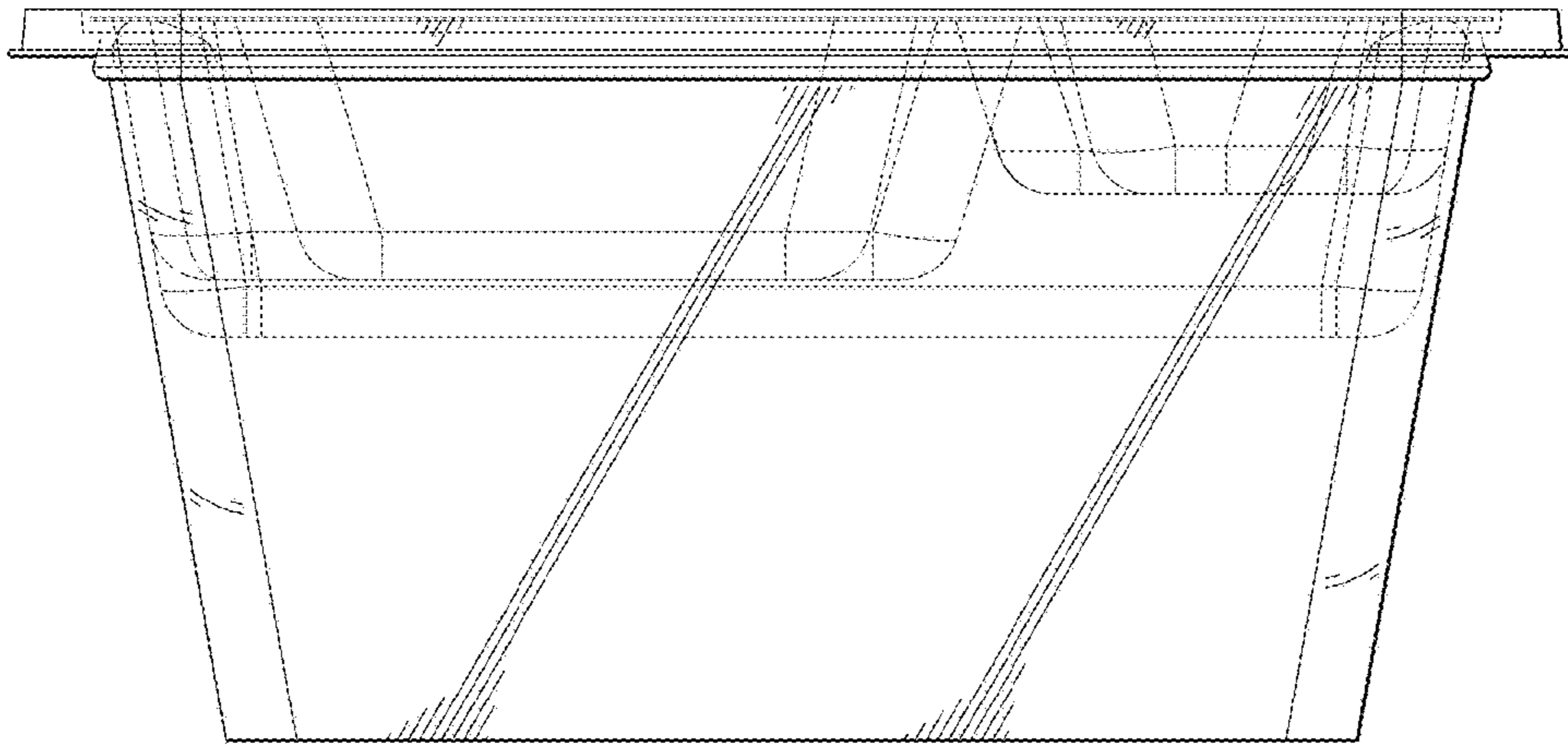


FIG. 2

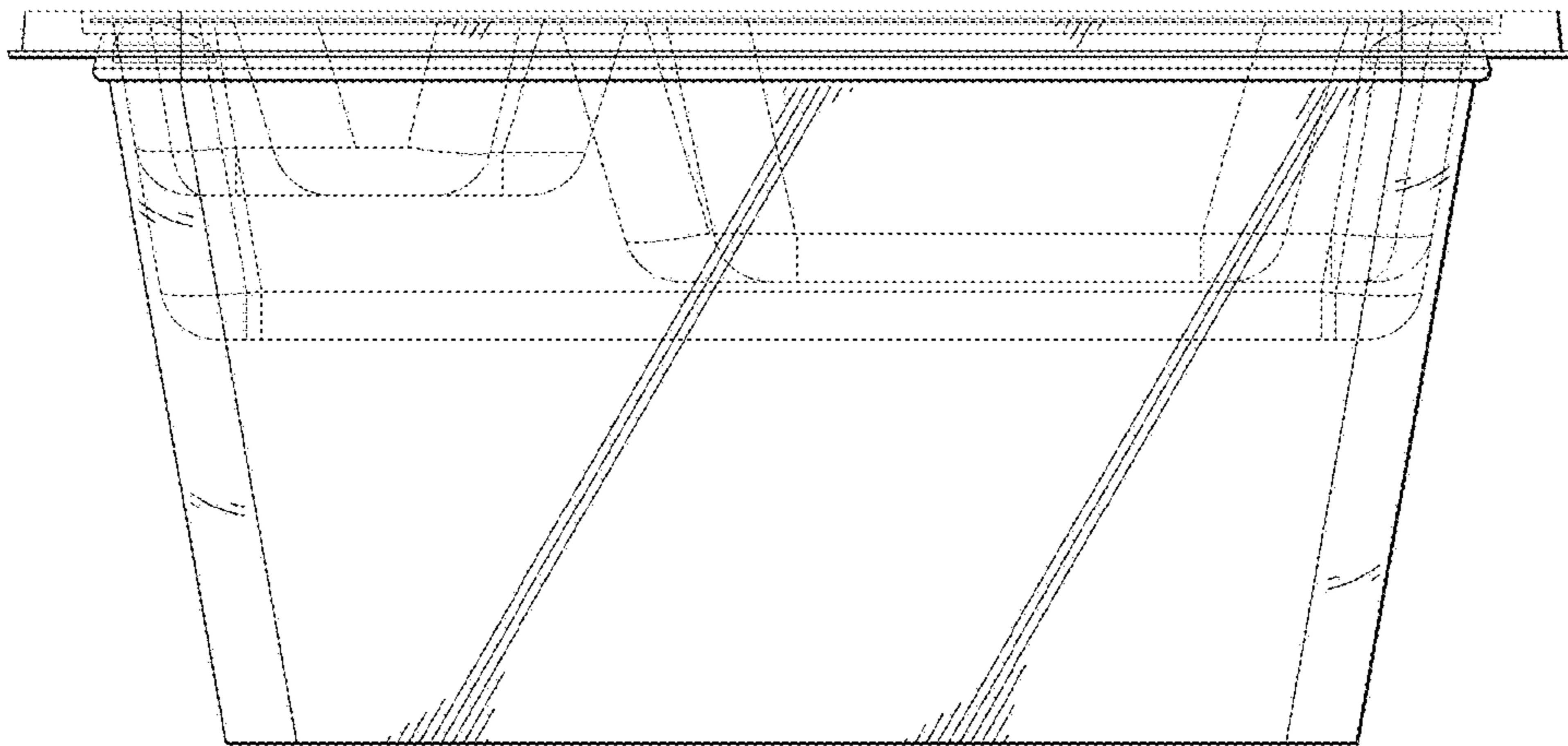


FIG. 3

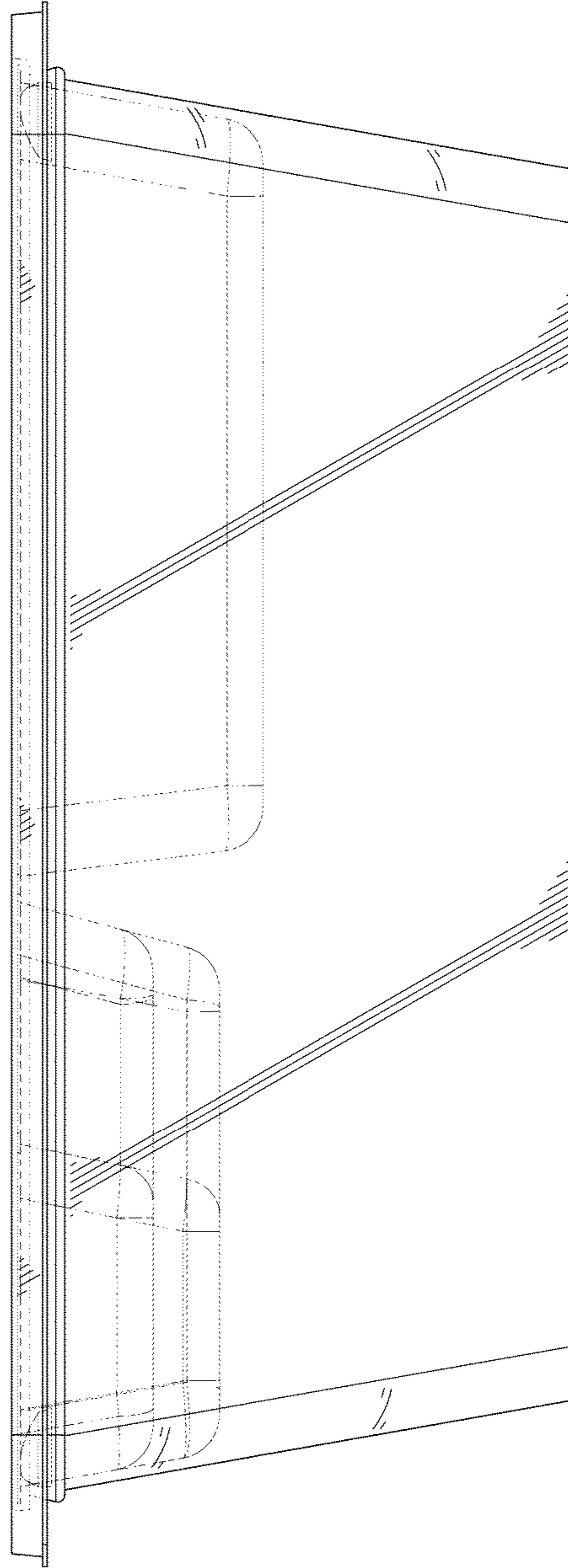


FIG. 4

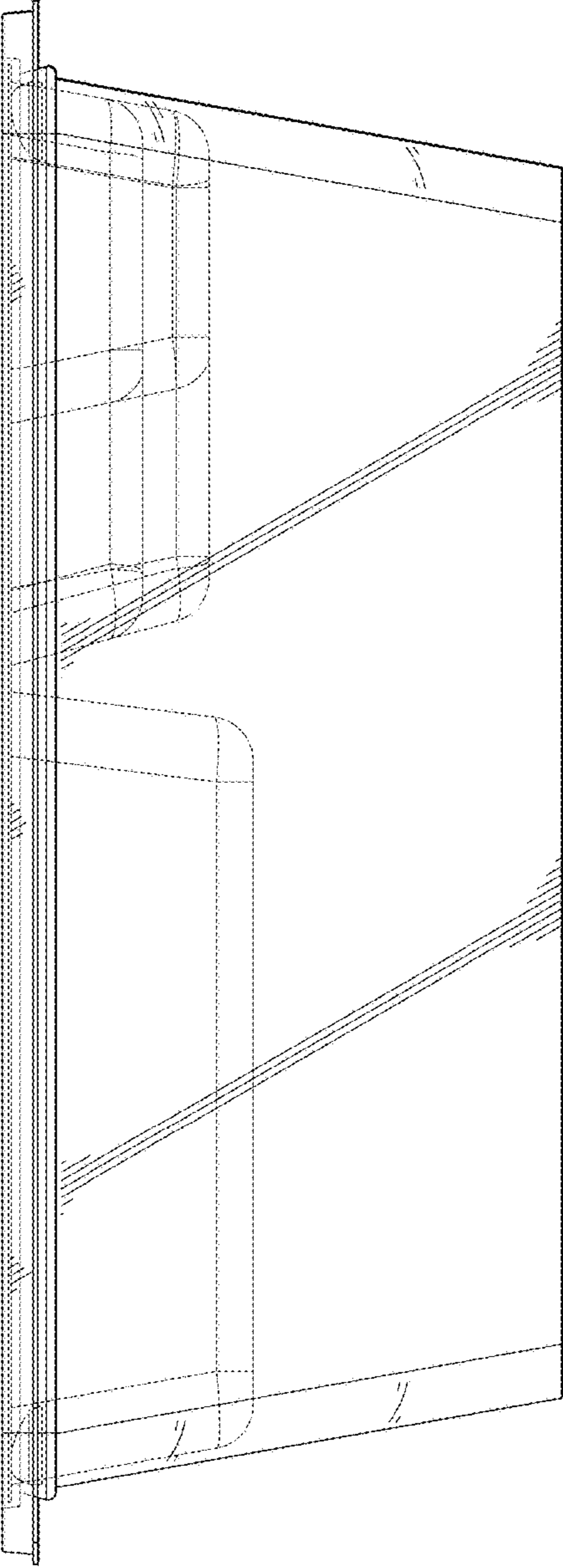


FIG. 5

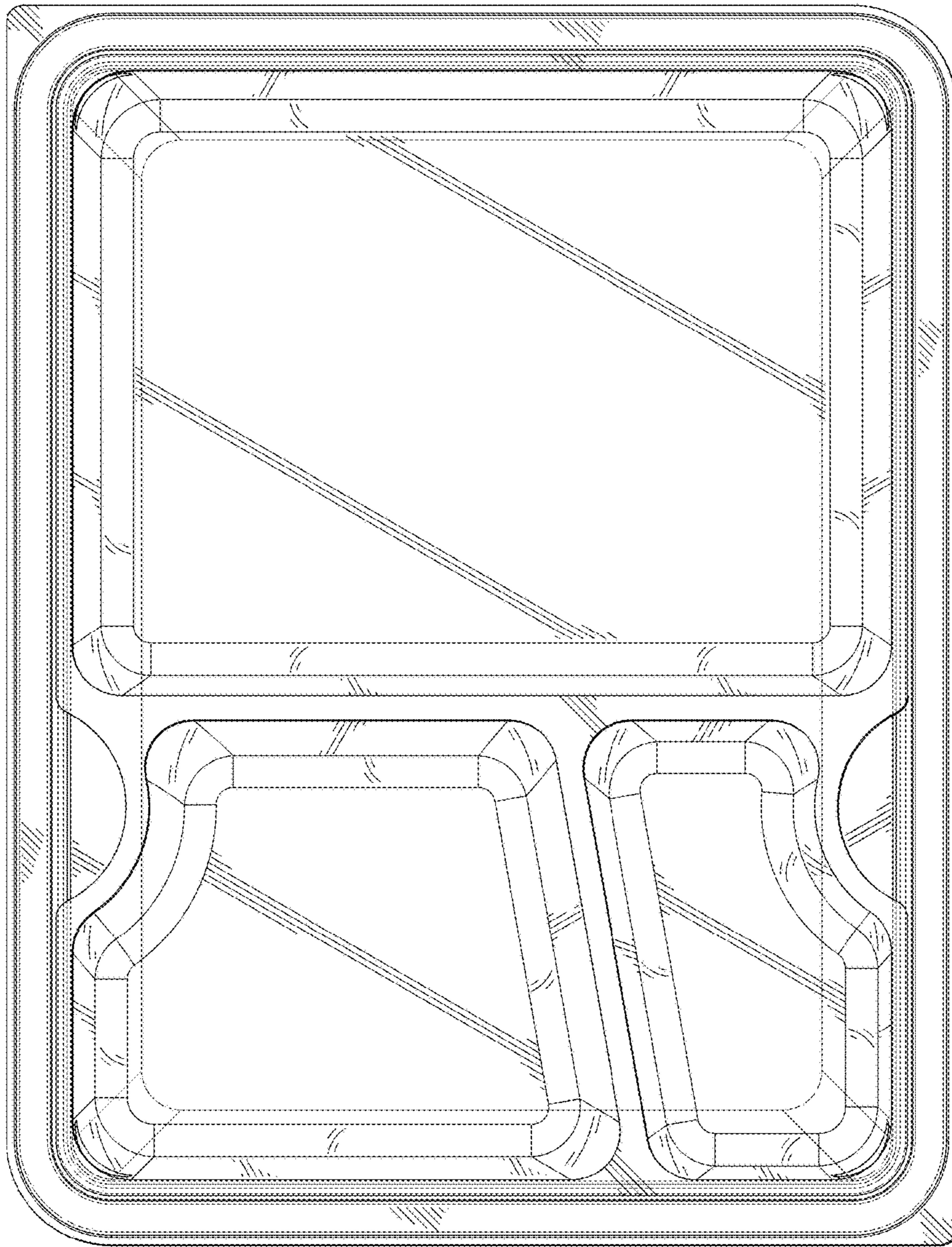


FIG. 6

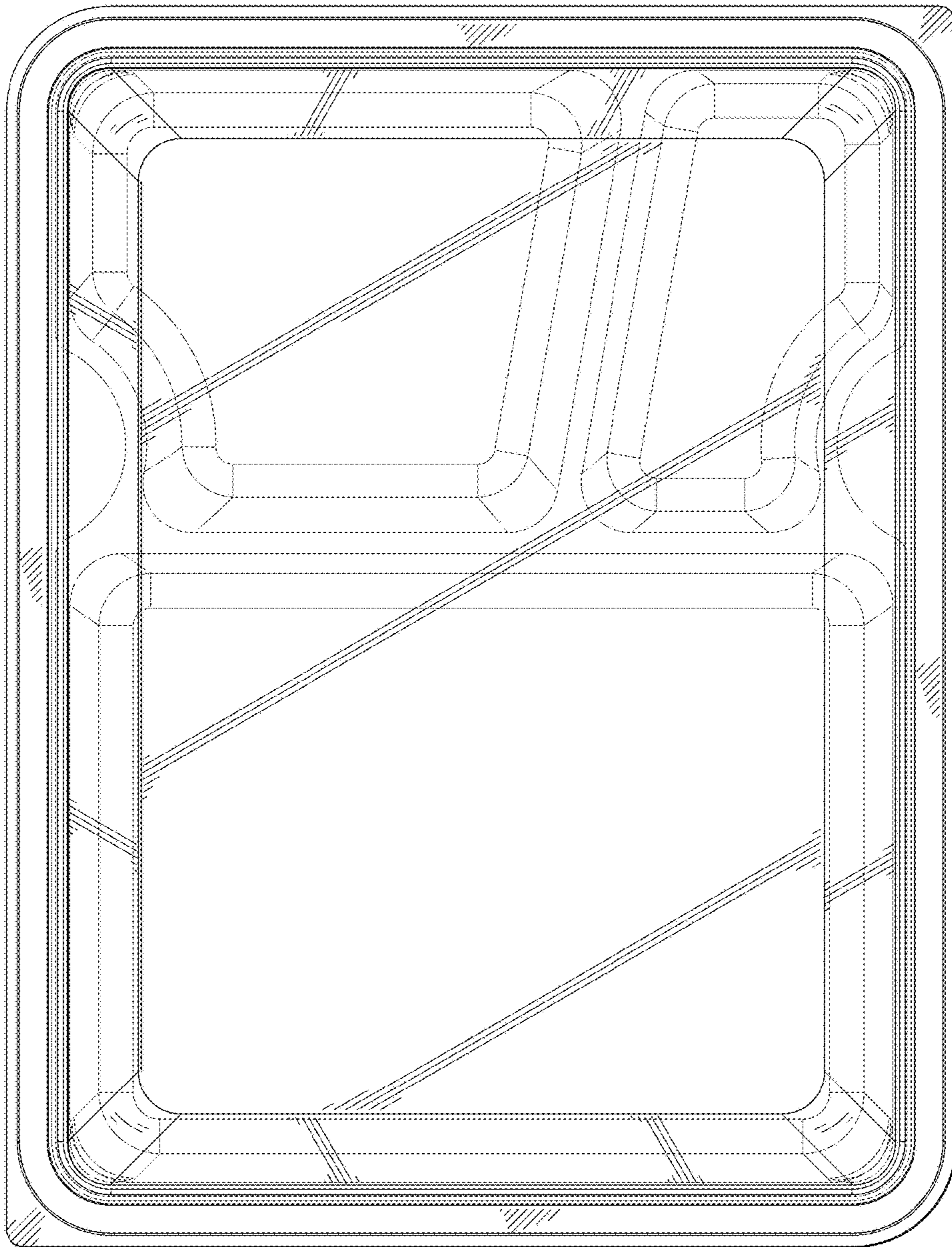


FIG. 7

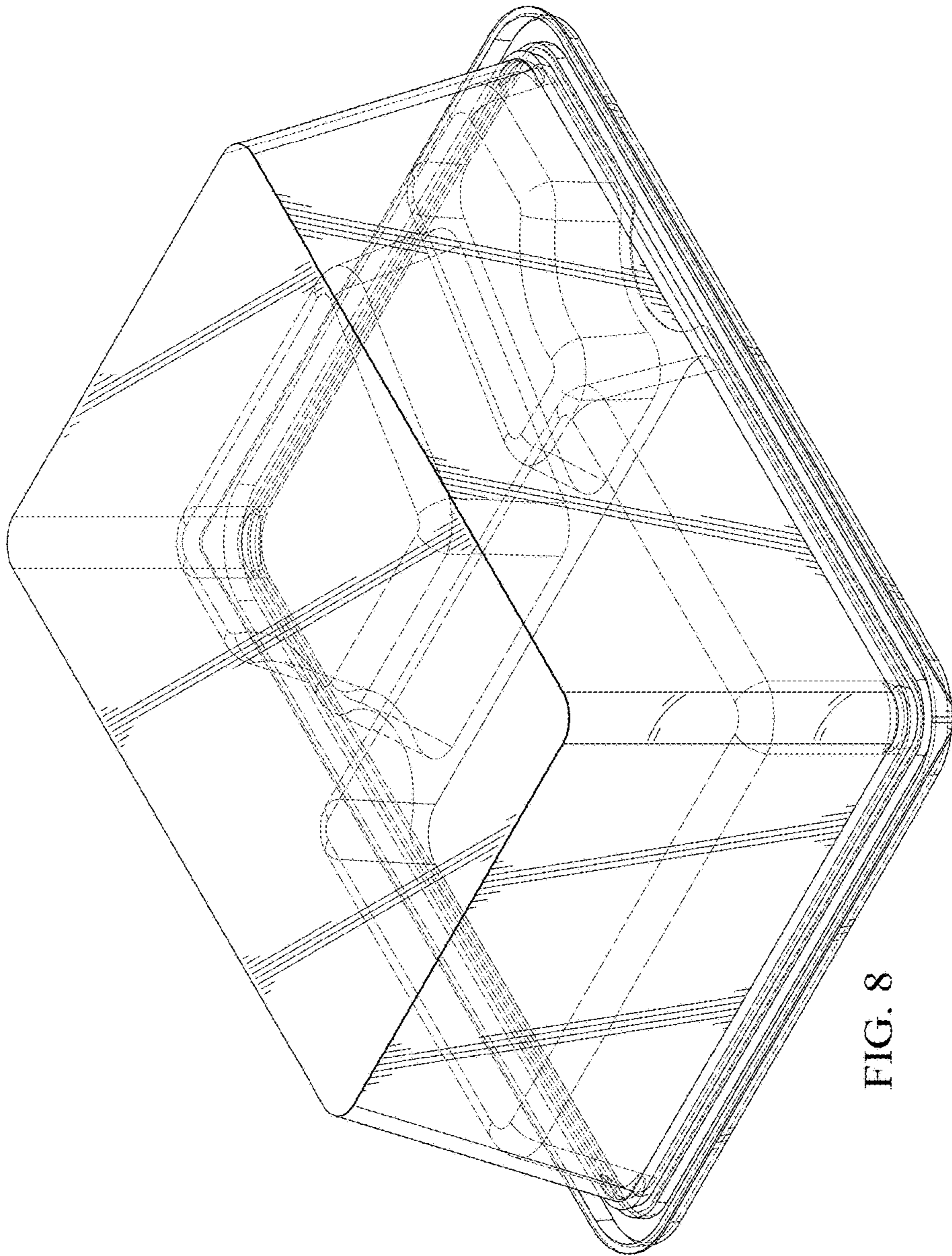


FIG. 8

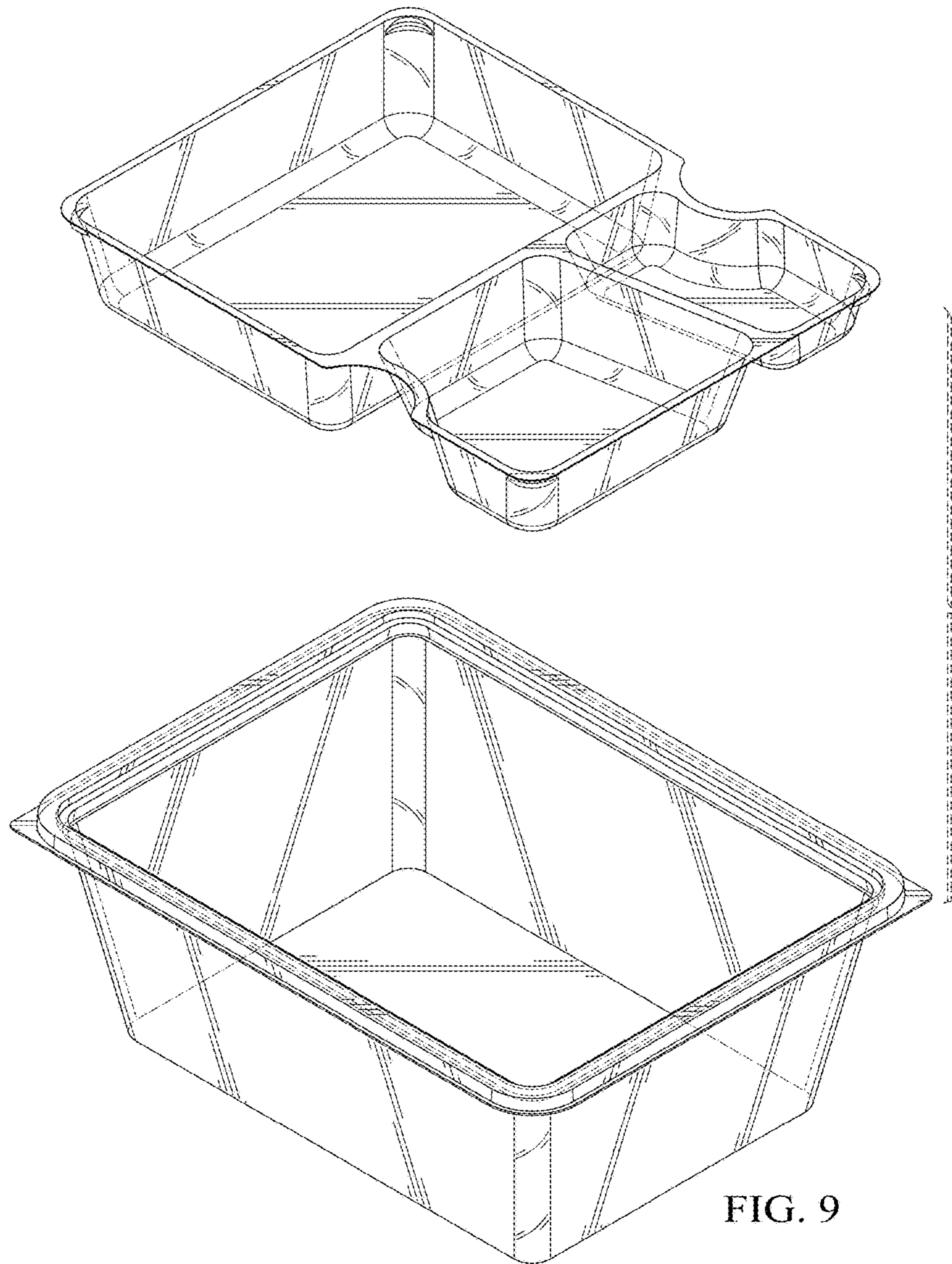


FIG. 9