



US00D850931S

(12) **United States Design Patent** (10) **Patent No.:** **US D850,931 S**
Wang et al. (45) **Date of Patent:** **** Jun. 11, 2019**

(54) **BOTTLE**

D497,807 S * 11/2004 Nichols D3/203.2
D545,898 S * 7/2007 Iwasaki D19/163
D760,490 S * 7/2016 Johnson D24/224

(71) Applicant: **Victorie Packaging Corp.**, Baldwin Park, CA (US)

* cited by examiner

(72) Inventors: **Lan Fang Wang**, Temple City, CA (US); **Dong Rong Qiu**, La Puente, CA (US)

Primary Examiner — Derrick E Holland

Assistant Examiner — Janice Patyk

(74) *Attorney, Agent, or Firm* — Tommy S F Wang; Wang IP Law Group, P.C.

(**) Term: **15 Years**

(57) **CLAIM**

(21) Appl. No.: **29/643,028**

The ornamental design for a bottle, as shown and described.

(22) Filed: **Apr. 3, 2018**

DESCRIPTION

(51) **LOC (11) Cl.** **09-01**

(52) **U.S. Cl.**

USPC **D9/724**

(58) **Field of Classification Search**

USPC D9/442, 503, 695–699, 702–714,
D9/723–729; D24/199; D28/7;
132/317, 318, 320; 222/95, 207, 212,
222/335

CPC A45D 34/00; A45D 40/00; B65D 81/3272

See application file for complete search history.

FIG. 1 is a perspective view of a bottle showing our new design;

FIG. 2 is a front view thereof;

FIG. 3 is a rear view thereof;

FIG. 4 is a left side view thereof;

FIG. 5 is a right side view thereof;

FIG. 6 is a top view thereof;

FIG. 7 is a bottom view thereof;

FIG. 8 is a perspective view thereof, shown without the cap for ease of illustration;

FIG. 9 is a front view thereof, shown without the cap for ease of illustration; and,

FIG. 10 is a top view thereof, shown without the cap for ease of illustration.

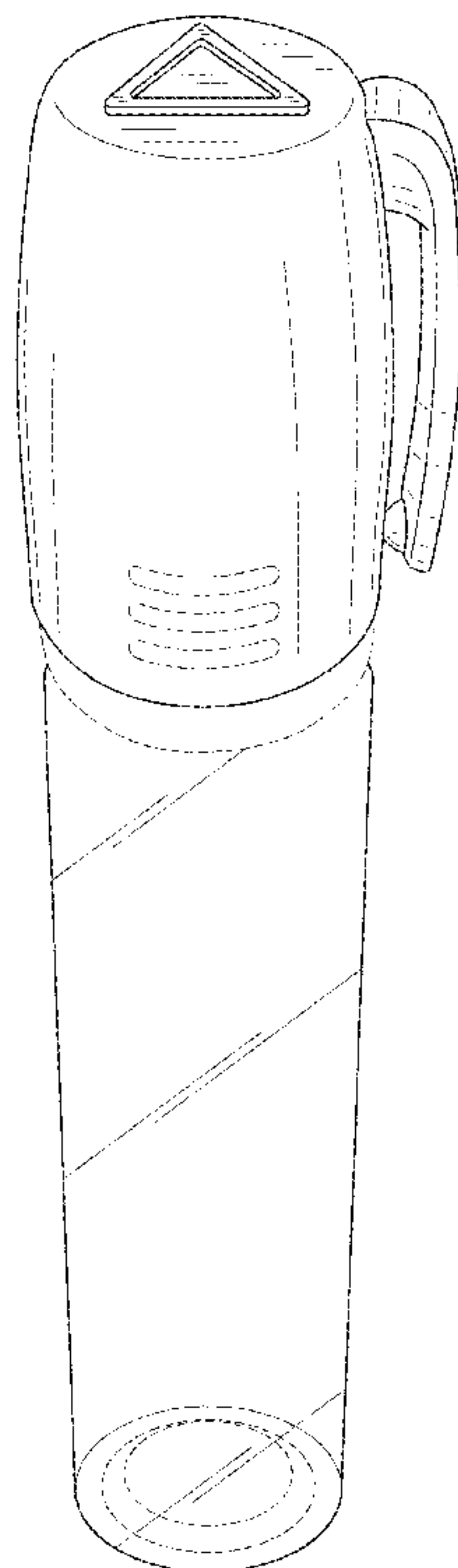
The broken lines represent the portions of the bottle that form no part of the claimed design.

(56) **References Cited**

U.S. PATENT DOCUMENTS

D353,197 S * 12/1994 Hawks D24/112
D419,704 S * 1/2000 Ting D26/37
D448,120 S * 9/2001 Look D19/66
D456,099 S * 4/2002 Look D19/66

1 Claim, 9 Drawing Sheets



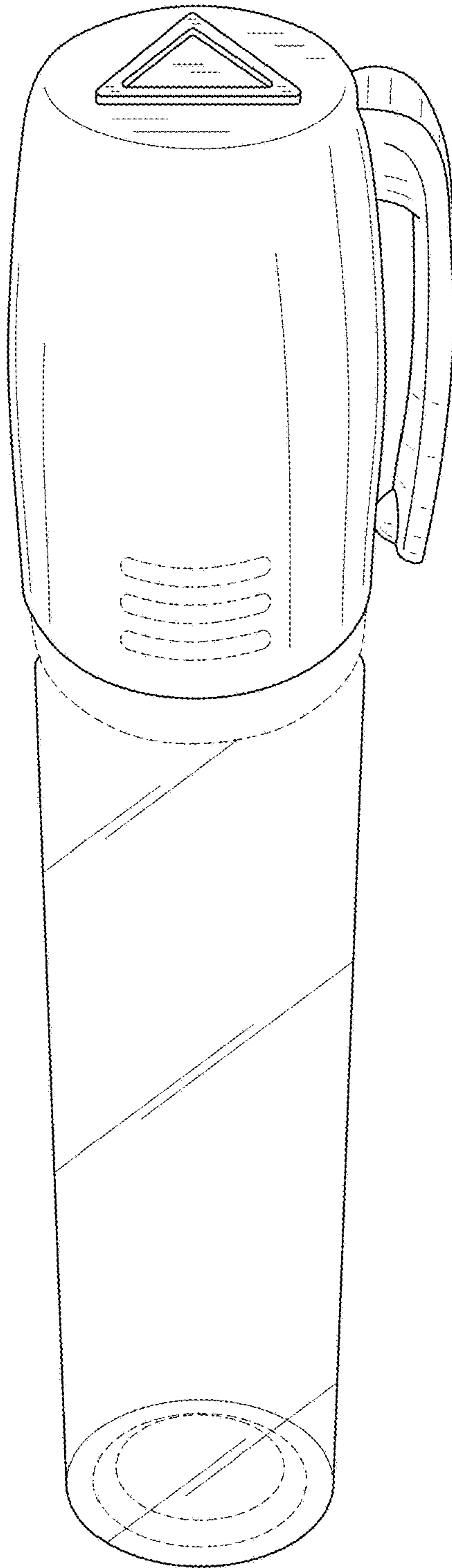


FIG. 1

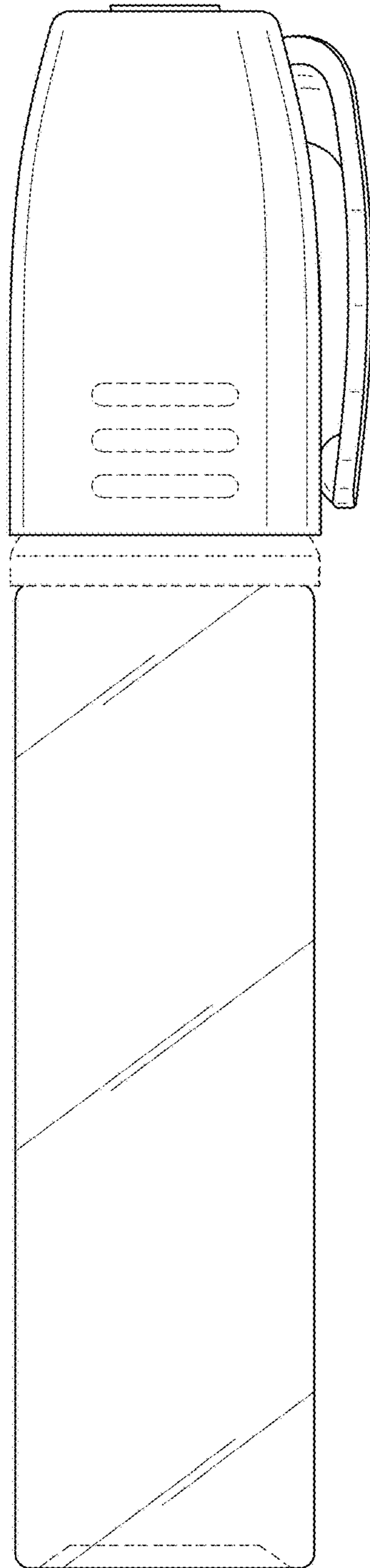


FIG. 2

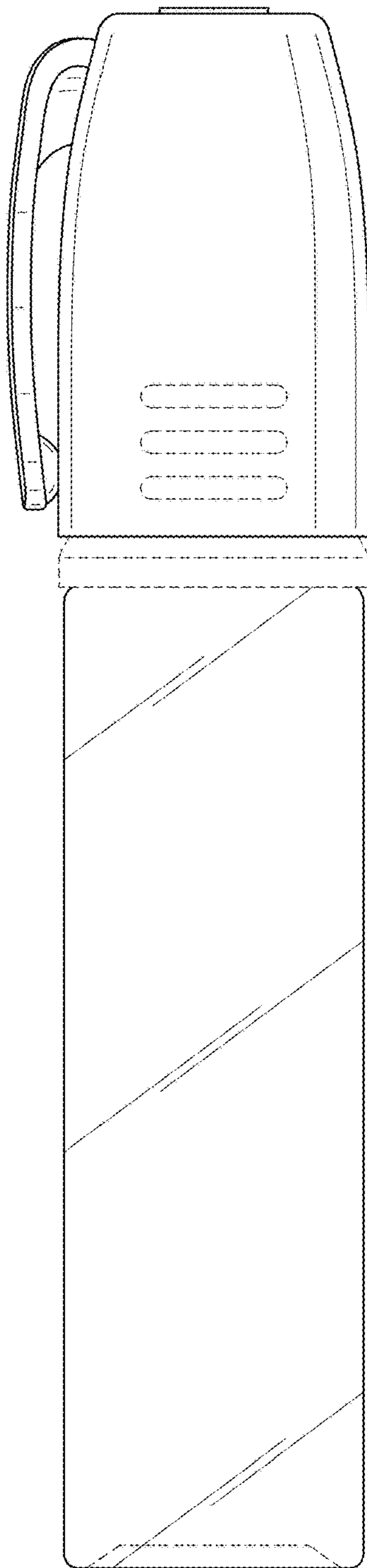


FIG. 3

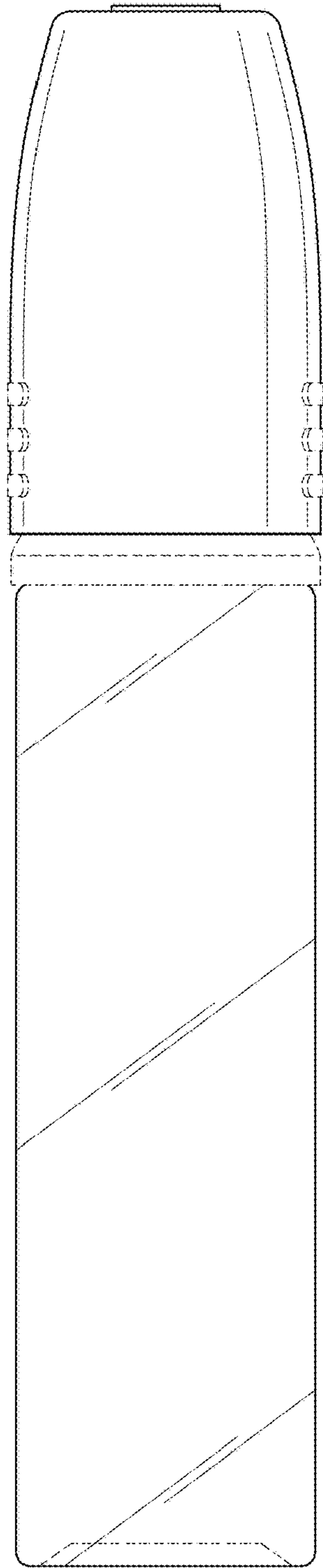


FIG. 4

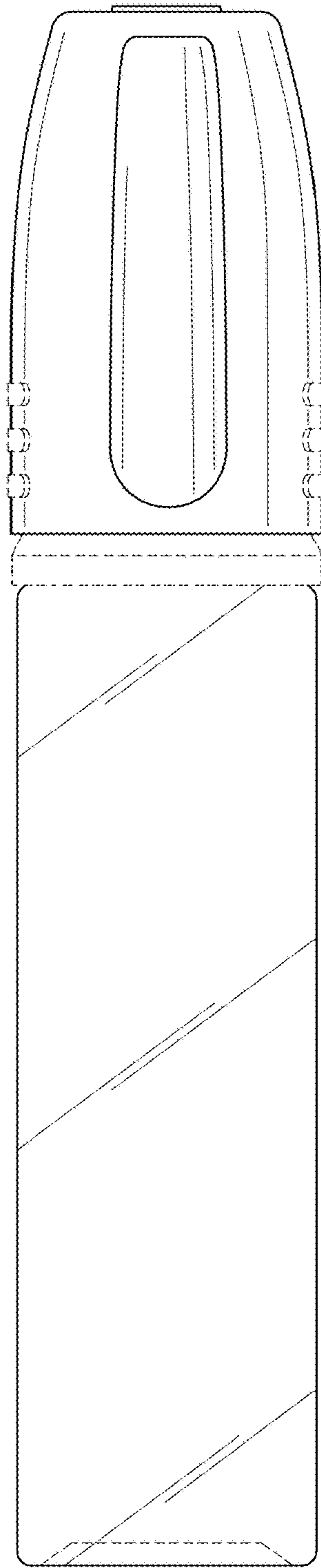


FIG. 5

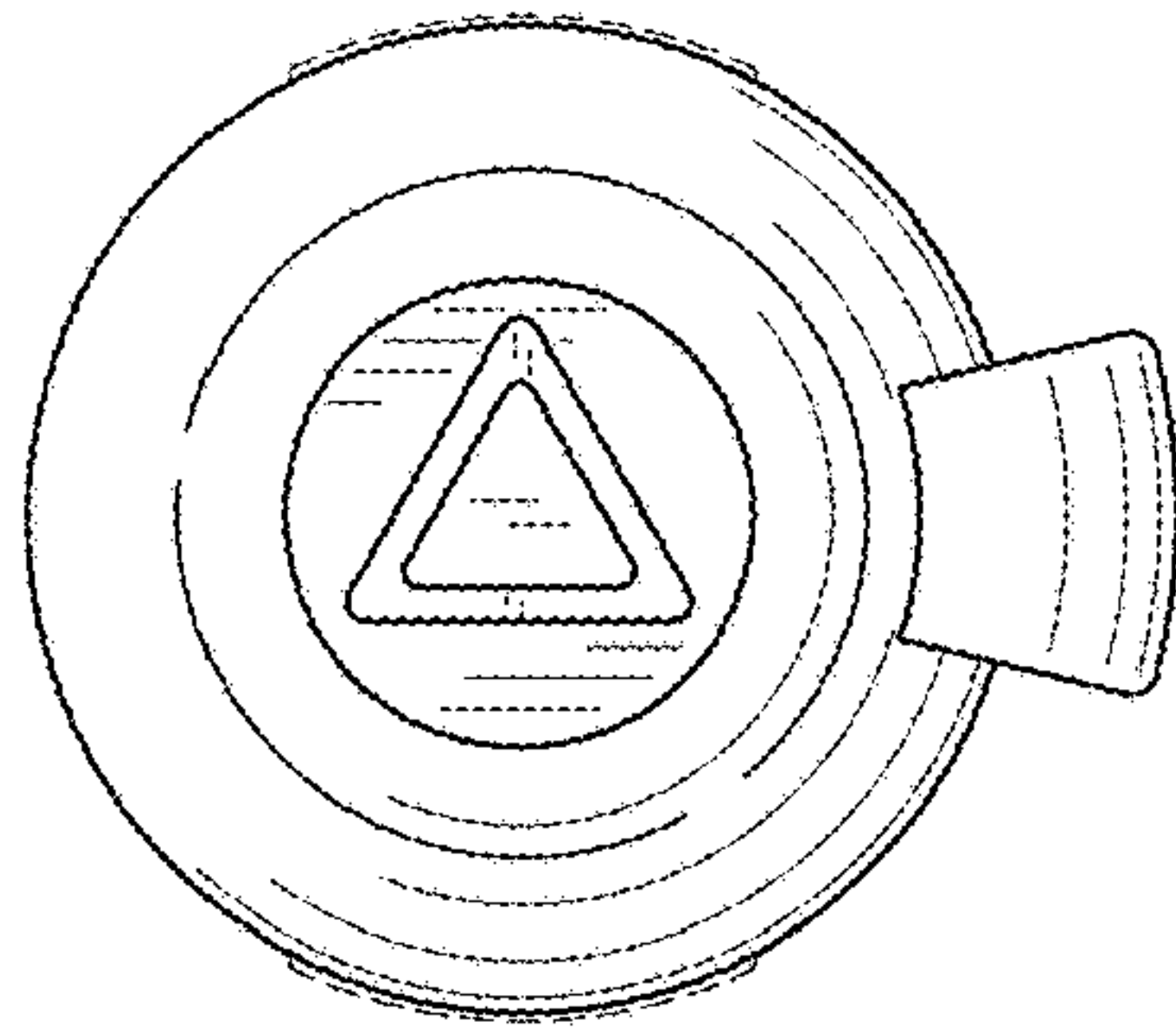


FIG. 6

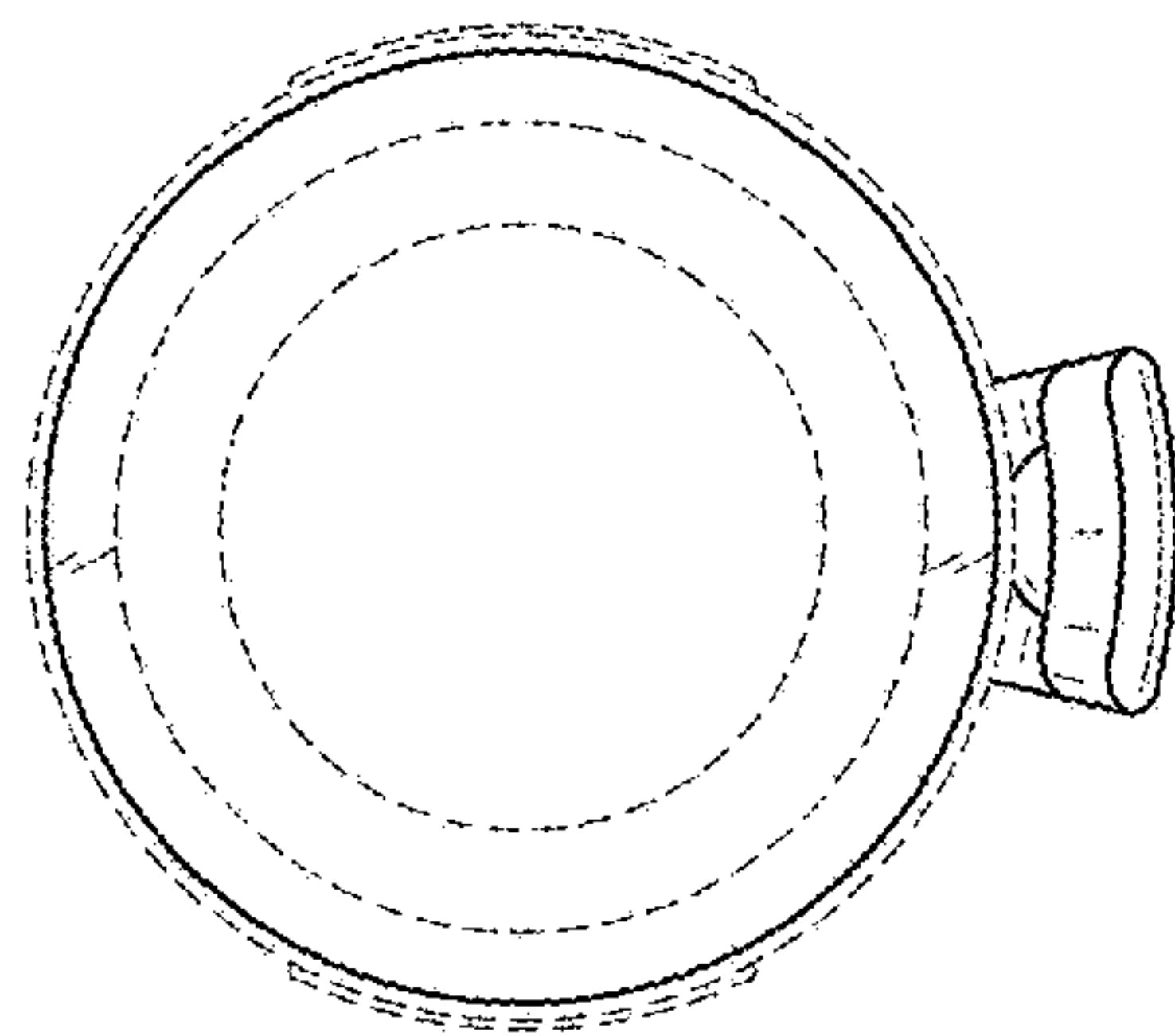


FIG. 7

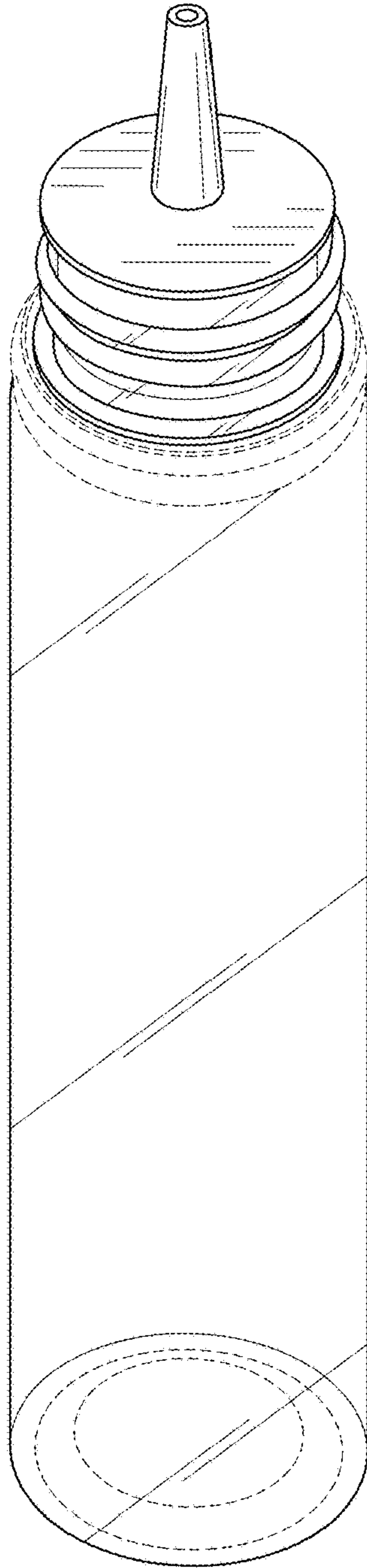


FIG. 8

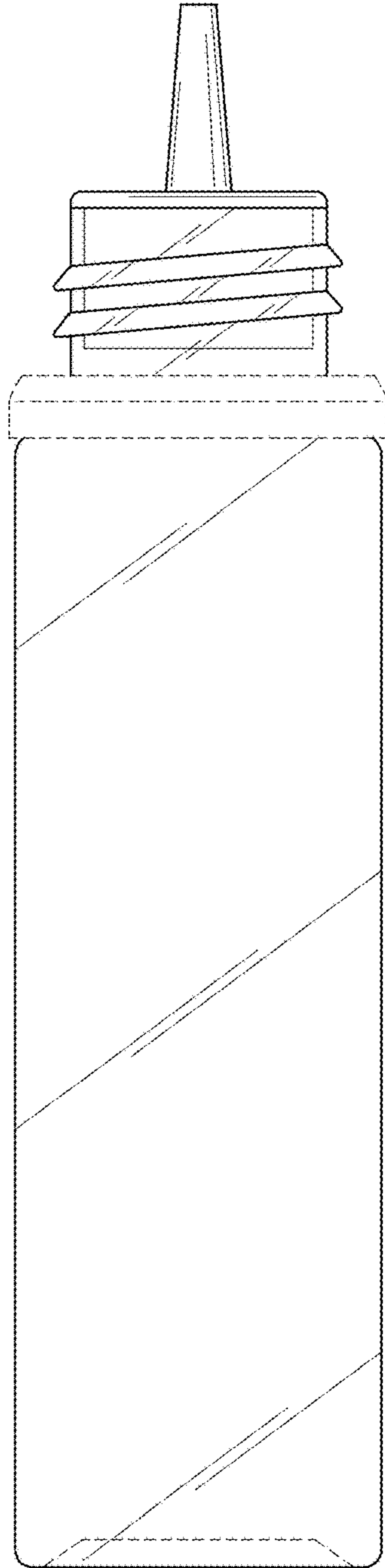


FIG. 9

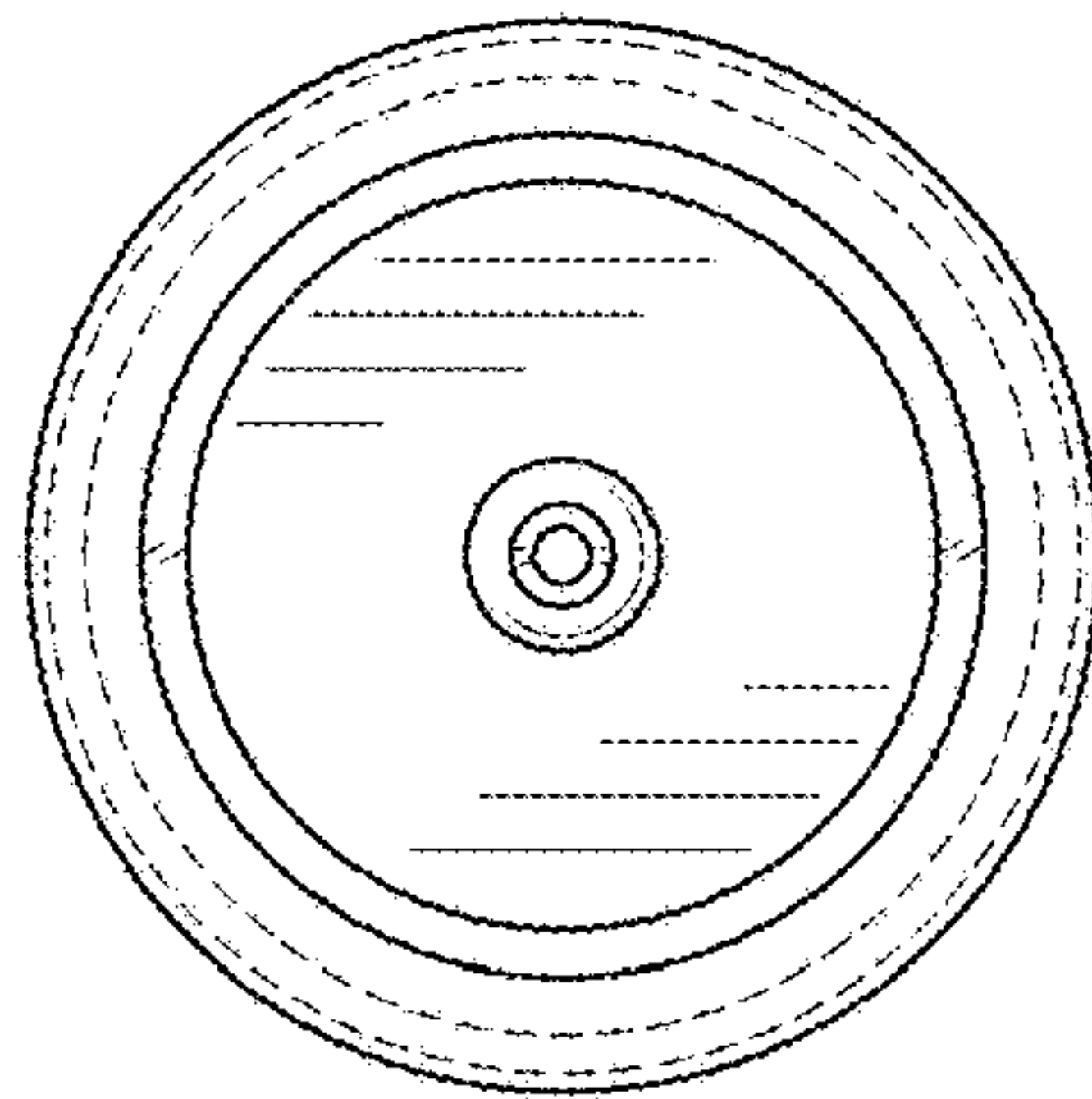


FIG. 10