



US00D850920S

(12) **United States Design Patent**  
**Foster et al.**

(10) **Patent No.:** **US D850,920 S**  
(45) **Date of Patent:** **\*\* Jun. 11, 2019**

(54) **CONTAINER WITH CONE-SHAPED BASE**  
(71) Applicant: **Printpack Illinois, Inc.**, Elgin, IL (US)  
(72) Inventors: **David T. Foster**, Williamsburg, VA (US); **Patrick L. O'Brien**, Toana, VA (US); **David Cosgrove**, Williamsburg, VA (US)  
(73) Assignee: **Printpack Illinois, Inc.**, Elgin, IL (US)  
(\*\*) Term: **15 Years**

2,614,727 A 10/1952 Robinson  
3,204,758 A \* 9/1965 Hugh ..... B65D 83/0481  
206/204  
3,357,590 A 12/1967 Safford  
3,420,397 A 1/1969 Miller  
3,471,075 A \* 10/1969 Wolf ..... B65D 1/265  
206/519  
3,527,020 A 9/1970 Mancini  
D219,526 S 12/1970 Reading  
3,896,587 A 7/1975 Insalaco  
3,935,955 A 2/1976 Das  
D240,019 S 5/1976 Taylor  
(Continued)

(21) Appl. No.: **29/614,971**  
(22) Filed: **Aug. 24, 2017**

**Related U.S. Application Data**

(63) Continuation of application No. 29/493,539, filed on Jun. 10, 2014, now Pat. No. Des. 798,718.  
(51) **LOC (11) Cl.** ..... **09-03**  
(52) **U.S. Cl.**  
USPC ..... **D9/516; D9/500; D9/520**  
(58) **Field of Classification Search**  
USPC ..... D9/414, 416, 418, 424-425, 427-428, D9/500, 503-505, 516, 518, 520, 549, D9/558, 715-716; D7/400, 507, D7/509-511, 523, 601-603, 612, 615, D7/629-630; D11/152  
CPC . B65D 1/00; B65D 1/26; B65D 1/265; B65D 23/00; B65D 81/00; B65D 85/804; B65D 85/8043; B65D 85/8046; B65D 2501/00; B65D 2501/0009; B65D 17/00; B65D 17/02; B65D 17/50; B65D 17/501; B65D 25/00; B65D 2543/00833  
See application file for complete search history.

**FOREIGN PATENT DOCUMENTS**

WO 2008136026 11/2008  
WO 2012055751 5/2012  
WO 2012122329 9/2012

*Primary Examiner* — Dana Meyrow  
(74) *Attorney, Agent, or Firm* — Eversheds Sutherland (US) LLP

(57) **CLAIM**

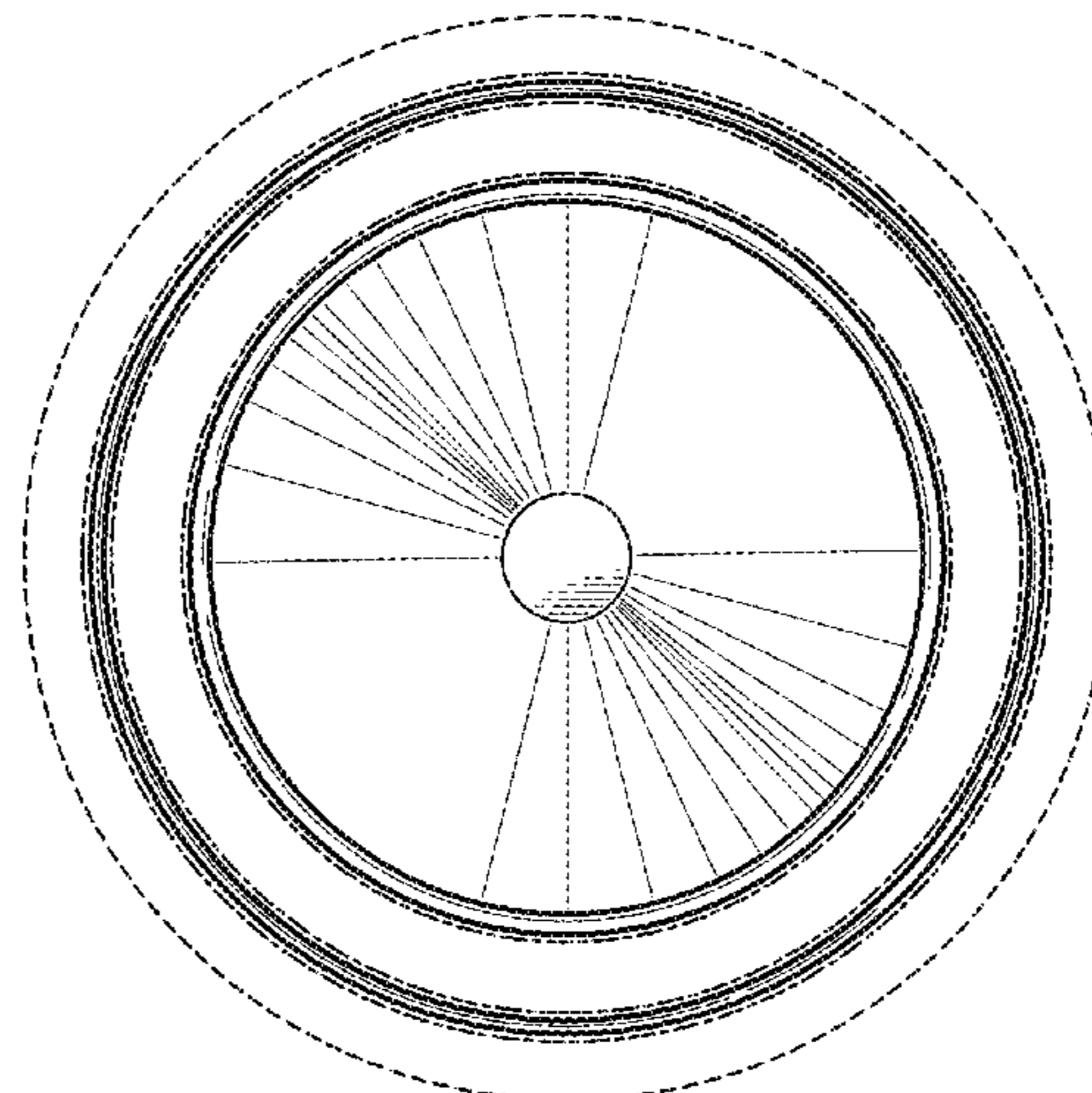
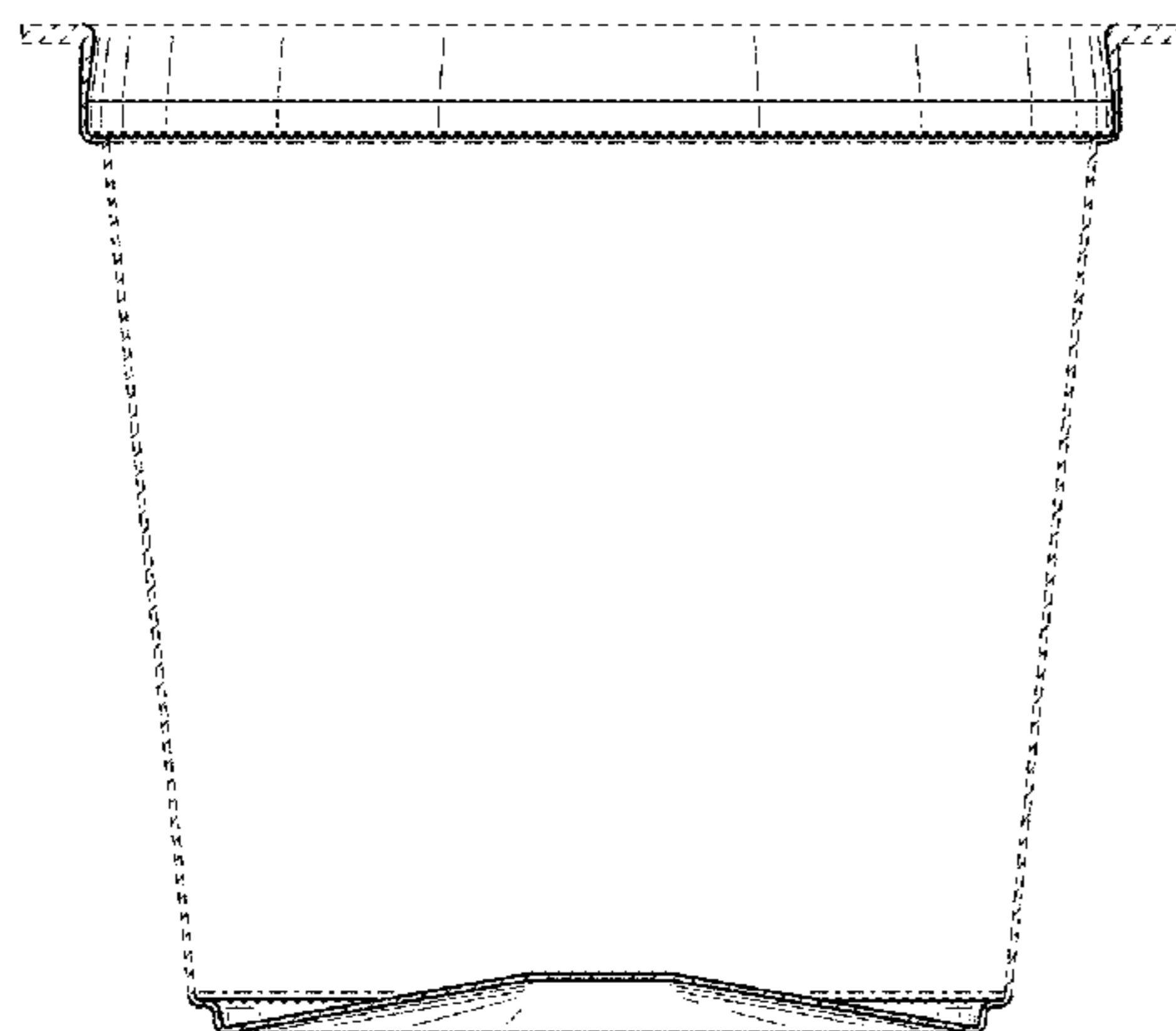
The ornamental design for a container with a cone-shaped base, as shown and described.

**DESCRIPTION**

FIG. 1 is a forward lower perspective view of a container with a cone-shaped base according to the present invention; FIG. 2 is a side view thereof; FIG. 3 is a cross-sectional side view thereof; FIG. 4 is a top view thereof; and, FIG. 5 is a bottom view thereof. The evenly-dashed broken lines in the drawings illustrate the portions of the container with cone-shaped base that form no part of the claimed design. The dash-dot broken lines represent boundary lines defining unclaimed subject matter and form no part of the claimed design.

**1 Claim, 3 Drawing Sheets**

(56) **References Cited**  
**U.S. PATENT DOCUMENTS**  
D20,336 S 11/1890 Whilldin  
D34,667 S 6/1901 Ney



(56)

References Cited

U.S. PATENT DOCUMENTS

D241,228 S	8/1976	Boduch	D622,147 S	8/2010	Pedmo
D243,358 S	2/1977	Gross	D623,063 S	9/2010	Pedmo
D244,063 S	4/1977	Christian	7,789,255 B2	9/2010	Zoppas
4,193,494 A	3/1980	Green	D626,829 S	11/2010	Touchet
D260,967 S	9/1981	Taylor	D628,442 S	12/2010	Lundberg
D270,332 S	8/1983	Gaunt	D628,476 S	12/2010	Vang
D272,418 S	1/1984	Gruodis et al.	D628,883 S	12/2010	Stephens
D280,075 S	8/1985	Haag, Sr.	D630,947 S	1/2011	Mashouf
D280,076 S	8/1985	Haag, Sr.	7,891,513 B2	2/2011	Mody et al.
4,685,273 A	8/1987	Caner et al.	D637,484 S	5/2011	Winkler
D292,883 S	11/1987	Griffin	7,981,451 B2	7/2011	Ozanne
4,859,337 A	8/1989	Woltermann	D643,734 S	8/2011	Perez
4,925,048 A	5/1990	Noack	D645,340 S	9/2011	Menard et al.
D314,704 S	2/1991	Lillelund et al.	D646,968 S	10/2011	Ortiz
D330,514 S	1/1992	Edwards	D647,398 S	10/2011	Winkler
D327,848 S	7/1992	Behm et al.	D647,399 S	10/2011	Winkler
D330,330 S	10/1992	Behm et al.	D648,212 S	11/2011	Golota et al.
5,232,120 A	8/1993	Dunken et al.	D649,405 S	11/2011	Lingo
5,325,765 A	7/1994	Sylvan et al.	D651,096 S	12/2011	Nakagiri
D351,790 S	10/1994	Haindl	D651,901 S	1/2012	Miller et al.
5,375,719 A	12/1994	Mittmann et al.	D652,266 S	1/2012	Smyers
5,419,439 A	5/1995	Powell	D656,009 S	3/2012	Ortiz et al.
D361,956 S	9/1995	Moore	8,127,663 B2	3/2012	Nottingham et al.
D364,564 S	11/1995	Moore	8,230,775 B2	7/2012	Vanni
D380,383 S	7/1997	Wiemann et al.	D683,545 S	6/2013	Refior
D390,460 S	2/1998	Schmidt	D684,065 S	6/2013	Wiseman
D391,482 S	3/1998	Wiemann et al.	D686,916 S	7/2013	O'Brien et al.
D398,528 S	9/1998	Wiemann et al.	D687,297 S	8/2013	O'Brien et al.
D399,452 S	10/1998	Durbin	D689,768 S	9/2013	Inderbitzin
5,840,189 A	11/1998	Slyvan et al.	8,529,974 B2	9/2013	Ortiz
D405,386 S	2/1999	Ross	D695,110 S	12/2013	Houlton et al.
5,992,632 A	11/1999	Karren	D695,615 S	12/2013	Rapparini
6,024,244 A	2/2000	Hicks	D698,649 S	2/2014	Quint
6,086,931 A	7/2000	Whiteford	D700,839 S	3/2014	O'Brien et al.
6,134,832 A	10/2000	Bokmiller et al.	D712,203 S	9/2014	Lordi
6,138,862 A	10/2000	Tai	D715,649 S	10/2014	O'Brien
D435,216 S	12/2000	Paoloski	D730,174 S	5/2015	O'Brien
D438,794 S	3/2001	Miles et al.	D730,734 S	6/2015	Rapparini
D452,434 S	12/2001	Sweeney	D731,884 S	6/2015	Trombetta
6,440,256 B1	8/2002	Gordon et al.	D731,890 S	6/2015	Trombetta
D474,110 S	5/2003	Sweeney	D732,390 S	6/2015	Trombetta
D474,111 S	5/2003	Lazaris	D732,949 S	6/2015	Schroeder
6,589,577 B2	7/2003	Lazaris	D733,555 S	7/2015	Brady
6,607,762 B2	8/2003	Lazaris et al.	D737,678 S	9/2015	Danenberg
6,645,537 B2	11/2003	Sweeney et al.	D740,655 S	10/2015	Maki
D484,809 S	1/2004	Pascuzzo	D753,491 S	4/2016	Trombetta
6,810,788 B2	11/2004	Hale	D756,785 S	5/2016	Bartoli
6,837,377 B2	1/2005	Shuert	D761,108 S	7/2016	Trombetta
D502,362 S	3/2005	Lazaris et al.	D769,726 S	10/2016	Trombetta
D502,870 S	3/2005	Bennett et al.	D770,286 S	11/2016	Trombetta
D504,814 S	5/2005	Bretz et al.	9,657,155 B2 *	5/2017	O'Brien ..... C08K 3/34
D505,882 S	6/2005	Hensen	D798,718 S *	10/2017	Foster ..... D9/500
D519,831 S	5/2006	de Cleir et al.	D815,925 S *	4/2018	Rapparini ..... D7/630
D522,368 S	6/2006	Darr et al.	9,932,168 B2 *	4/2018	Hansen ..... B65D 85/8043
D528,422 S	9/2006	Darr et al.	2002/0112983 A1	8/2002	Padovani
D530,615 S	10/2006	Darr et al.	2002/0134701 A1	9/2002	Olsthoorn et al.
D532,293 S	11/2006	Martin	2004/0173565 A1	9/2004	Semersky et al.
D532,307 S	11/2006	Durand	2005/0017013 A1	1/2005	Peisach et al.
D541,147 S	4/2007	LaMasney	2005/0051478 A1	3/2005	Karanikos
7,204,056 B2	4/2007	Sieverding	2005/0173287 A1	8/2005	Smith et al.
D554,507 S	11/2007	Laupie	2009/0194546 A1	8/2009	Lane
D554,508 S	11/2007	YunFu	2009/0200301 A1	8/2009	Beekman et al.
D562,726 S	2/2008	Courson et al.	2010/0018889 A1	1/2010	Korpanty et al.
D574,242 S	8/2008	Lin	2010/0064899 A1	3/2010	Aardenburg
D577,288 S	9/2008	Wilson et al.	2010/0072165 A1	3/2010	Schau
D595,581 S	7/2009	Brunson	2010/0288131 A1	11/2010	Kilber
D603,221 S	11/2009	Liu et al.	2010/0288133 A1	11/2010	Litzka et al.
D605,502 S	12/2009	Honda et al.	2010/0303964 A1	12/2010	Beaulieu et al.
D606,363 S	12/2009	Aardenburg	2010/0303965 A1	12/2010	Mariller
7,624,535 B2	12/2009	Schmidt	2011/0076361 A1	3/2011	Peterson et al.
7,624,673 B2	12/2009	Zanetti	2011/0147392 A1	6/2011	Trude et al.
D607,329 S	1/2010	Diss	2011/0151075 A1	6/2011	Peterson
7,677,435 B2	3/2010	Stahlecker	2011/0183048 A1	7/2011	Noble
D616,704 S	6/2010	Hou	2011/0240506 A1	10/2011	D'Amato
D620,310 S	7/2010	Lundberg	2011/0259205 A1	10/2011	Delome
			2011/0283890 A1	11/2011	Scrivani
			2011/0305801 A1	12/2011	Beer
			2012/0006205 A1	1/2012	Vanni
			2012/0012647 A1	1/2012	Almabekov

(56)

**References Cited**

U.S. PATENT DOCUMENTS

2012/0055832	A1	3/2012	Riethmueller	
2012/0058226	A1	3/2012	Winkler	
2012/0097602	A1	4/2012	Tedford	
2012/0121764	A1	5/2012	Lai et al.	
2012/0121768	A1	5/2012	Lai et al.	
2012/0171332	A1	7/2012	Lai et al.	
2012/0201933	A1	8/2012	Dran et al.	
2014/0141140	A1*	5/2014	Bugnano .....	A47J 31/30 426/431
2014/0308406	A1*	10/2014	O'Brien .....	C08K 3/34 426/115
2014/0377413	A1	12/2014	Liu	
2017/0121050	A1	5/2017	Foster et al.	

\* cited by examiner

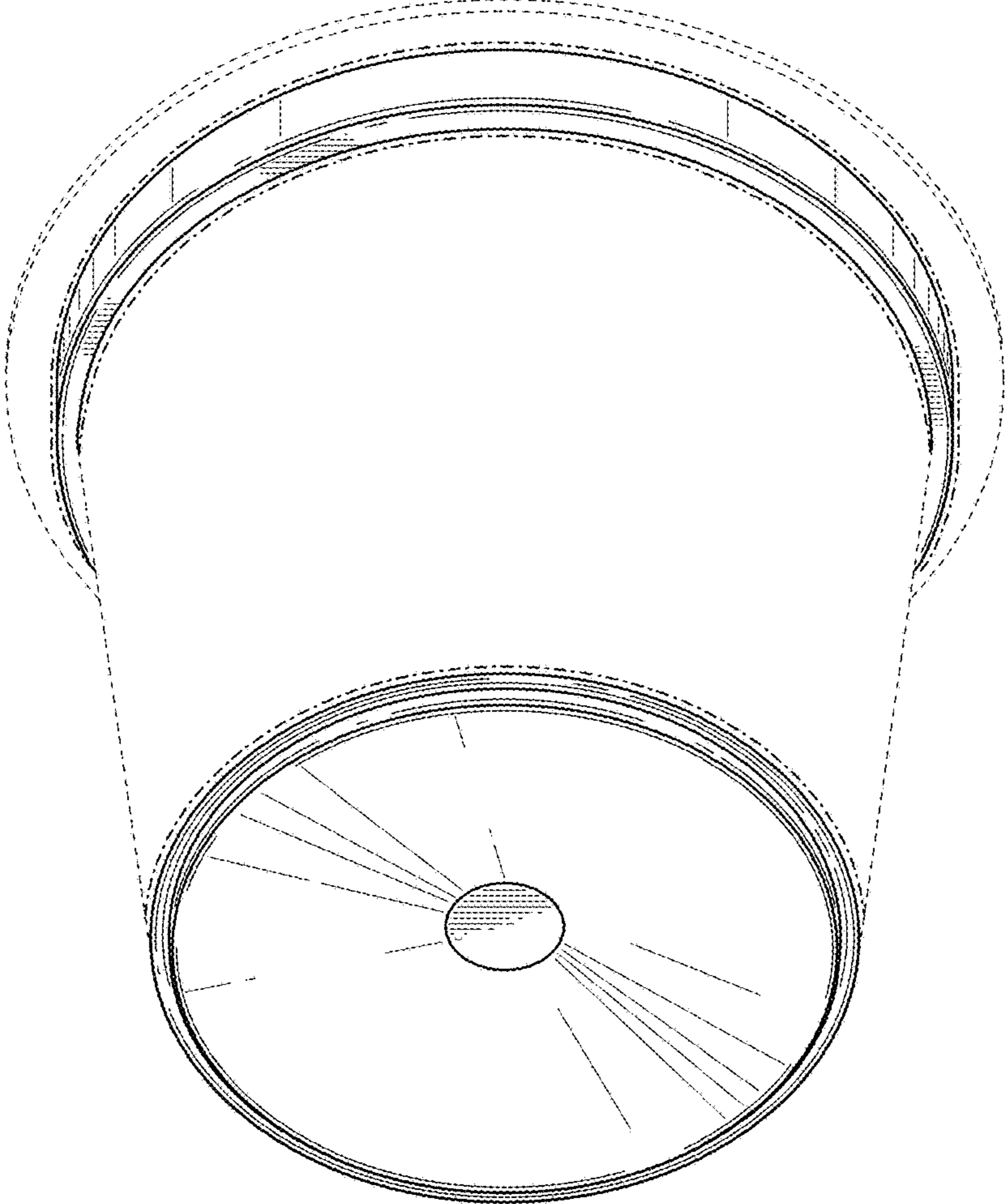


FIG. 1

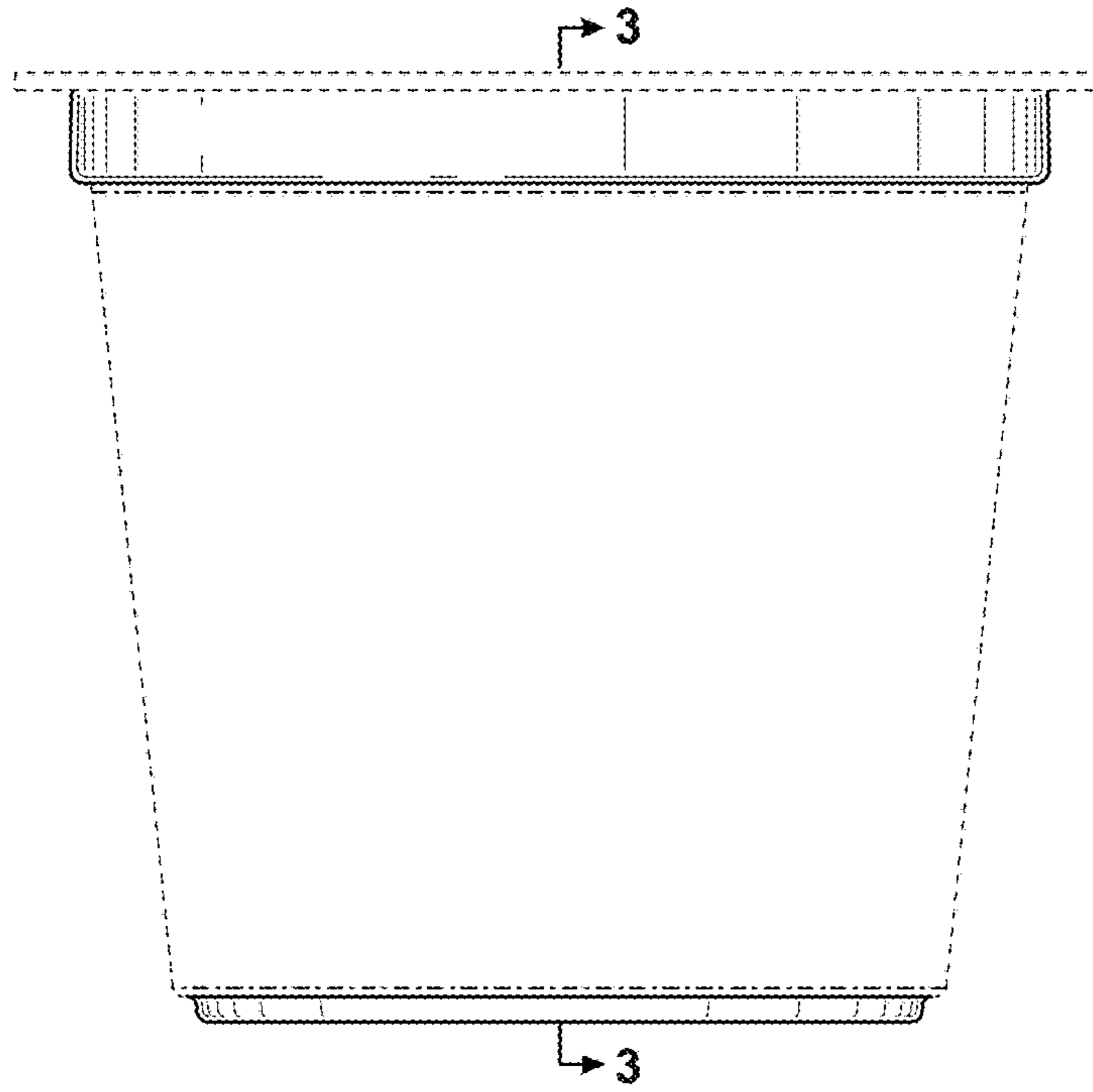


FIG. 2

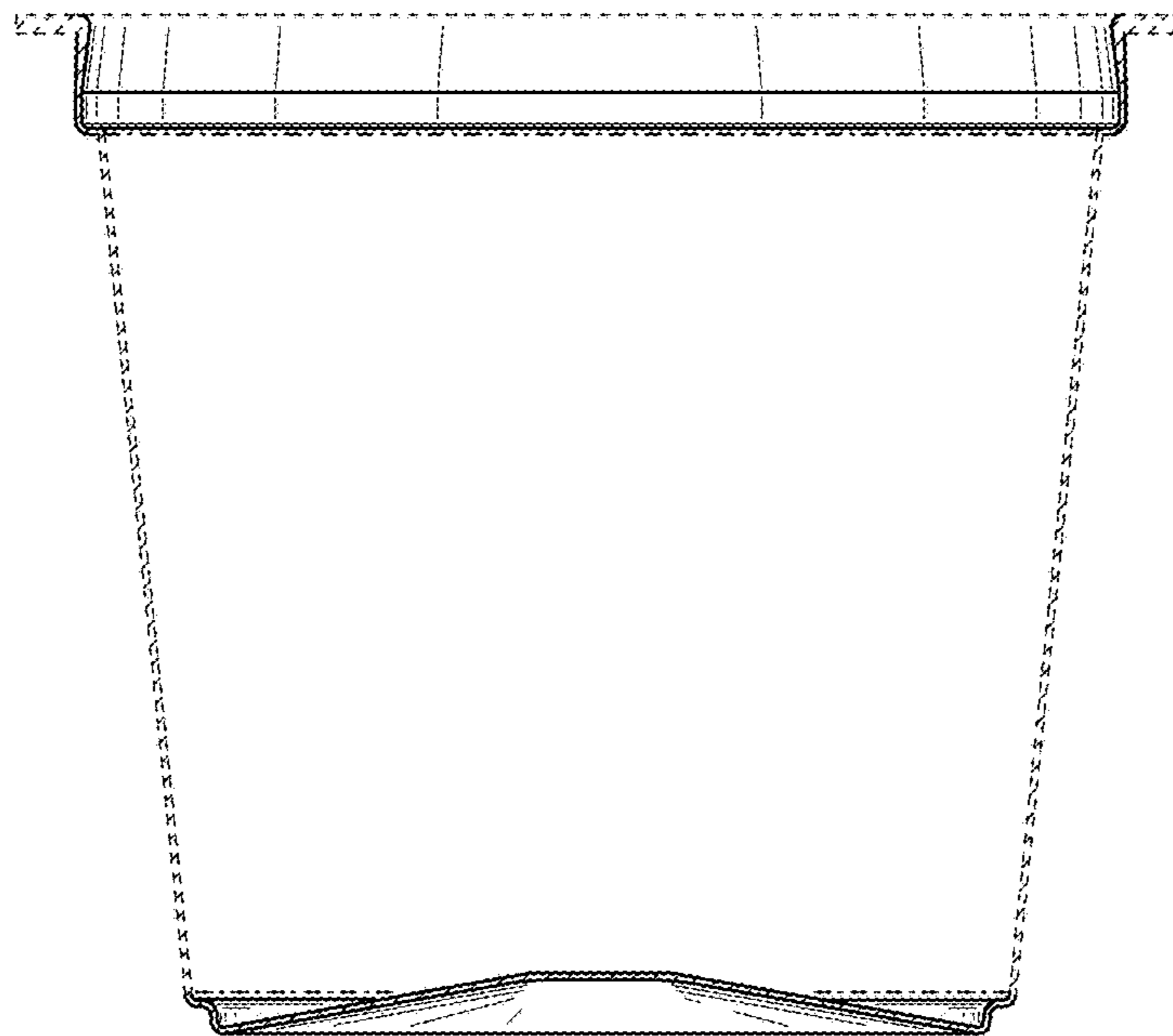
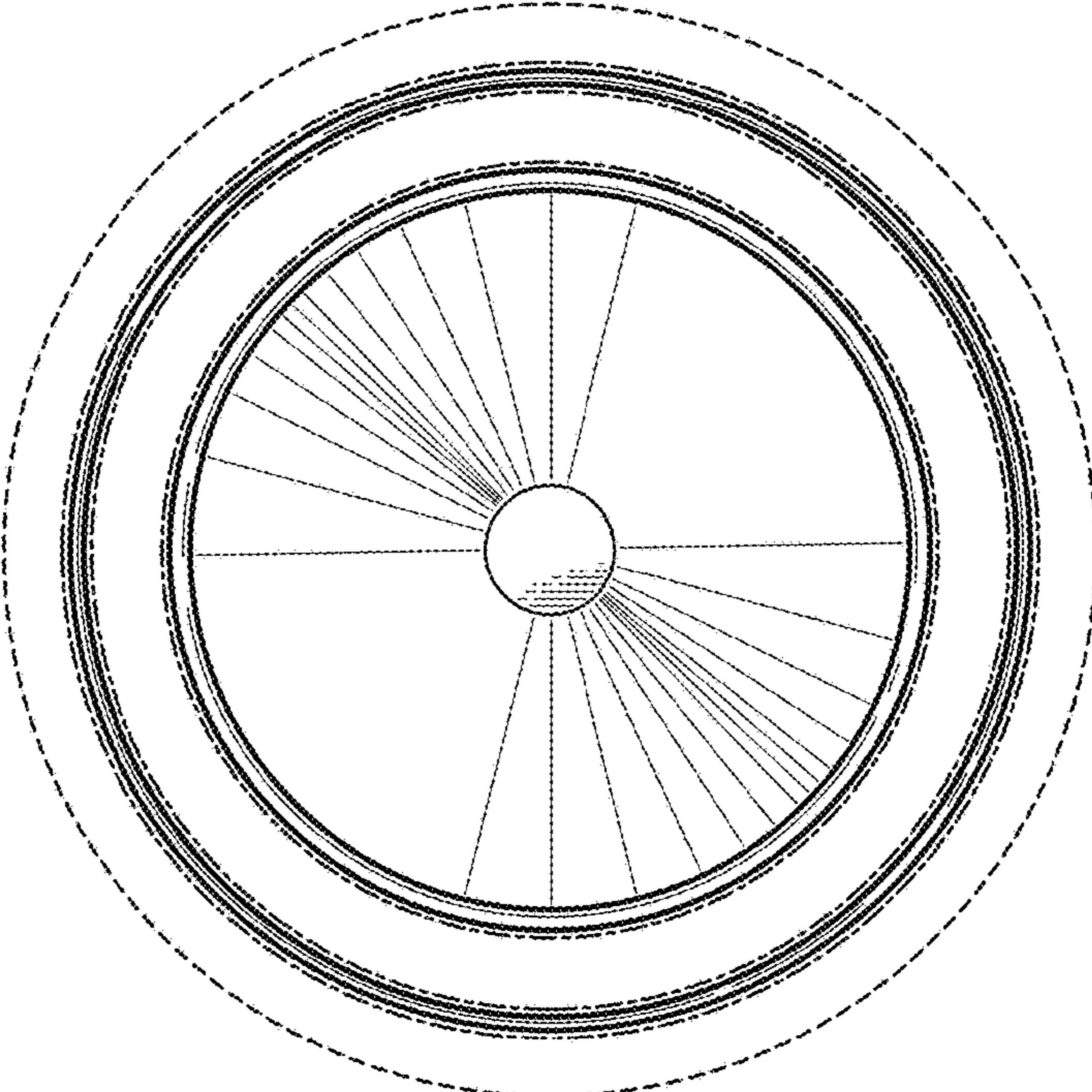


FIG. 3

**FIG. 4**



**FIG. 5**

